



US00D454143S

(12) **United States Design Patent**
Åsberg

(10) **Patent No.:** **US D454,143 S**

(45) **Date of Patent:** **** Mar. 5, 2002**

(54) **DRILL BIT**

(75) Inventor: **Bengt Åsberg**, Åshammar (SE)

(73) Assignee: **Sandvik AB**, Sandviken (SE)

(**) Term: **14 Years**

(21) Appl. No.: **29/130,140**

(22) Filed: **Sep. 29, 2000**

(30) **Foreign Application Priority Data**

Mar. 29, 2000 (SE) 00-0622

(51) **LOC (7) Cl.** **15-09**

(52) **U.S. Cl.** **D15/139**

(58) **Field of Search** D15/138, 139;
175/415, 417, 385, 418; 299/79; 407/118

(56) **References Cited**

U.S. PATENT DOCUMENTS

5,366,032 A * 11/1994 Kay 175/415

D382,887 S * 8/1997 Hollar et al. D15/139

6,105,693 A * 8/2000 Ingmarsson 175/414

6,276,467 B1 * 8/2001 Ingmarsson 175/415

* cited by examiner

Primary Examiner—Antoine Duval Davis

(74) *Attorney, Agent, or Firm*—Burns, Doane, Swecker & Mathis, L.L.P.

(57) **CLAIM**

The ornamental design for a drill bit, as shown and described.

DESCRIPTION

FIG. 1 is a rear, side perspective view of a drill bit showing my new design;

FIG. 2 is a rear elevational view thereof;

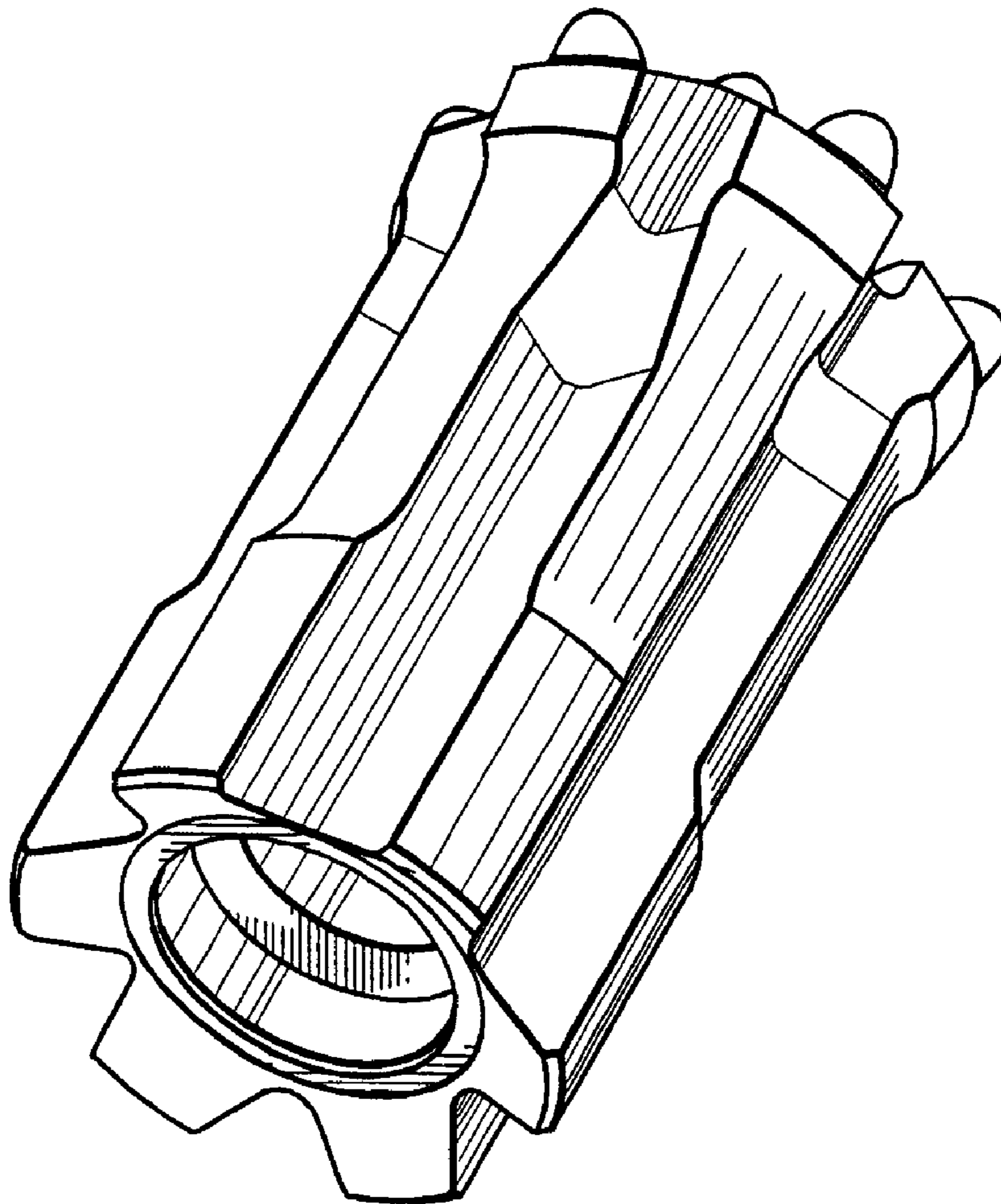
FIG. 3 is a front elevational view thereof;

FIG. 4 is a side elevational view thereof;

FIG. 5 is a further side elevational view thereof; and,

FIG. 6 is still a further side elevational view thereof.

1 Claim, 2 Drawing Sheets



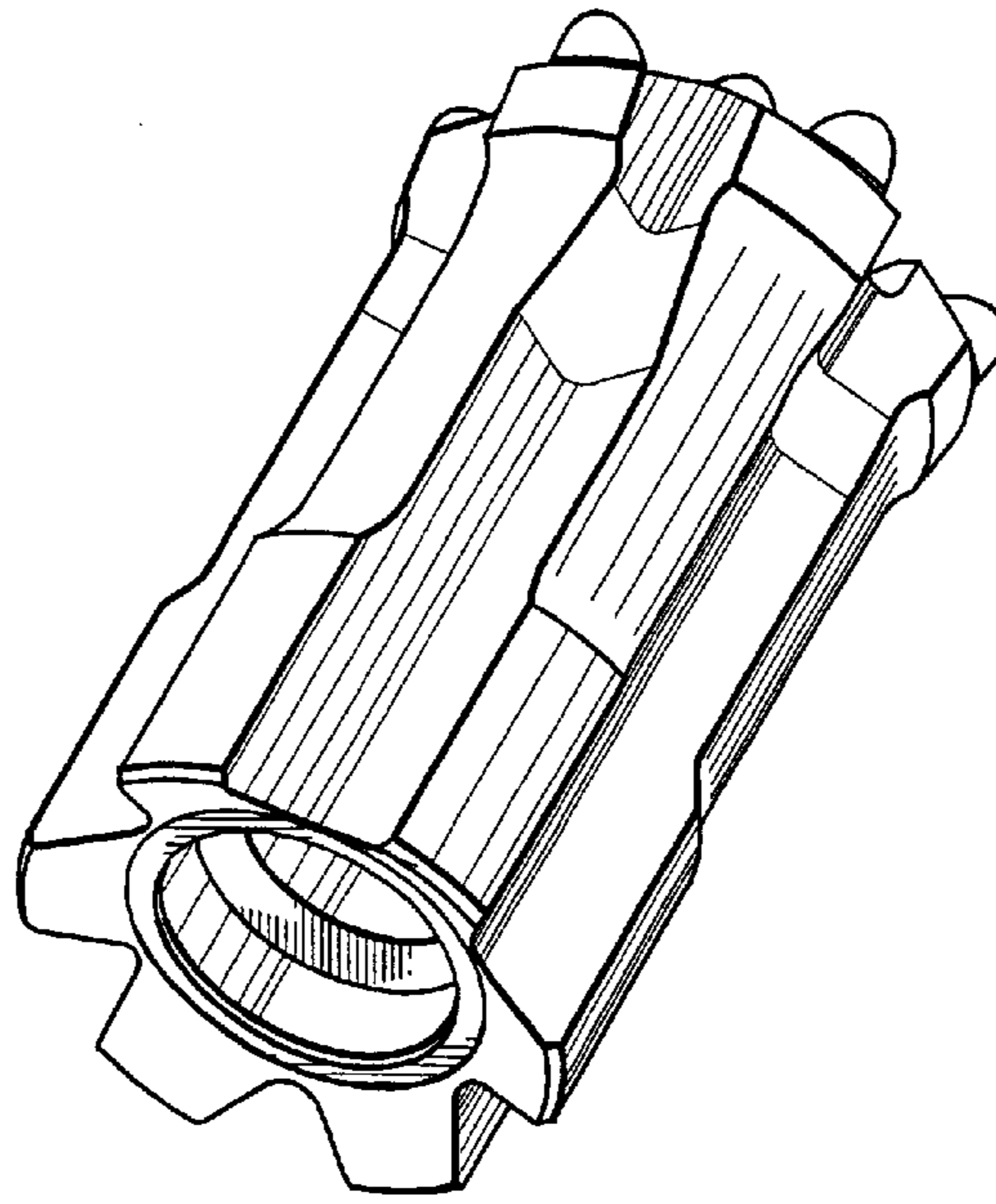


FIG. 1

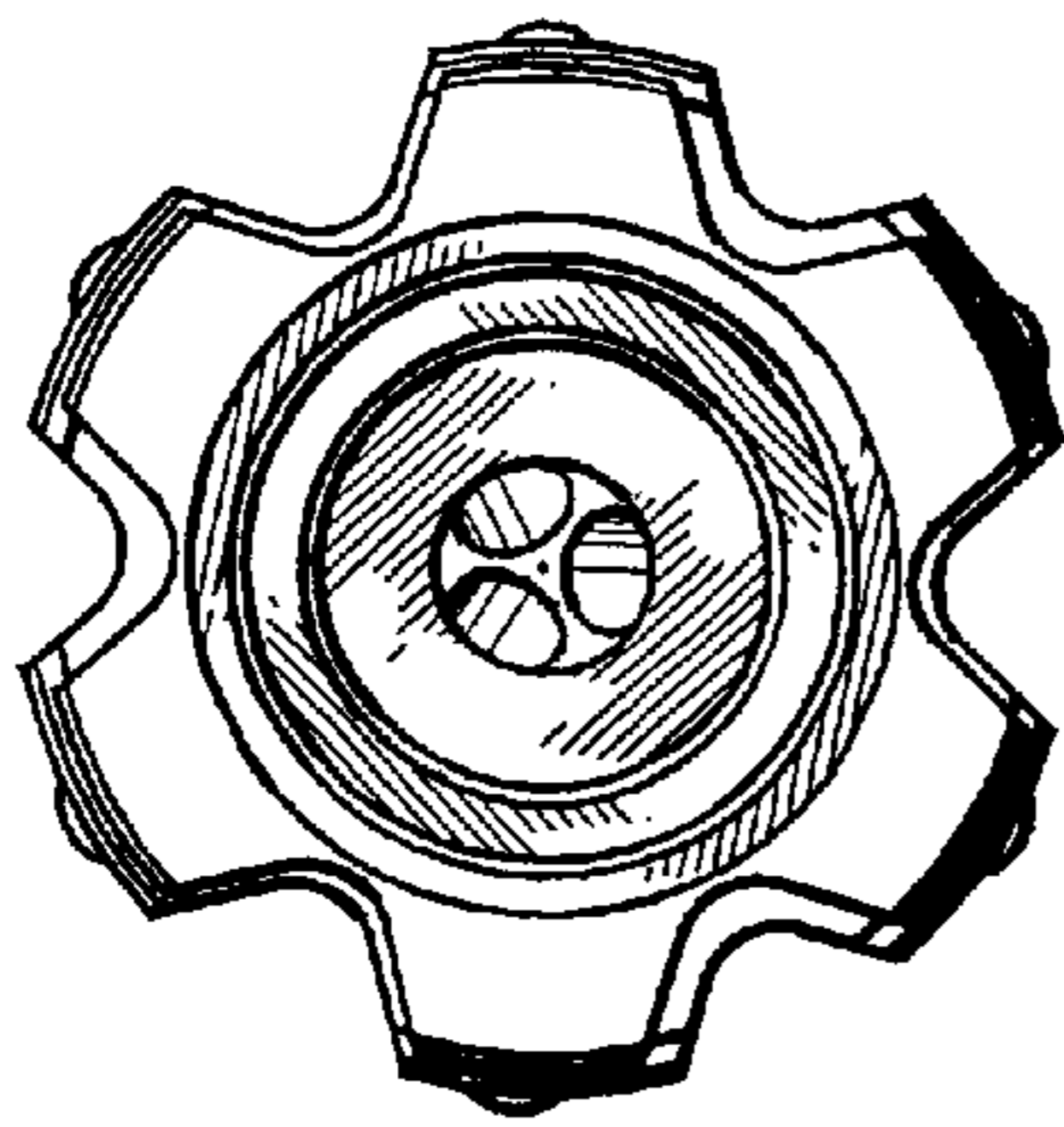


FIG. 2

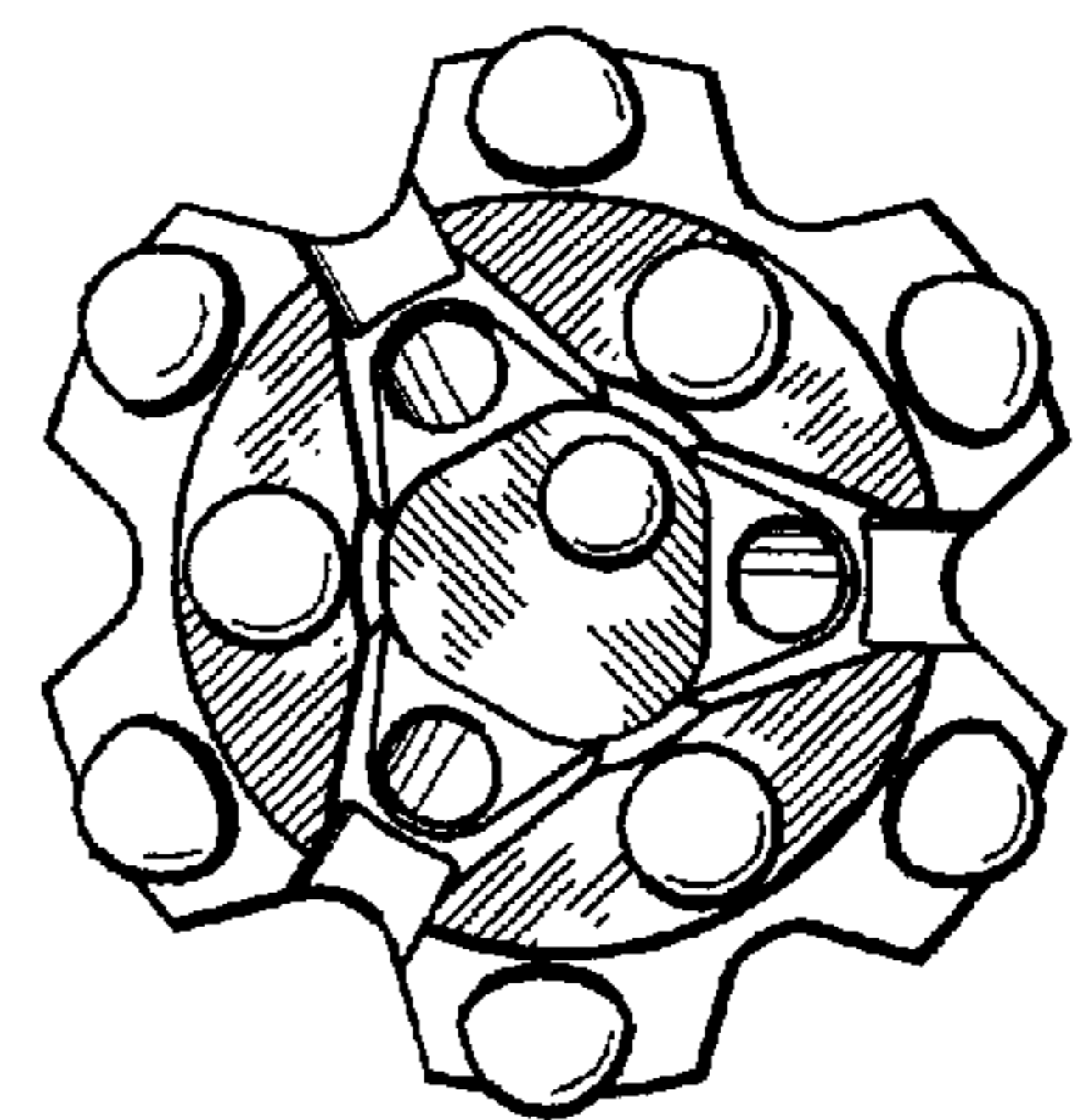


FIG. 3

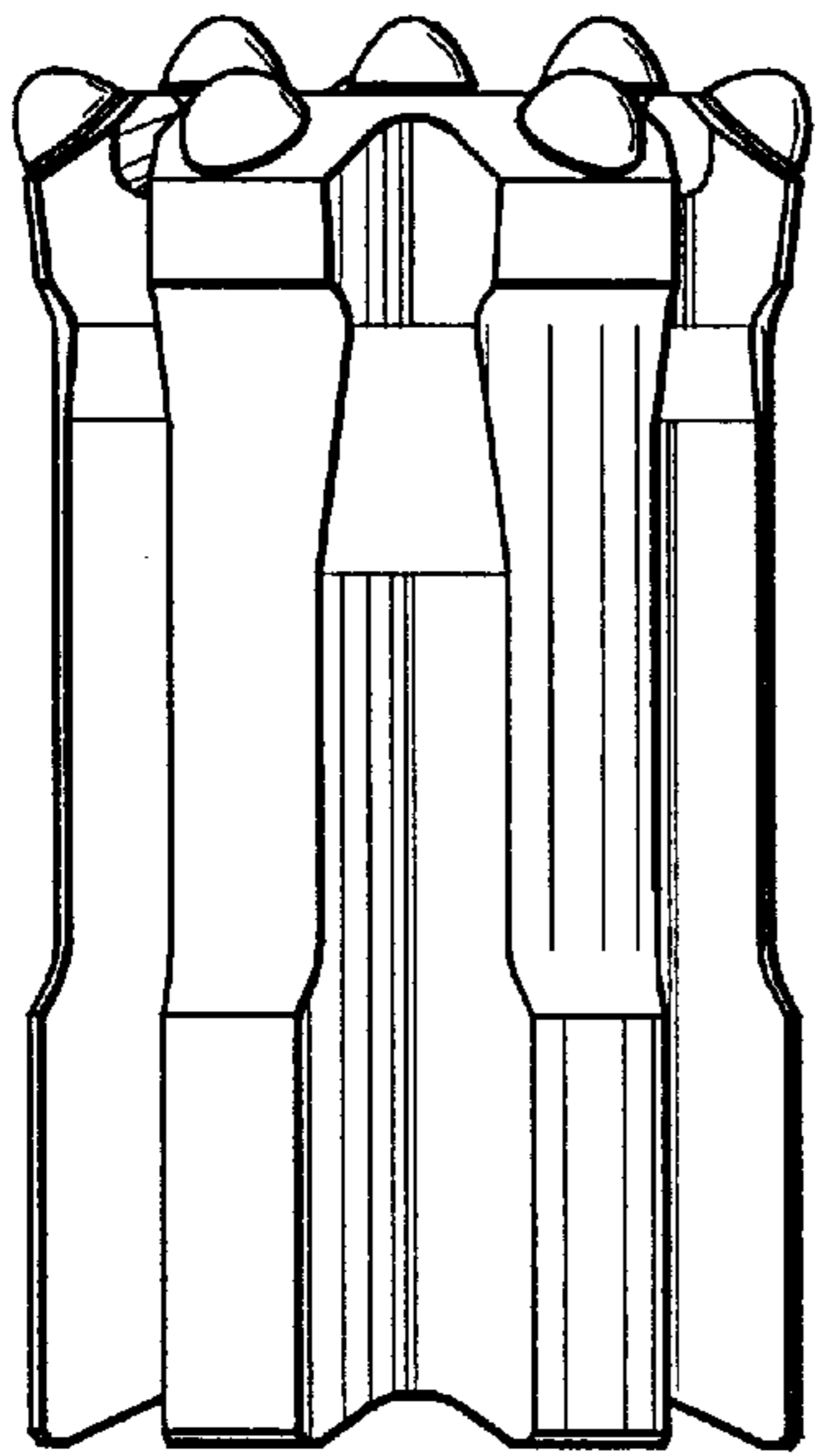


FIG. 4

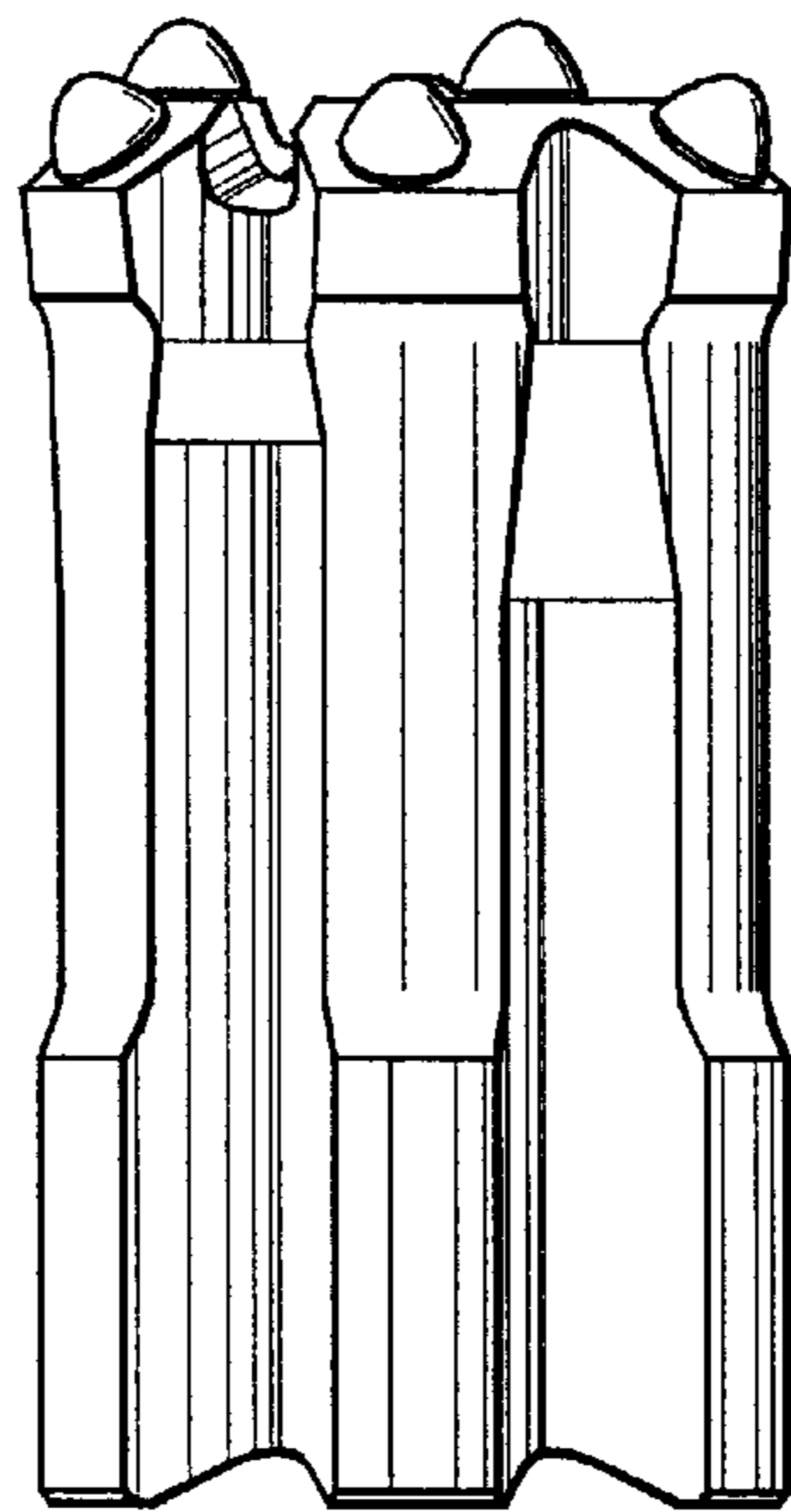


FIG. 5

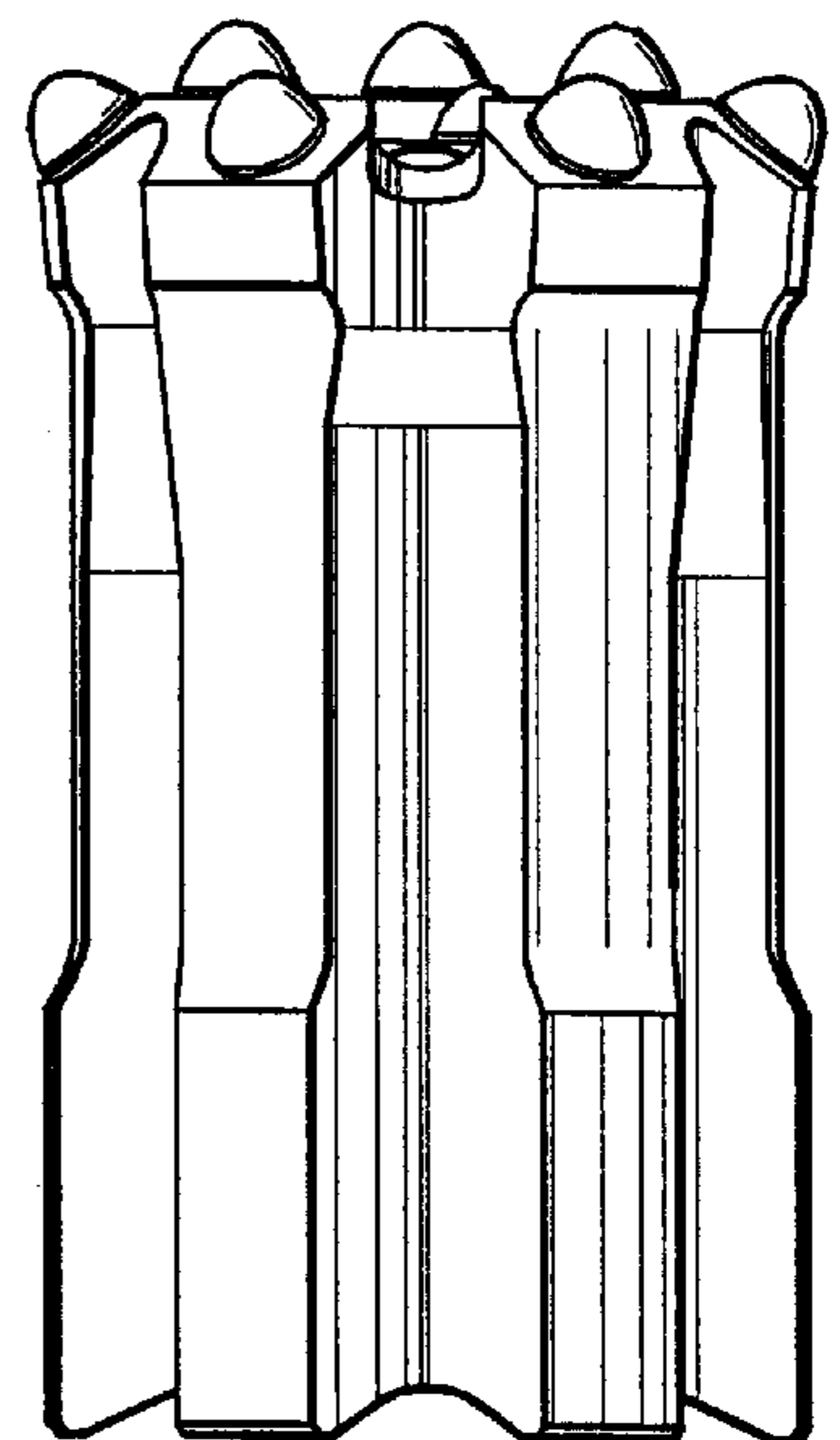


FIG. 6