



US00D454141S

(12) **United States Design Patent**
Geier et al.

(10) **Patent No.:** **US D454,141 S**
(45) **Date of Patent:** **** Mar. 5, 2002**

(54) **VIBRATORY TRENCH ROLLER**
(75) Inventors: **Daniel Geier**, Colgate; **Ronald Brinkmann**, Hartford; **Jay Baudhuin**, Mayville; **Steven F. Thiel**, Colgate; **Scott H. Micoley**, Cedarburg, all of WI (US)

(73) Assignee: **Wacker Corporation**, Menomonee Falls, WI (US)

(**) Term: **14 Years**

(21) Appl. No.: **29/134,073**

(22) Filed: **Dec. 13, 2000**

(51) **LOC (7) Cl.** **15-03**

(52) **U.S. Cl.** **D15/20**

(58) **Field of Search** D15/20; 180/20, 180/89.12; 404/121, 124, 89

(56) **References Cited**

U.S. PATENT DOCUMENTS

3,269,285 A * 8/1966 Lathers 401/124
D208,694 S * 9/1967 Harbke D15/20

D208,996 S * 10/1967 Caron D15/20
3,650,185 A * 3/1972 Takata 404/121
3,910,711 A * 10/1975 Moorehead 404/89
D396,727 S * 8/1998 Geier et al. D15/20

* cited by examiner

Primary Examiner—Mitchell Siegel

(74) *Attorney, Agent, or Firm*—Boyle Fredrickson Newholm Stein & Gratz S.C.

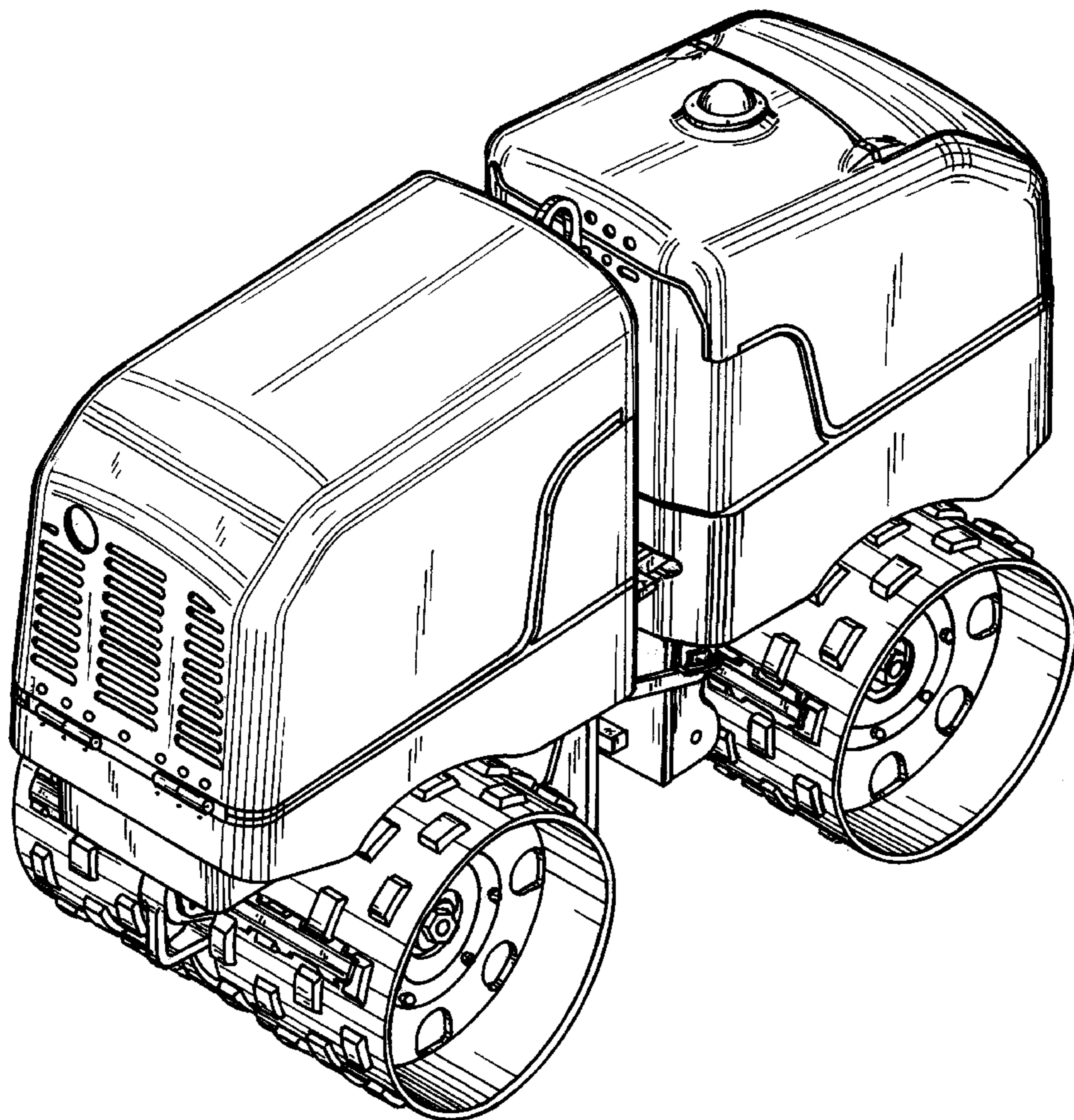
(57) **CLAIM**

The ornamental design for a vibratory trench roller, as shown and described.

DESCRIPTION

FIG. 1 is a perspective view of a vibratory trench roller incorporating our new design, viewed from in front of, above, and from the left side of the vibratory trench roller; FIG. 2 is a right-side elevation view thereof; FIG. 3 is a left-side elevation view thereof; FIG. 4 is a front elevation view thereof; FIG. 5 is a rear elevation view thereof; FIG. 6 is a top plan view thereof; and, FIG. 7 is a bottom plan view thereof.

1 Claim, 6 Drawing Sheets



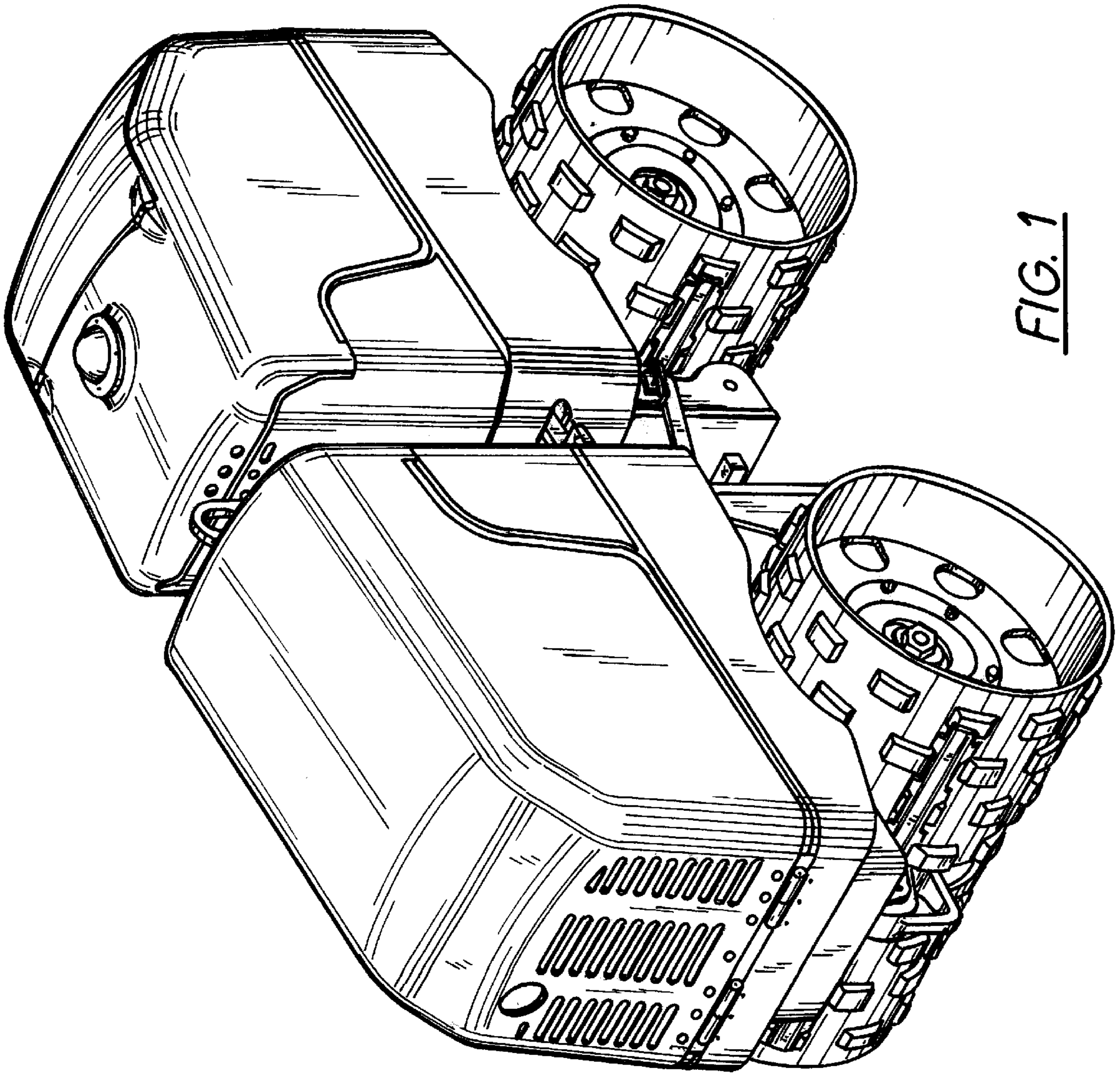


FIG. 1

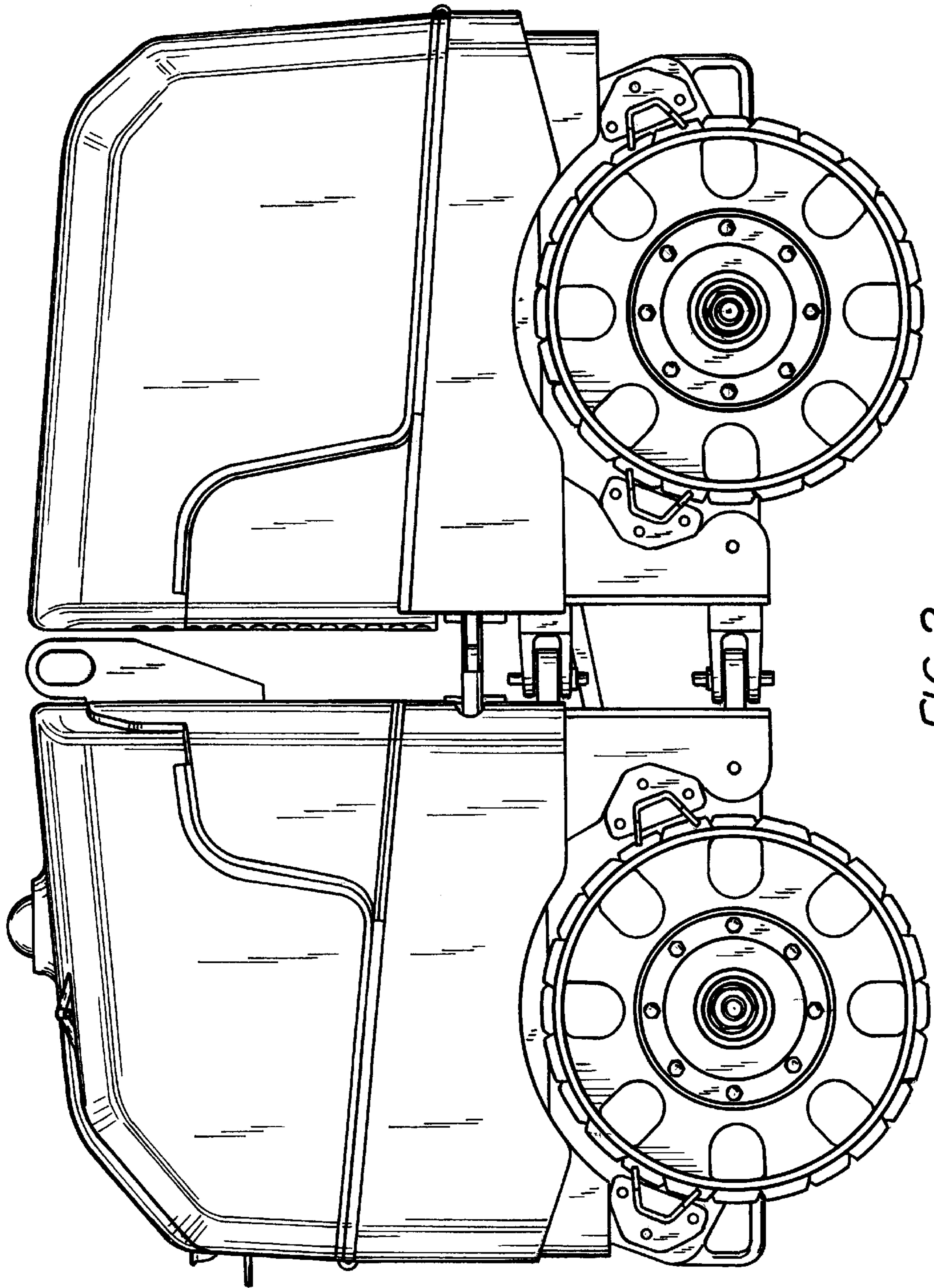


FIG. 2

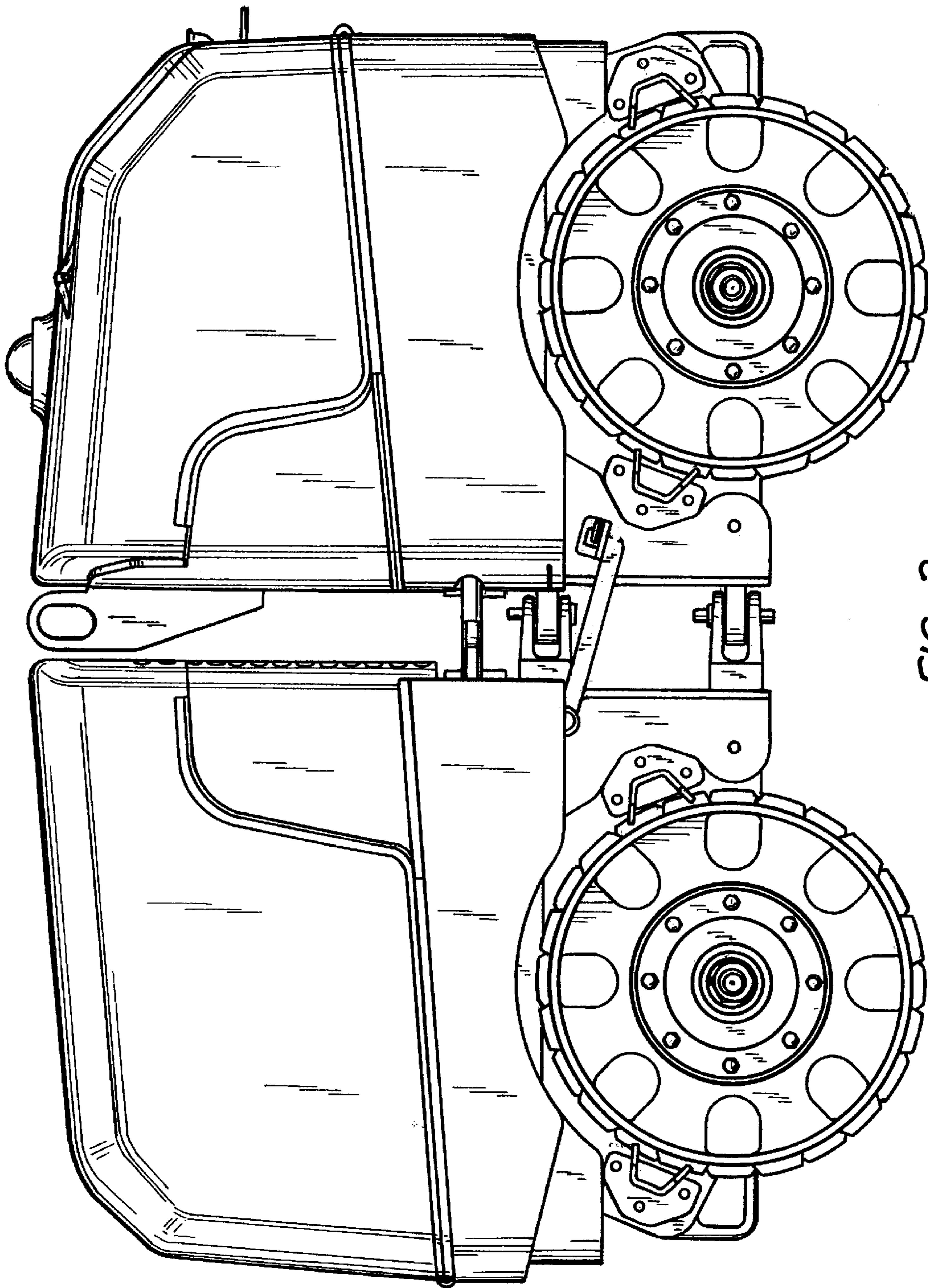


FIG. 3

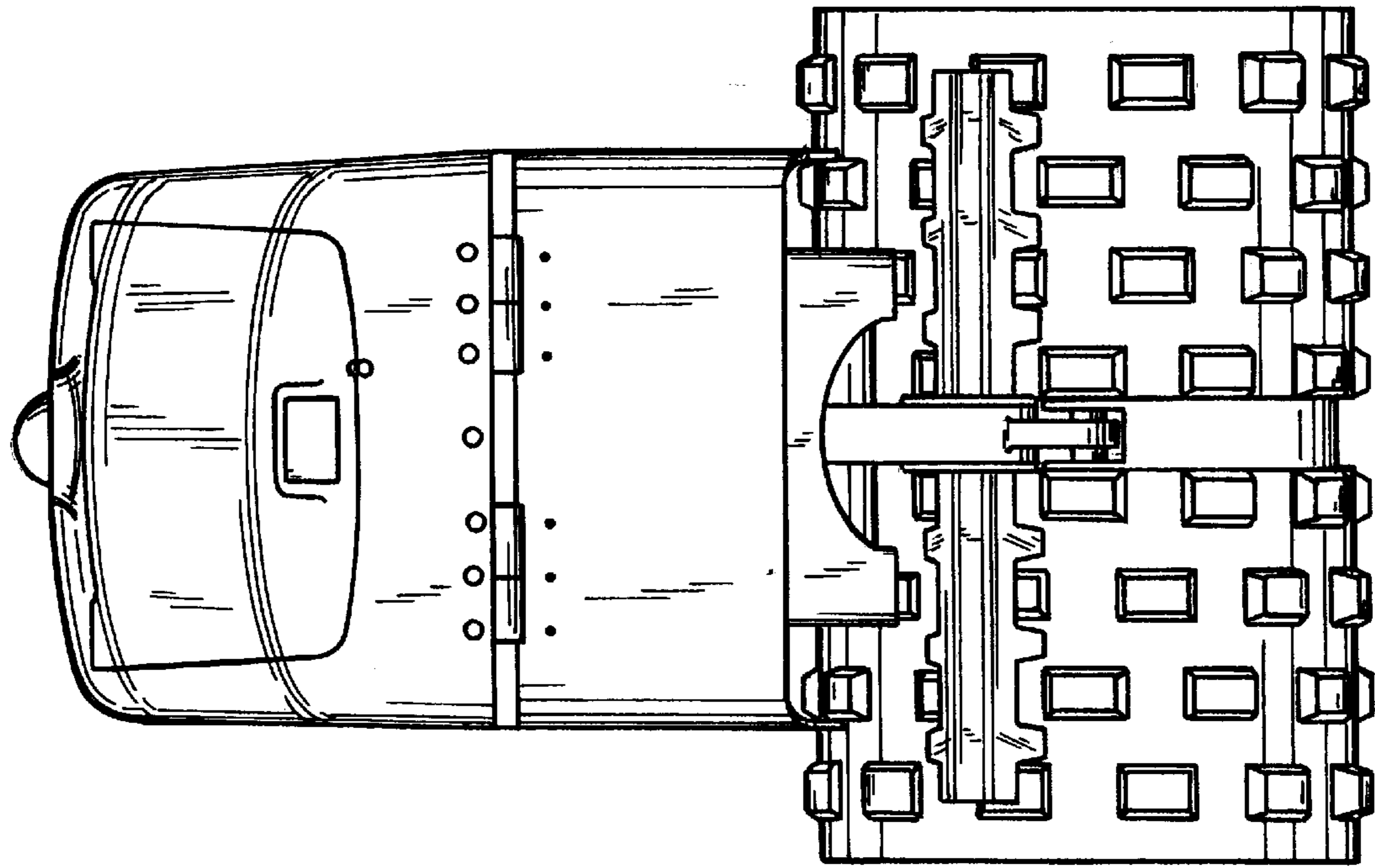


FIG. 5

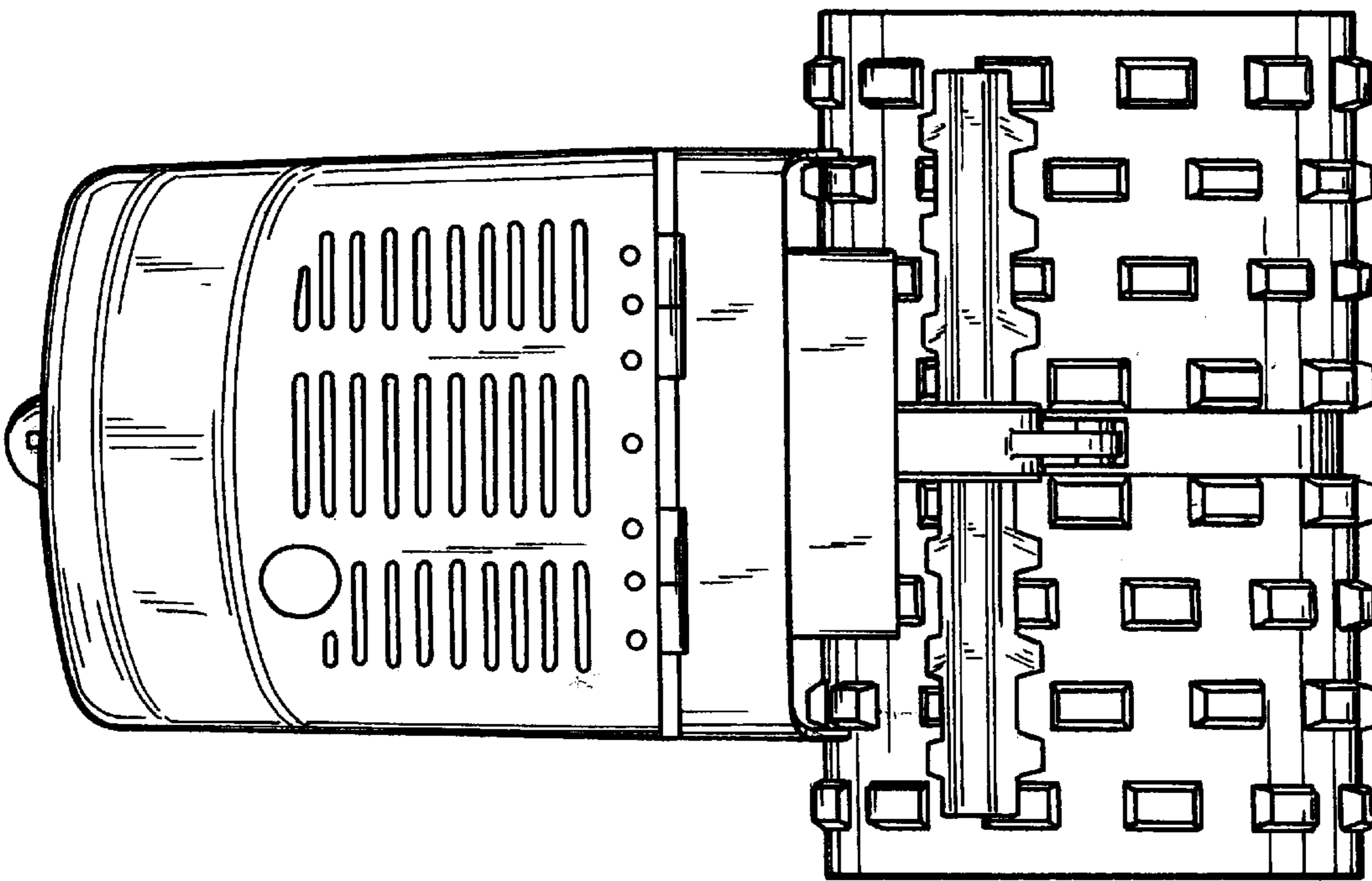


FIG. 4

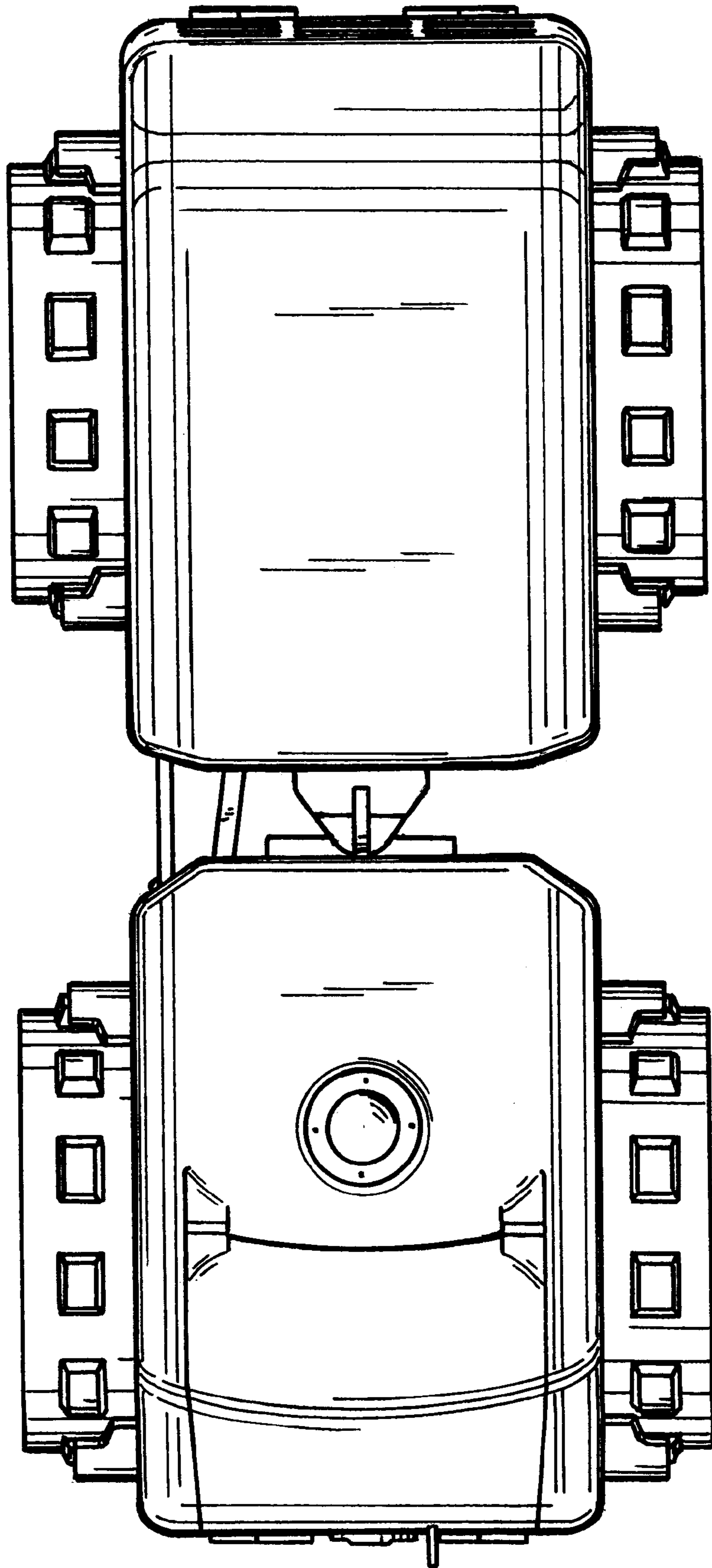


FIG. 6

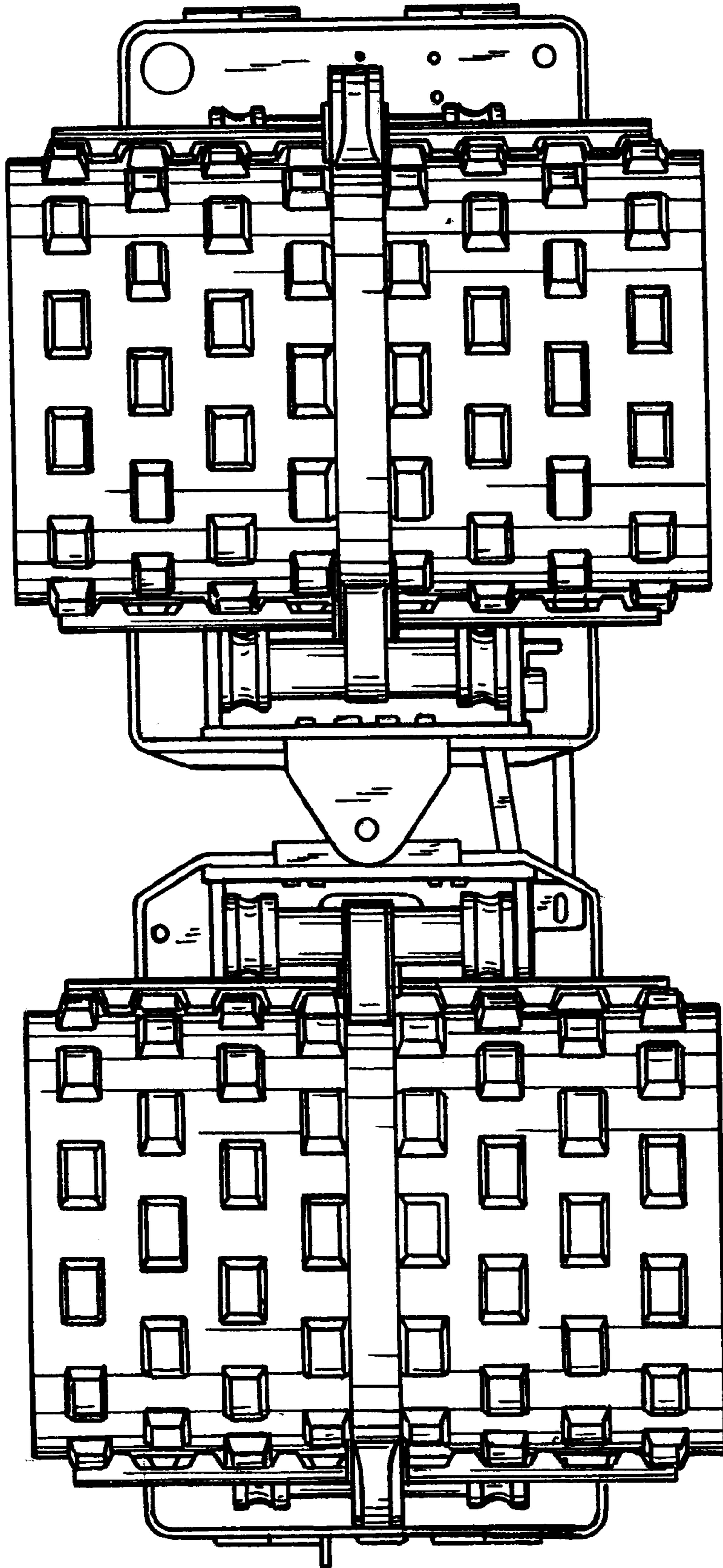


FIG. 7