



US00D454136S

(12) **United States Design Patent**
Deuschle

(10) **Patent No.:** **US D454,136 S**

(45) **Date of Patent:** **** Mar. 5, 2002**

(54) **REMOVABLE STAND FOR A SIGNATURE CAPTURE TERMINAL**

Primary Examiner—M. H. Tung
(74) *Attorney, Agent, or Firm*—Willie Krawitz

(76) **Inventor:** **Basil C. Deuschle**, 17885 Skypark Cir., Suite "B", Irvine, CA (US) 92614-6307

(57) **CLAIM**

(**) **Term:** **14 Years**

The ornamental design for a removable stand for a signature capture terminal, as shown and described.

(21) **Appl. No.:** **29/121,604**

DESCRIPTION

(22) **Filed:** **Apr. 11, 2000**

(51) **LOC (7) Cl.** **14-02**

(52) **U.S. Cl.** **D14/447**

(58) **Field of Search** D14/447, 451, D14/432; D18/12, 4.4, 4.5, 4.6; 248/346.01, 346.02, 917-24; 361/686, 679-85; D13/184, 199; D6/449, 491, 445, 451-2, 512

FIG. 1 is a left side elevation view of a removable stand for a signature capture terminal showing my design;

FIG. 2 is a front elevation view thereof;

FIG. 3 is a rear elevation view thereof;

FIG. 4 is a right side elevation view thereof;

FIG. 5 is a perspective view thereof, on an enlarged scale, the broken line drawing of a signature capture terminal is for illustrative purposes only and forms no part of the claimed design;

(56) **References Cited**

U.S. PATENT DOCUMENTS

- D316,709 S * 5/1991 Howard et al.
- D323,085 S * 1/1992 Konkel
- D355,437 S * 2/1995 Reph
- D358,144 S * 5/1995 Masaaki
- D372,492 S * 8/1996 Stanton
- D394,172 S * 5/1998 Kubo et al.
- D409,018 S * 5/1999 Deuschle

FIG. 6 is a perspective view of a second embodiment thereof, on an enlarged scale.

FIG. 7 is a left side elevation view of FIG. 6, thereof;

FIG. 8 is a front elevation view of FIG. 6, thereof;

FIG. 9 is a rear elevation view of FIG. 6, thereof; and,

FIG. 10 is a right side elevation view of FIG. 6, thereof.

* cited by examiner

1 Claim, 3 Drawing Sheets

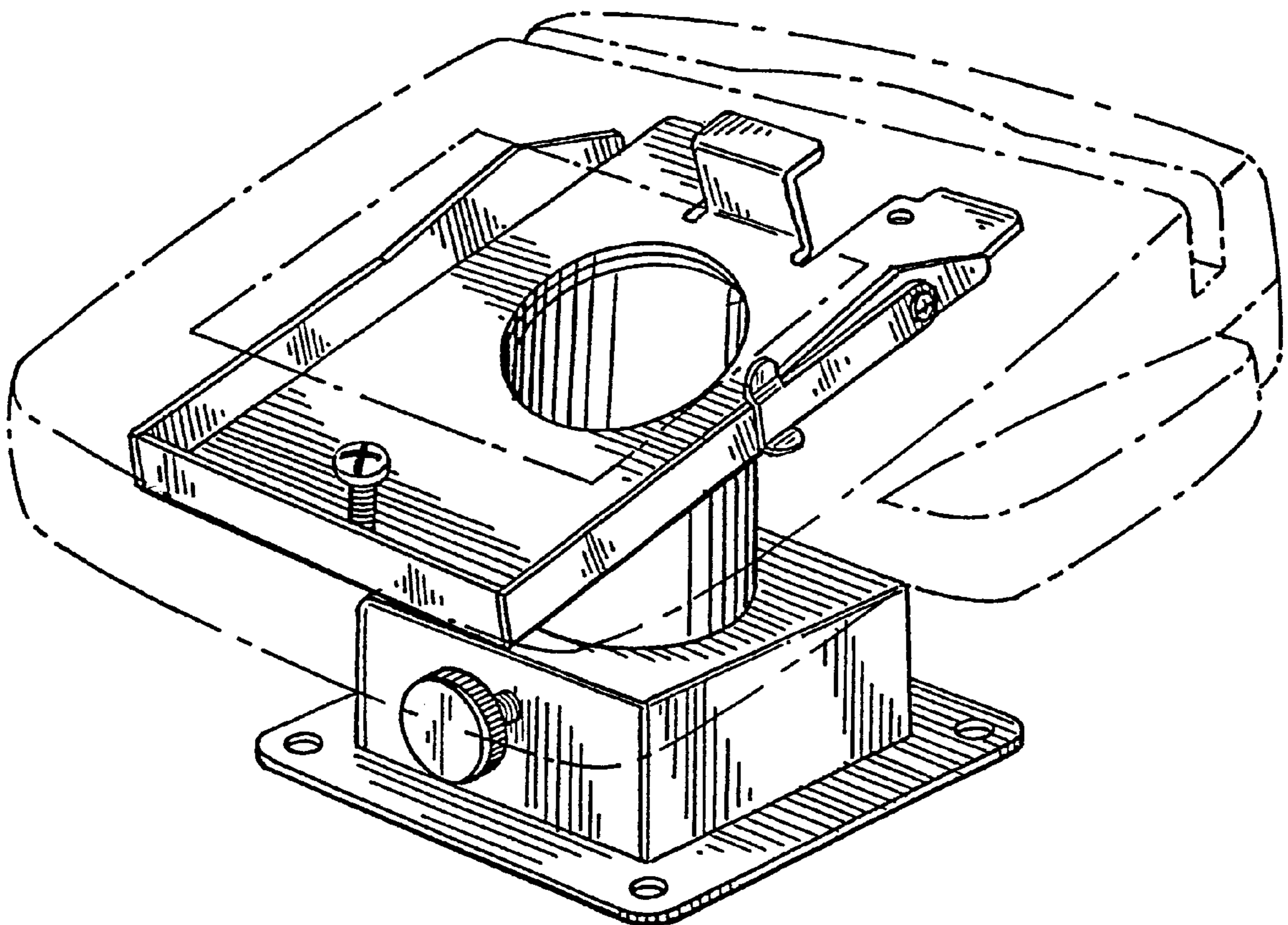


FIG. 1

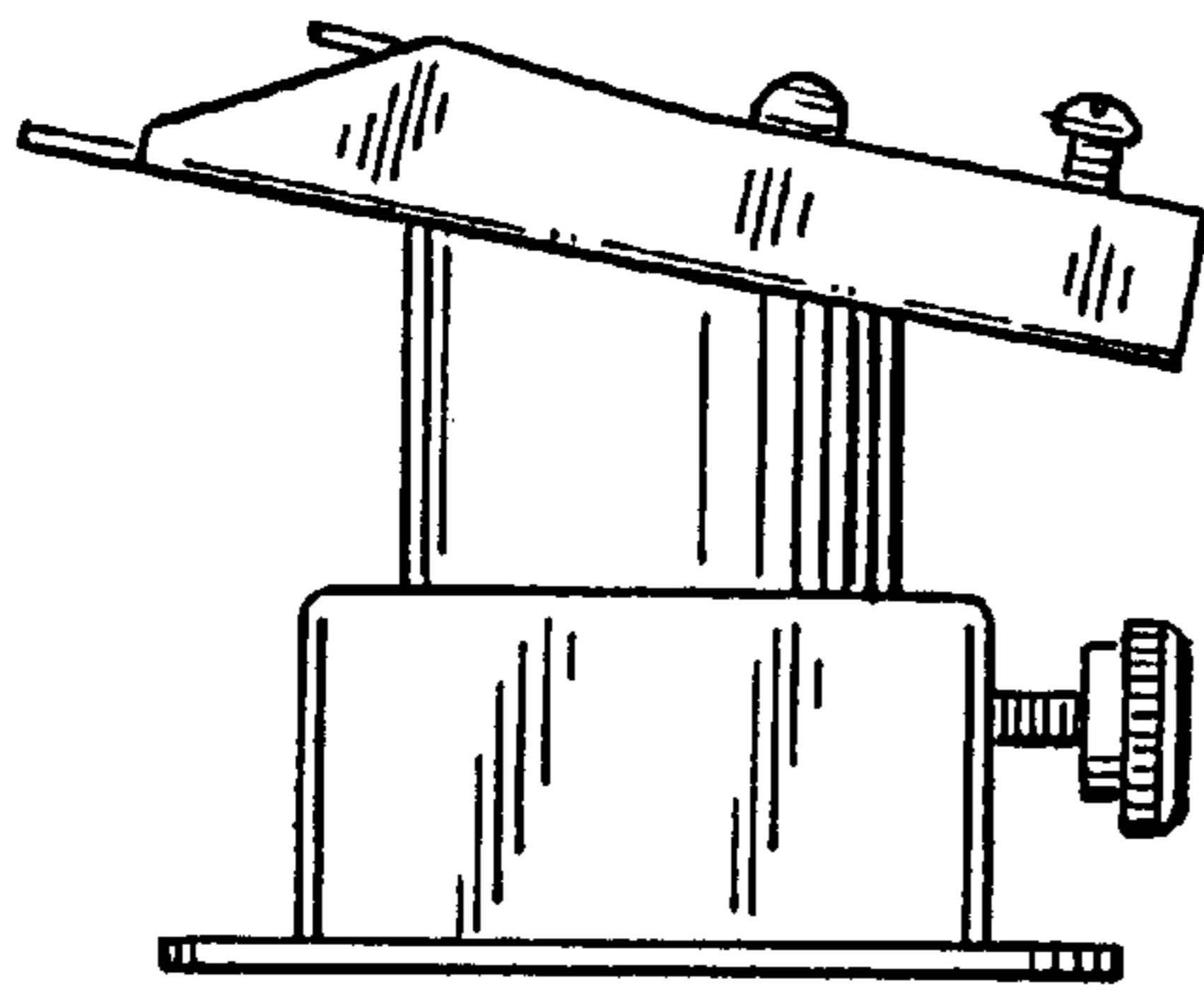


FIG. 2

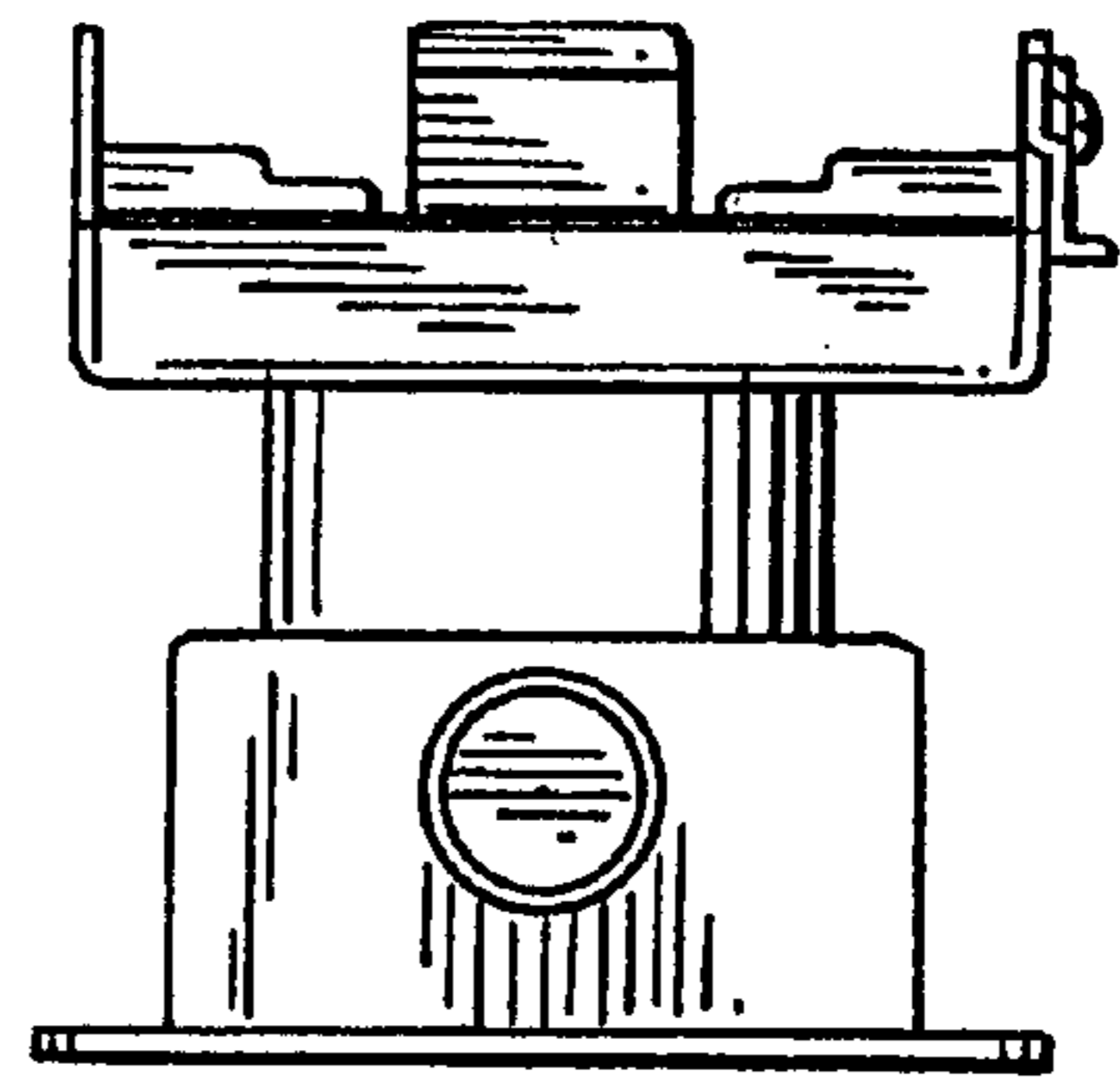


FIG. 3

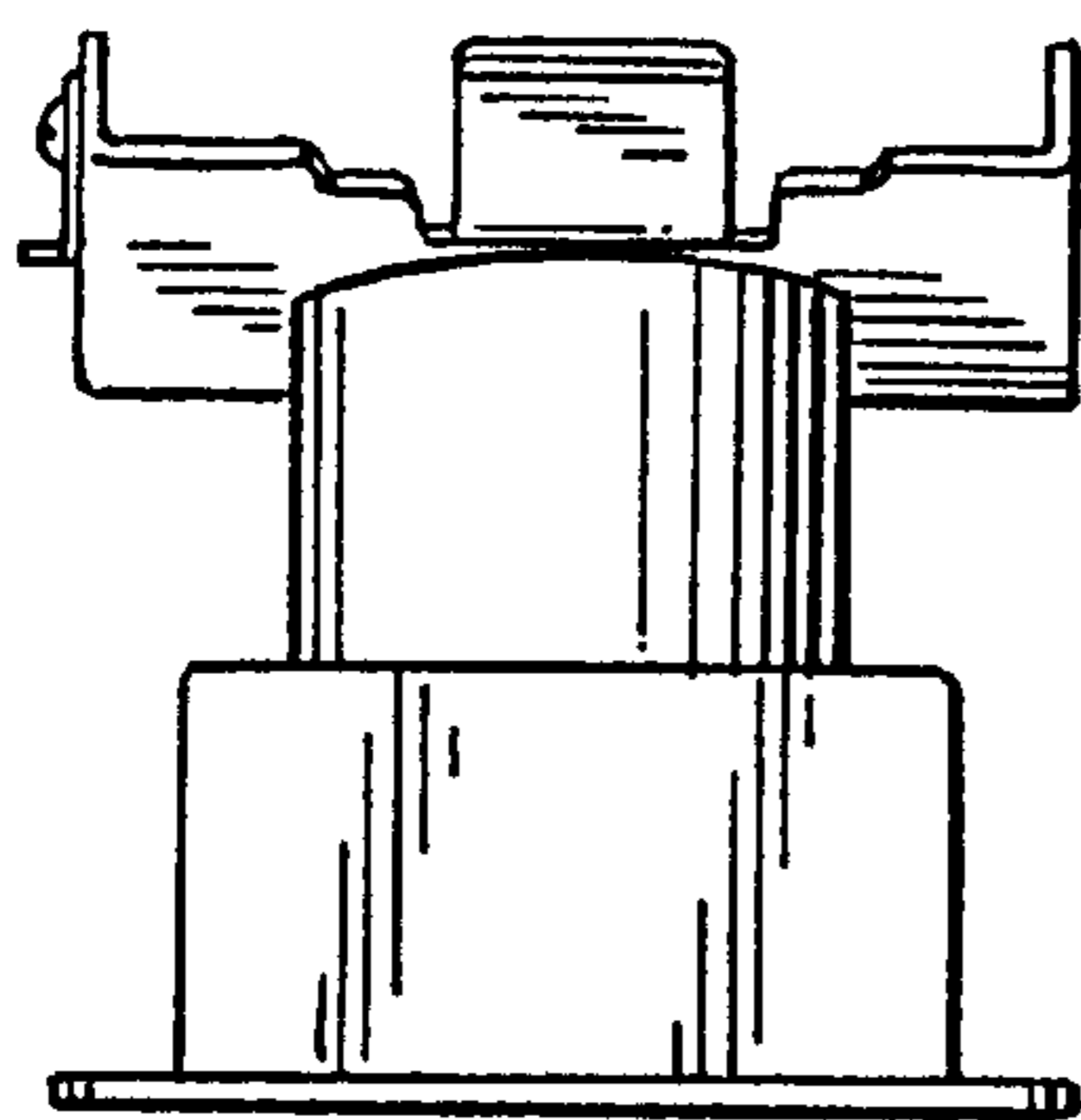


FIG. 4

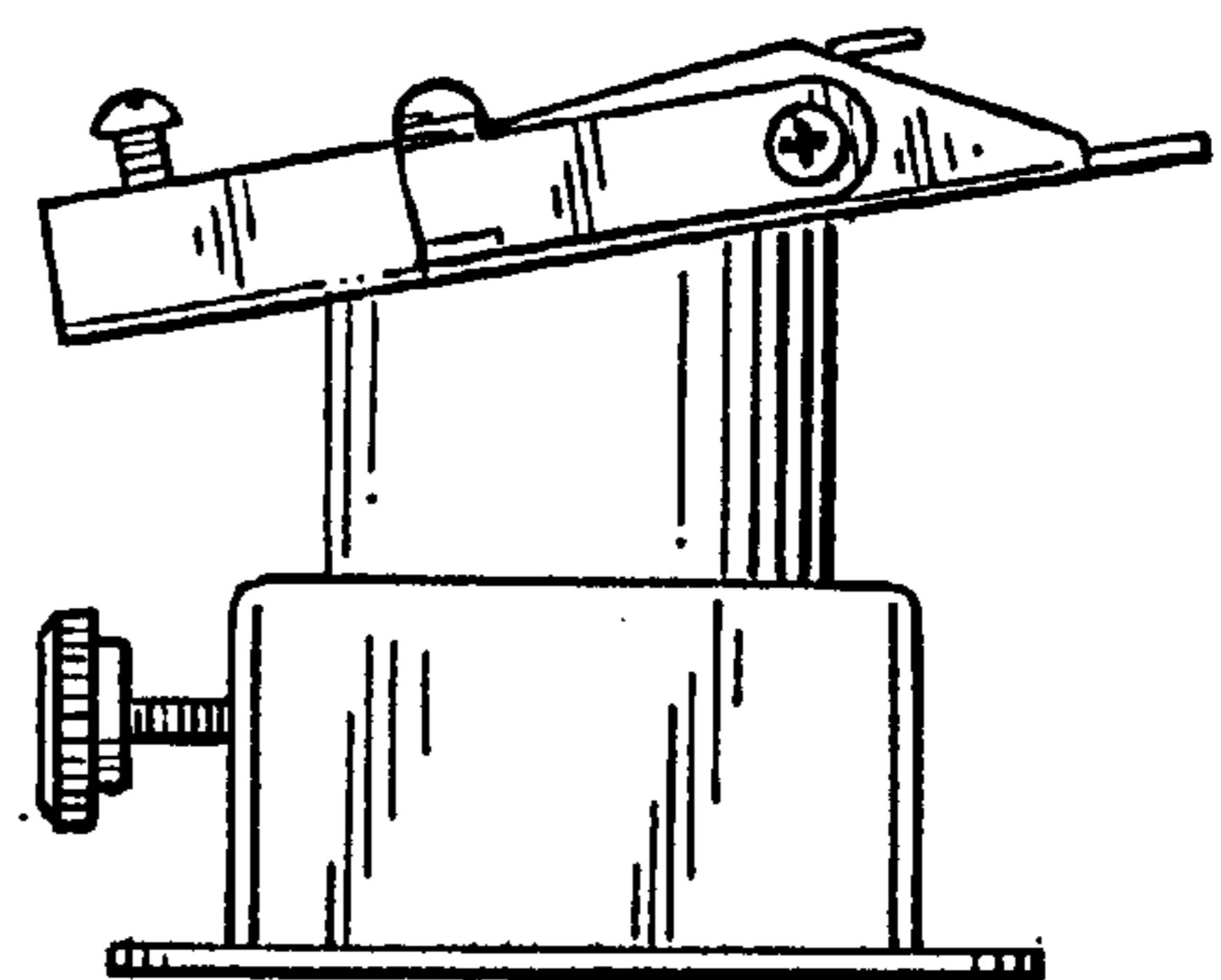


FIG. 6

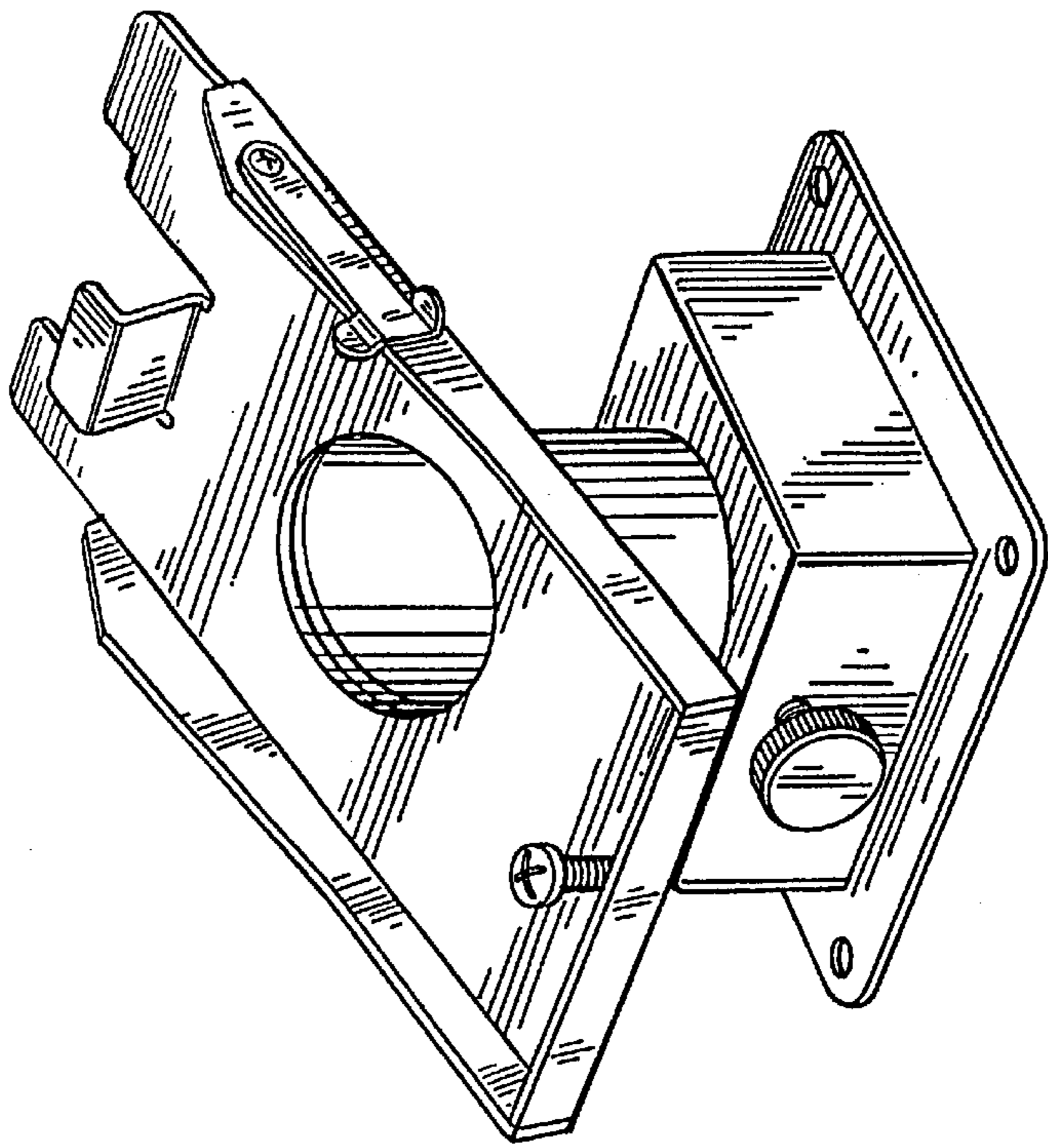


FIG. 5

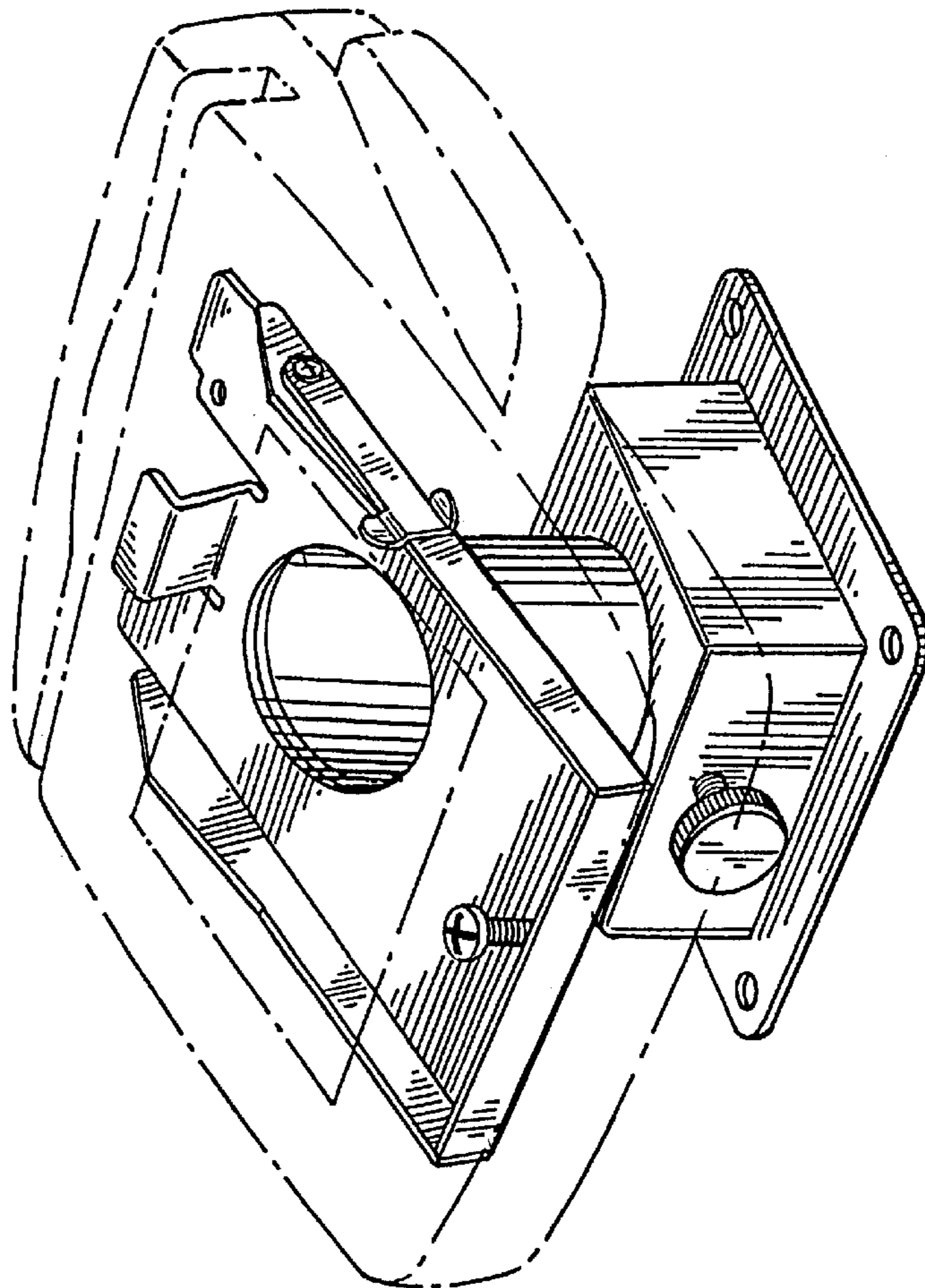


FIG. 7

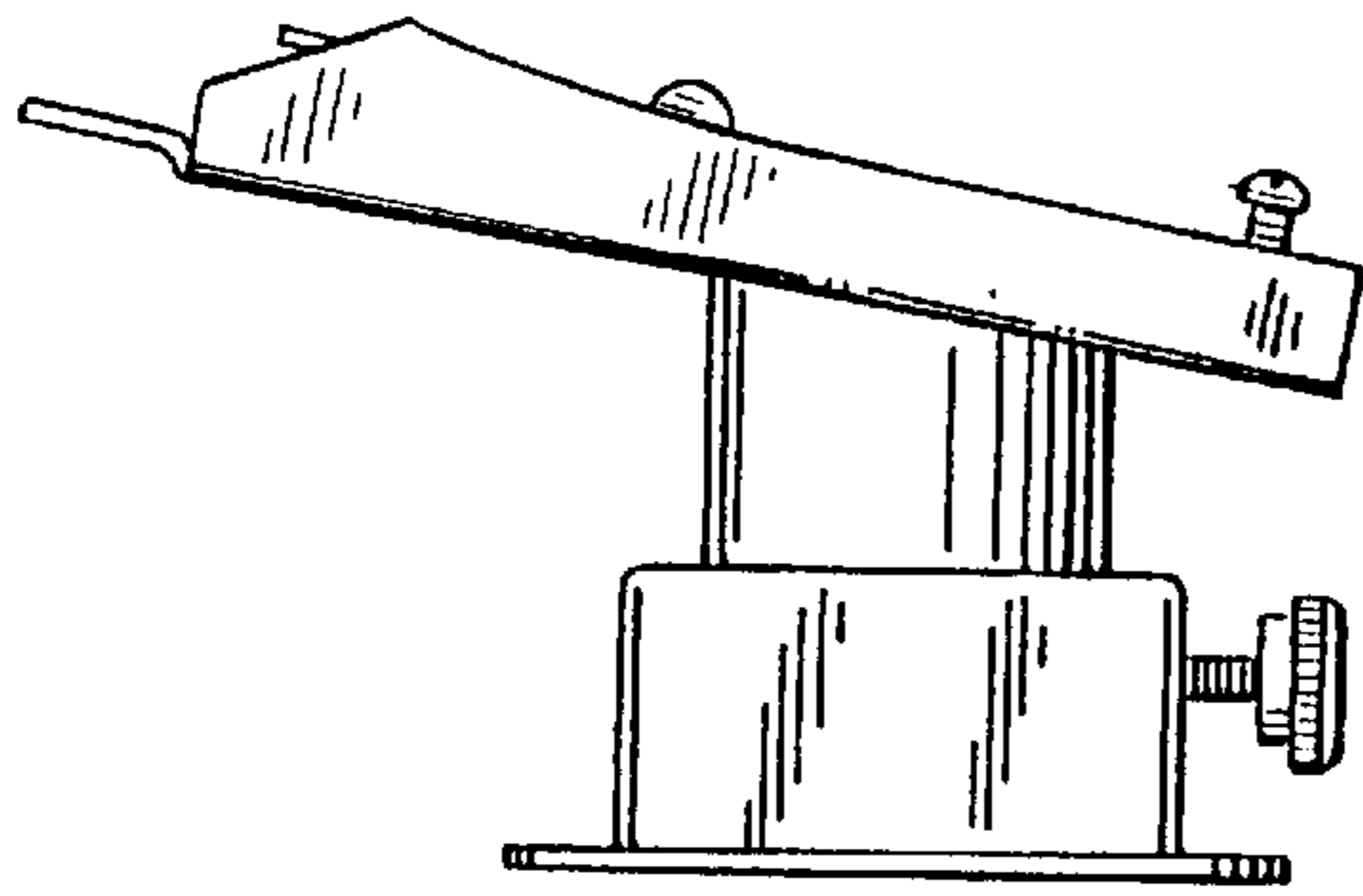


FIG. 8

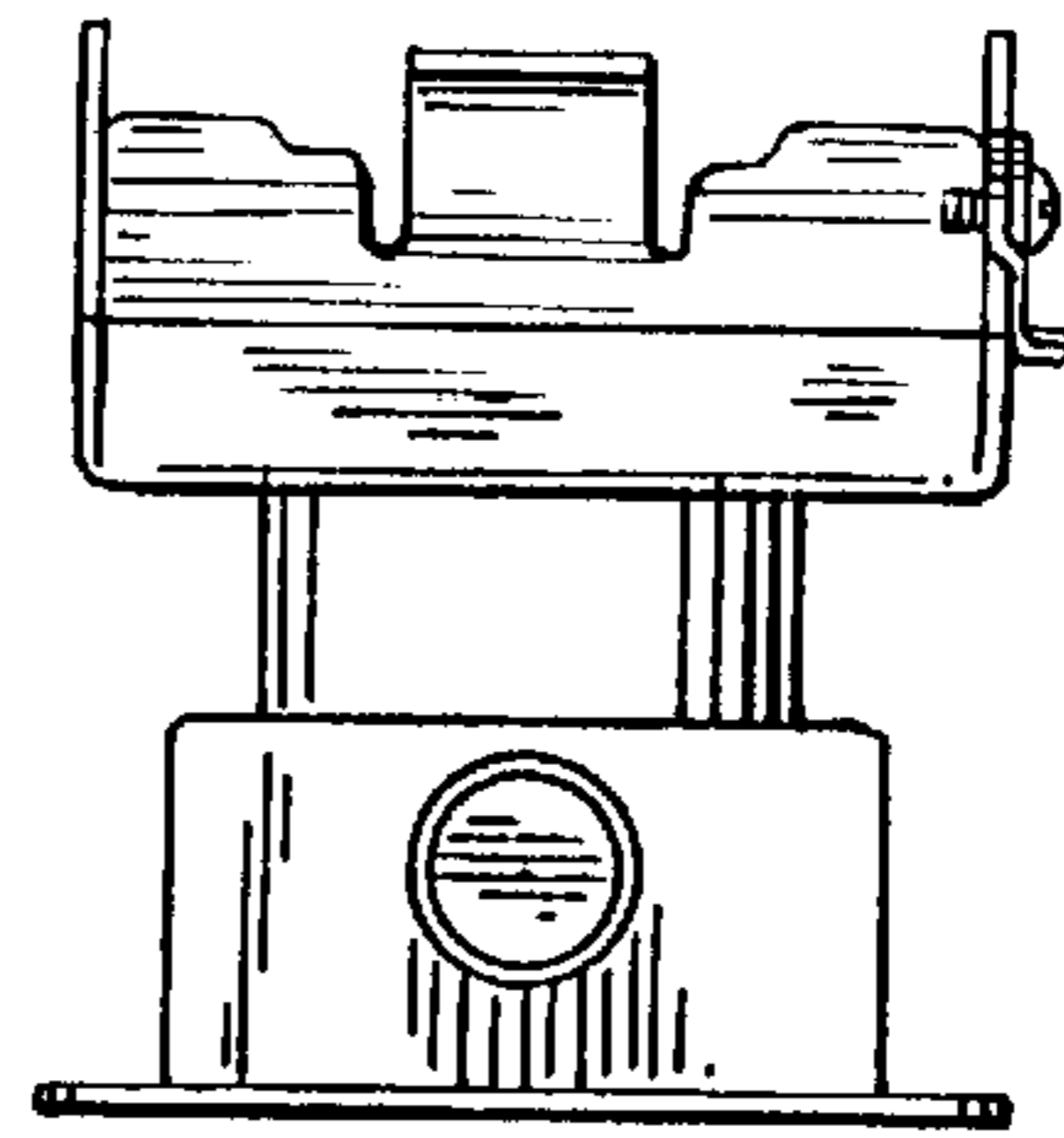


FIG. 9

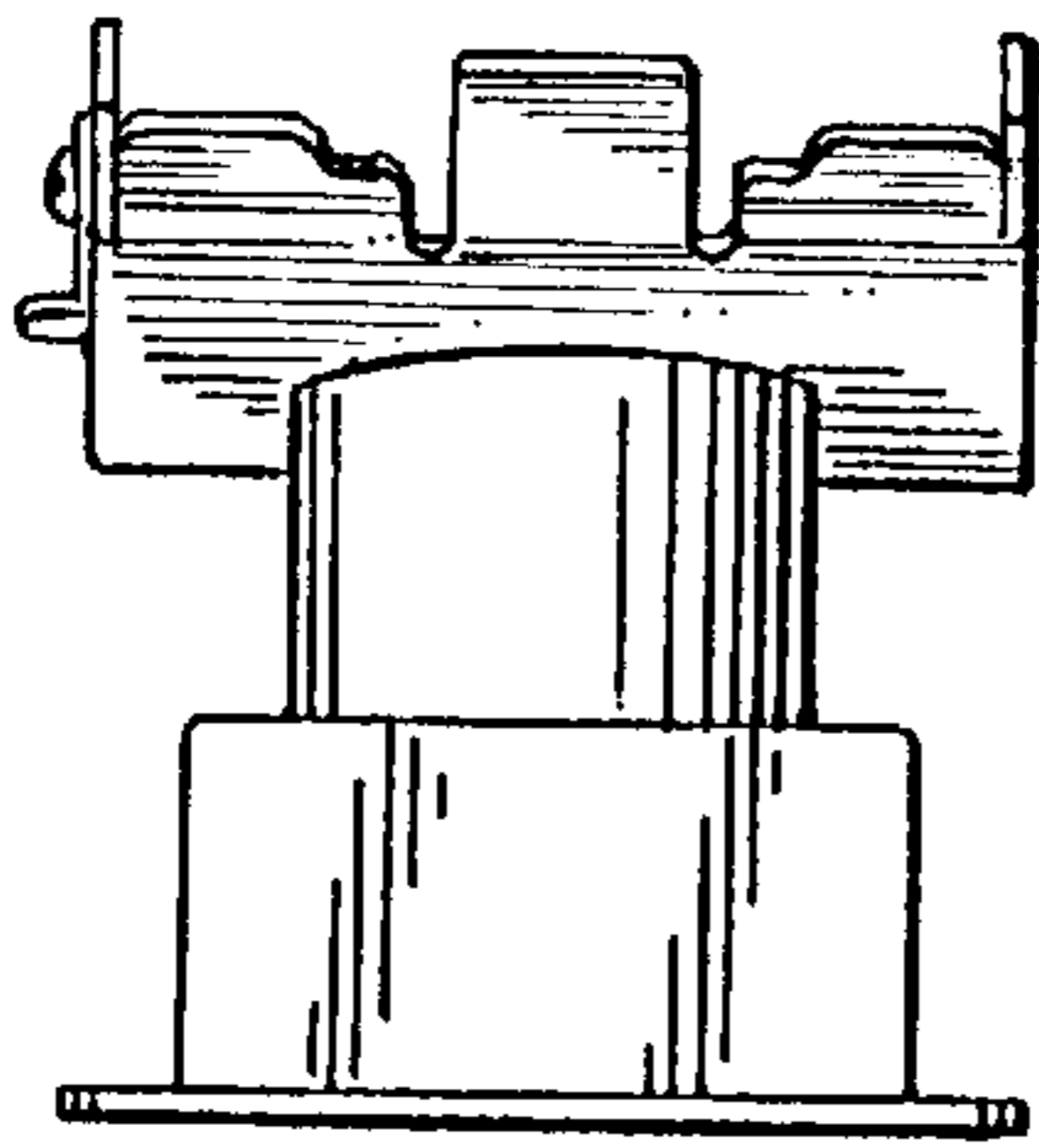


FIG. 10

