



US00D454135S

(12) **United States Design Patent**  
**Lee**

(10) **Patent No.:** **US D454,135 S**

(45) **Date of Patent:** **\*\* Mar. 5, 2002**

(54) **BEZEL FOR MEDIA DEVICE**

(75) Inventor: **Milton C. Lee**, Mountain View, CA  
(US)

(73) Assignee: **Sun Microsystems, Inc.**, Palo Alto, CA  
(US)

(\*\*) Term: **14 Years**

(21) Appl. No.: **29/136,618**

(22) Filed: **Feb. 2, 2001**

(51) **LOC (7) Cl.** ..... **14-02**

(52) **U.S. Cl.** ..... **D14/445**

(58) **Field of Search** ..... D14/441-446,  
D14/257; D13/162, 184, 199, 177; 312/223.2;  
361/680-686

(56) **References Cited**

**U.S. PATENT DOCUMENTS**

D308,671 S \* 6/1990 Aderman et al. .... D14/445  
D333,134 S \* 2/1993 Aderman ..... D14/445

D359,279 S \* 6/1995 Fujimura et al. .... D14/442  
D380,211 S \* 6/1997 Aderman et al. .... D14/445  
D407,082 S \* 3/1999 Waaler ..... D14/442

\* cited by examiner

*Primary Examiner*—Freda Nunn

(74) *Attorney, Agent, or Firm*—Conley, Rose & Tayon, PC;  
B. Noël Kivlin

(57) **CLAIM**

The ornamental design for a bezel for media device, as shown and described.

**DESCRIPTION**

FIG. 1 is a front perspective view of a bezel for media device.

FIG. 2 is a front view of a bezel for media device.

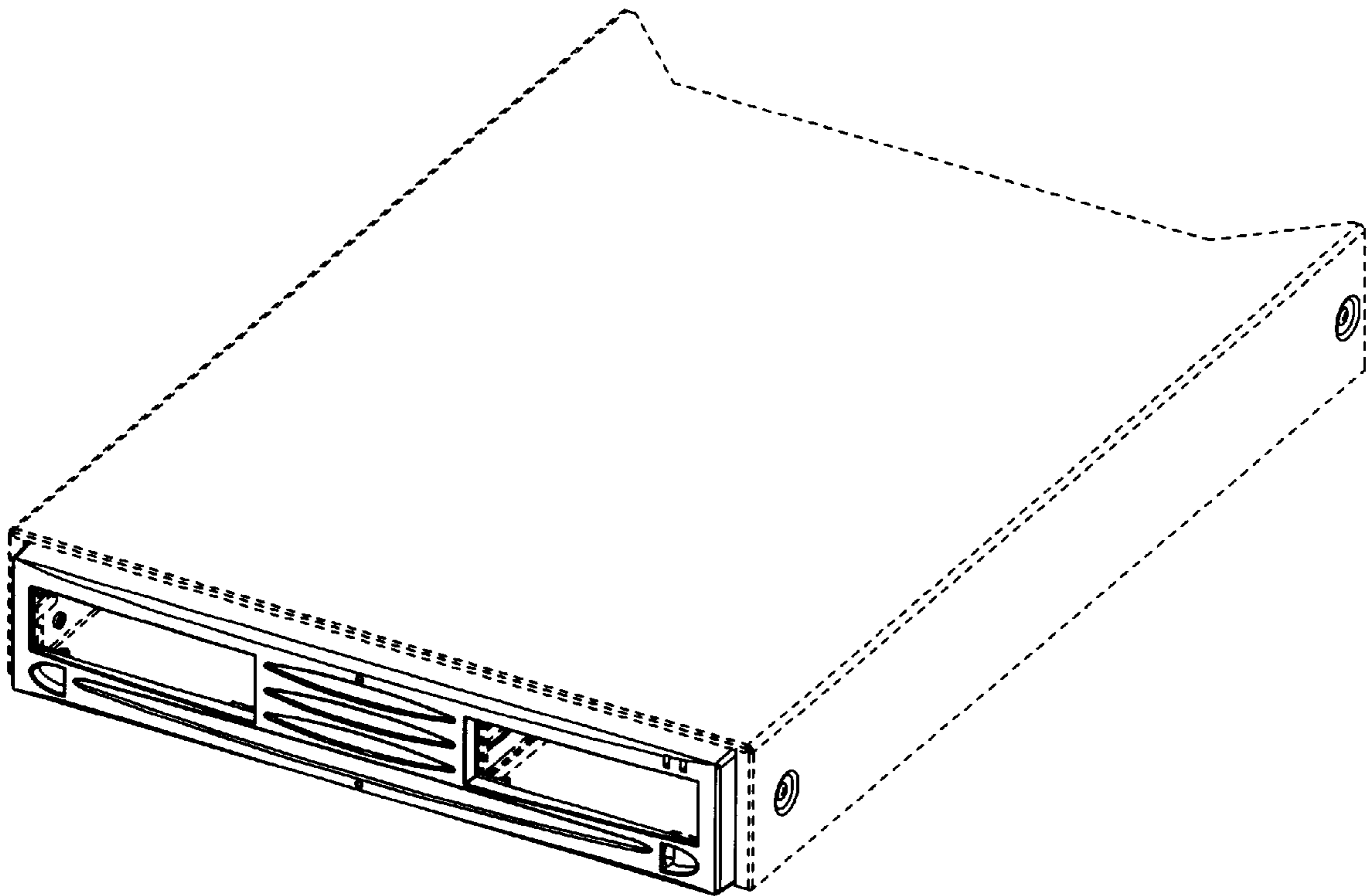
FIG. 3 is a top view of a bezel for media device.

FIG. 4 is a left side view of a bezel for media device; and,

FIG. 5 is a right side view of a bezel for media device.

The broken lines are shown in the views for illustrative purposes only and form no part of the claimed design.

**1 Claim, 5 Drawing Sheets**



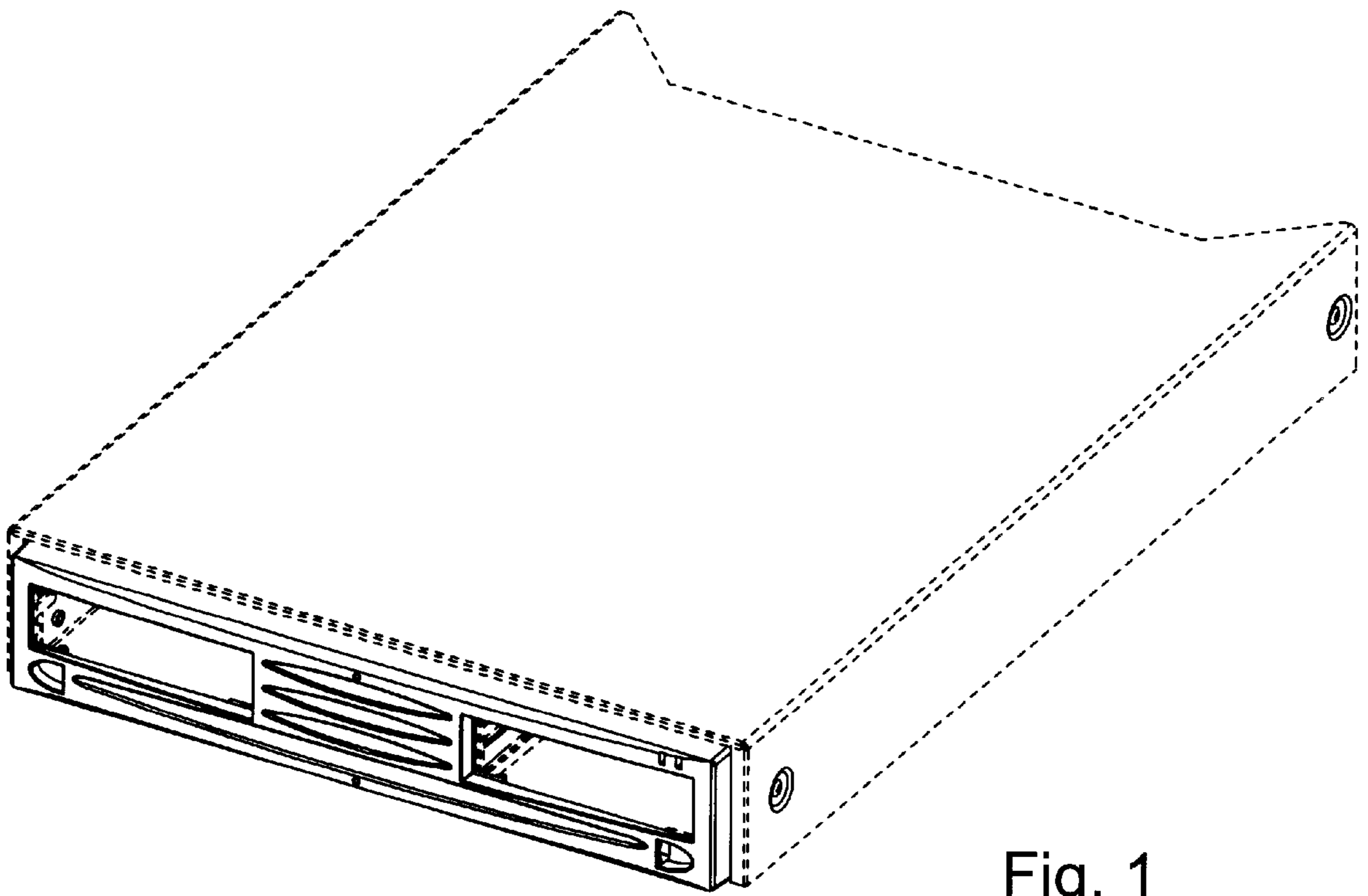


Fig. 1

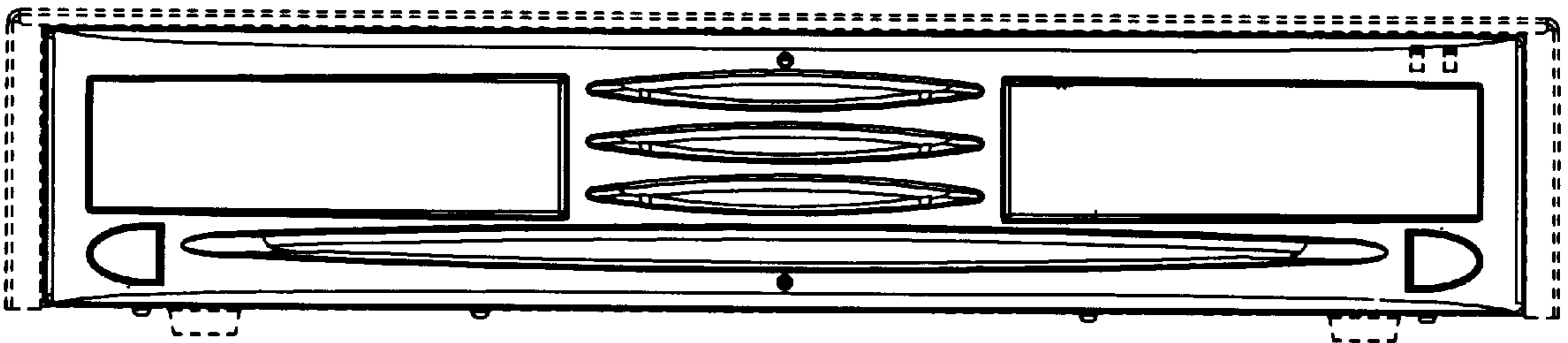


Fig. 2

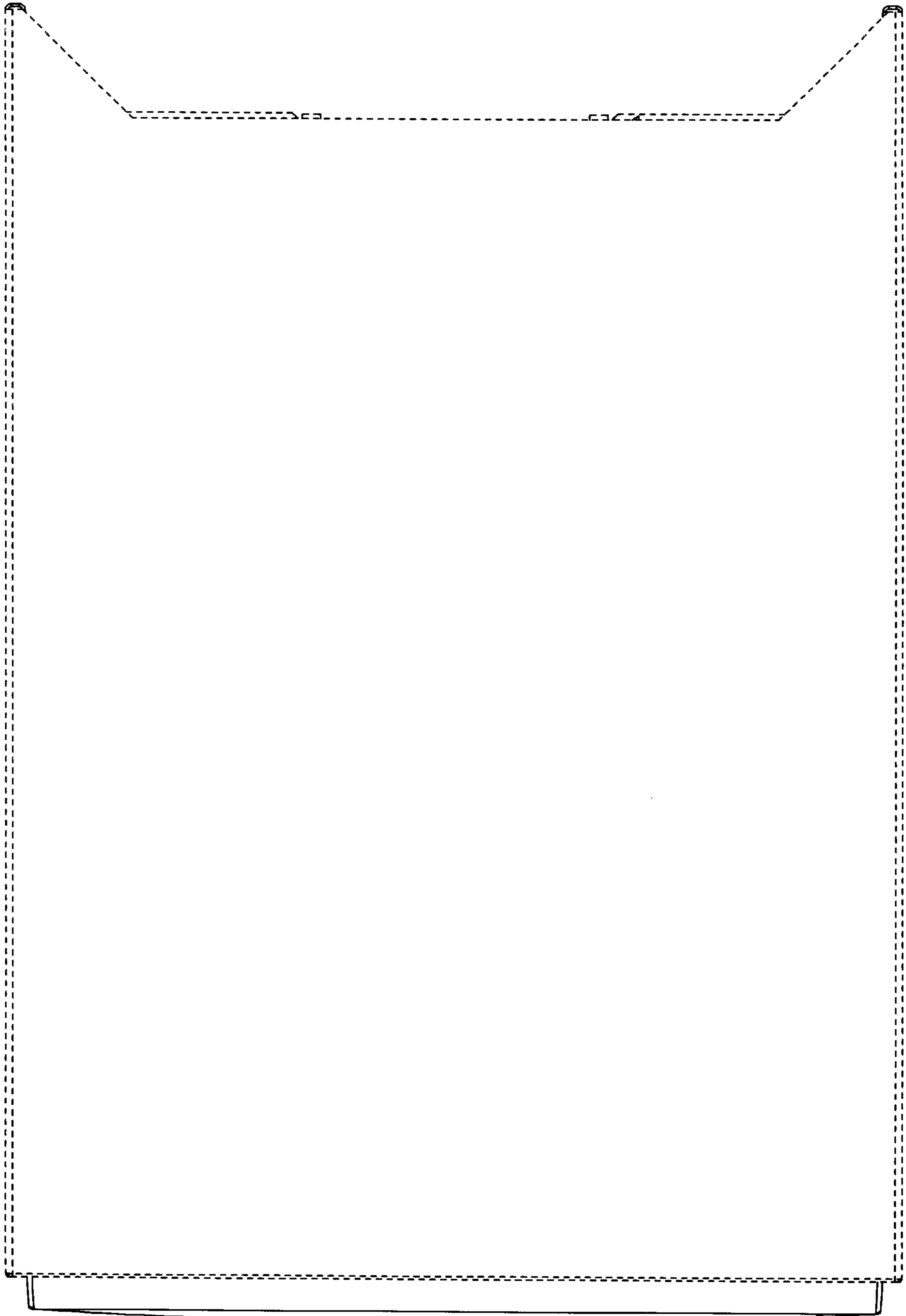


Fig. 3

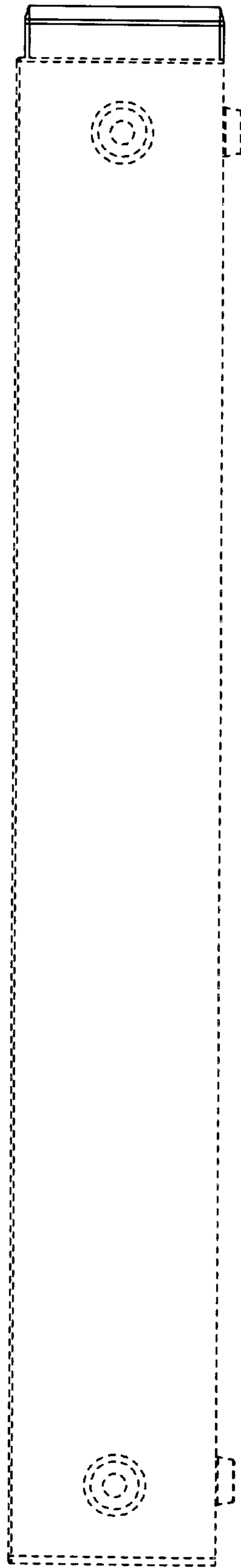


Fig. 4

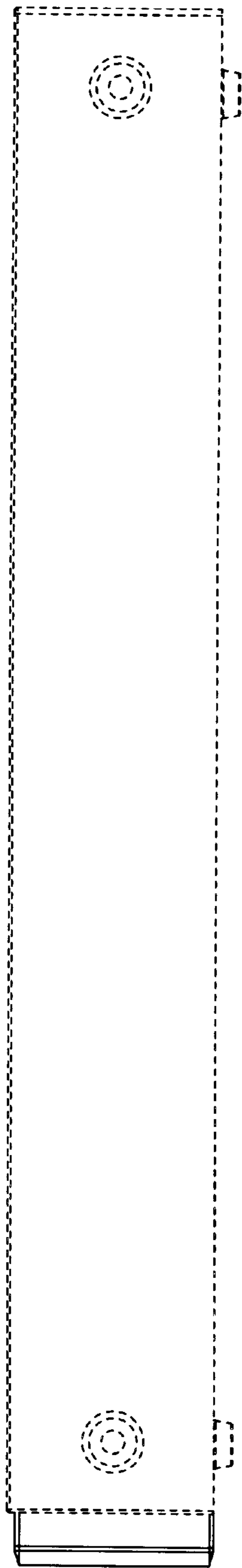


Fig. 5