



US00D454132S

(12) **United States Design Patent**
Lord

(10) **Patent No.:** **US D454,132 S**

(45) **Date of Patent:** **** Mar. 5, 2002**

(54) **SURFACE CONTOUR FOR A COMPUTER HOUSING**

(75) **Inventor:** **Charles Lord, Scottsdale, AZ (US)**

(73) **Assignee:** **Mobility Electronics, Inc., Scottsdale, AZ (US)**

(**) **Term:** **14 Years**

(21) **Appl. No.:** **29/123,571**

(22) **Filed:** **May 19, 2000**

(51) **LOC (7) Cl.** **14-02**

(52) **U.S. Cl.** **D14/439**

(58) **Field of Search** D14/432, 439, D14/440, 441, 314, 349, 356, 363; 361/679-87, 600, 622, 627-36, 724-5; 200/5 R, 5 A, 6 R, 6 A; D13/184, 199

(56) **References Cited**

U.S. PATENT DOCUMENTS

- D397,329 S * 8/1998 Vackar
- D409,988 S * 5/1999 Otis et al.

- D427,603 S * 7/2000 Liu et al.
- D429,248 S * 8/2000 Koken et al.
- D431,029 S * 9/2000 Leman
- D436,964 S * 1/2001 Leman
- D439,254 S * 3/2001 Zhao

* cited by examiner

Primary Examiner—M. H. Tung

(74) *Attorney, Agent, or Firm*—Jackson Walker LLP

(57) **CLAIM**

The ornamental design for a surface contour for a computer housing, as shown and described.

DESCRIPTION

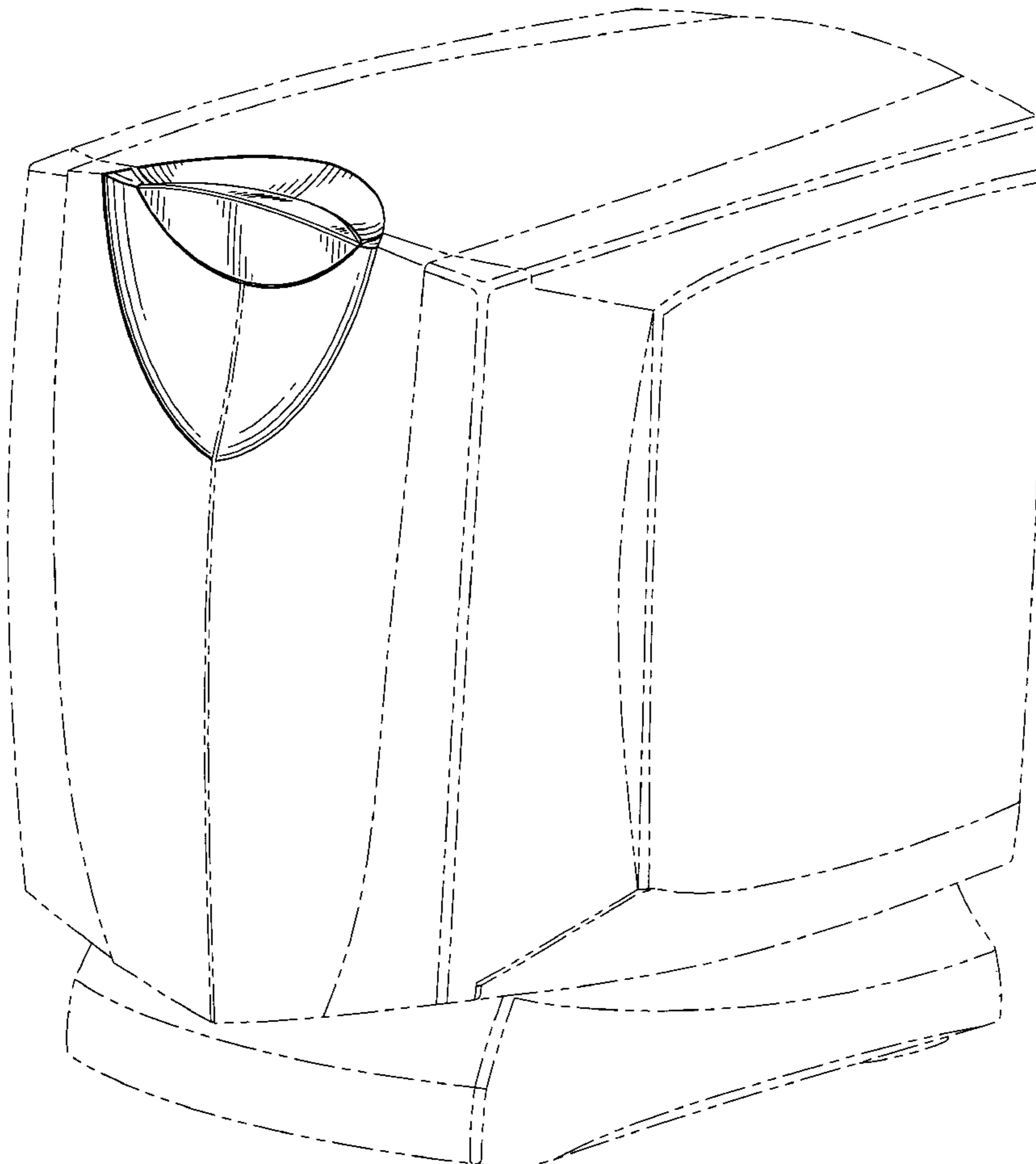
FIG. 1 is a top, front and right side perspective view of a surface contour applied to a computer housing showing my new design;

FIG. 2 is a front elevational view thereof; and,

FIG. 3 is a top plan view thereof.

The broken line drawing of the remainder of the computer housing in all views is for illustrative purposes only and forms no part of the claimed design.

1 Claim, 3 Drawing Sheets



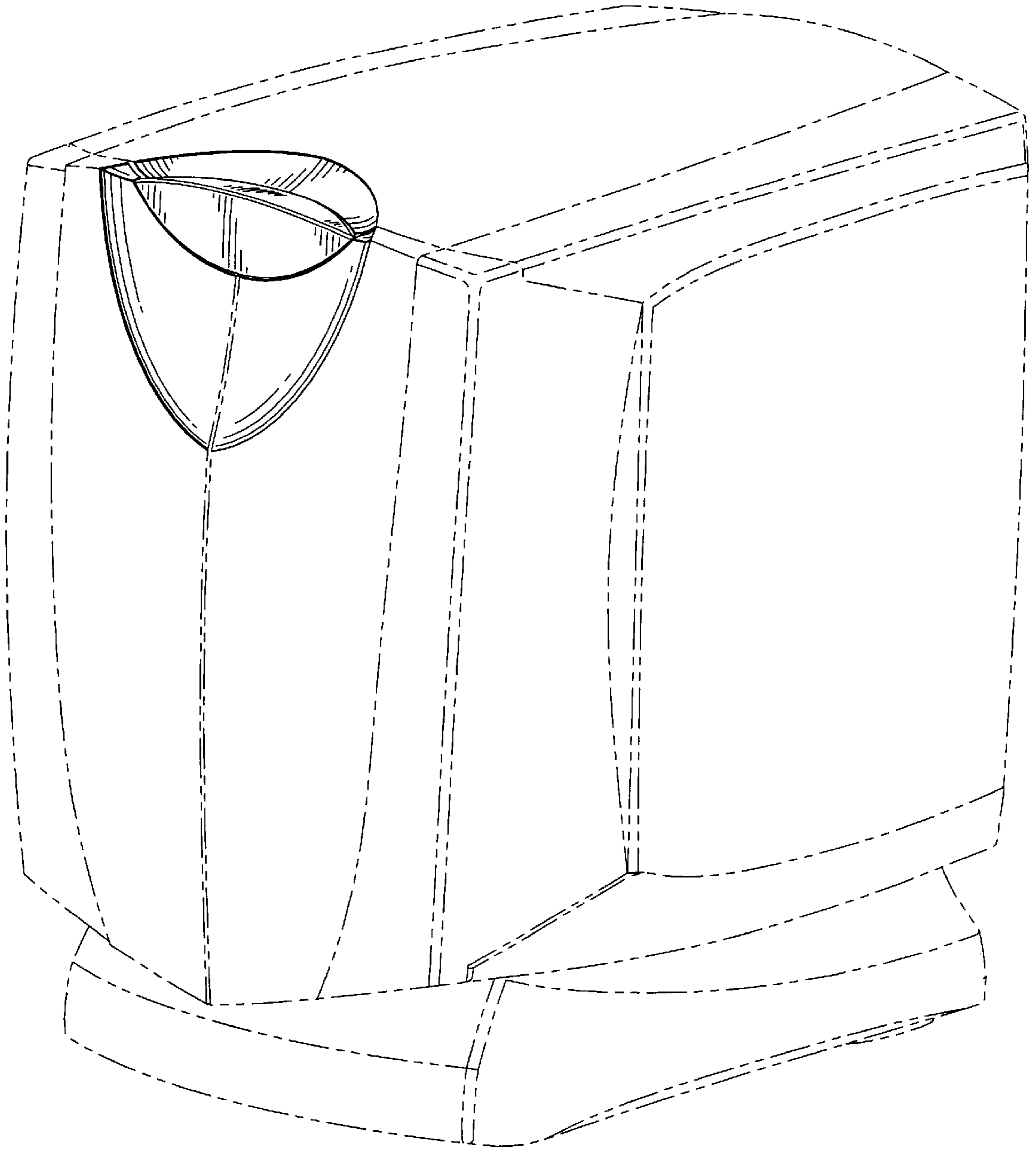


FIG. 1

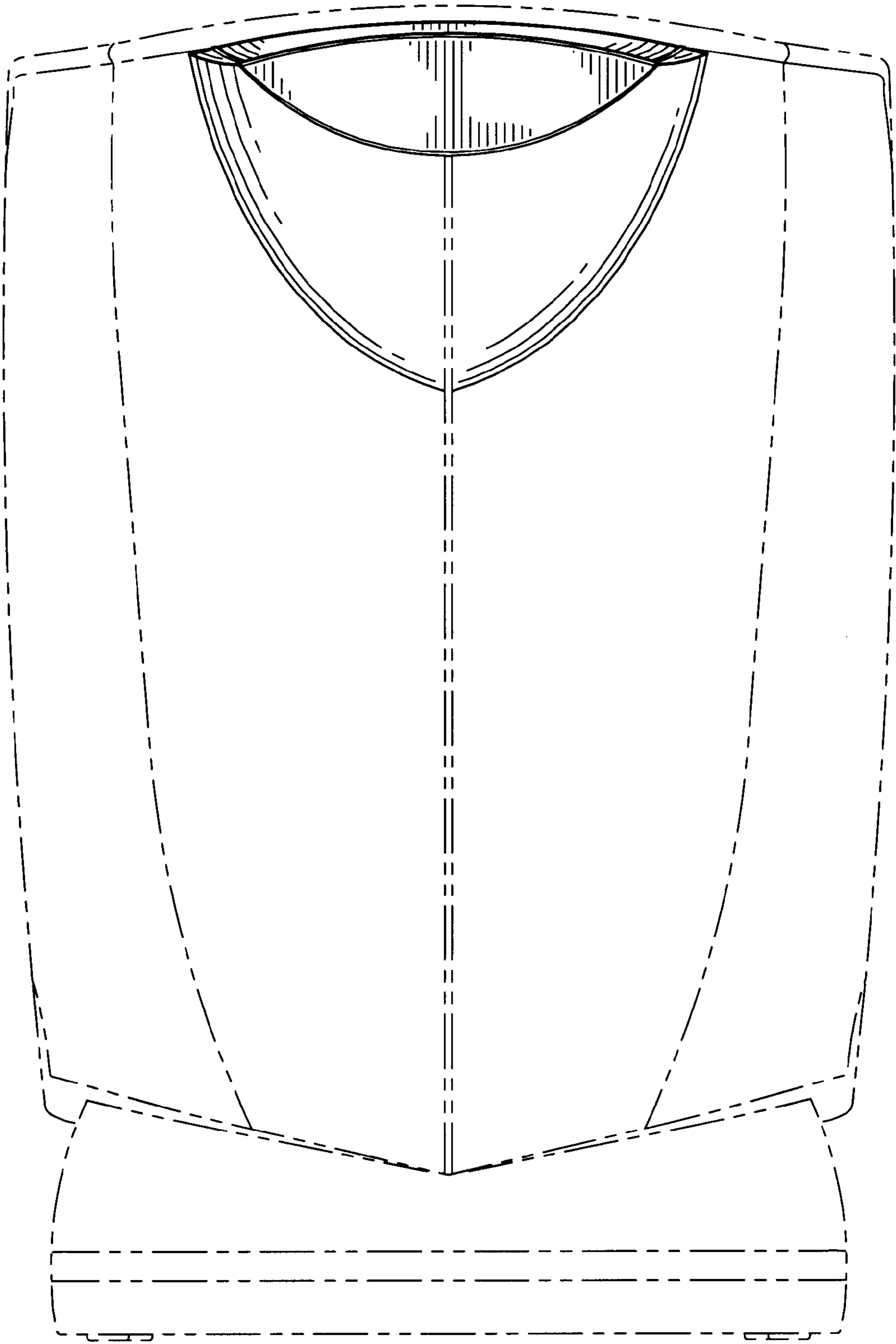


FIG. 2

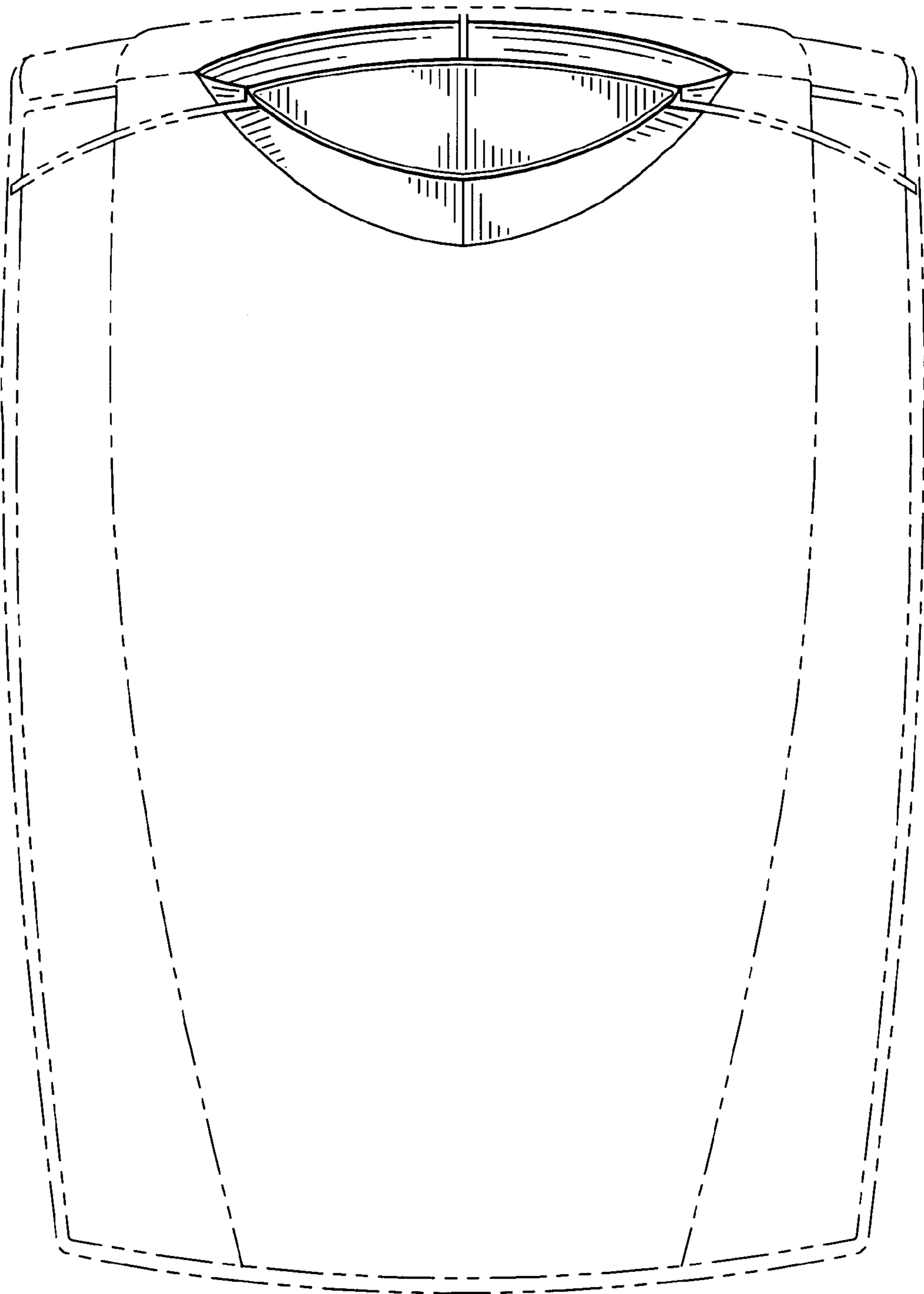


FIG. 3