



US00D454131S

(12) **United States Design Patent**  
**Lord**

(10) **Patent No.:** **US D454,131 S**

(45) **Date of Patent:** **\*\* Mar. 5, 2002**

(54) **DOCKING STATION**

D440,977 S \* 4/2001 Weisz et al.

(75) Inventor: **Charles Lord**, Scottsdale, AZ (US)

\* cited by examiner

(73) Assignee: **Mobility Electronics, Inc.**, Scottsdale, AZ (US)

*Primary Examiner*—M. H. Tung

(74) *Attorney, Agent, or Firm*—Jackson Walker L.L.P.

(\*\*) Term: **14 Years**

(57) **CLAIM**

(21) Appl. No.: **29/123,587**

The ornamental design for a docking station, as shown and described.

(22) Filed: **May 19, 2000**

**DESCRIPTION**

(51) **LOC (7) Cl.** ..... **14-02**

(52) **U.S. Cl.** ..... **D14/434**

(58) **Field of Search** ..... D14/432, 434,  
D14/356, 357; 361/681, 686, 687, 679-83,  
724-7; D13/107-8

FIG. 1 is a top, front and right side perspective view of a docking station showing my new design;

FIG. 2 is a front elevational view thereof;

FIG. 3 is a right side elevational view thereof, the left side being a mirror image;

FIG. 4 is a top plan view thereof;

FIG. 5 is a rear elevational view thereof;

FIG. 6 is a top, rear and right side perspective view thereof; and,

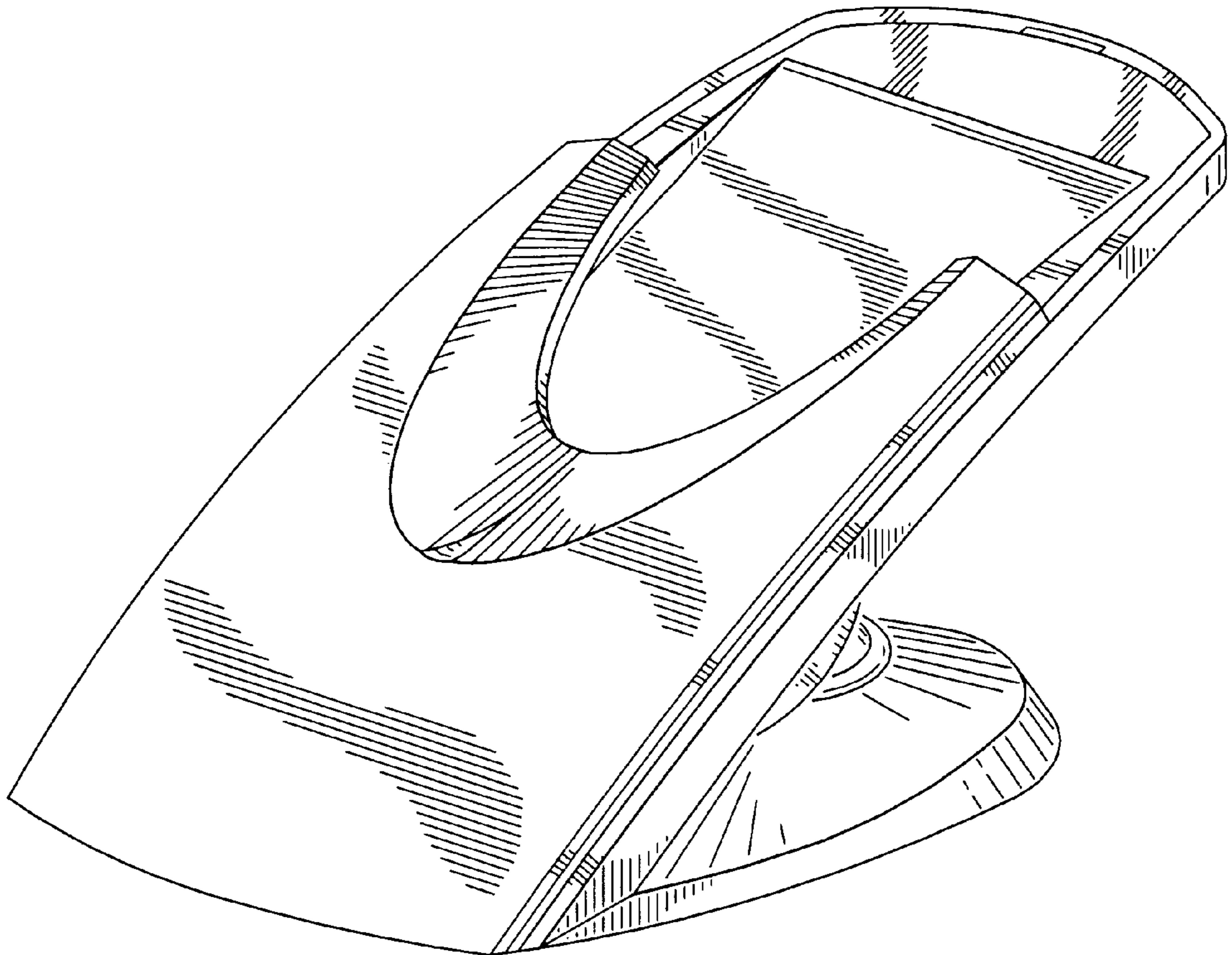
FIG. 7 is a bottom plan view thereof.

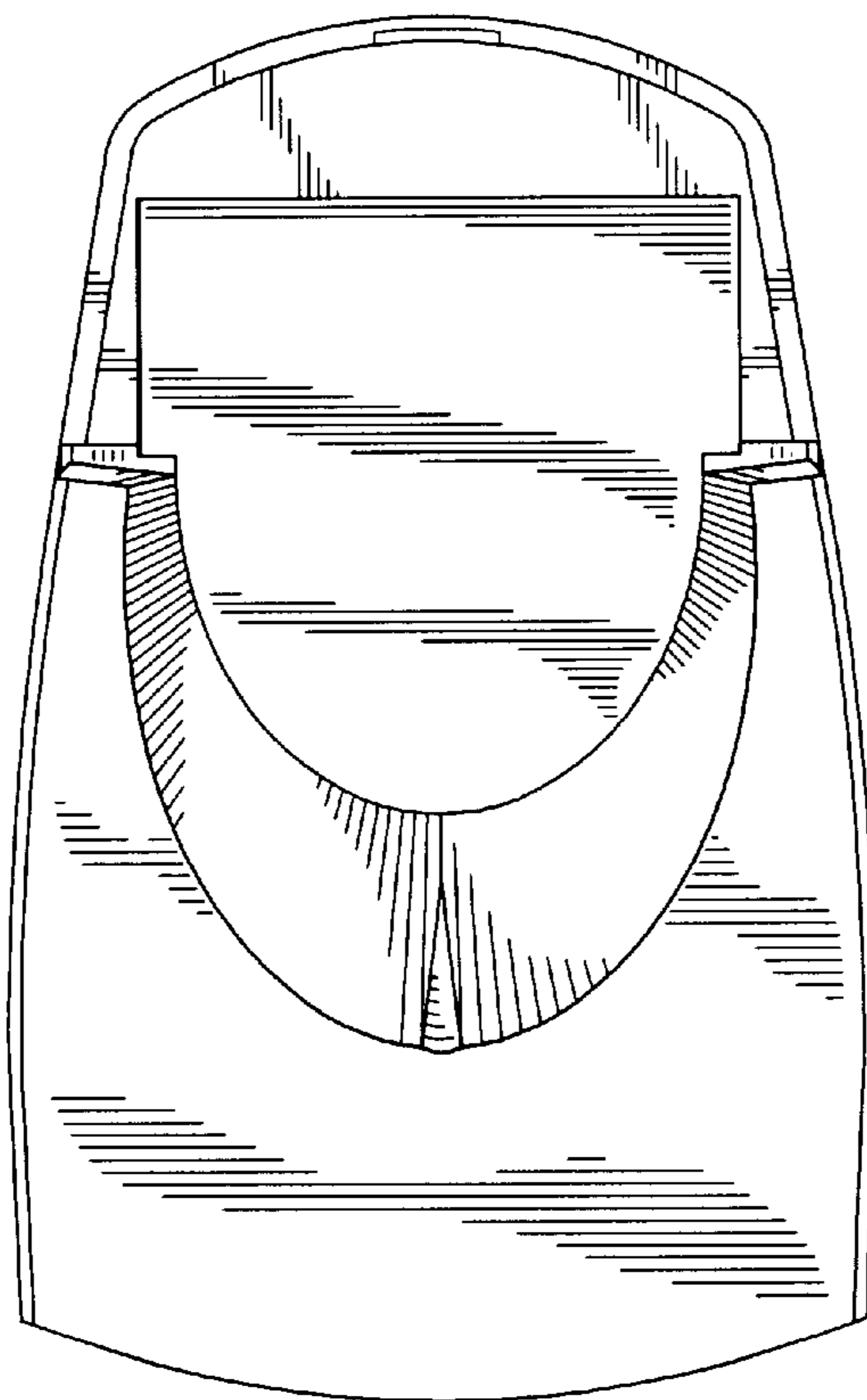
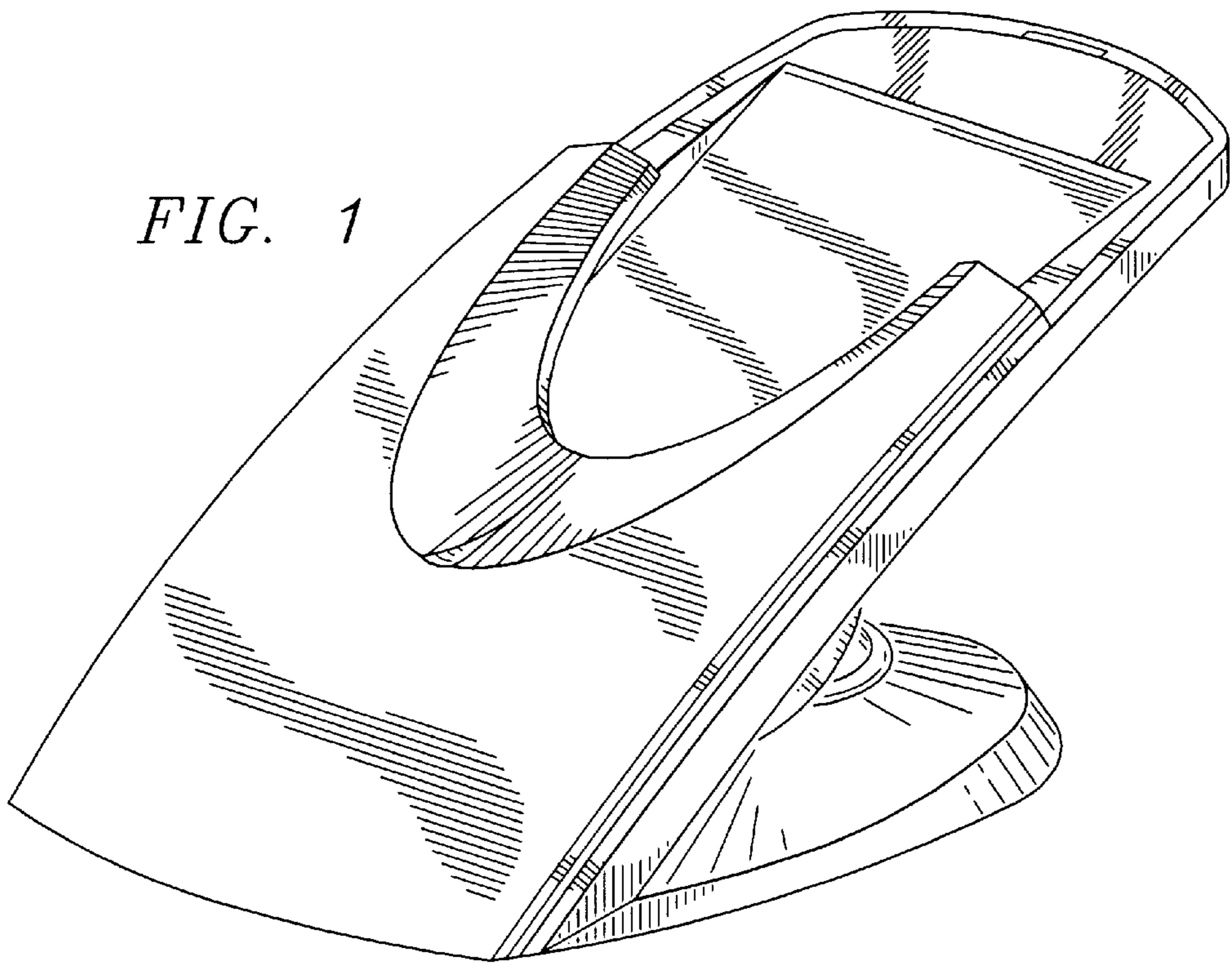
(56) **References Cited**

**U.S. PATENT DOCUMENTS**

- D361,979 S \* 9/1995 Shirakawa et al.
- D411,989 S \* 7/1999 Grossman et al.
- D415,740 S \* 10/1999 Lee et al.
- D439,908 S \* 4/2001 Gozani

**1 Claim, 3 Drawing Sheets**





*FIG. 2*

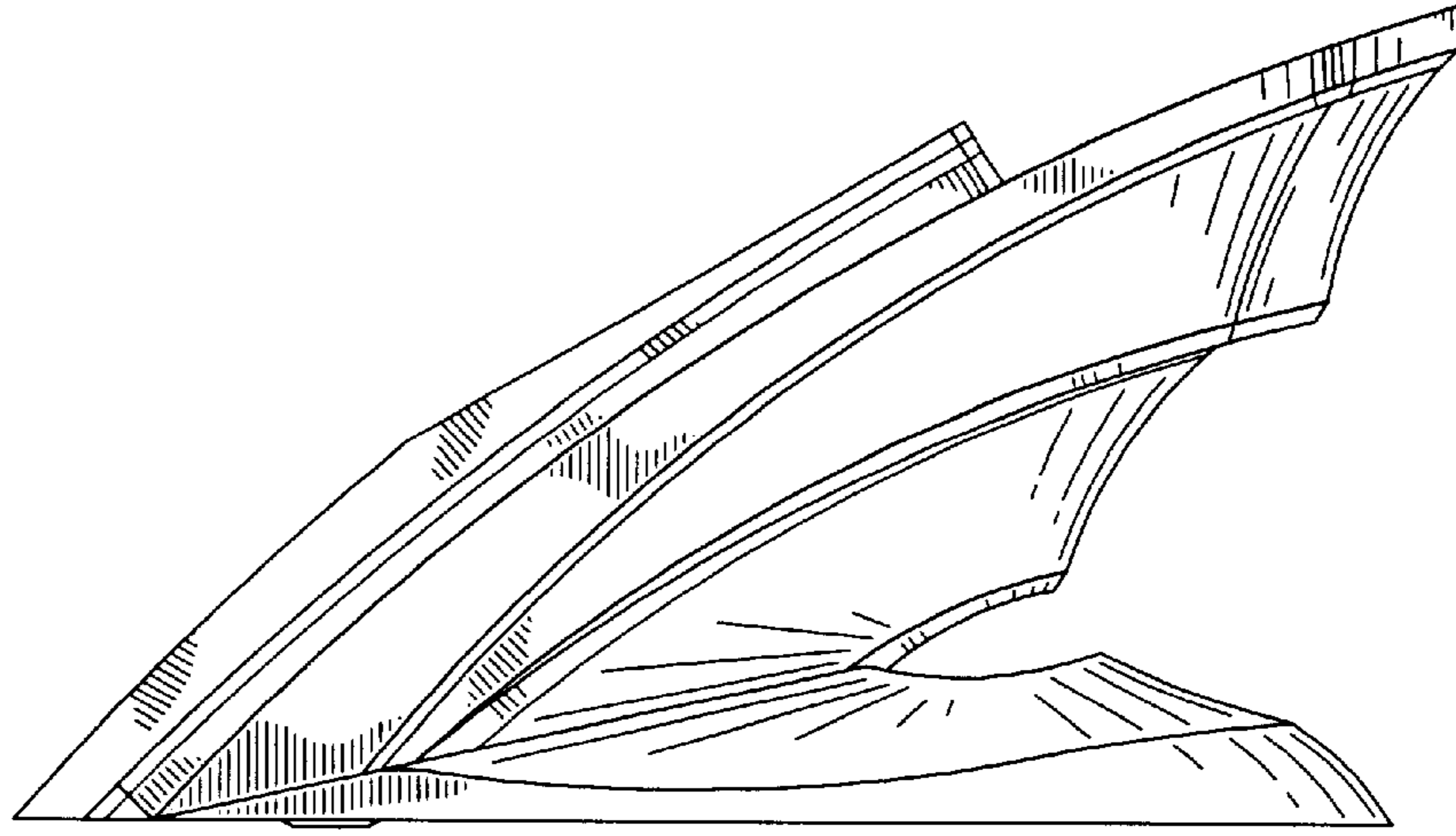


FIG. 3

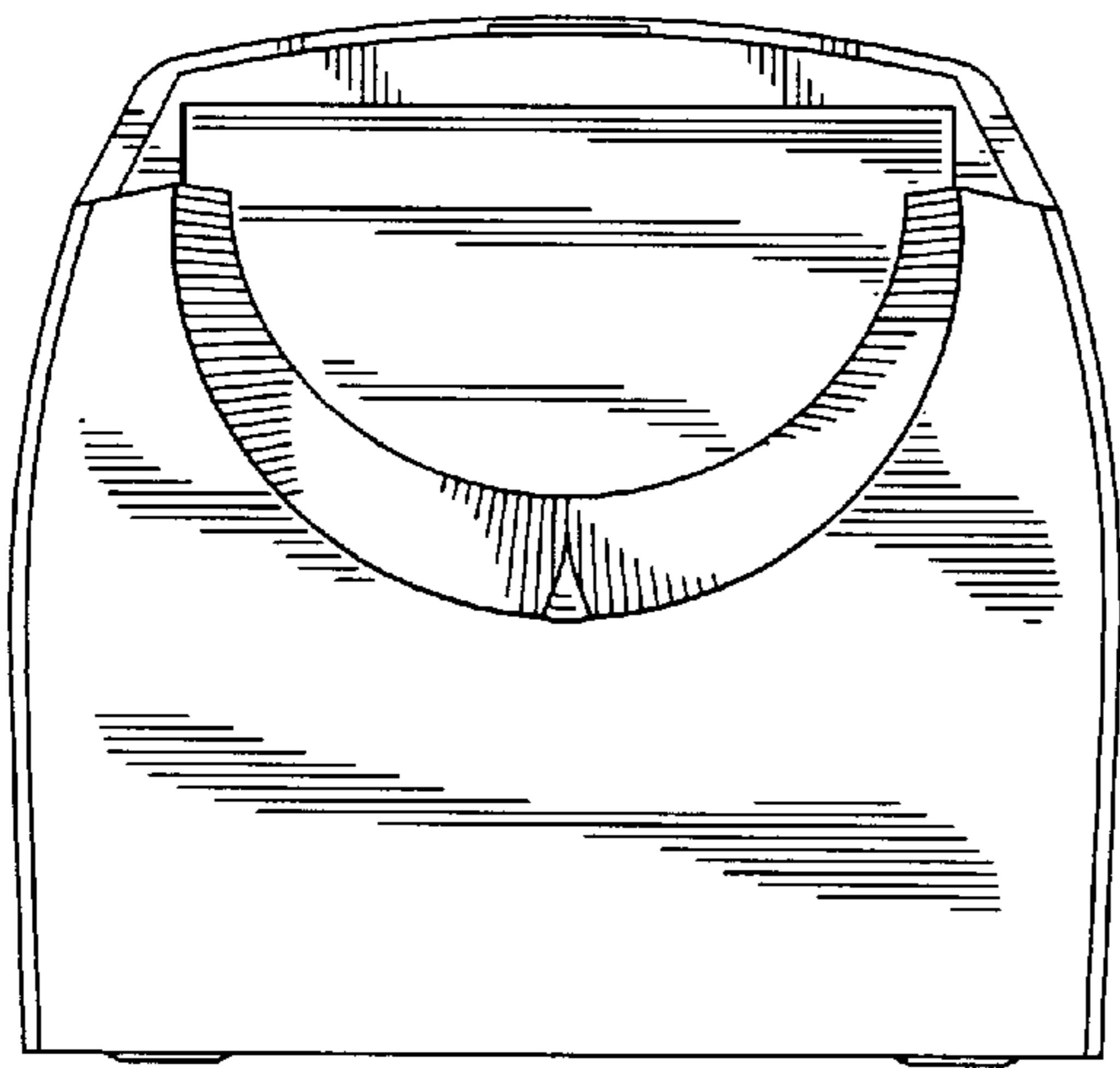


FIG. 4

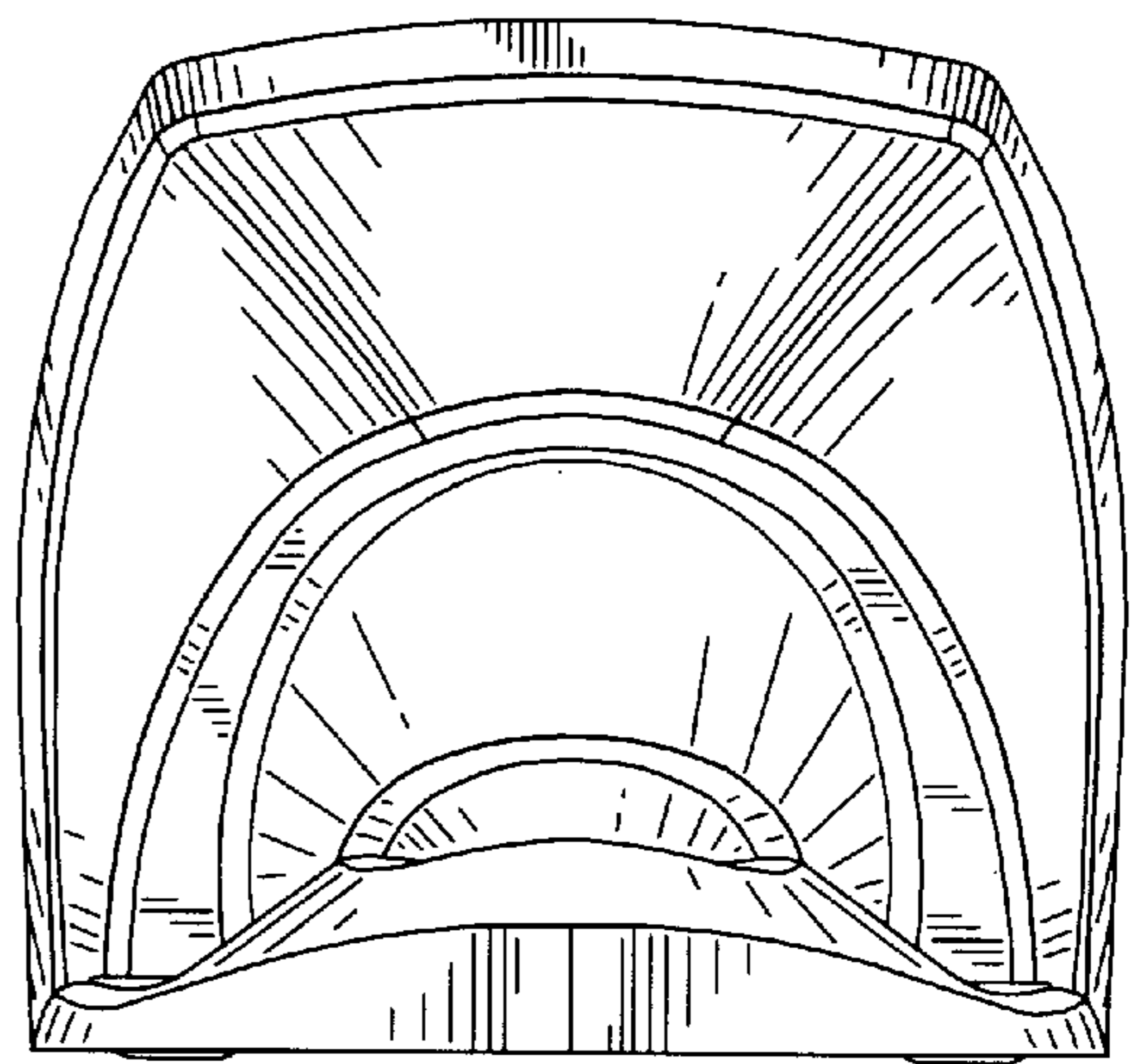


FIG. 5

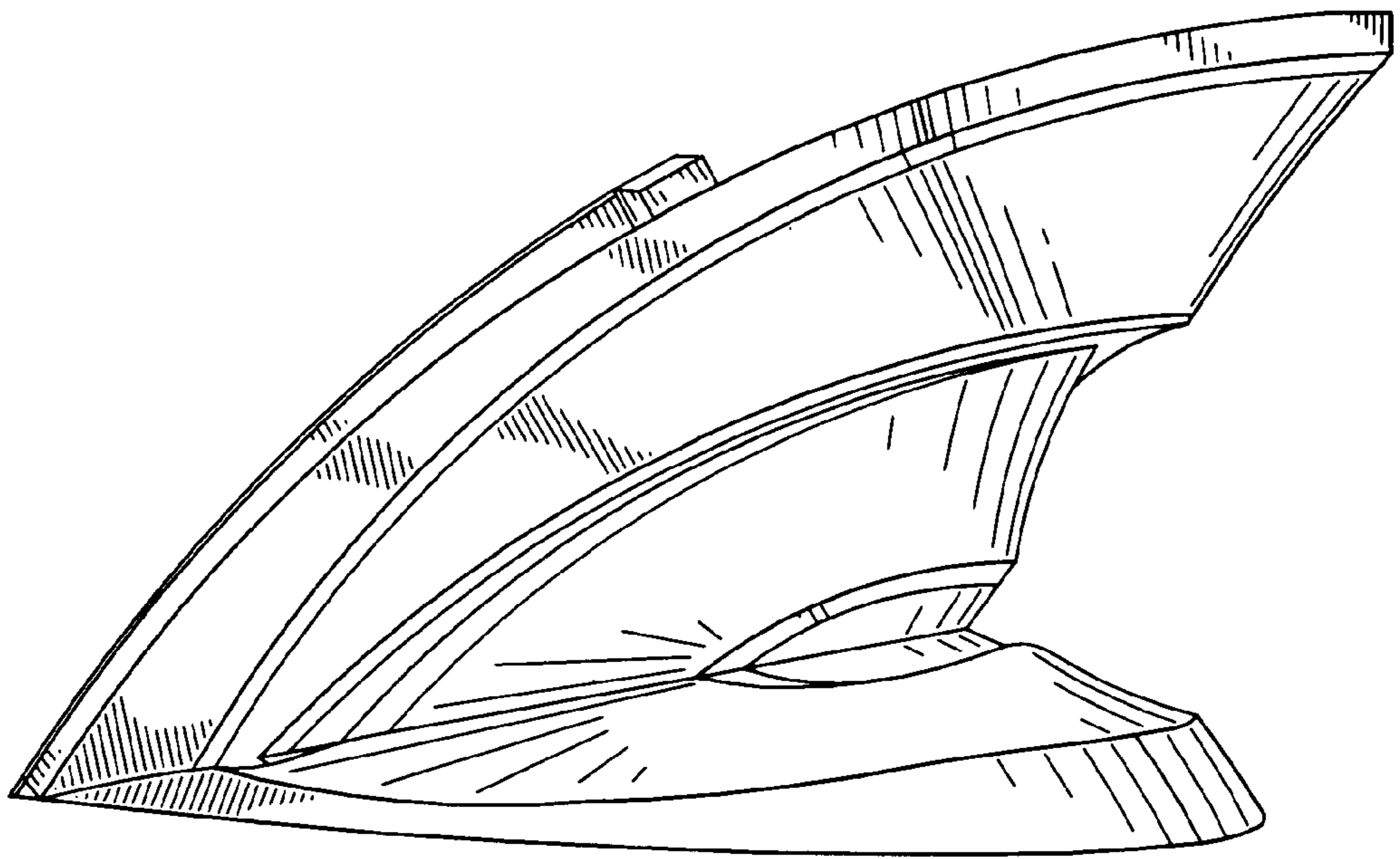


FIG. 6

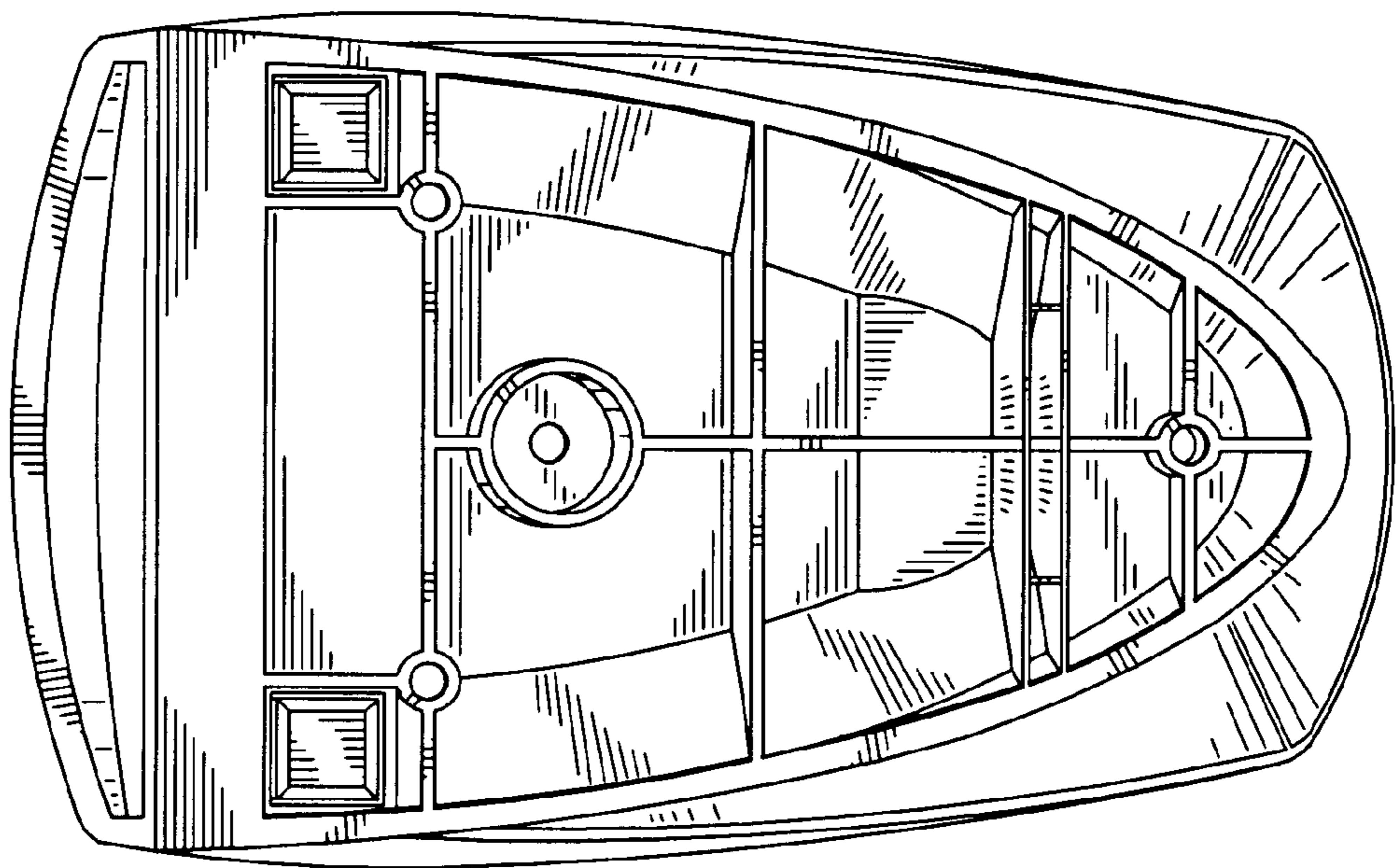


FIG. 7