



US00D454130S

(12) **United States Design Patent**  
**Do et al.**

(10) **Patent No.:** **US D454,130 S**  
(45) **Date of Patent:** **\*\* Mar. 5, 2002**

(54) **WIRELESS ADAPTOR WITH A PORT CONNECTION FOR A LAPTOP COMPANION**

(75) Inventors: **Cuong D. Do**, Reseda; **Nhut T. Ha**, Los Angeles, both of CA (US)

(73) Assignee: **Consumer Direct Link, Inc.**, Irvine, CA (US)

(\*\*) Term: **14 Years**

(21) Appl. No.: **29/129,072**

(22) Filed: **Sep. 6, 2000**

(51) **LOC (7) Cl.** ..... **14-02**

(52) **U.S. Cl.** ..... **D14/433; D13/147**

(58) **Field of Search** ..... D14/433, 496; D13/146, 147, 123, 199; 710/8-10, 12, 14, 19, 22, 100, 129; 345/156; 455/557; 361/686

(56) **References Cited**

**U.S. PATENT DOCUMENTS**

- D340,059 S \* 10/1993 Wetzel et al.
- D375,327 S \* 11/1996 Shigemura et al.
- D393,480 S \* 4/1998 Komuta et al.
- D408,384 S \* 4/1999 Hata et al.
- D419,136 S \* 1/2000 Tomizawa

\* cited by examiner

*Primary Examiner*—M. H. Tung  
(74) *Attorney, Agent, or Firm*—Stout, Uxa, Buyan and Mullins, LLP.

(57) **CLAIM**

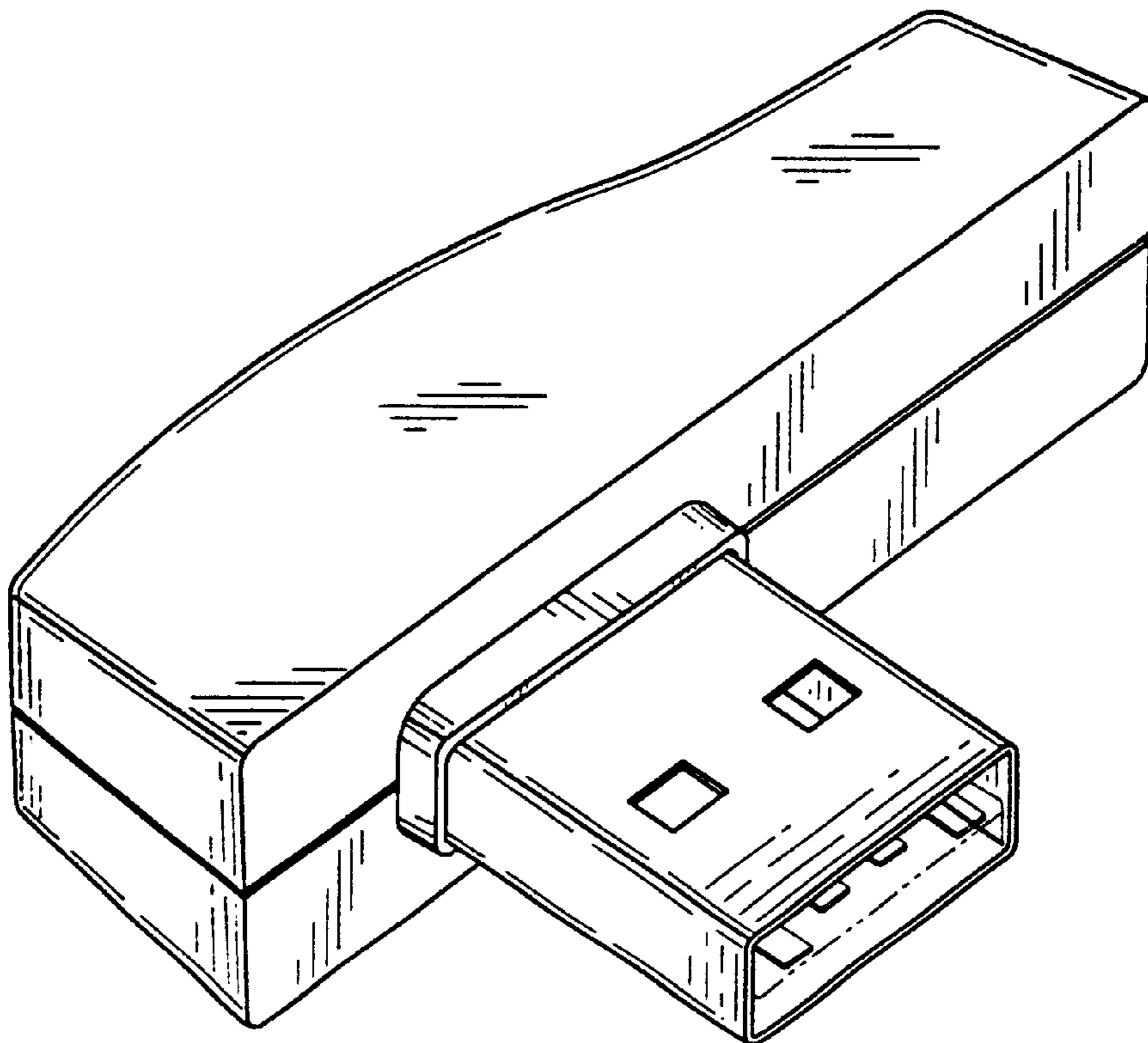
The ornamental design for the wireless adaptor with a port connection for a laptop companion, as shown and described.

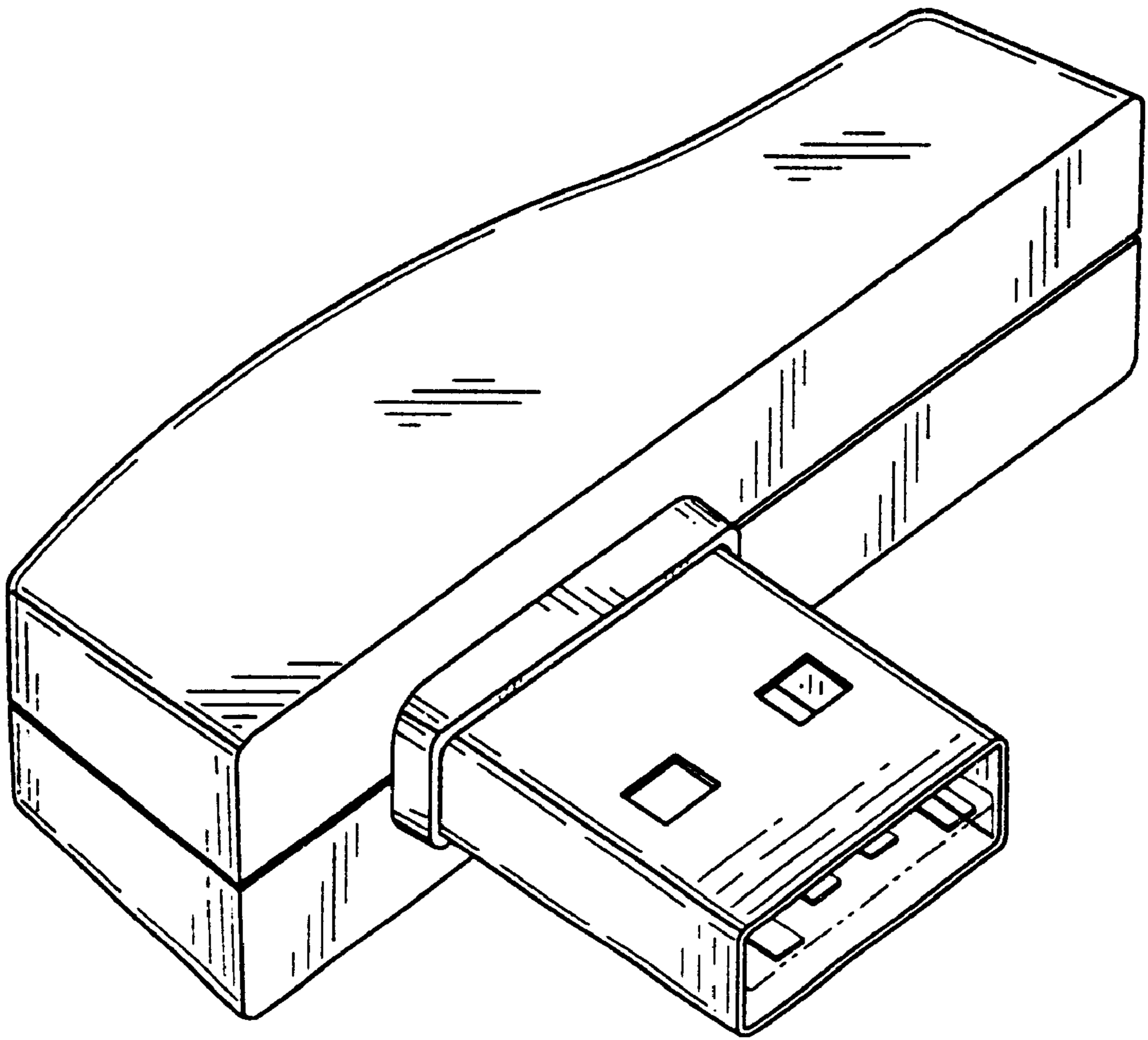
**DESCRIPTION**

A portion of the disclosure of this patent document contains material which is subject to copyright protection. The copyright owner has no objection to the facsimile reproduction by anyone of the patent document or the patent disclosure, as it appears in the Patent and Trademark Office file or records, but otherwise reserves all copyright rights whatsoever.

FIG. 1 is a perspective view of a wireless adaptor with a port connection for a laptop companion;  
FIG. 2 is a front elevational view thereof.  
FIG. 3 is a bottom view thereof.  
FIG. 4 is a left side elevational view thereof, the right side is a mirror image;  
FIG. 5 is a top view thereof; and,  
FIG. 6 is a rear elevational view thereof.  
The broken line in FIGS. 1 and 6 is for illustrative purposes only and forms no part of the claimed design.

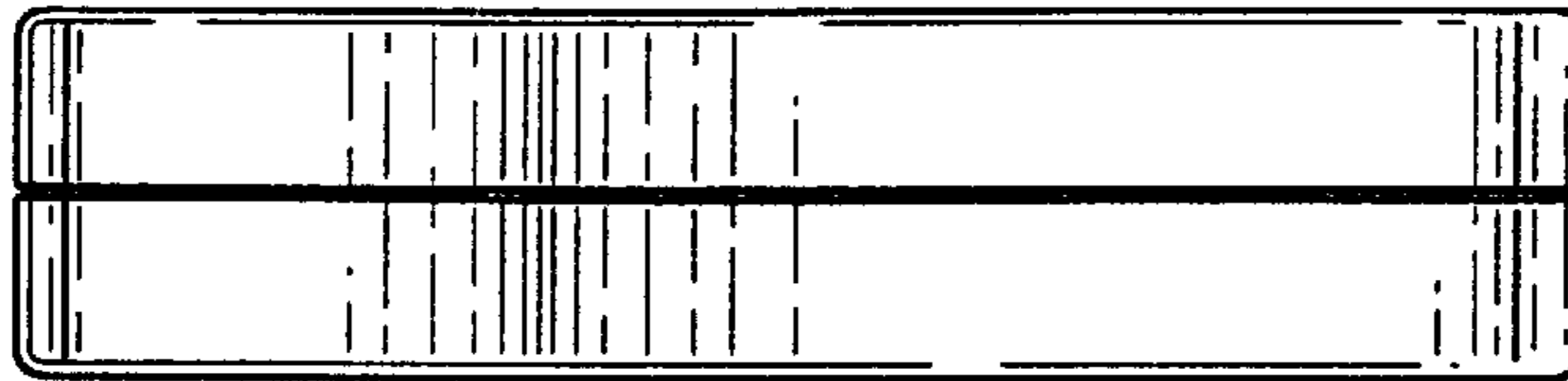
**1 Claim, 2 Drawing Sheets**



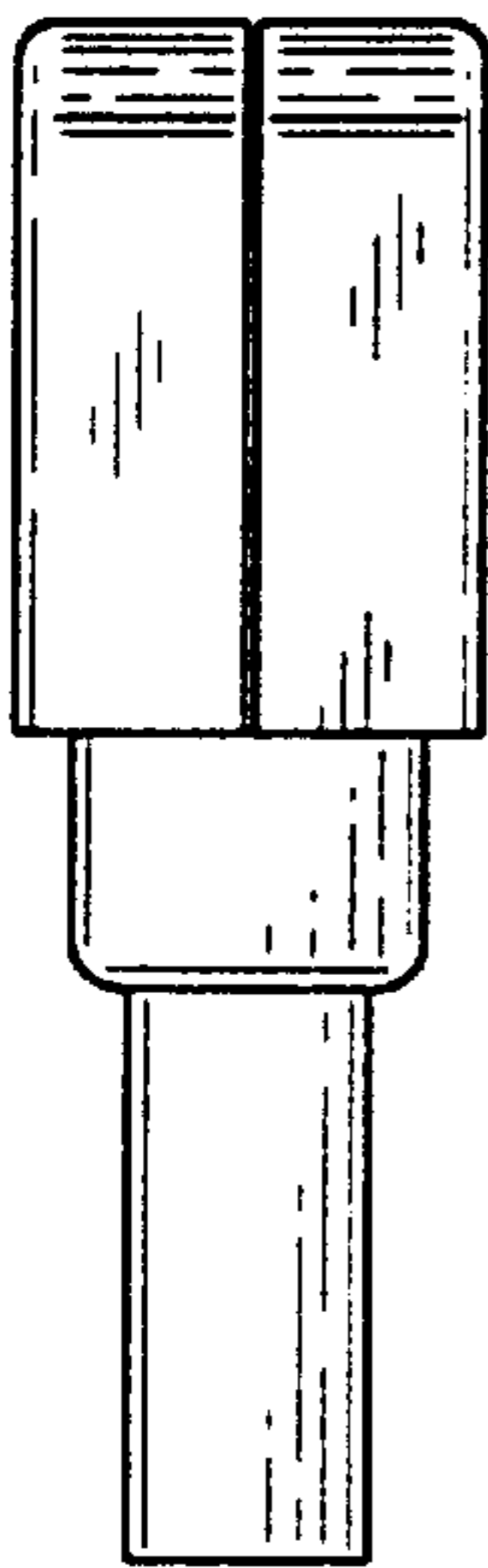


*Fig. 1*

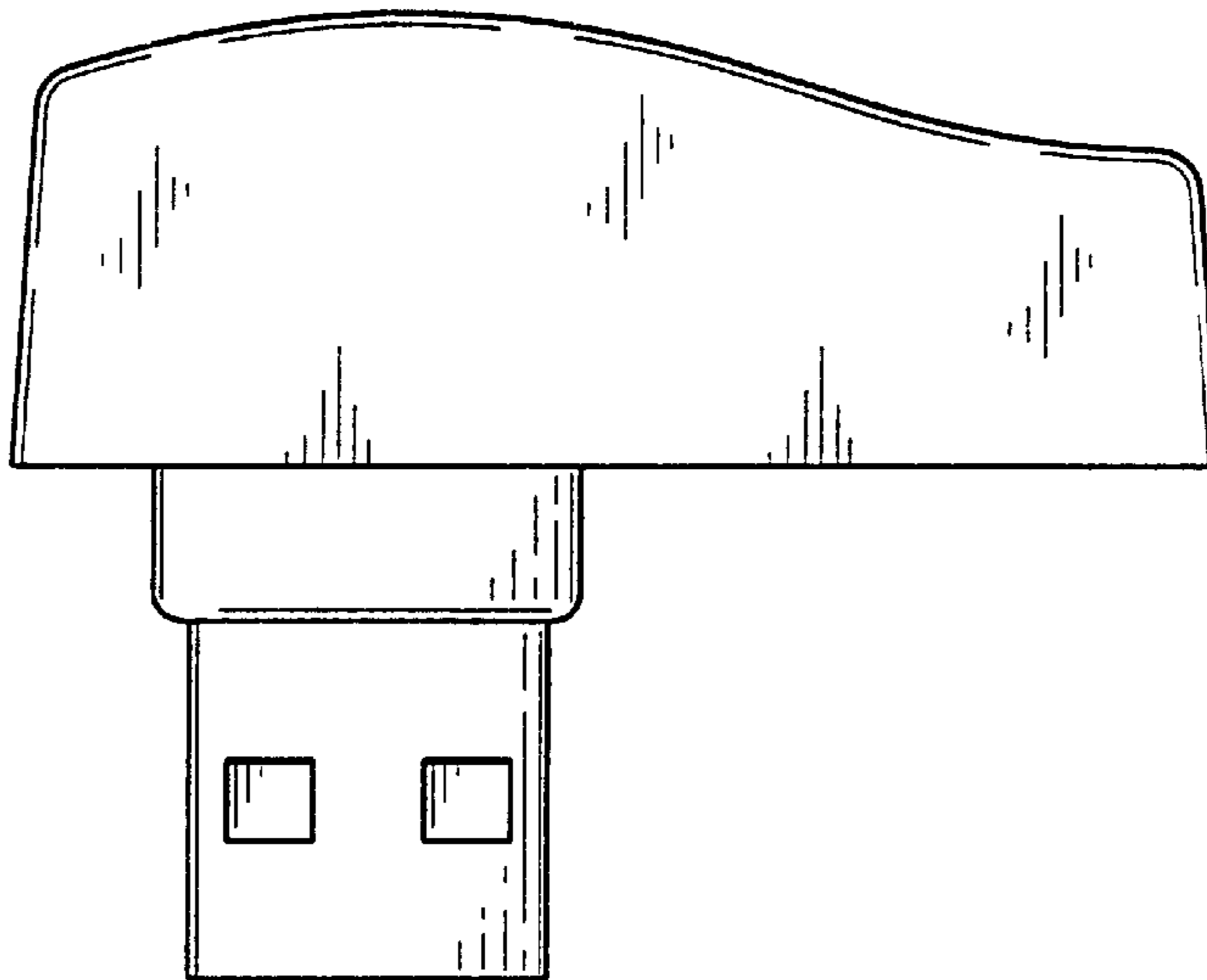
*Fig. 2*



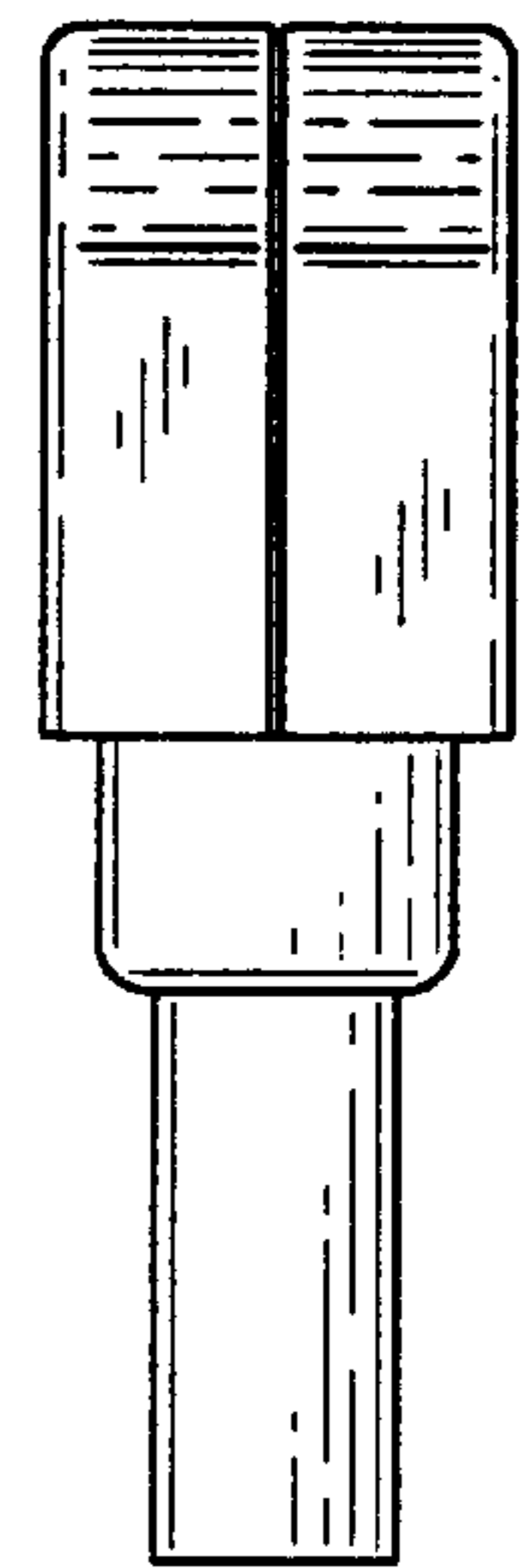
*Fig. 3*



*Fig. 4*



*Fig. 5*



*Fig. 6*

