



US00D454127S

(12) **United States Design Patent**
Henderson et al.

(10) **Patent No.:** **US D454,127 S**
(45) **Date of Patent:** **** Mar. 5, 2002**

(54) **COMMUNICATIONS TERMINAL**

(75) Inventors: **Lee A. Henderson**, Minneapolis; **Larry G. Linde**, Andover, both of MN (US); **Joshua P. G. Lane**, Roswell, GA (US)

(73) Assignee: **Universal Talkware Corporation**, Minneapolis, MN (US)

(**) Term: **14 Years**

(21) Appl. No.: **29/117,424**

(22) Filed: **Jan. 21, 2000**

(51) **LOC (7) Cl.** **14-02**

(52) **U.S. Cl.** **D14/329**

(58) **Field of Search** D14/329-335,
D14/371, 130, 125-129, 140, 142, 150,
240, 241; 379/93.23, 428, 387, 433-436,
419, 420, 440, 93.17, 916; 348/14.08, 14.09

(56) **References Cited**

U.S. PATENT DOCUMENTS

- 4,291,198 A * 9/1981 Anderson et al. 379/93.17
- D292,403 S * 10/1987 Renard D14/329
- D322,961 S * 1/1992 Colbert et al. D14/329
- 5,369,700 A * 11/1994 Koura et al. 379/387
- D368,895 S * 4/1996 Andre et al. D14/329
- D372,225 S * 7/1996 Martino et al. D14/331
- 5,577,118 A * 11/1996 Sasaki et al. 379/428

5,657,378 A * 8/1997 Haddock et al. 379/93.23

* cited by examiner

Primary Examiner—Freda Nunn

(74) *Attorney, Agent, or Firm*—Howrey Simon Arnold & White, LLP

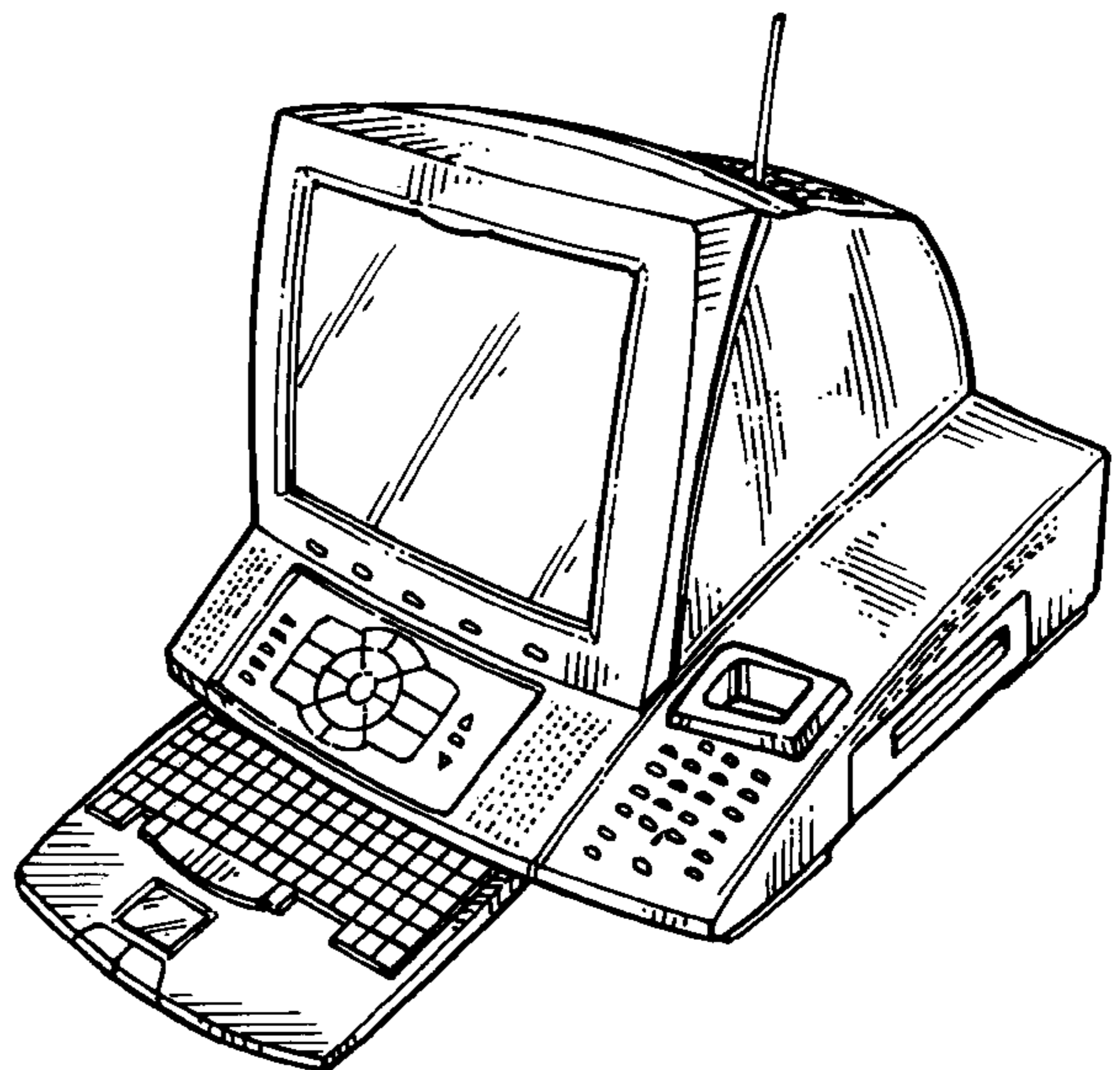
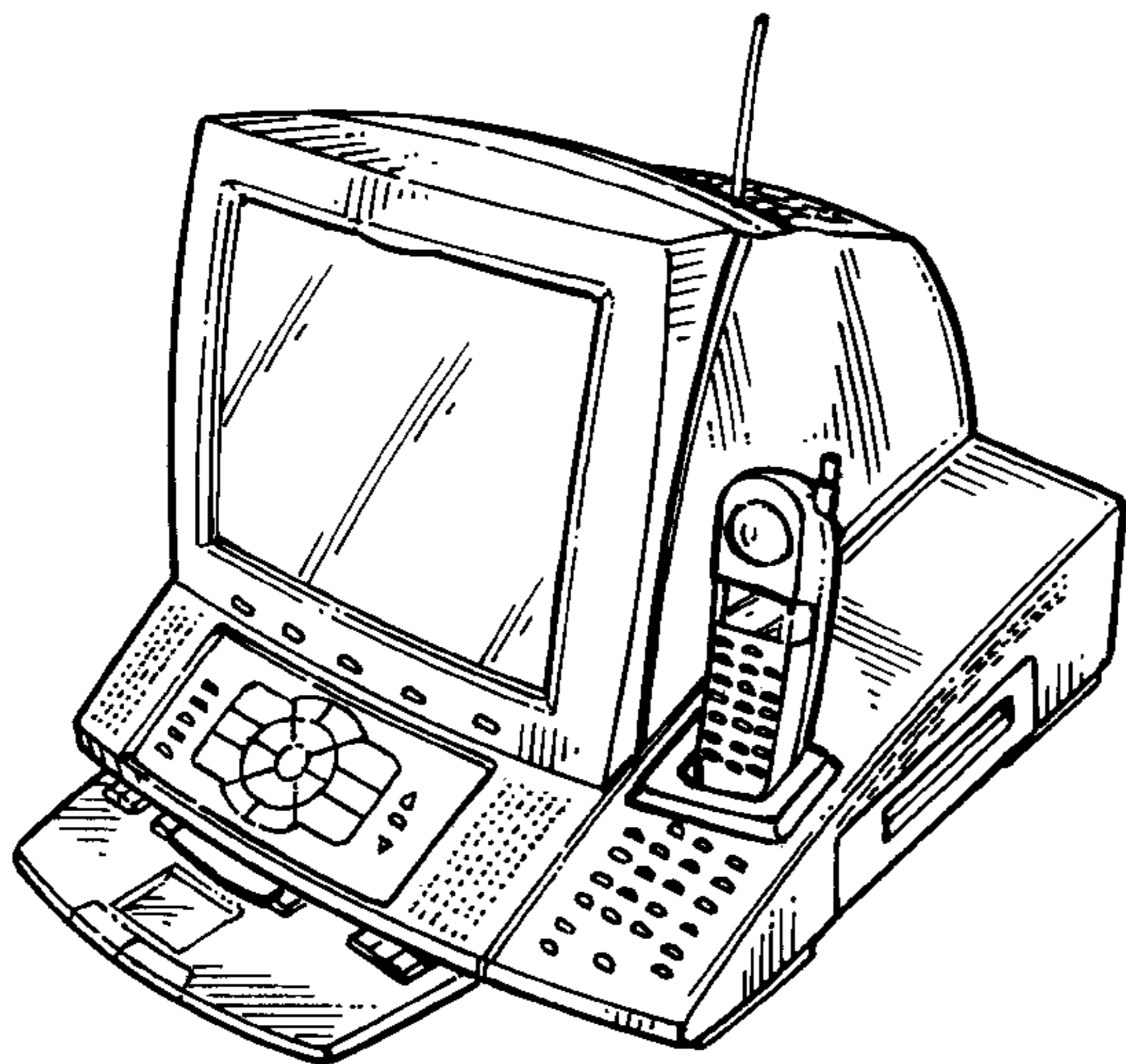
(57) **CLAIM**

The ornamental design for a communications terminal, as shown and described.

DESCRIPTION

FIG. 1 is a top, front and right perspective view of a communications terminal showing our new design; FIG. 2 is a top, front and left perspective view thereof; FIG. 3 is a top, rear and left perspective view thereof; FIG. 4 is a top, rear and right perspective view thereof; FIG. 5 is a front view thereof; FIG. 6 is a rear view thereof; FIG. 7 is a right side view thereof; FIG. 8 is a left side view thereof; FIG. 9 is a top view thereof; FIG. 10 is a bottom view thereof; and, FIG. 11 is a top, front and right perspective view thereof, illustrating the communications terminal with the telephone handset removed and the keyboard extended. The key labels and other surface indicia are exemplary only, and form no part of the claimed invention.

1 Claim, 6 Drawing Sheets



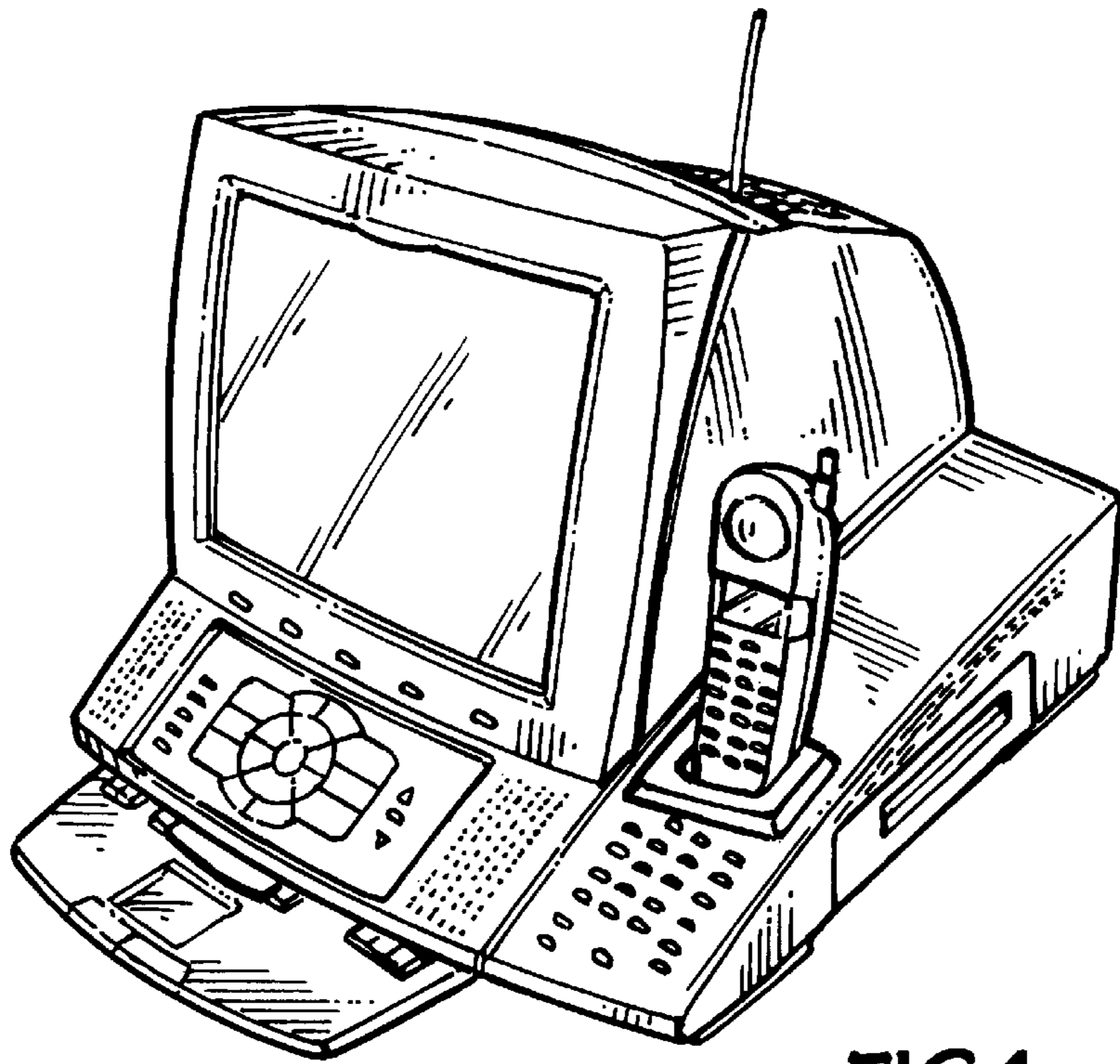
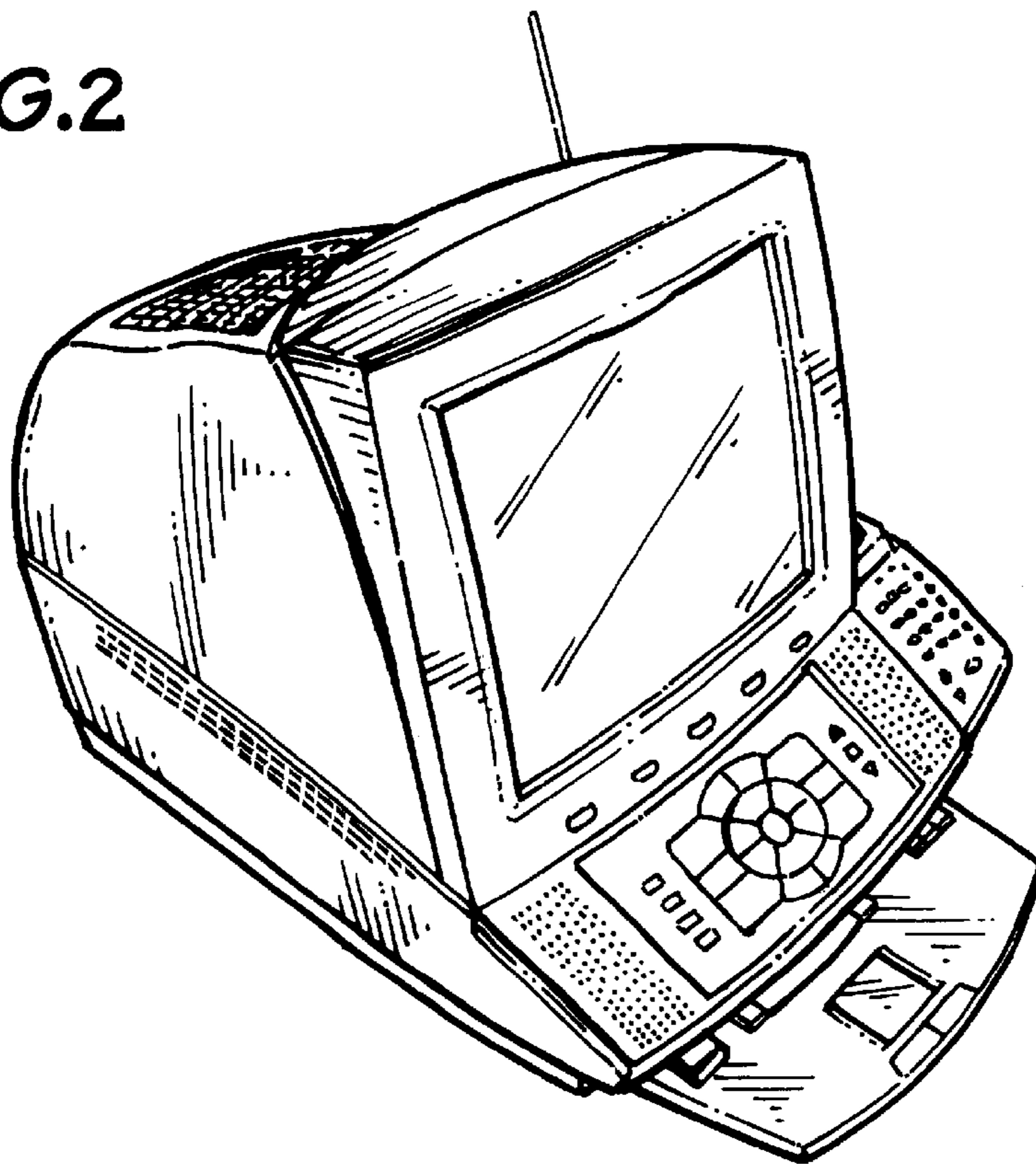


FIG. 1

FIG. 2



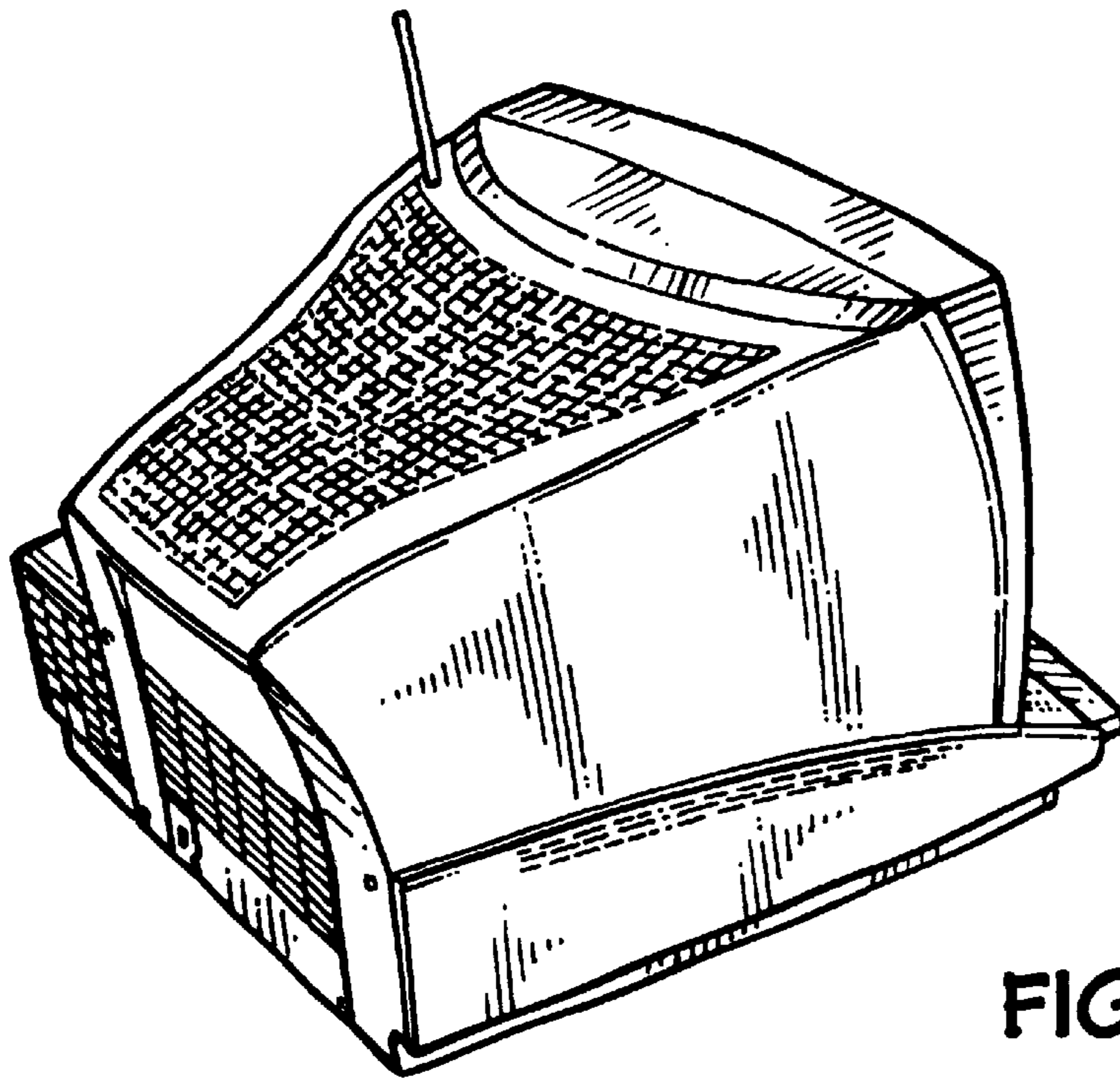


FIG.3

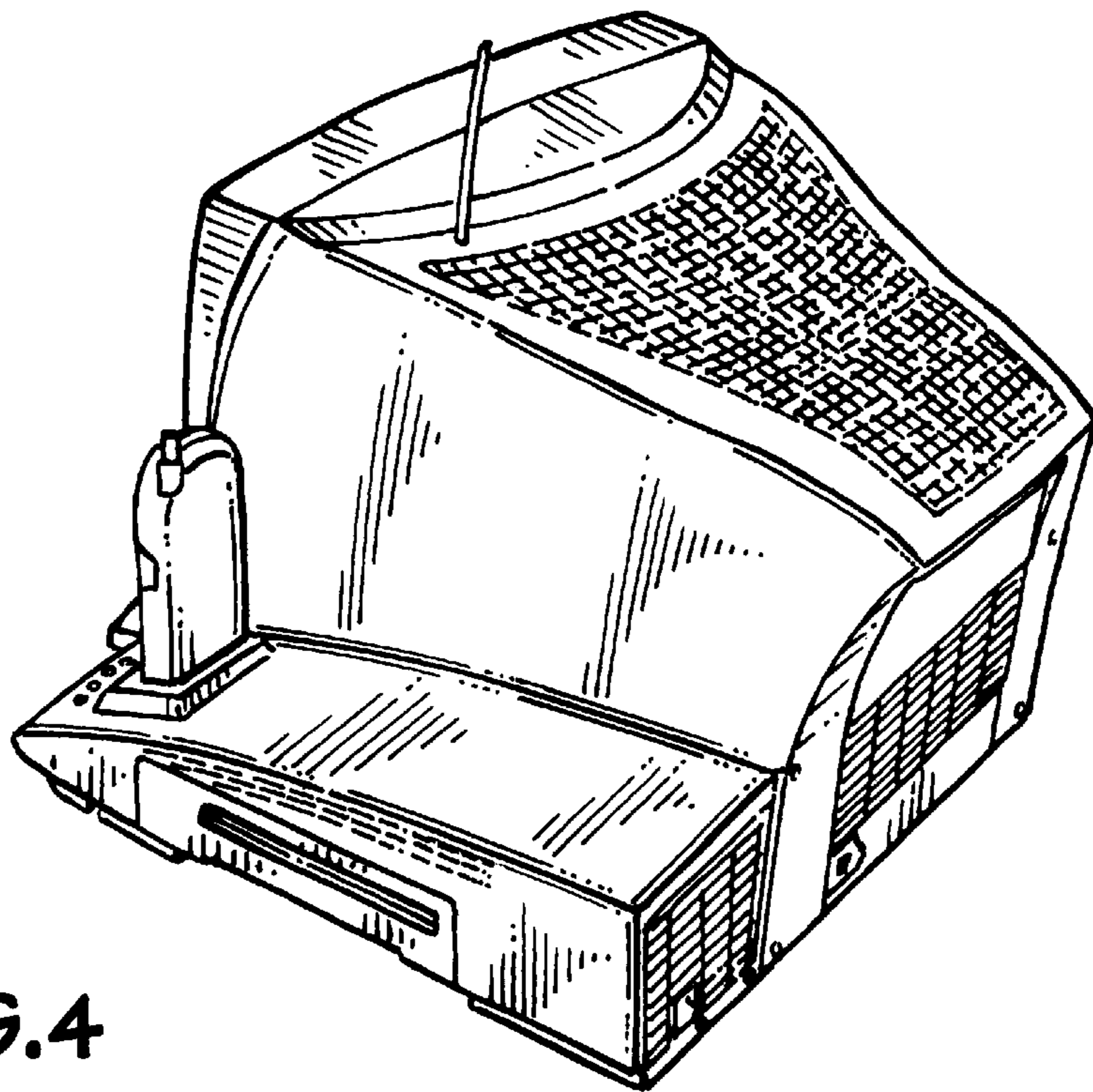


FIG.4

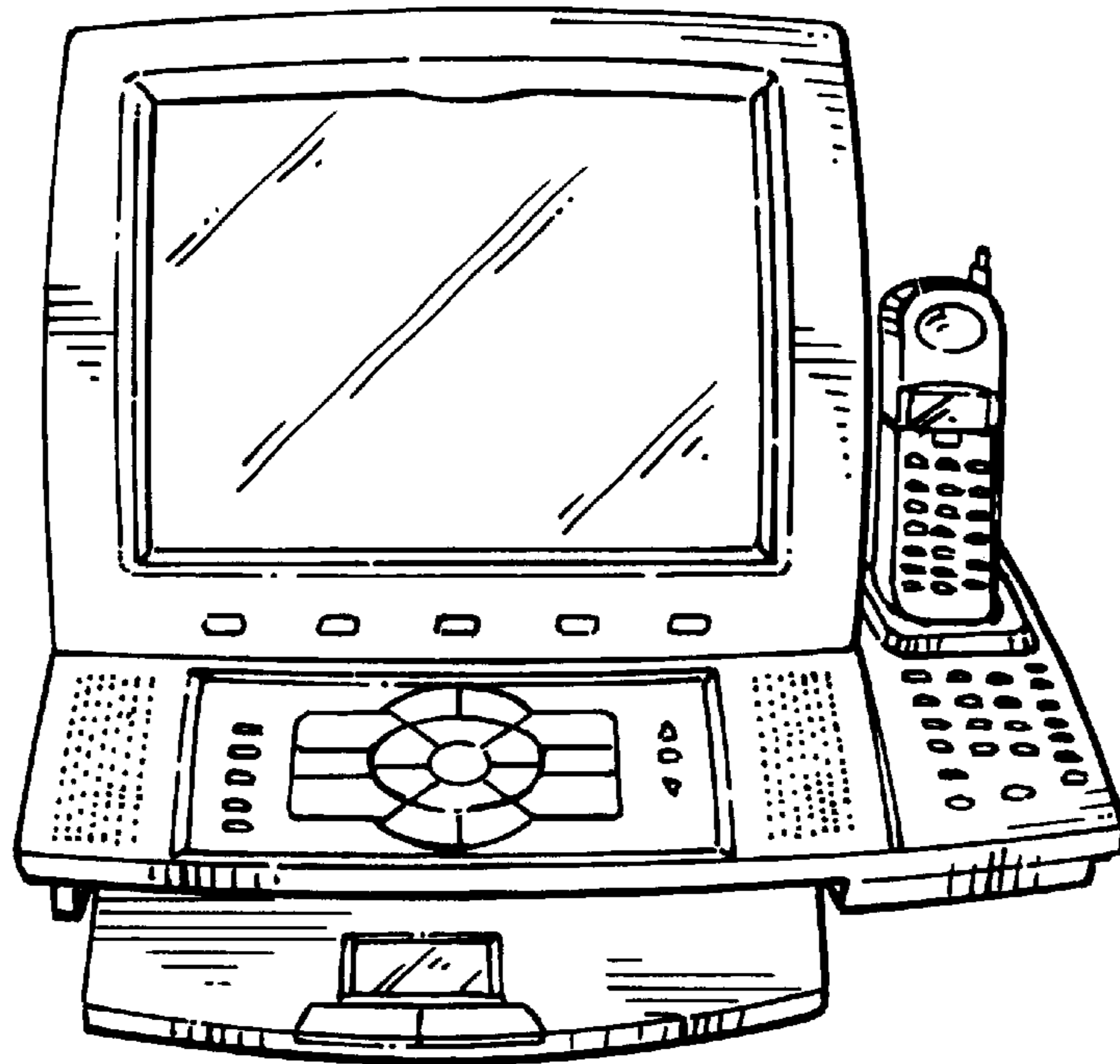


FIG. 5

FIG. 6

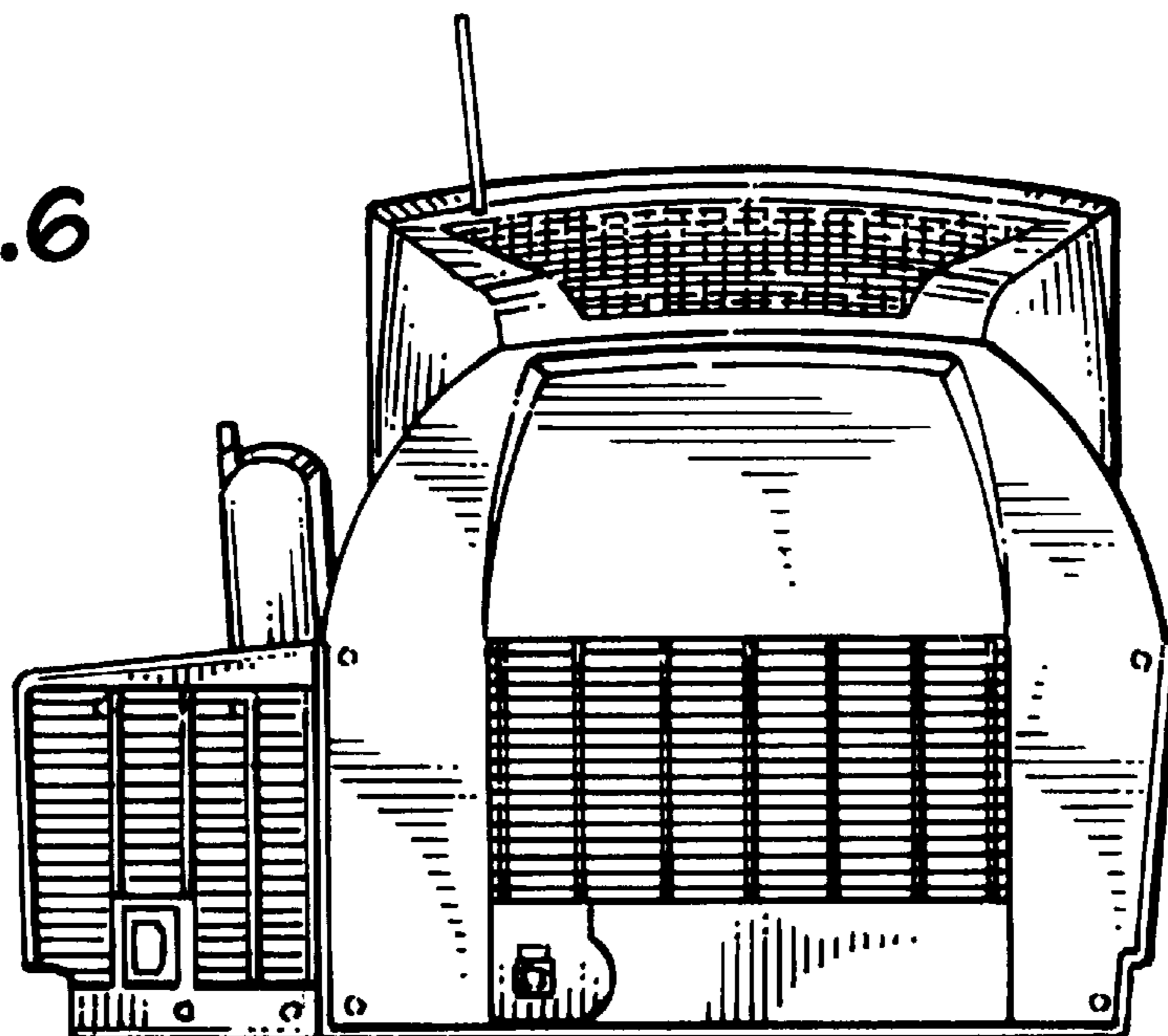


FIG.7

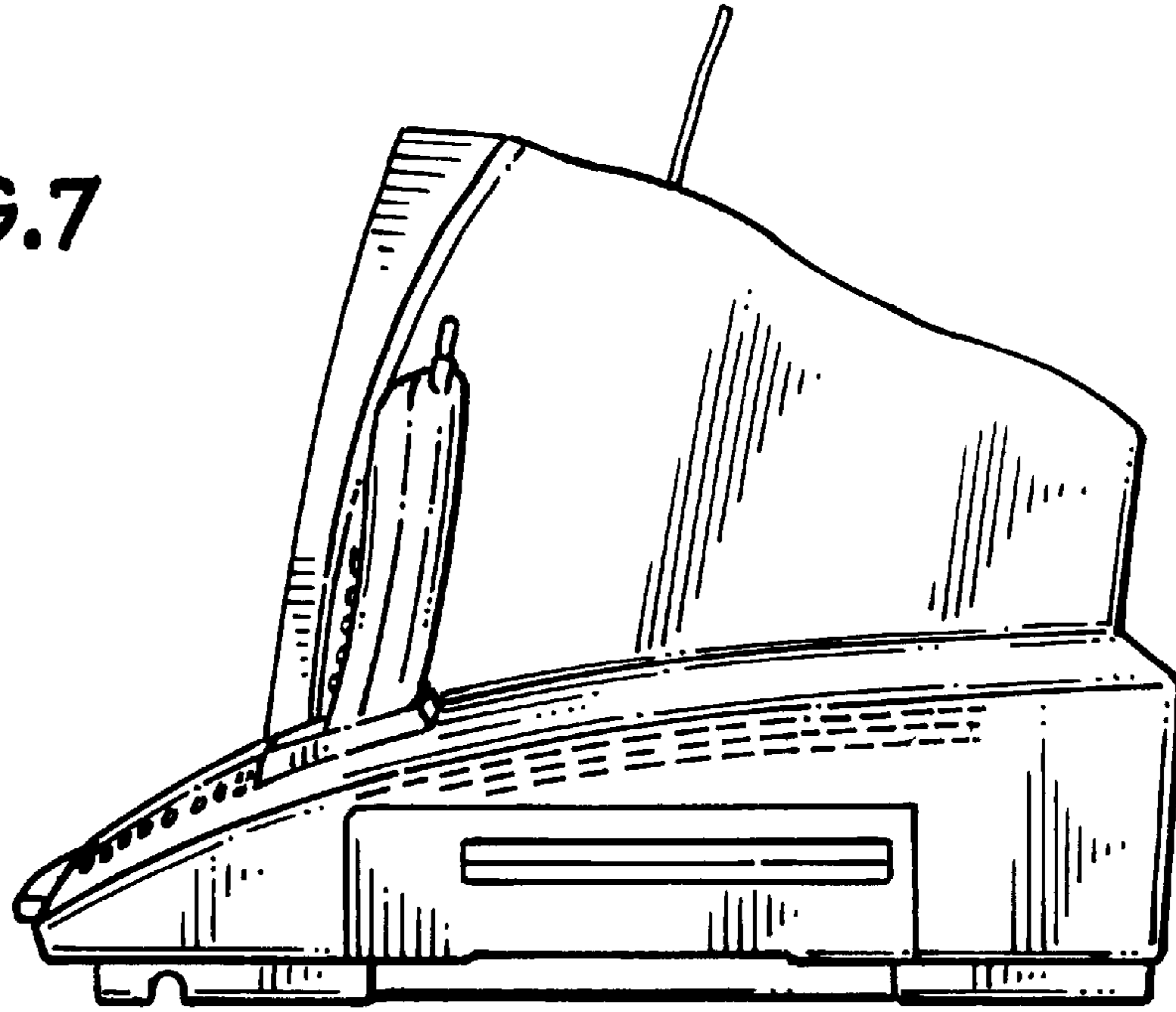


FIG.8

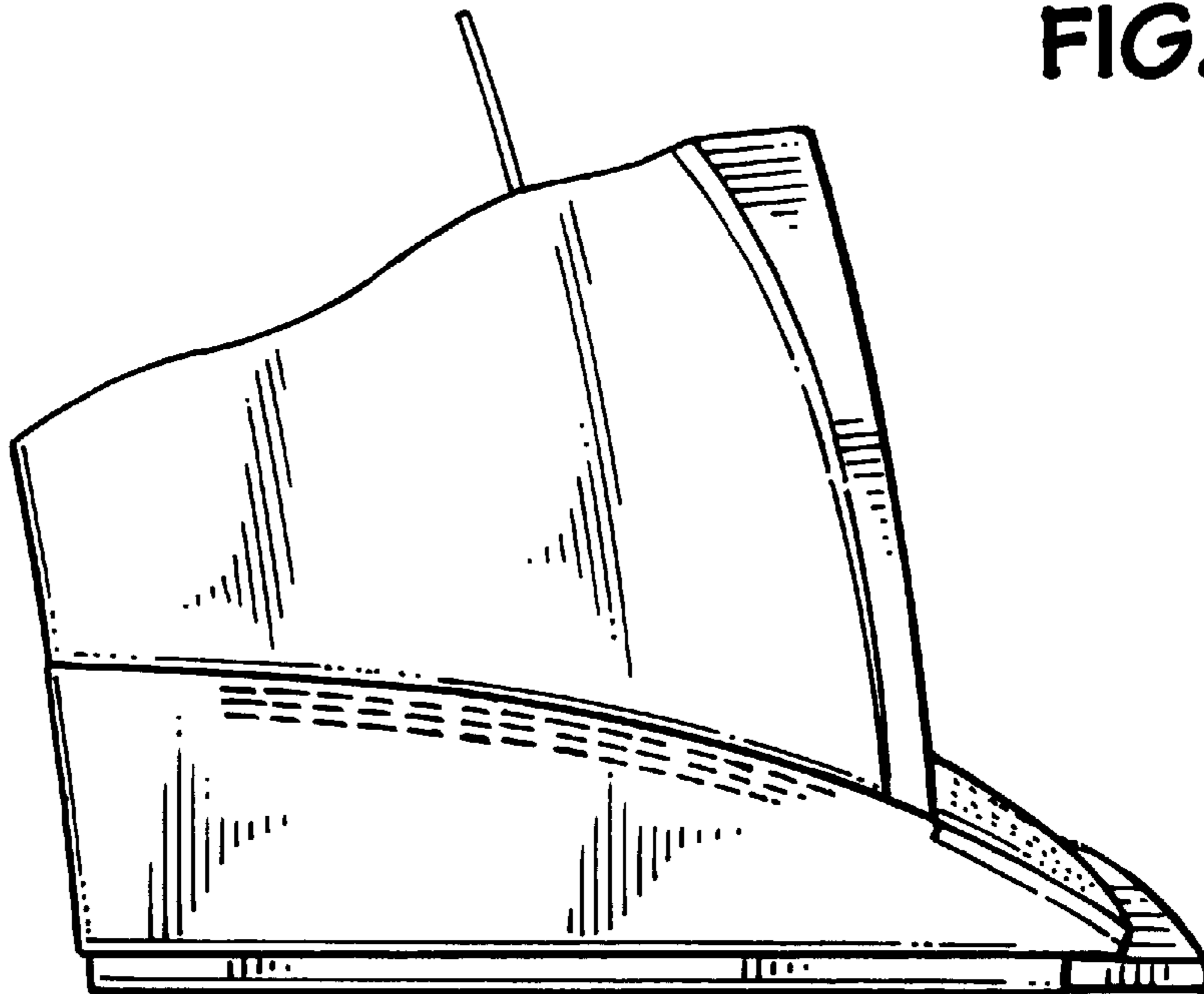


FIG.9

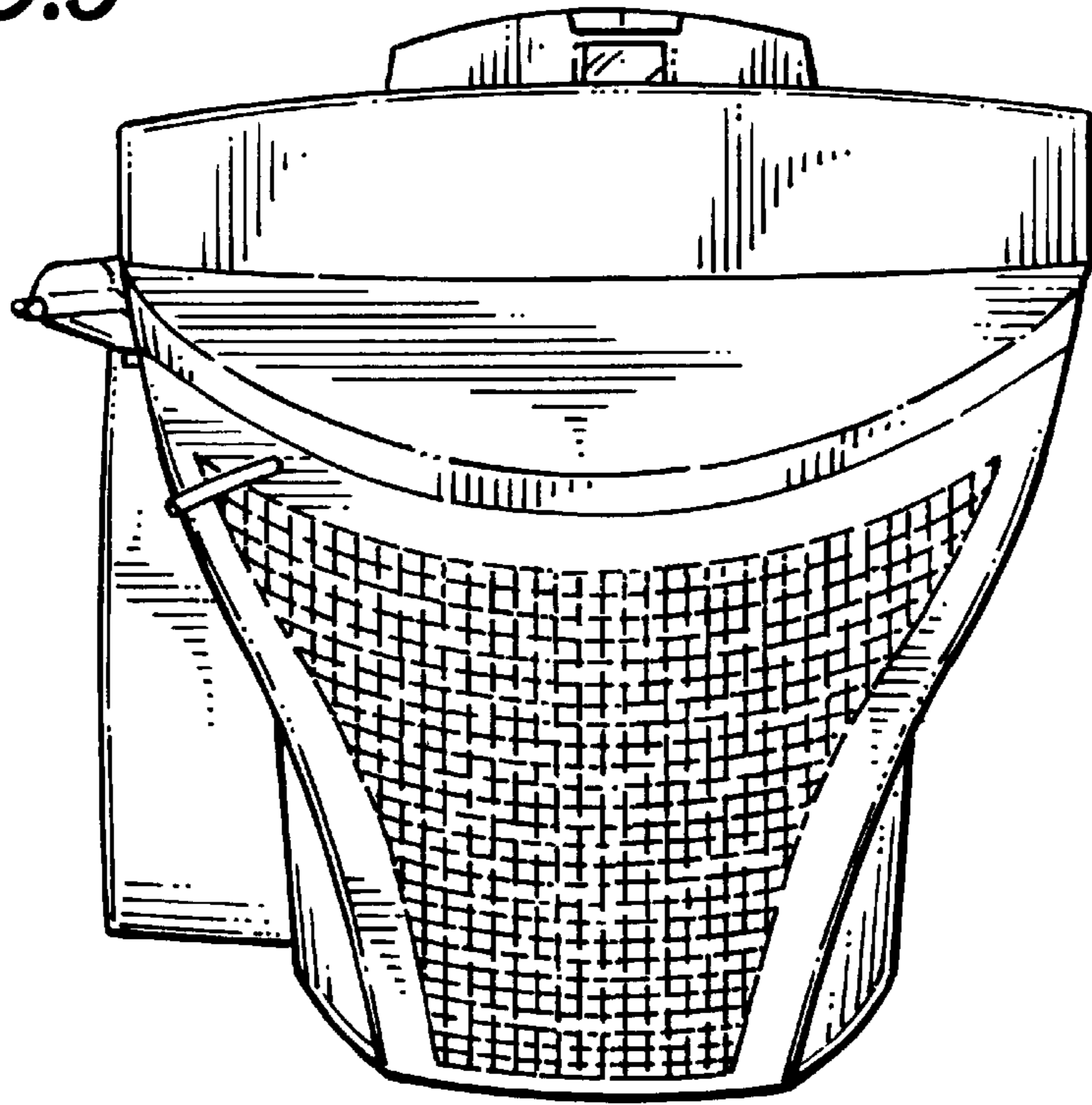
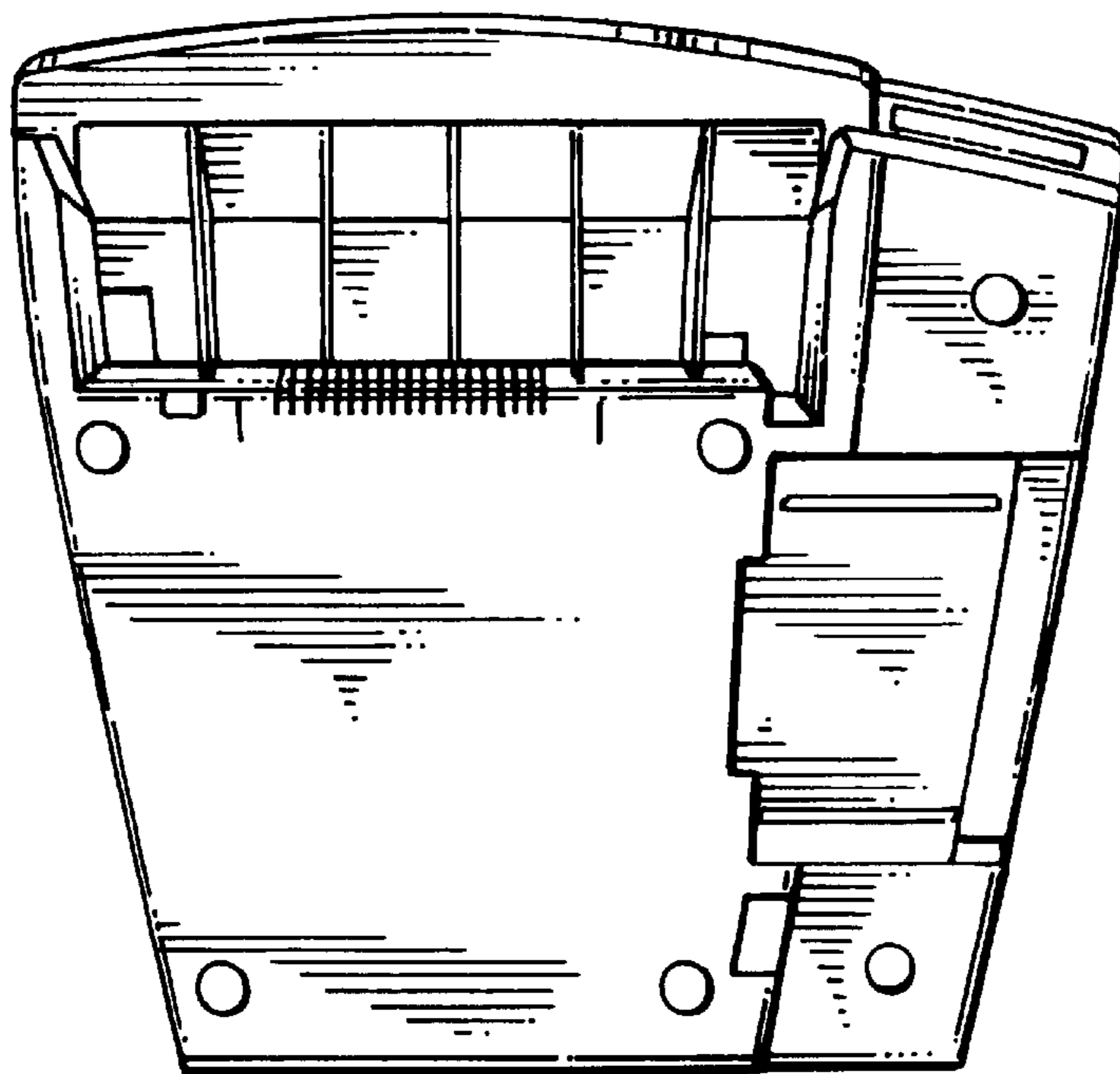


FIG.10



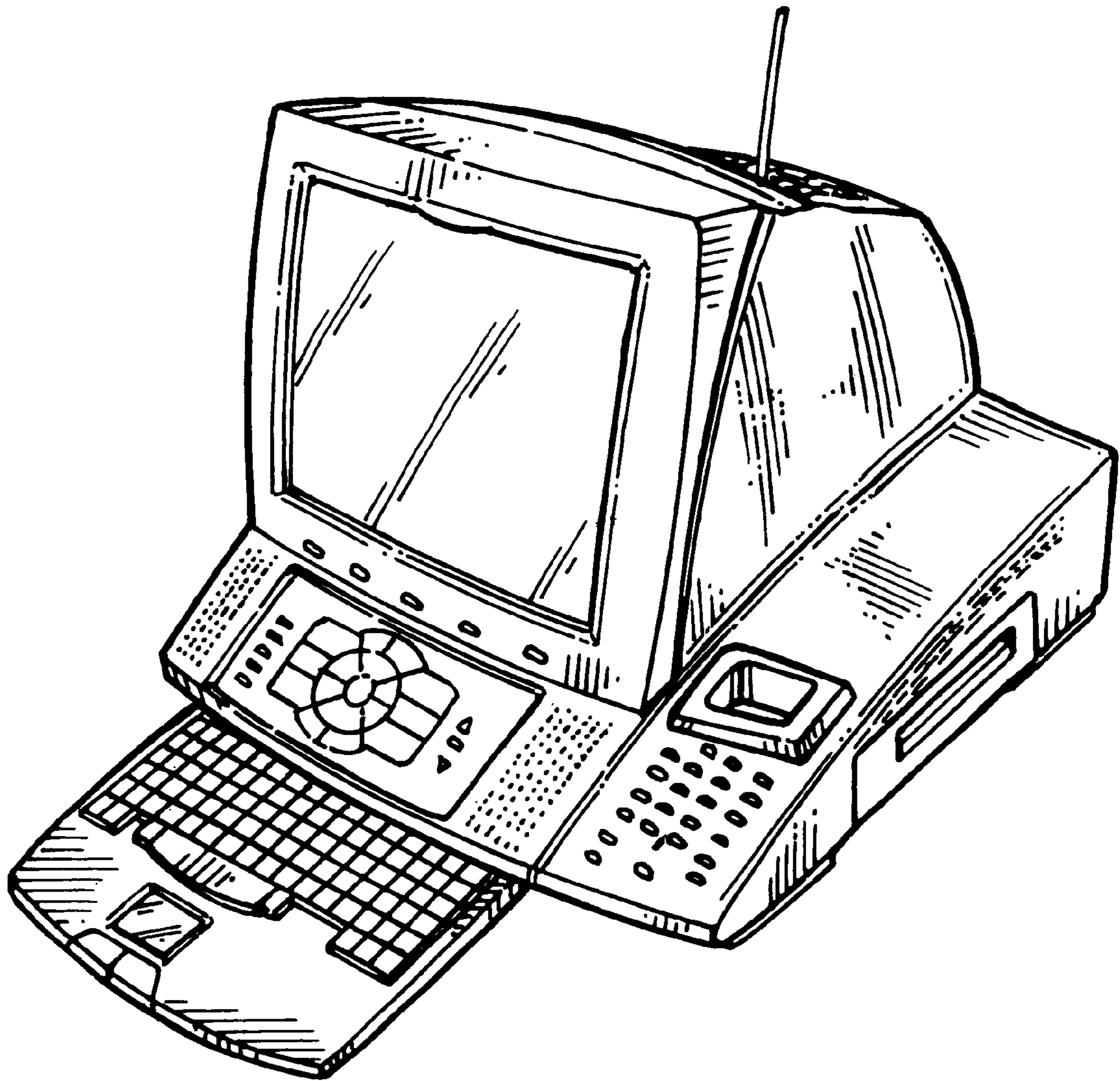


FIG.11