



US00D454125S

(12) **United States Design Patent**
Stout et al.

(10) **Patent No.:** **US D454,125 S**
(45) **Date of Patent:** **** Mar. 5, 2002**

(54) **ANTENNA**

(75) Inventors: **Gary H. Stout**, Farmington; **John Marshall**, Provo; **Ryan A. Kunz**, Roy; **Kenneth S. Morley**, Draper; **Darrin J. Gibbs**, South Jordan; **Jeffrey L. Jones**, Orem, all of UT (US)

(73) Assignee: **3Com Corporation**, Santa Clara, CA (US)

(**) Term: **14 Years**

(21) Appl. No.: **29/129,244**

(22) Filed: **Sep. 8, 2000**

(51) **LOC (7) Cl.** **14-03**

(52) **U.S. Cl.** **D14/230; 343/882**

(58) **Field of Search** D14/230-238,
D14/248; 343/720, 900, 713, 878, 905,
906, 715, 749, 752, 895, 714, 806, 802,
823, 805, 872, 705, 708, 741, 840, 882,
702, 873, 881

(56) **References Cited**

U.S. PATENT DOCUMENTS

D411,204 S	*	6/1999	Nagele et al.	D14/248
D418,839 S	*	1/2000	Brunner	D14/230
D431,558 S	*	10/2000	Winstead	D14/248

* cited by examiner

Primary Examiner—Louis S. Zarfes

Assistant Examiner—Gregory Andoll

(74) *Attorney, Agent, or Firm*—Workman, Nydegger & Seeley

(57) **CLAIM**

The ornamental design for an antenna, as shown and described.

DESCRIPTION

FIG. 1 is a front end, right side and top perspective view of the antenna in a closed position;

FIG. 2 is a front end, right side and top perspective view of the antenna in a partially open position;

FIG. 3 is a front end, right side and top perspective view of the antenna in a fully open position;

FIG. 4 is a top planar view of the antenna in a closed position;

FIG. 5 is a top planar view of the antenna in a partially open position;

FIG. 6 is a top planar view of the antenna in a fully open position;

FIG. 7 is a bottom planar view of the antenna in a closed position;

FIG. 8 is a bottom planar view of the antenna in a partially open position;

FIG. 9 is a bottom planar view of the antenna in a fully open position;

FIG. 10 is a right side elevational view of the antenna in a closed position;

FIG. 11 is a right side elevational view of the antenna in a partially open position;

FIG. 12 is a right side elevational view of the antenna in a fully open position;

FIG. 13 is a front end elevational view of the antenna in a closed position;

FIG. 14 is a front end elevational view of the antenna in a partially open position;

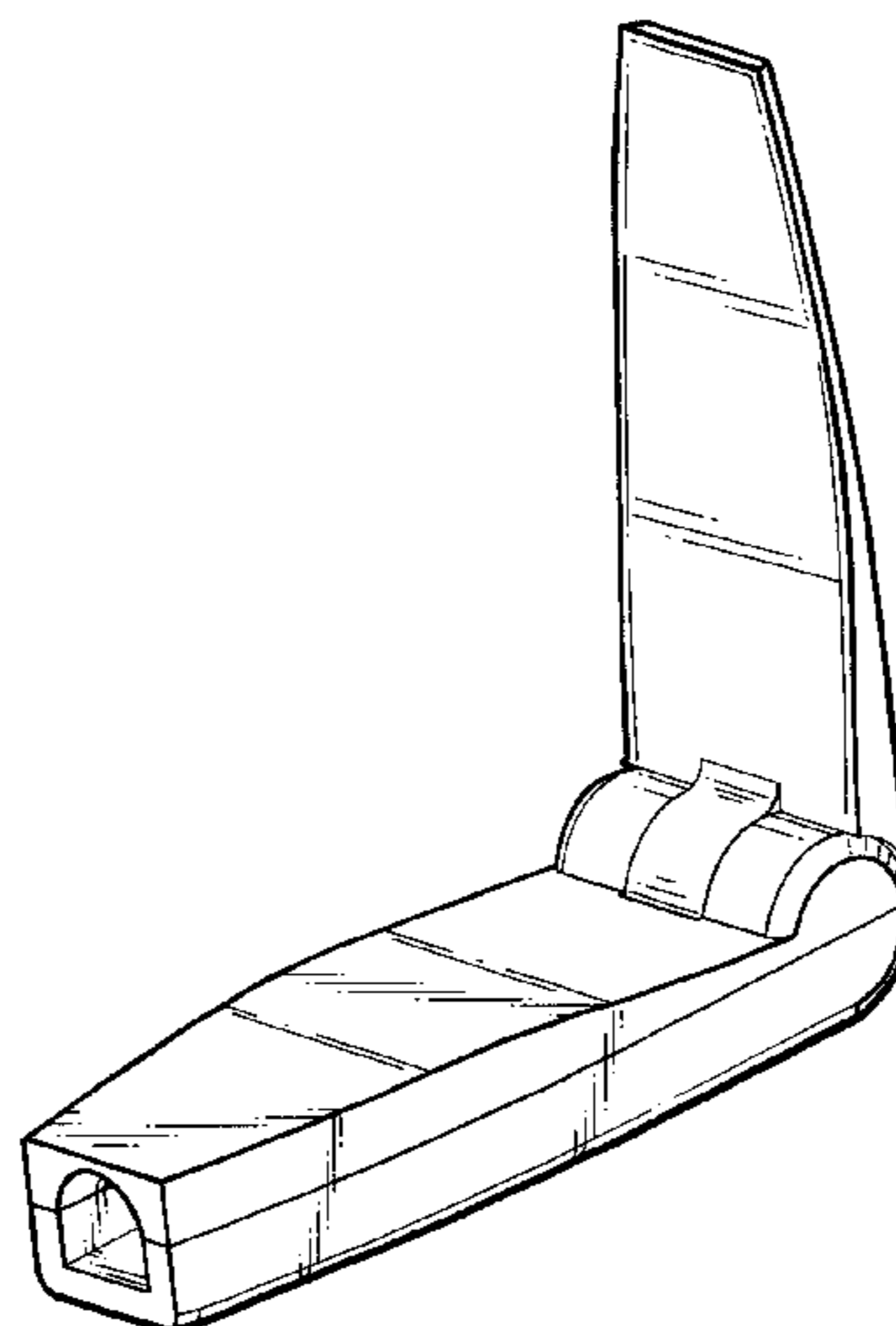
FIG. 15 is a front end elevational view of the antenna in a fully open position;

FIG. 16 is a back end elevational view of the antenna in a closed position;

FIG. 17 is a back end elevational view of the antenna in a partially open position; and,

FIG. 18 is a back end elevational view of the antenna in a fully open position.

1 Claim, 6 Drawing Sheets



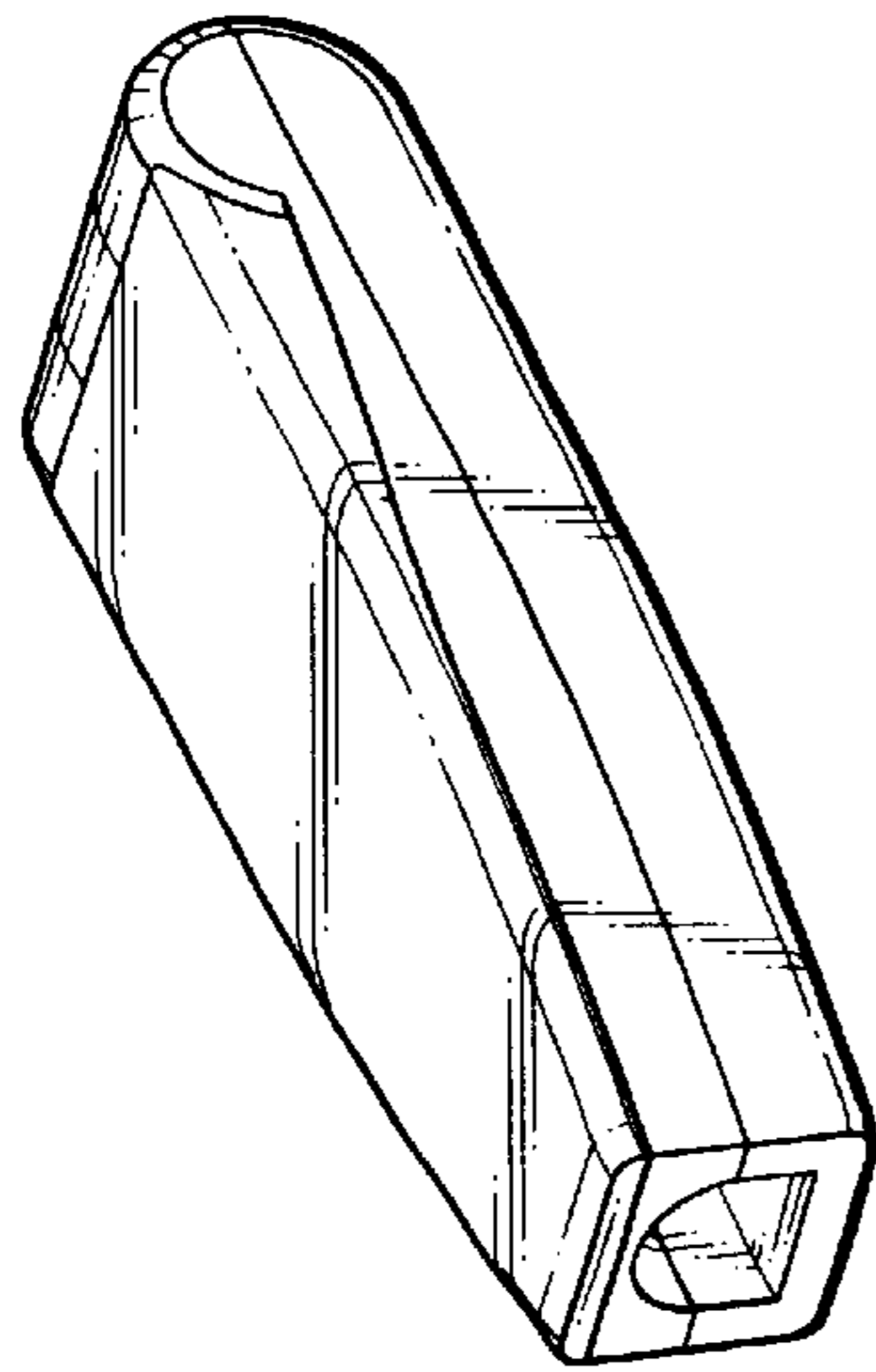


Fig. 1

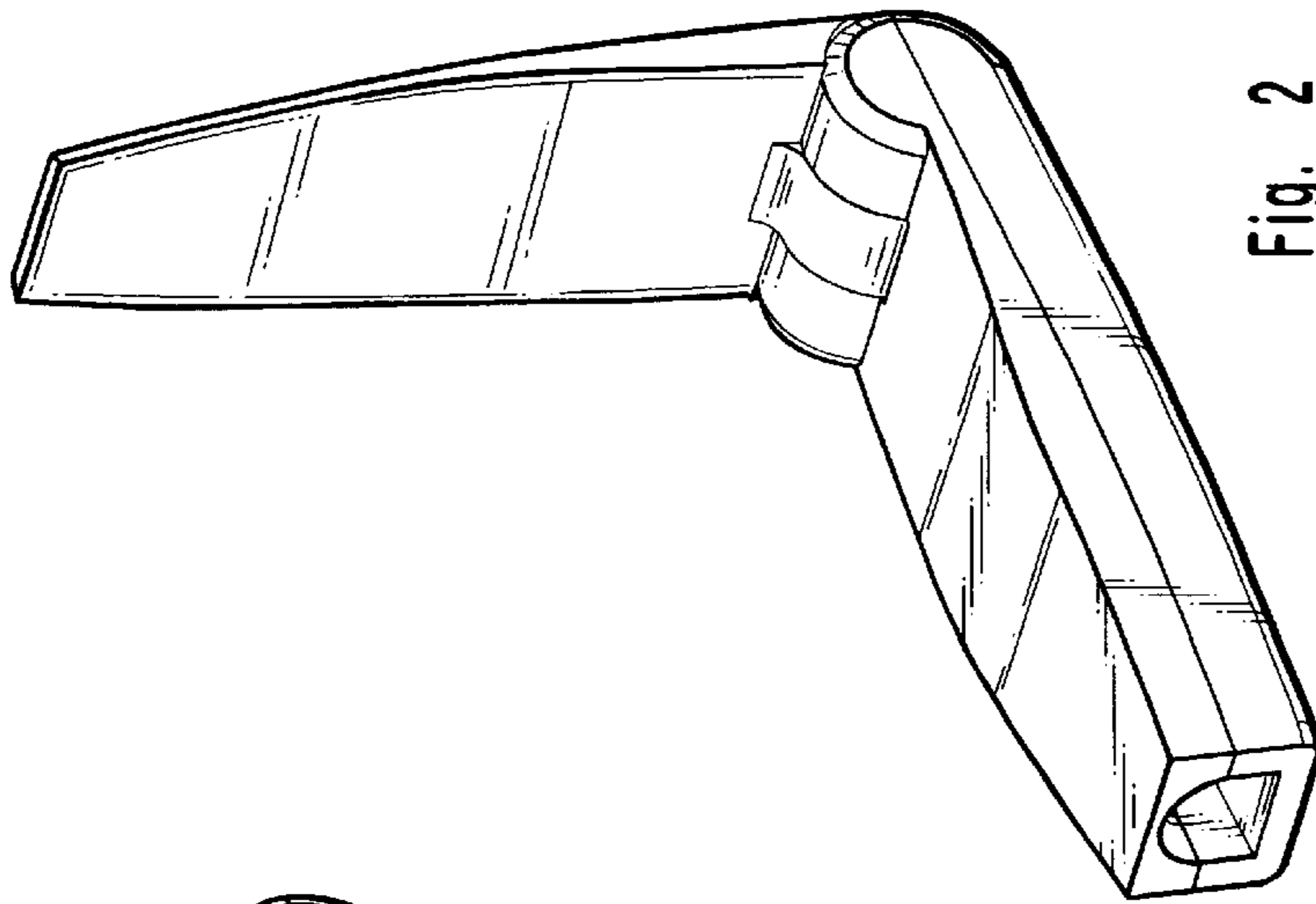


Fig. 2

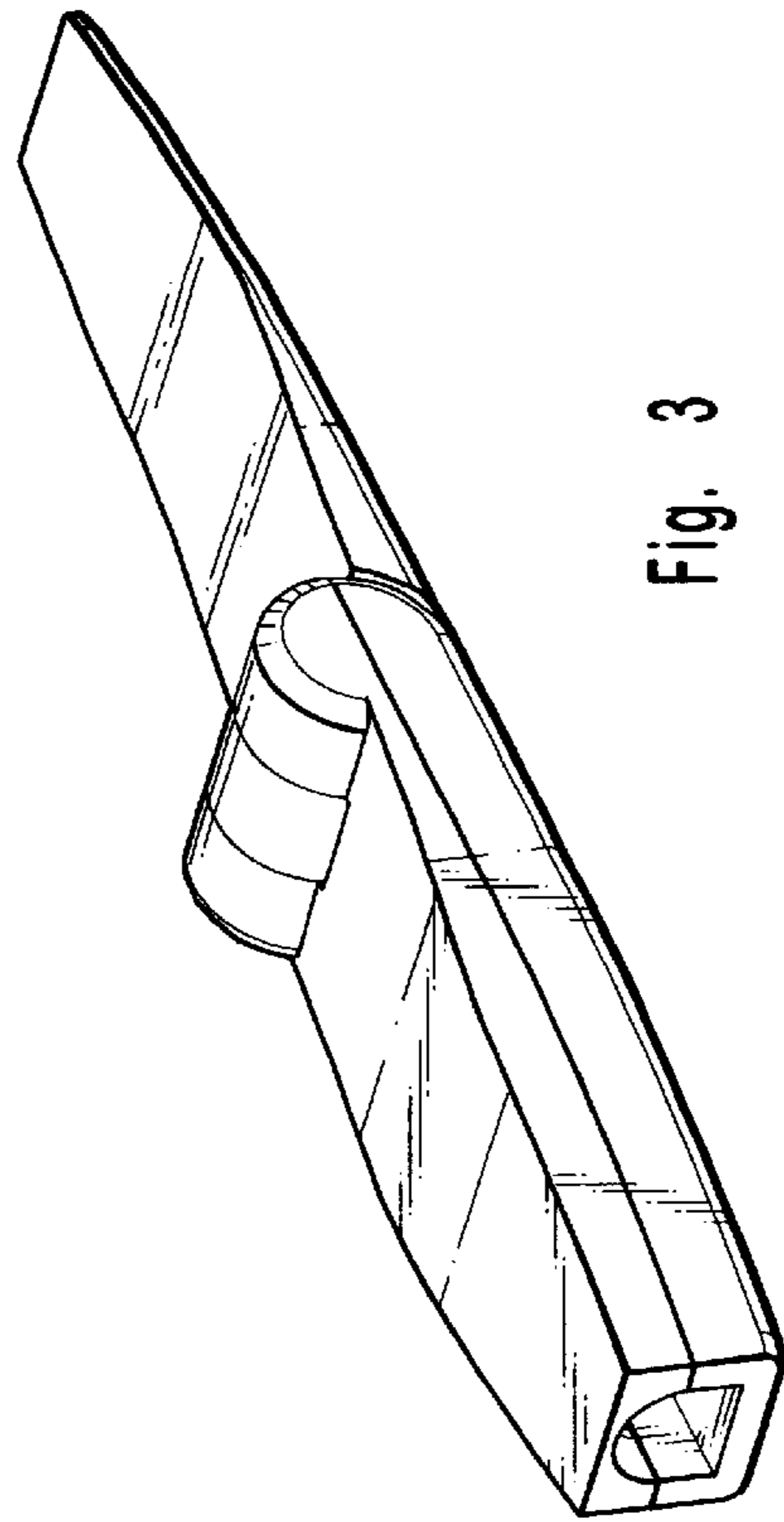


Fig. 3

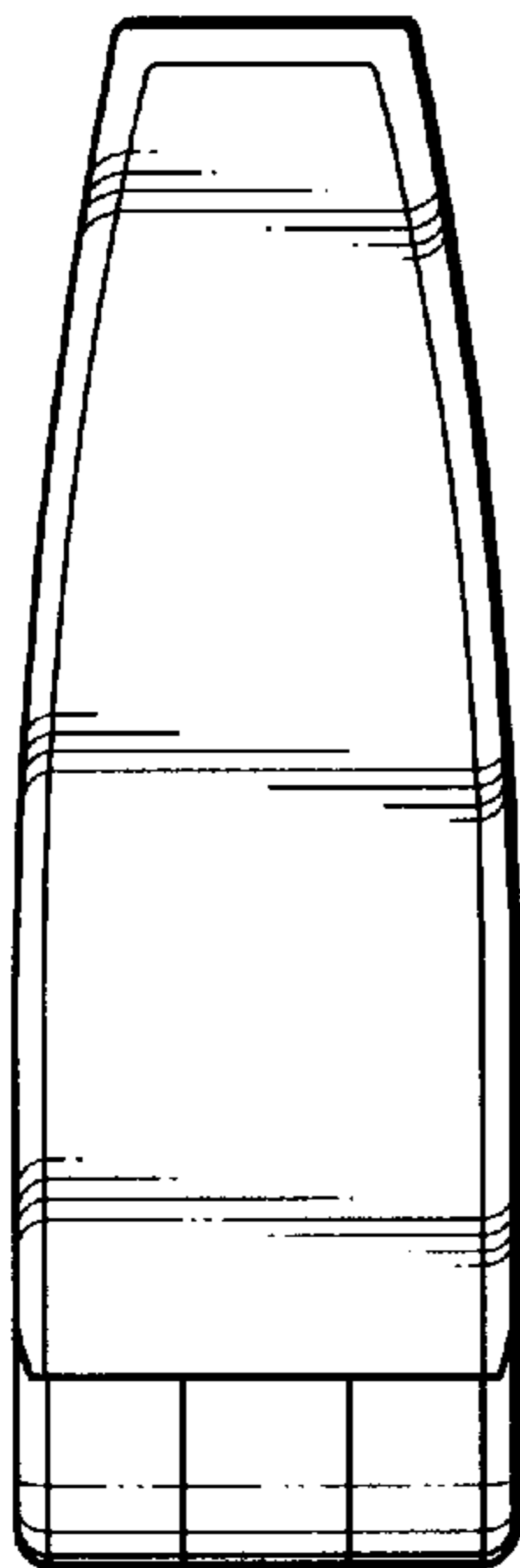


Fig. 4

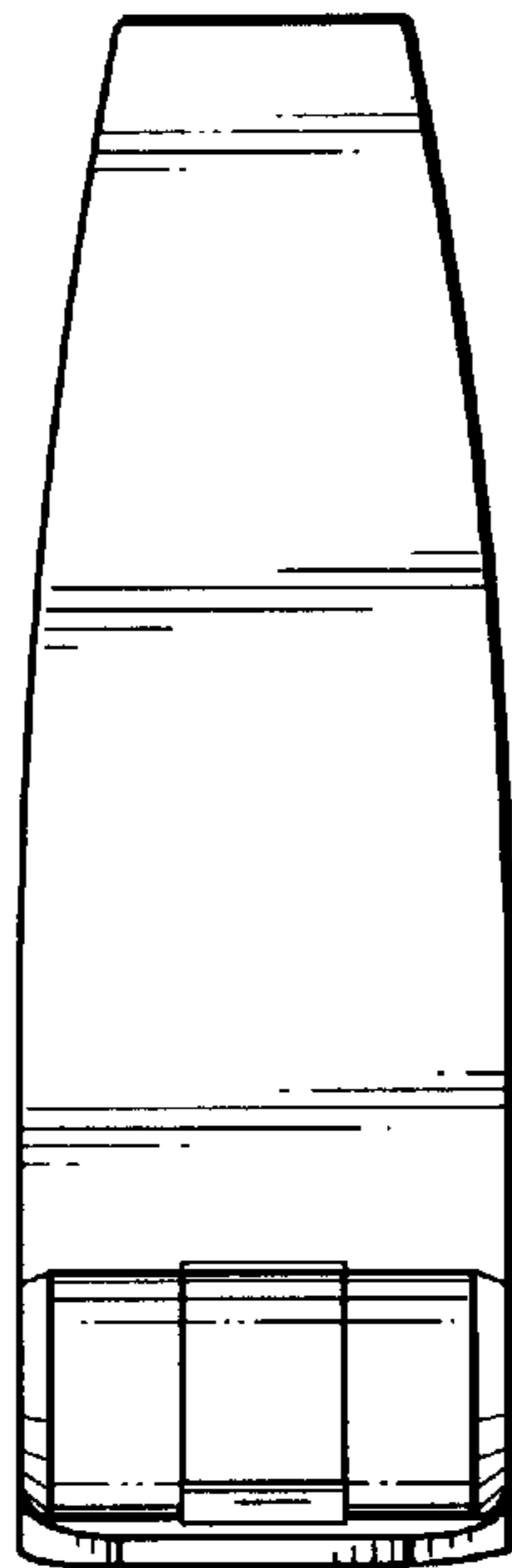


Fig. 5

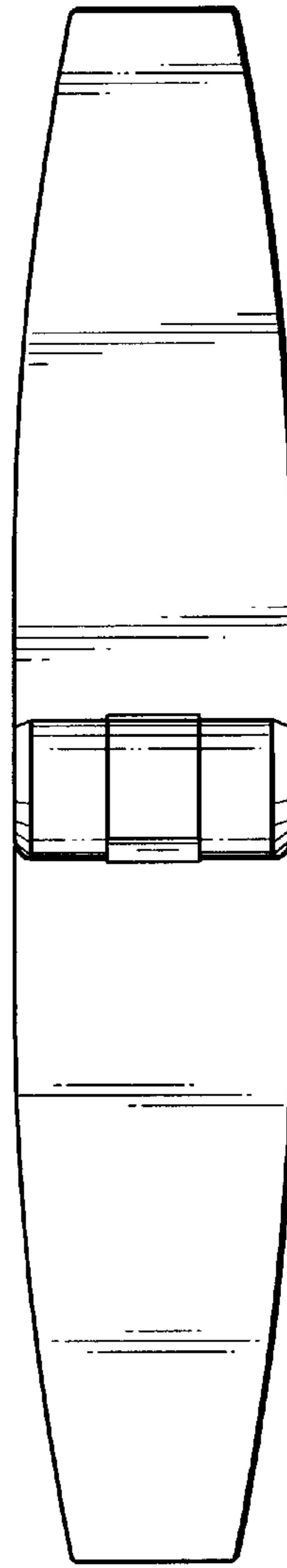


Fig. 6

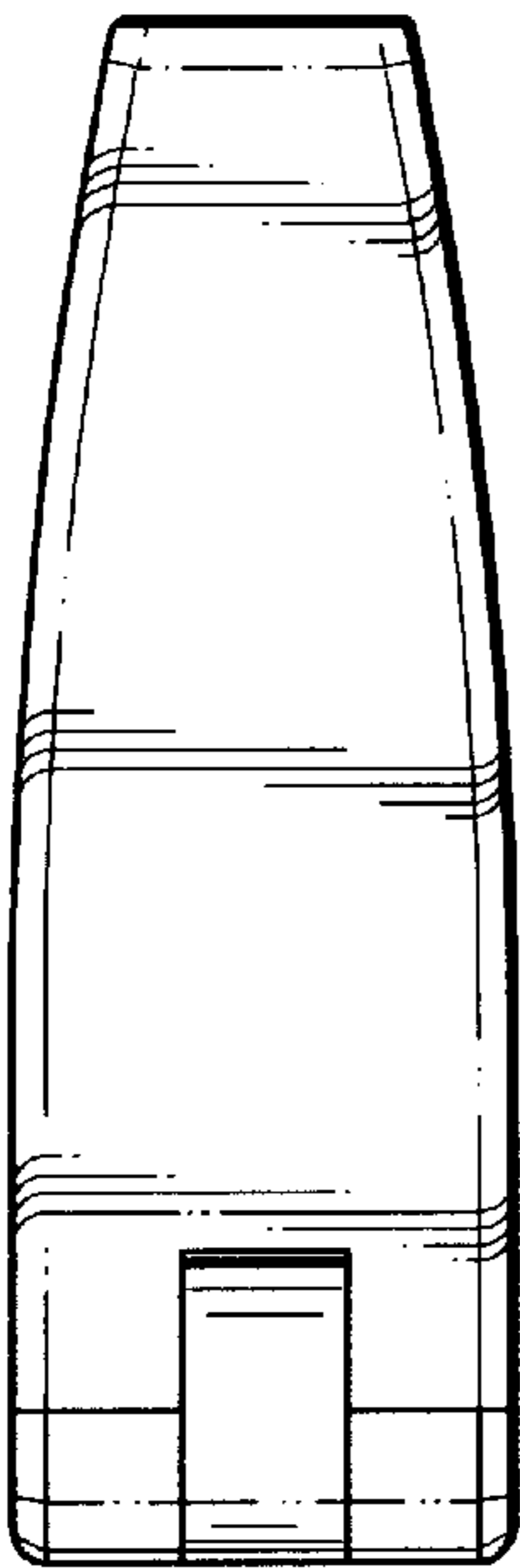


Fig. 7

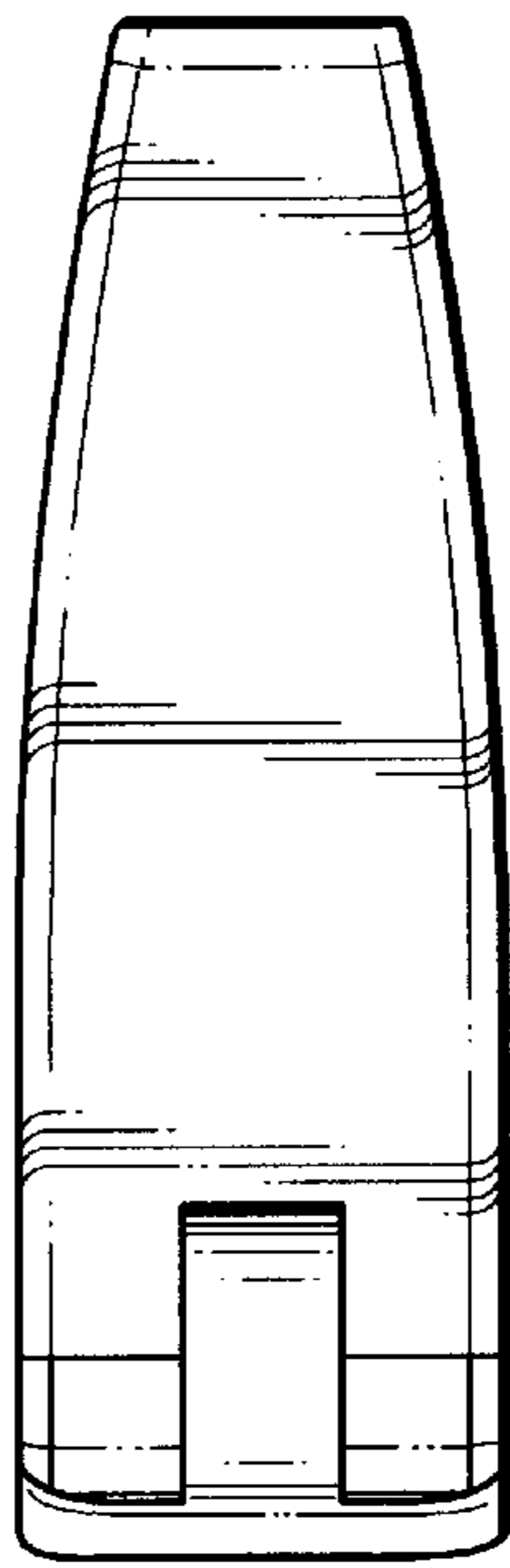


Fig. 8

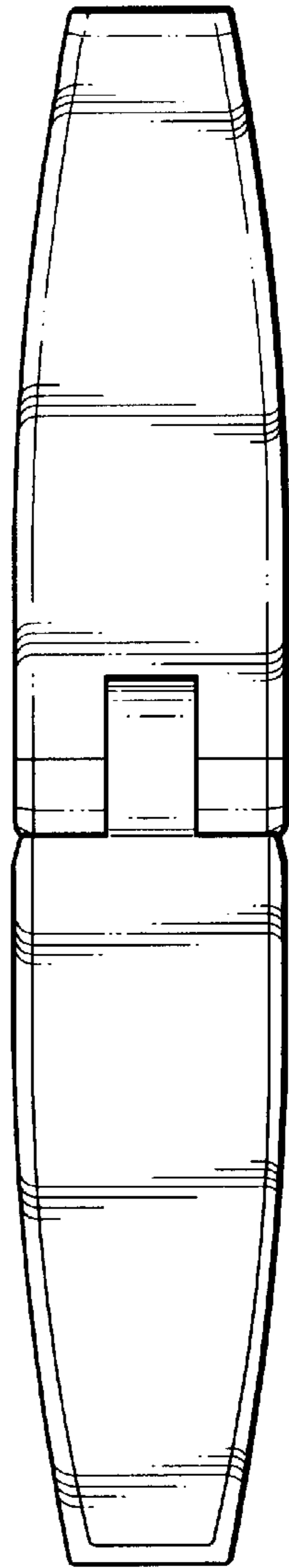


Fig. 9

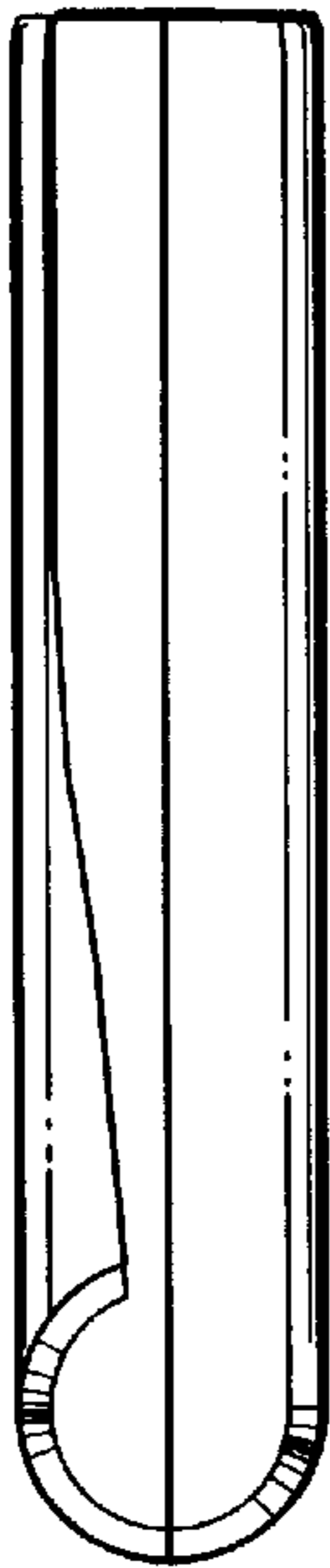


Fig. 10

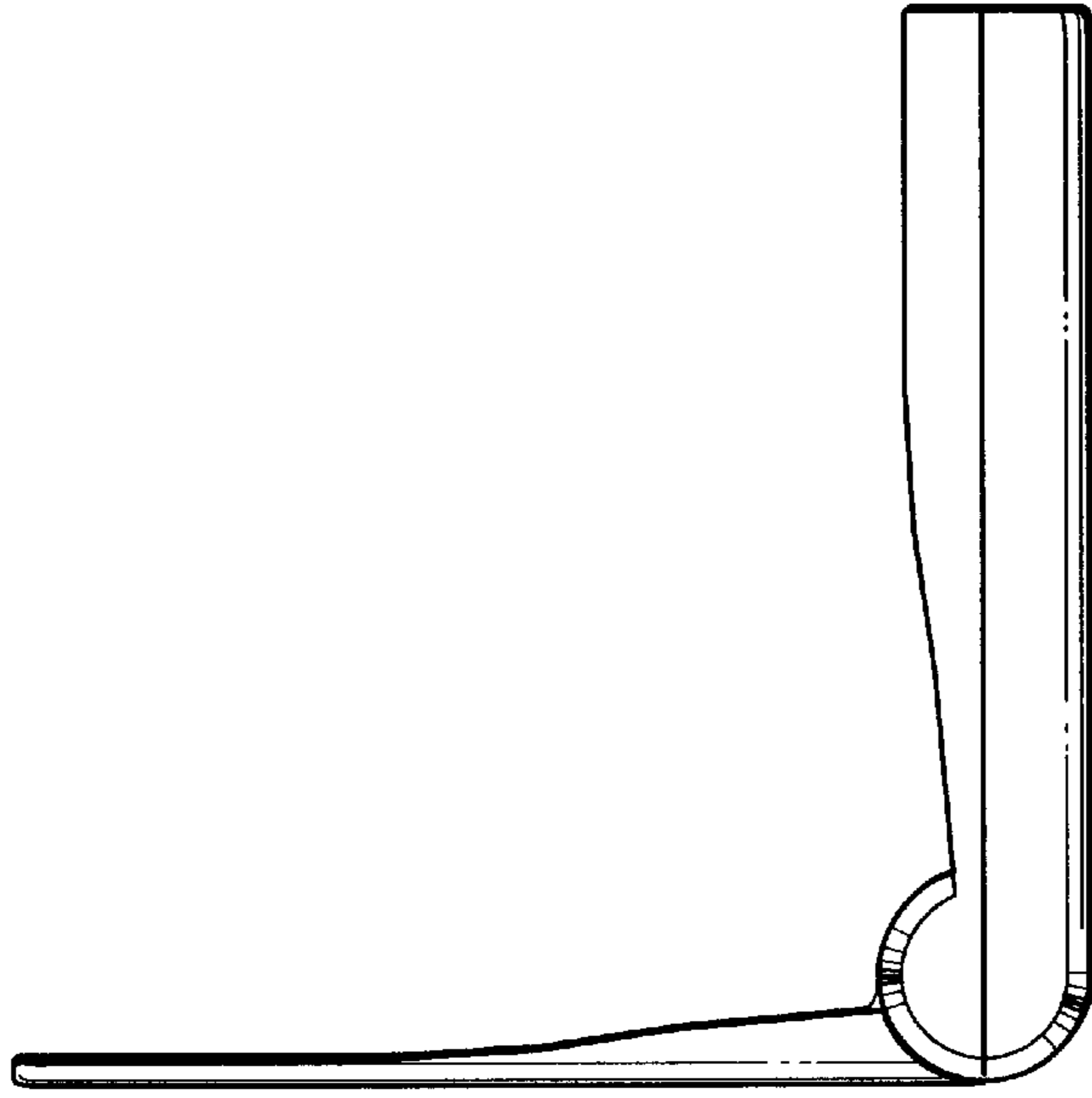


Fig. 11

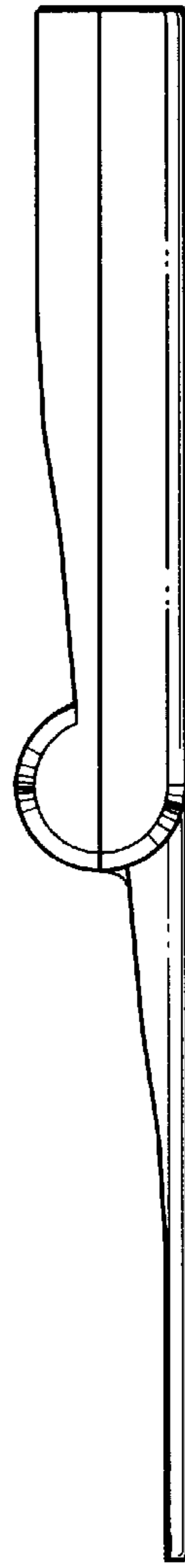


Fig. 12

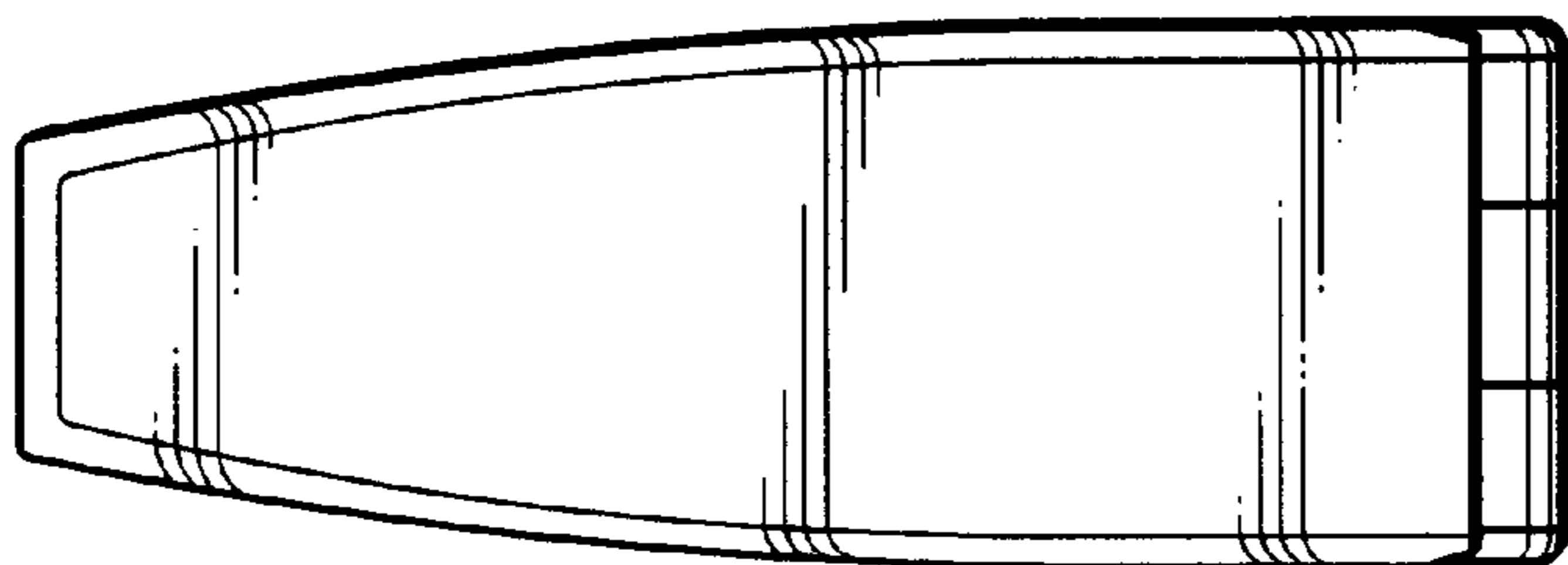


Fig. 13

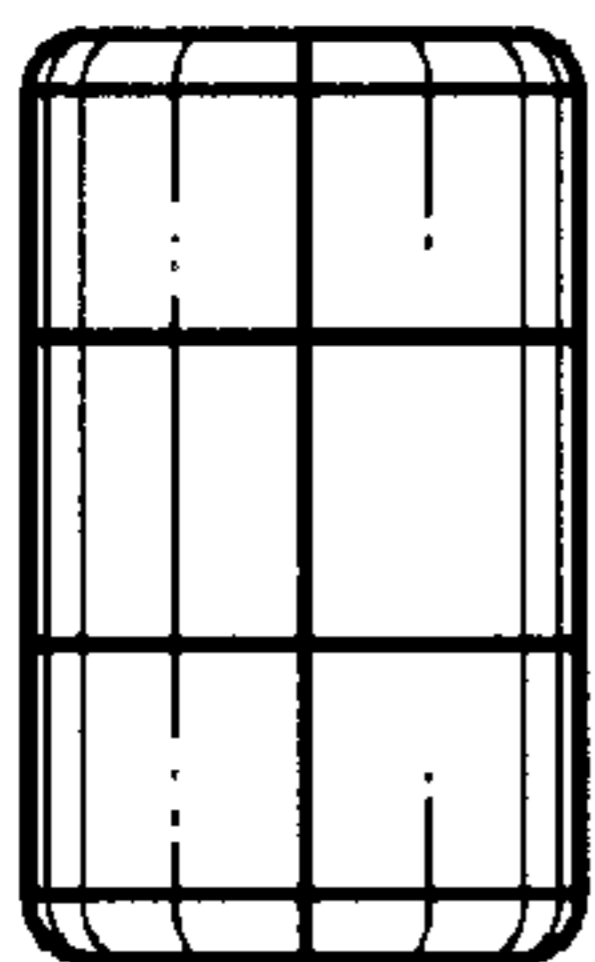


Fig. 14



Fig. 15

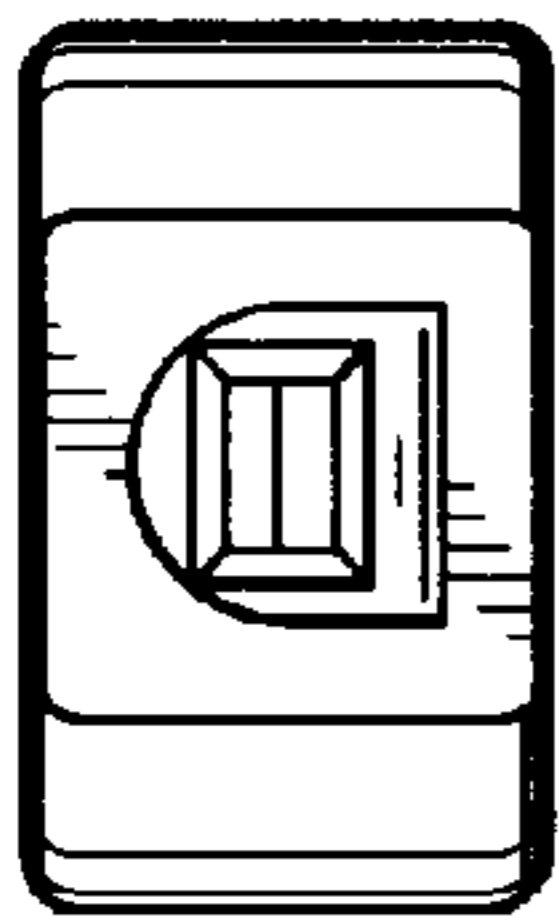


Fig. 16

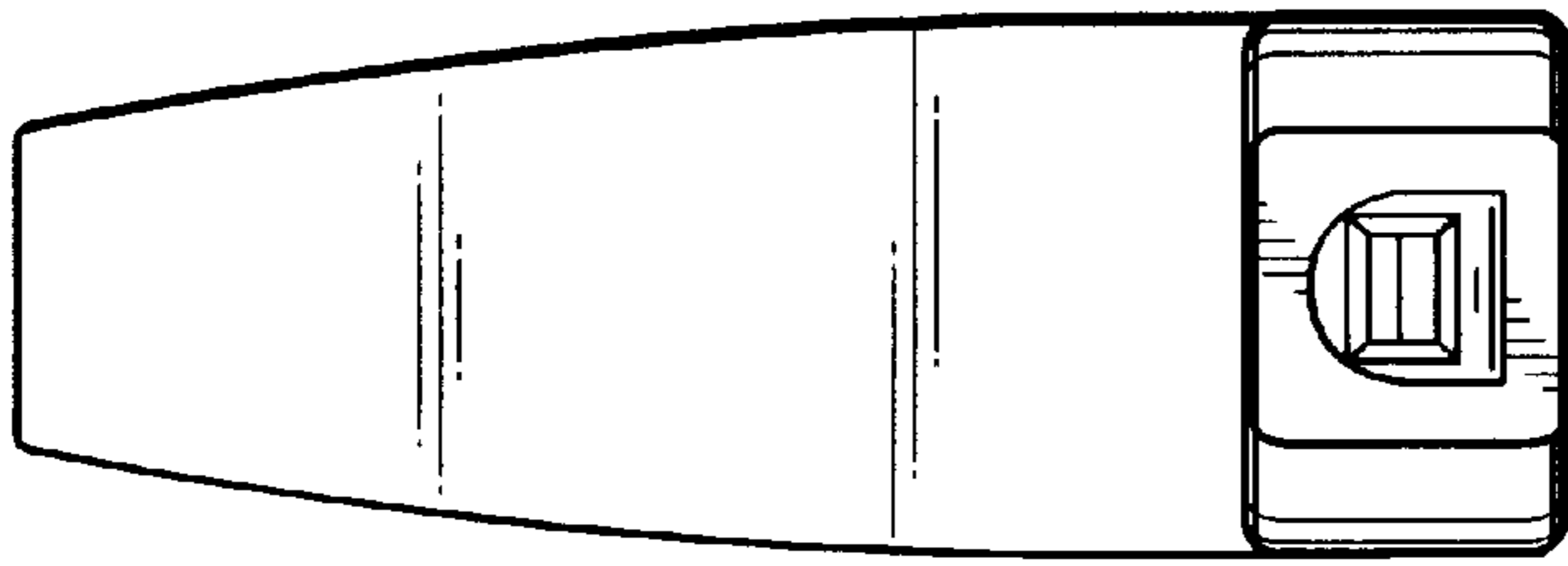


Fig. 17

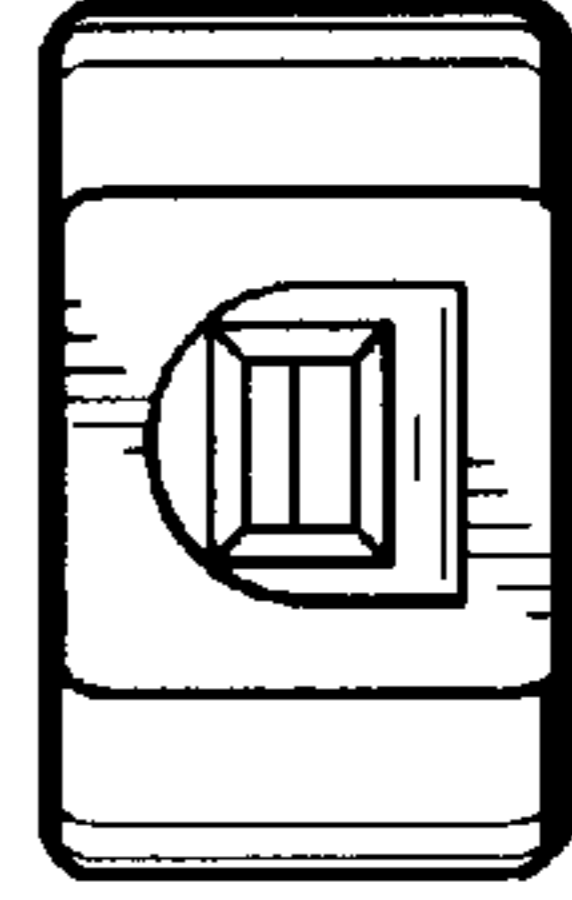


Fig. 18