



US00D454121S

(12) **United States Design Patent**  
**Lavelle et al.**

(10) **Patent No.:** **US D454,121 S**

(45) **Date of Patent:** **\*\* Mar. 5, 2002**

(54) **STOWABLE DISPLAY SYSTEM IN A ROTATABLE CONSOLE**

D442,153 S \* 5/2001 Lavelle et al. .... D14/126  
D443,255 S \* 6/2001 Lavelle et al. .... D14/126

(75) Inventors: **Patrick M. Lavelle**, Sayville; **George C. Schedevy**, Aquebogue; **James R. Tranchina**, Dix Hills, all of NY (US)

\* cited by examiner

*Primary Examiner*—Raphael Barkai

(74) *Attorney, Agent, or Firm*—F. Chau & Associates,LLP

(73) Assignee: **Audiovox Corporation**, Hauppauge, NY (US)

(57) **CLAIM**

(\*\*) Term: **14 Years**

The ornamental design for a stowable display system in a rotatable console, substantially as shown and described.

(21) Appl. No.: **29/131,772**

**DESCRIPTION**

(22) Filed: **Oct. 27, 2000**

(51) **LOC (7) Cl.** ..... **14-03**

(52) **U.S. Cl.** ..... **D14/132; D14/126**

(58) **Field of Search** ..... D14/125–136,  
D14/239, 371, 374, 315, 327; D12/418,  
345, 415; D6/432, 436, 445, 448; 296/37.1,  
37.8, 37.7, 70; 224/311, 539; 348/180,  
184, 325, 739, 825

FIG. 1 is a perspective view of the stowable display system in a rotatable console in accordance with the present invention, with a display being depicted in a stowed orientation; FIG. 2 is a top view thereof with the display in the stowed orientation;

FIG. 3 is a right-side view thereof with the display in the stowed orientation;

FIG. 4 is a right-side view thereof with the display in a deployed orientation; and

FIG. 5 is a perspective view thereof with the display in a deployed orientation; and,

FIG. 6 is a perspective view of the stowable display system in a rotatable console in accordance with the present invention, with the display system rotated with respect to the console.

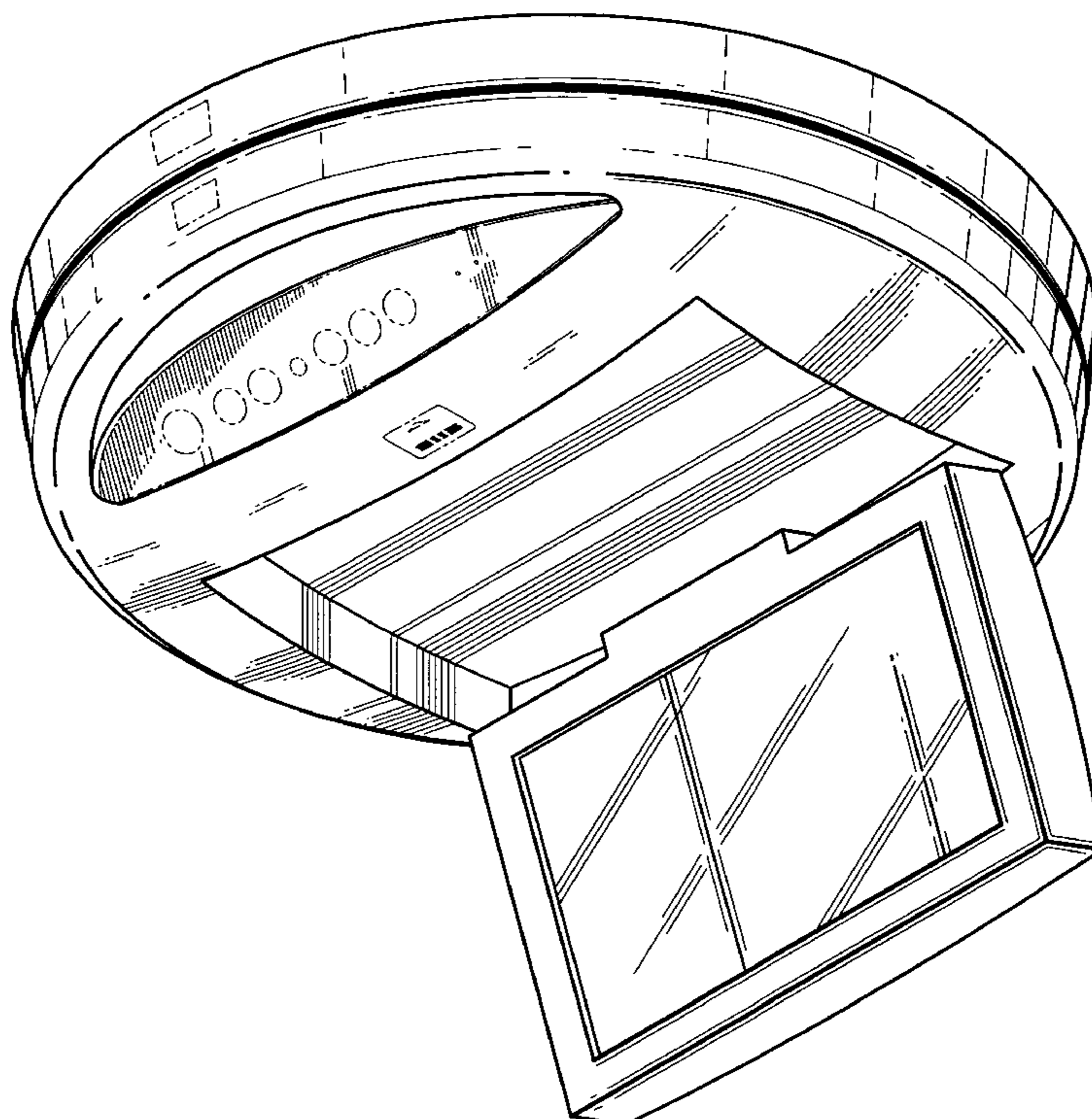
The broken lines shown in FIGS. 1–6 are for illustrative purposes as an environment and form no part of the claimed design.

(56) **References Cited**

**U.S. PATENT DOCUMENTS**

D324,044 S	*	2/1992	Katayama	.....	D14/129
D330,545 S	*	10/1992	Ashihara	.....	D14/374
D391,926 S	*	3/1998	Brunner	.....	D14/132
D412,701 S	*	8/1999	Cantu	.....	D14/315
D412,892 S	*	8/1999	Lee	.....	D14/126
D413,856 S	*	9/1999	Scribner	.....	D12/132
D416,015 S	*	11/1999	Mitchell	.....	D14/327
D434,762 S	*	12/2000	Ikenaga	.....	D14/371

**1 Claim, 5 Drawing Sheets**



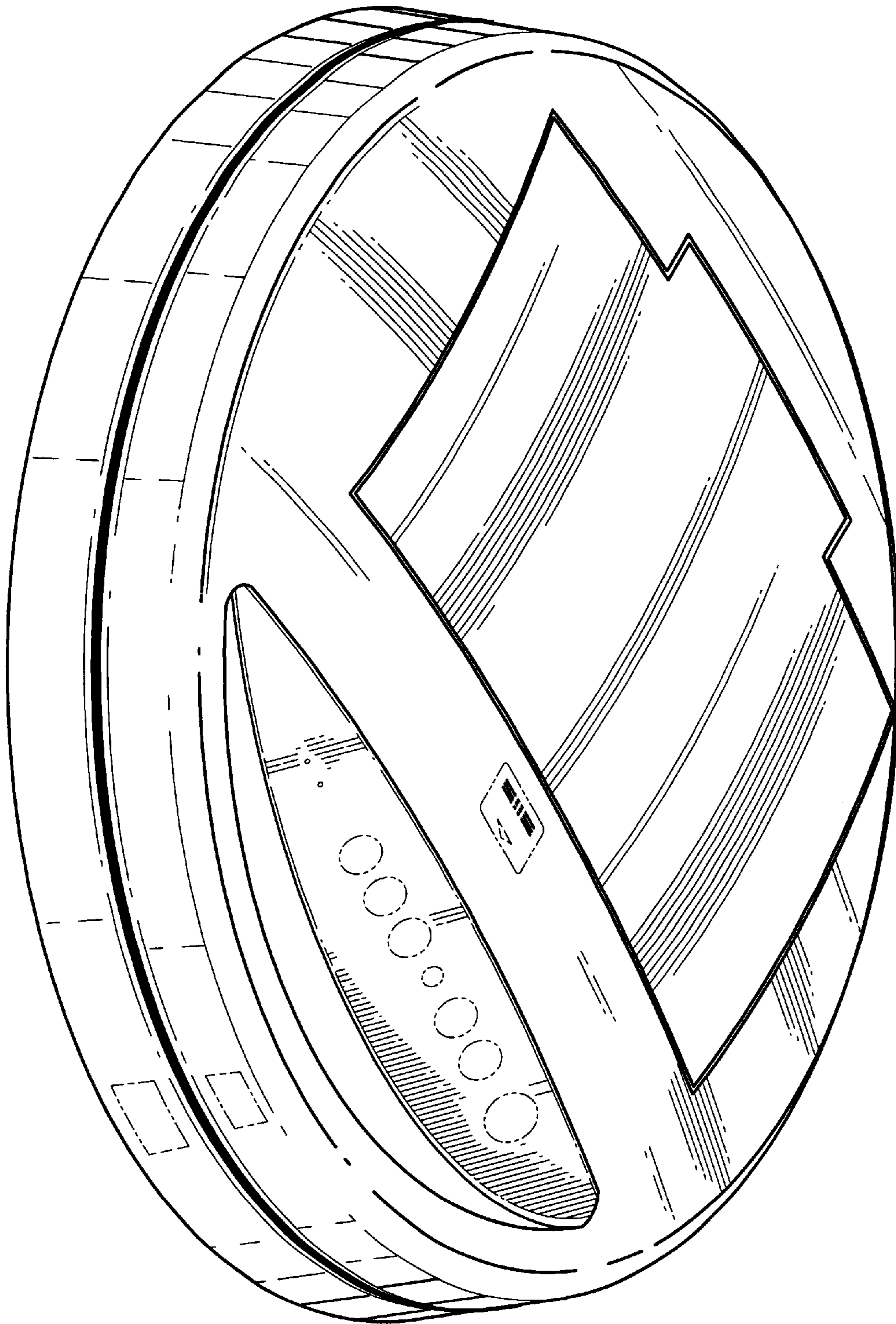
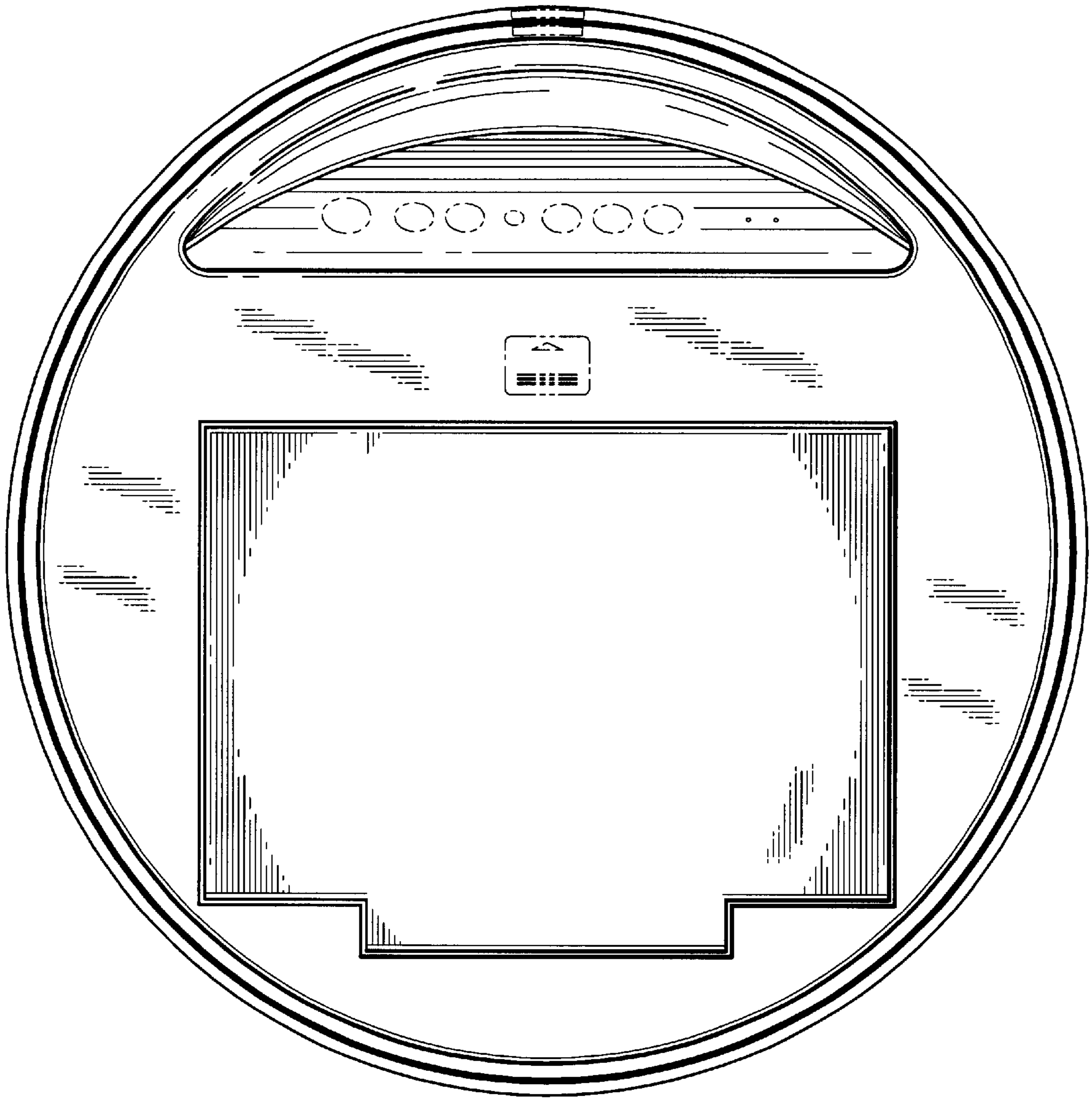
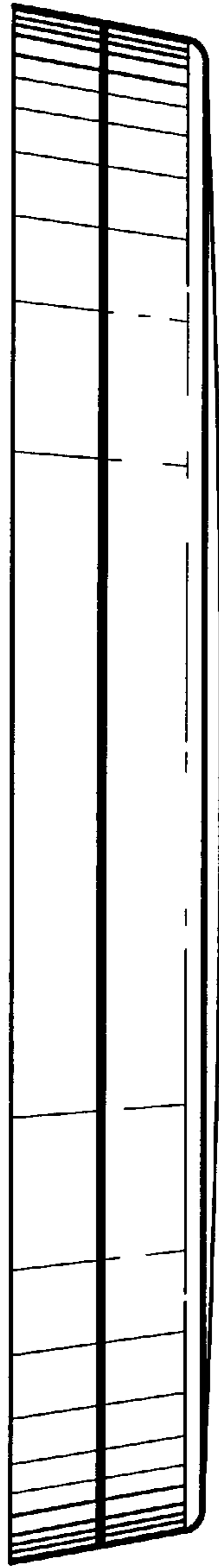


FIG. 1

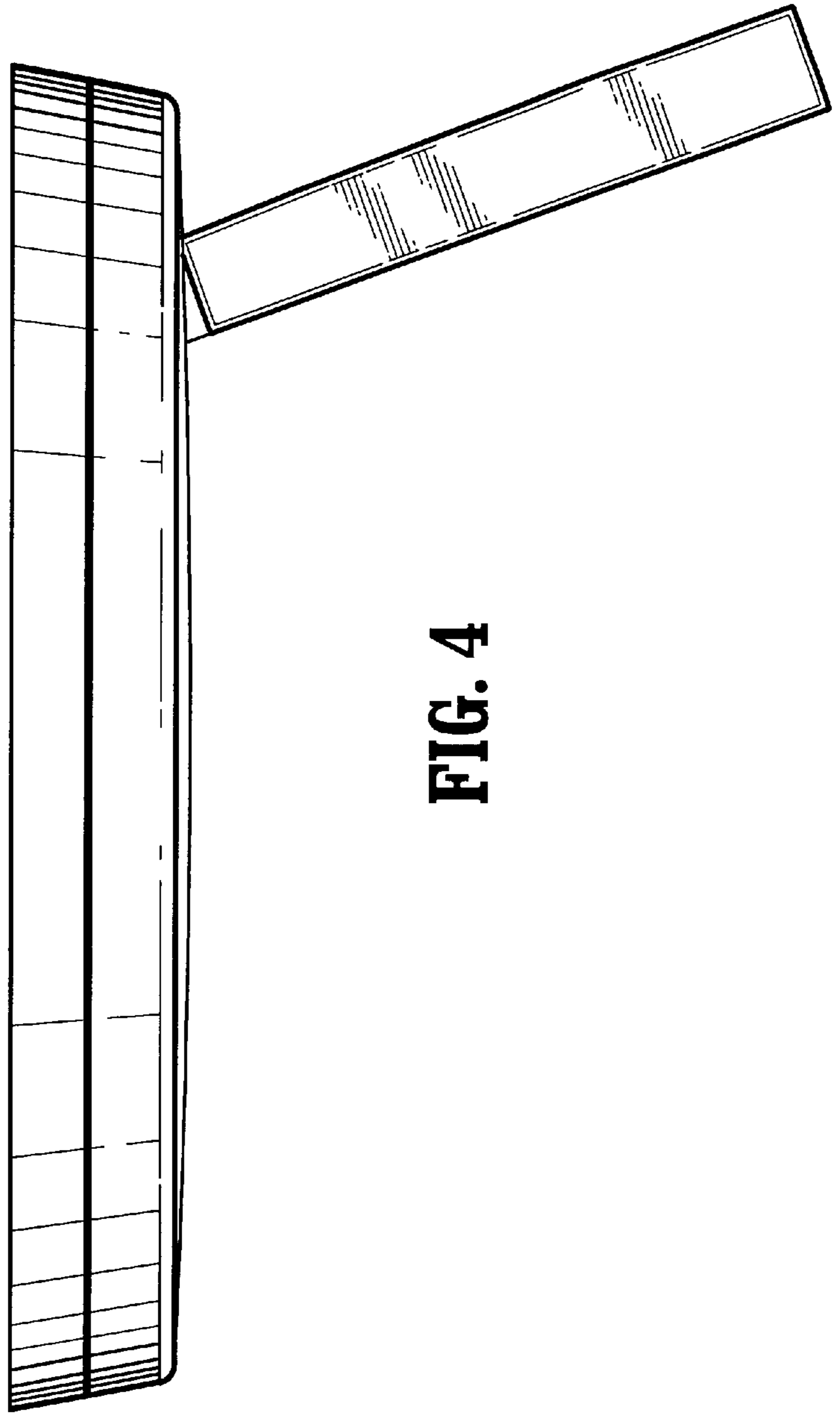


**FIG. 2**

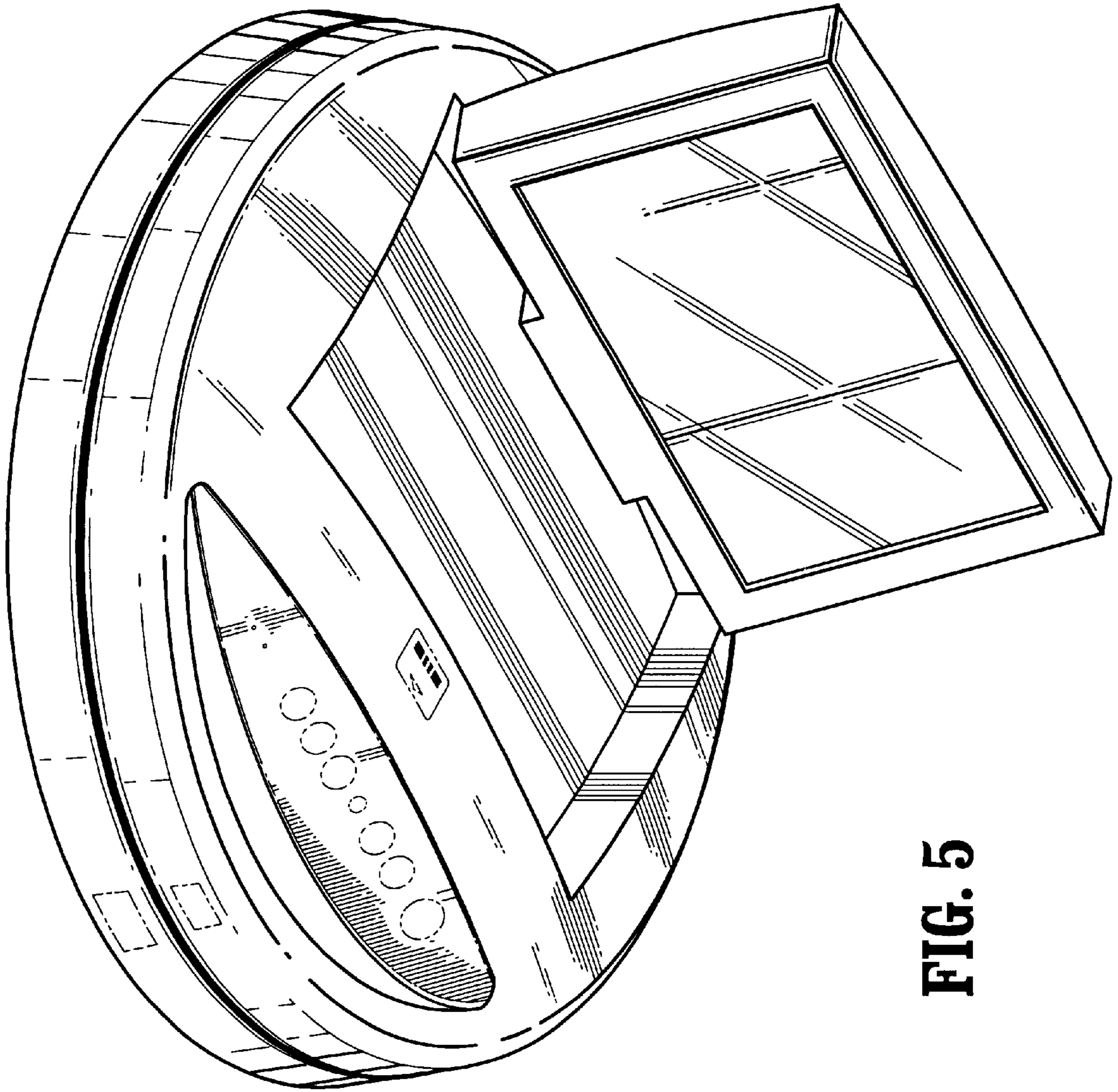




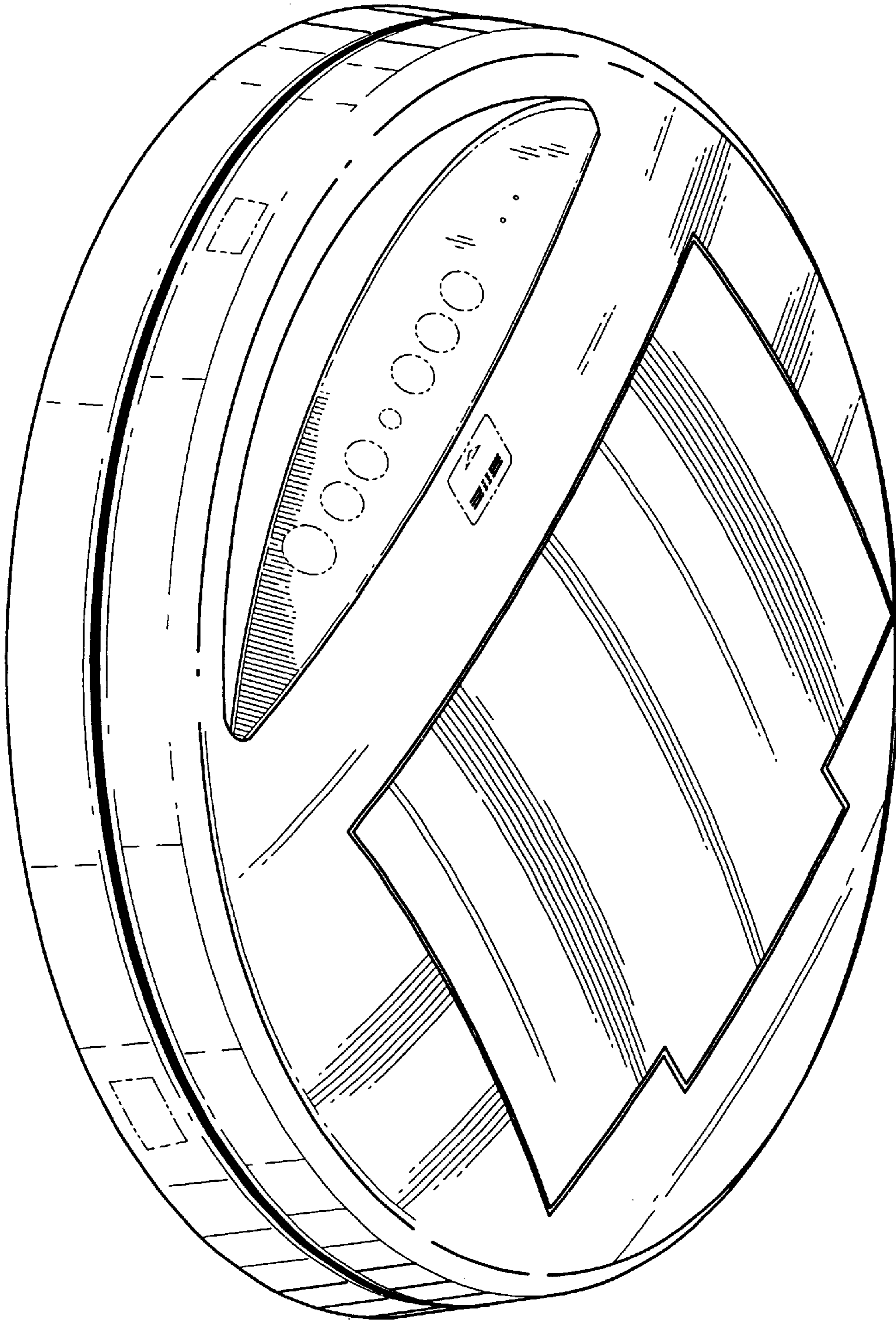
**FIG. 3**



**FIG. 4**



**FIG. 5**



**FIG. 6**