



US00D454120S

(12) **United States Design Patent**  
**Sadowski et al.**

(10) **Patent No.:** **US D454,120 S**  
(45) **Date of Patent:** **\*\* Mar. 5, 2002**

(54) **ELECTRICAL SWITCH ACTUATOR**

(75) Inventors: **Walter A. Sadowski**, Newington;  
**Joseph L. LeClair**, Waterbury, both of  
CT (US)

(73) Assignee: **Carling Technologies, Inc.**, Plainville,  
CT (US)

(\*\*) Term: **14 Years**

(21) Appl. No.: **29/132,584**

(22) Filed: **Nov. 10, 2000**

(51) **LOC (7) Cl.** ..... **13-03**

(52) **U.S. Cl.** ..... **D13/174**

(58) **Field of Search** ..... D13/158, 159,  
D13/169, 173, 174; 200/61.27, 329, 332,  
335, 339, 556, 561

(56) **References Cited**

**U.S. PATENT DOCUMENTS**

4,553,009 A \* 11/1985 Van Zeeland et al. .... 200/517

D311,218 S \* 10/1990 Althans ..... D14/413  
D349,101 S \* 7/1994 Schaeffer ..... D13/174  
D387,331 S \* 12/1997 Wong ..... D13/158  
D427,158 S \* 6/2000 Sadowski et al. .... D13/174

\* cited by examiner

*Primary Examiner*—Ted Shooman

*Assistant Examiner*—Selina Sikder

(74) *Attorney, Agent, or Firm*—McCormick, Paulding &  
Huber LLP

(57) **CLAIM**

The ornamental design for an electrical switch actuator, as  
shown.

**DESCRIPTION**

FIG. 1 is a perspective view of an electrical switch actuator  
showing our new design;

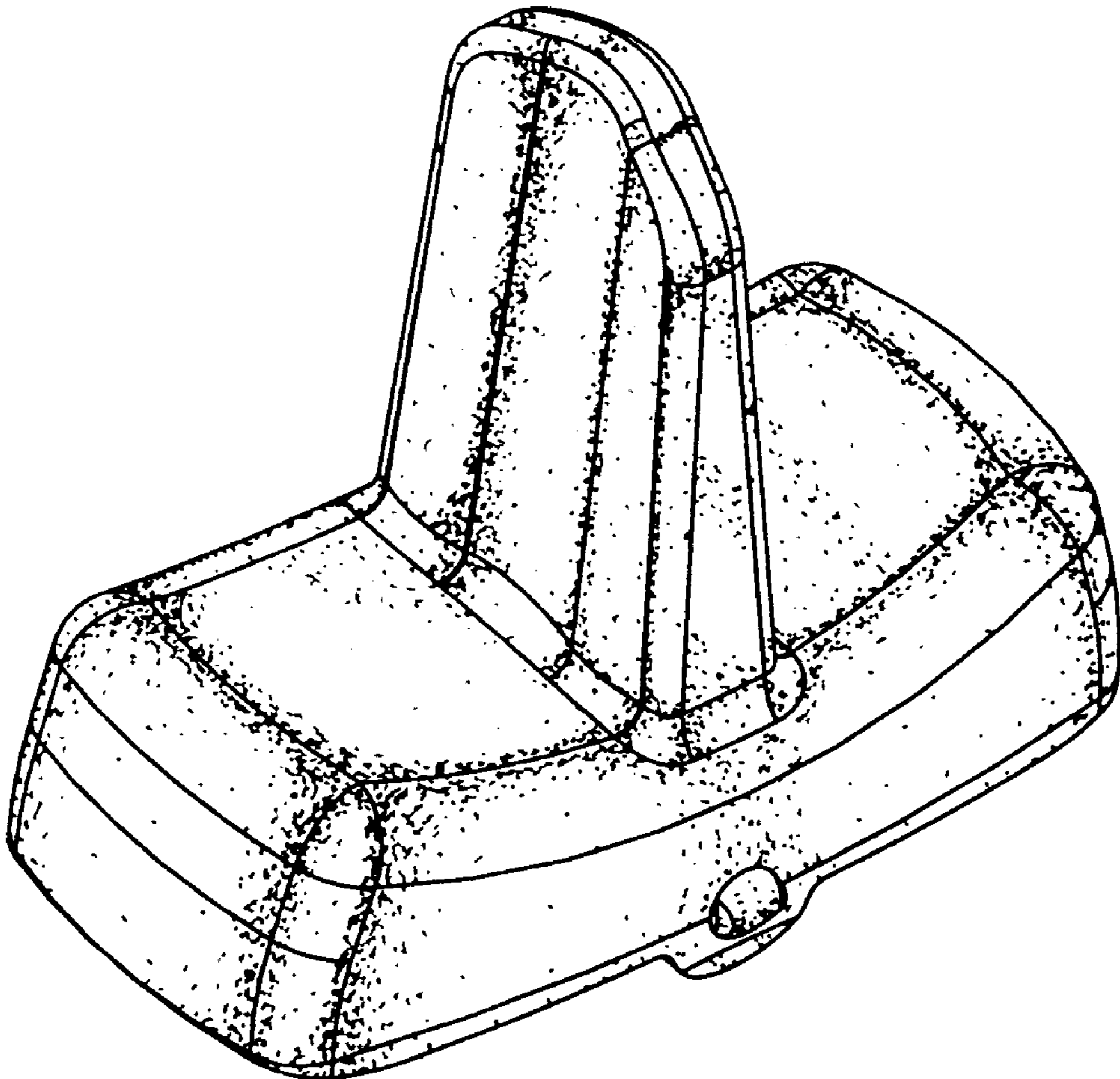
FIG. 2 is a side elevational view thereof;

FIG. 3 is a top plan view thereof;

FIG. 4 is a left side elevational view thereof; and,

FIG. 5 is a right side elevational view thereof.

**1 Claim, 2 Drawing Sheets**



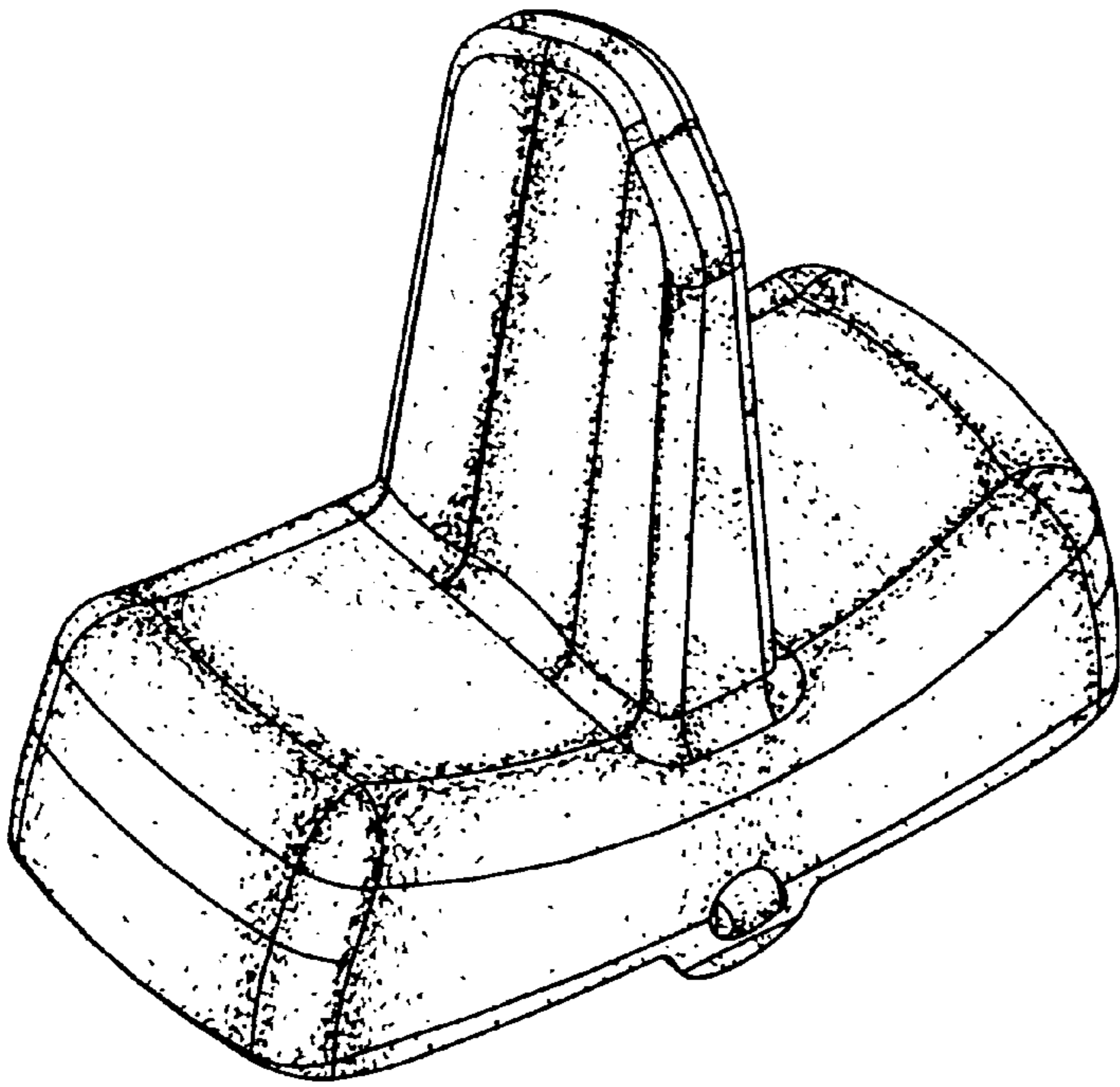


FIG. 1

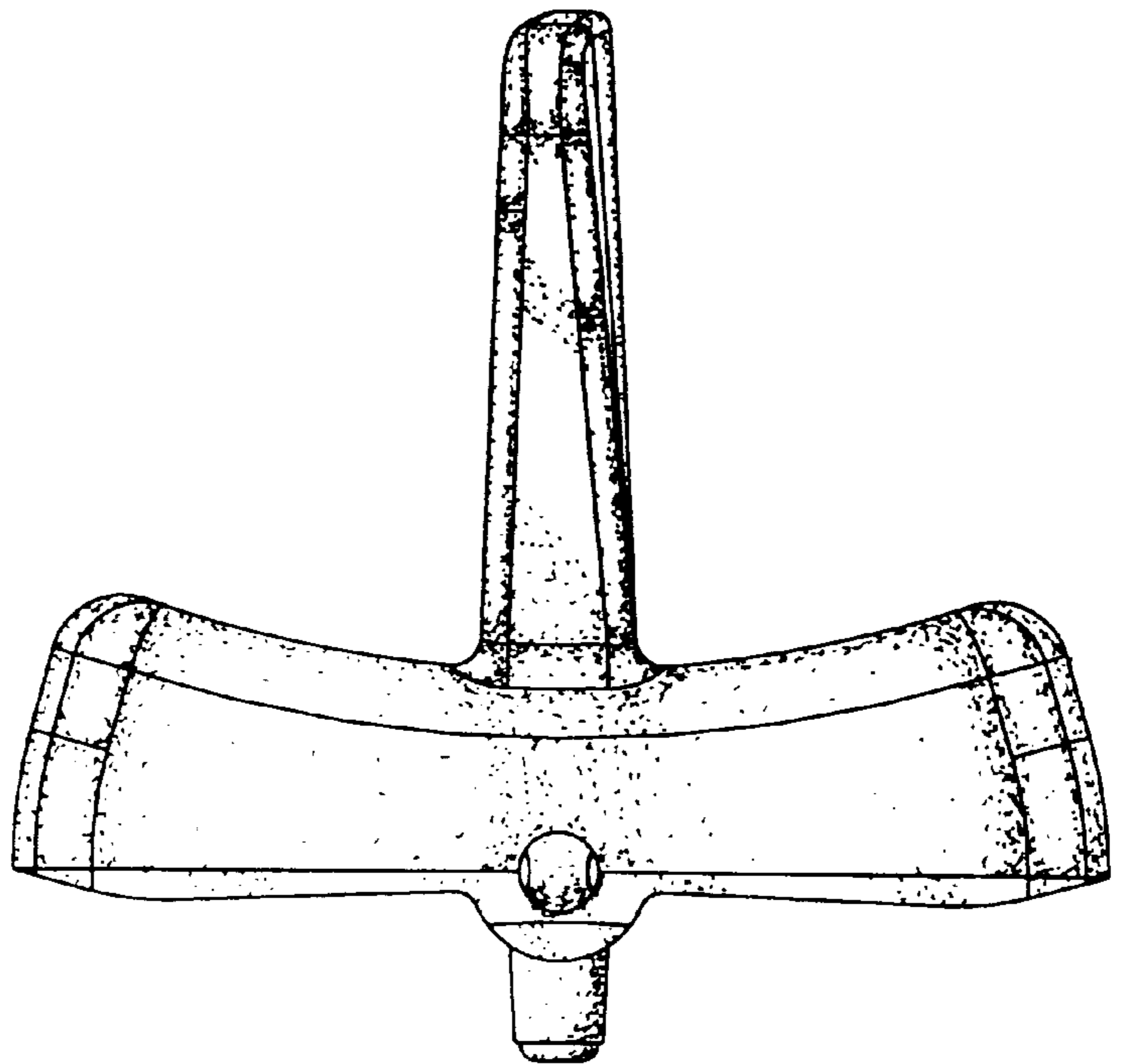


FIG. 2

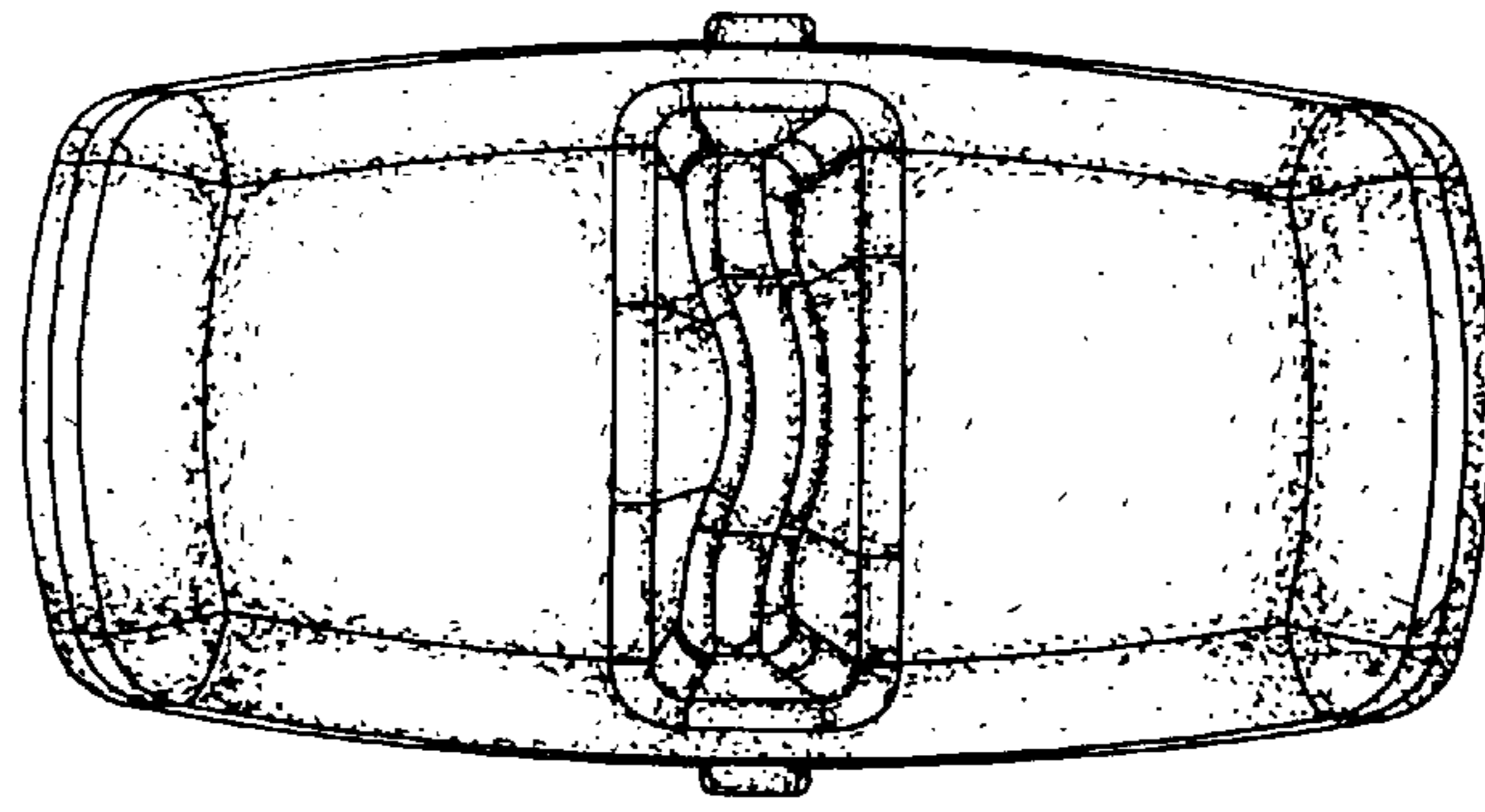


FIG. 3

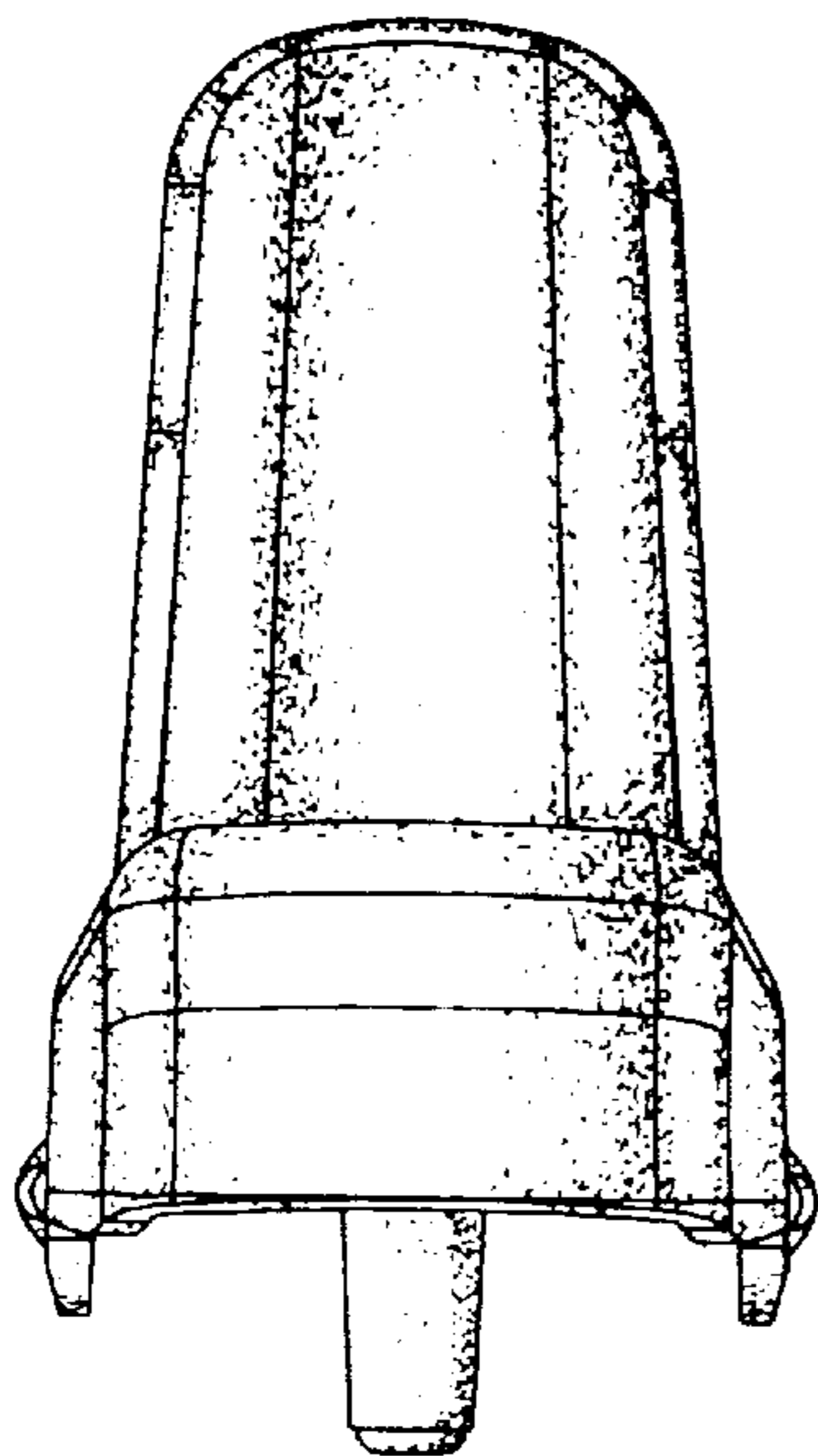


FIG. 4

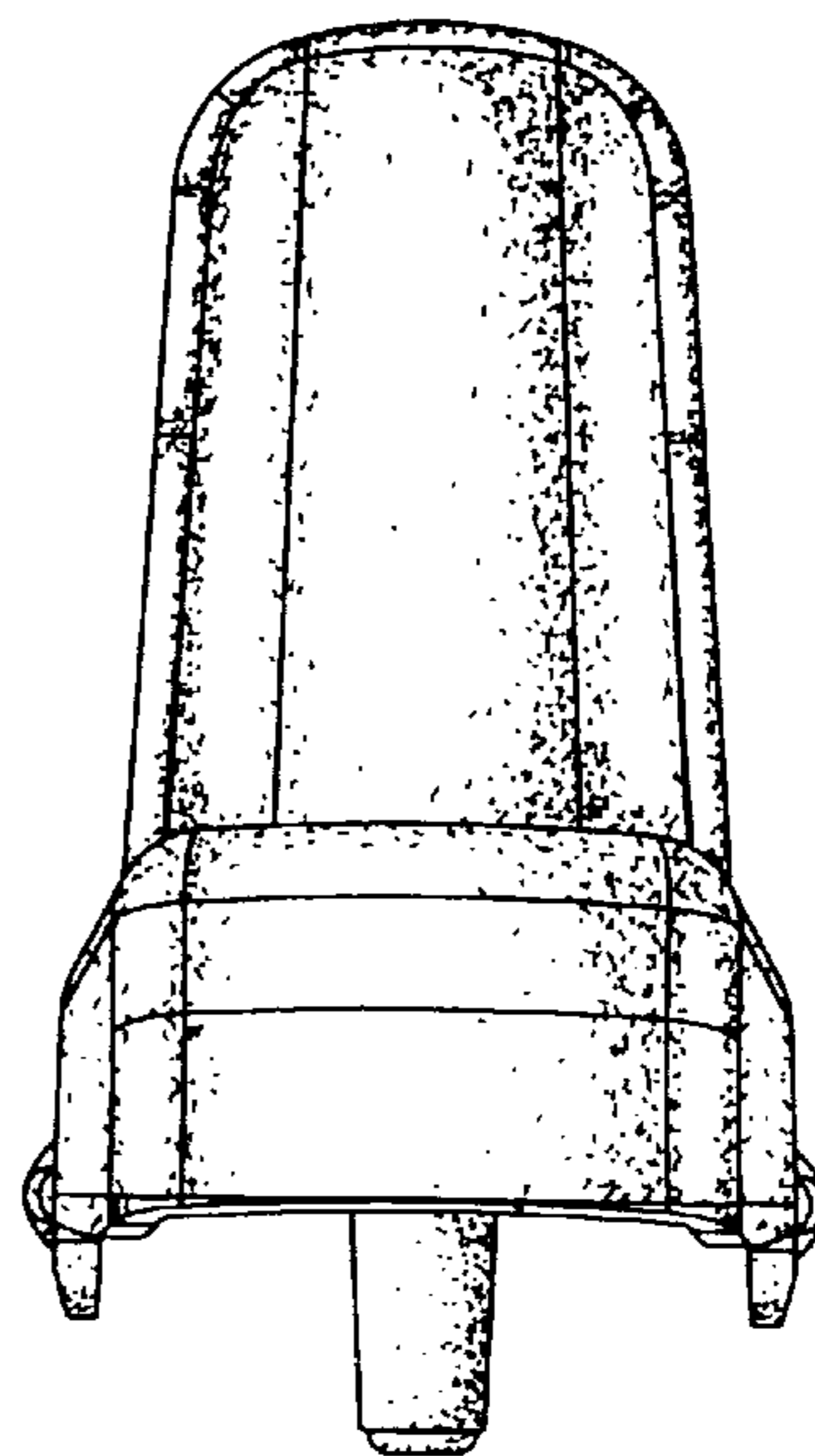


FIG. 5