



US00D454119S

(12) **United States Design Patent**
Winkler

(10) **Patent No.:** **US D454,119 S**

(45) **Date of Patent:** **** Mar. 5, 2002**

(54) **FACEPLATE WITH ROCKER SWITCH**

(75) **Inventor:** **Gerald W. Winkler**, Herzogenaurach (DE)

(73) **Assignee:** **Ellenberger & Poensgen GmbH**, Altdorf (DE)

(**) **Term:** **14 Years**

(21) **Appl. No.:** **29/143,955**

(22) **Filed:** **Jun. 25, 2001**

Related U.S. Application Data

(62) Division of application No. 29/123,538, filed on May 22, 2000.

(30) **Foreign Application Priority Data**

Nov. 20, 1999 (DE) 499 10 768

(51) **LOC (7) Cl.** **13-03**

(52) **U.S. Cl.** **D13/158**

(58) **Field of Search** D13/158, 160, D13/169, 171, 173, 174; 200/237, 271, 294, 553, 537; D8/353

(56) **References Cited**

U.S. PATENT DOCUMENTS

3,706,869 A * 12/1972 Sorenson 200/294 X

D256,011 S * 7/1980 Matsuda D13/171
D323,613 S * 2/1992 Cummins et al. D8/353
D331,743 S * 12/1992 Fujiyoshi D13/169
D408,792 S * 4/1999 Hwang D13/171
D416,871 S * 11/1999 Todd D13/169

* cited by examiner

Primary Examiner—Brian N. Vinson

(74) *Attorney, Agent, or Firm*—Venable; Gabor J. Kelemen

(57) **CLAIM**

The ornamental design for a faceplate with rocker switch, as shown and described.

DESCRIPTION

FIG. 1 is a perspective view of a first embodiment of my new design.

FIG. 2 is a front elevational view thereof.

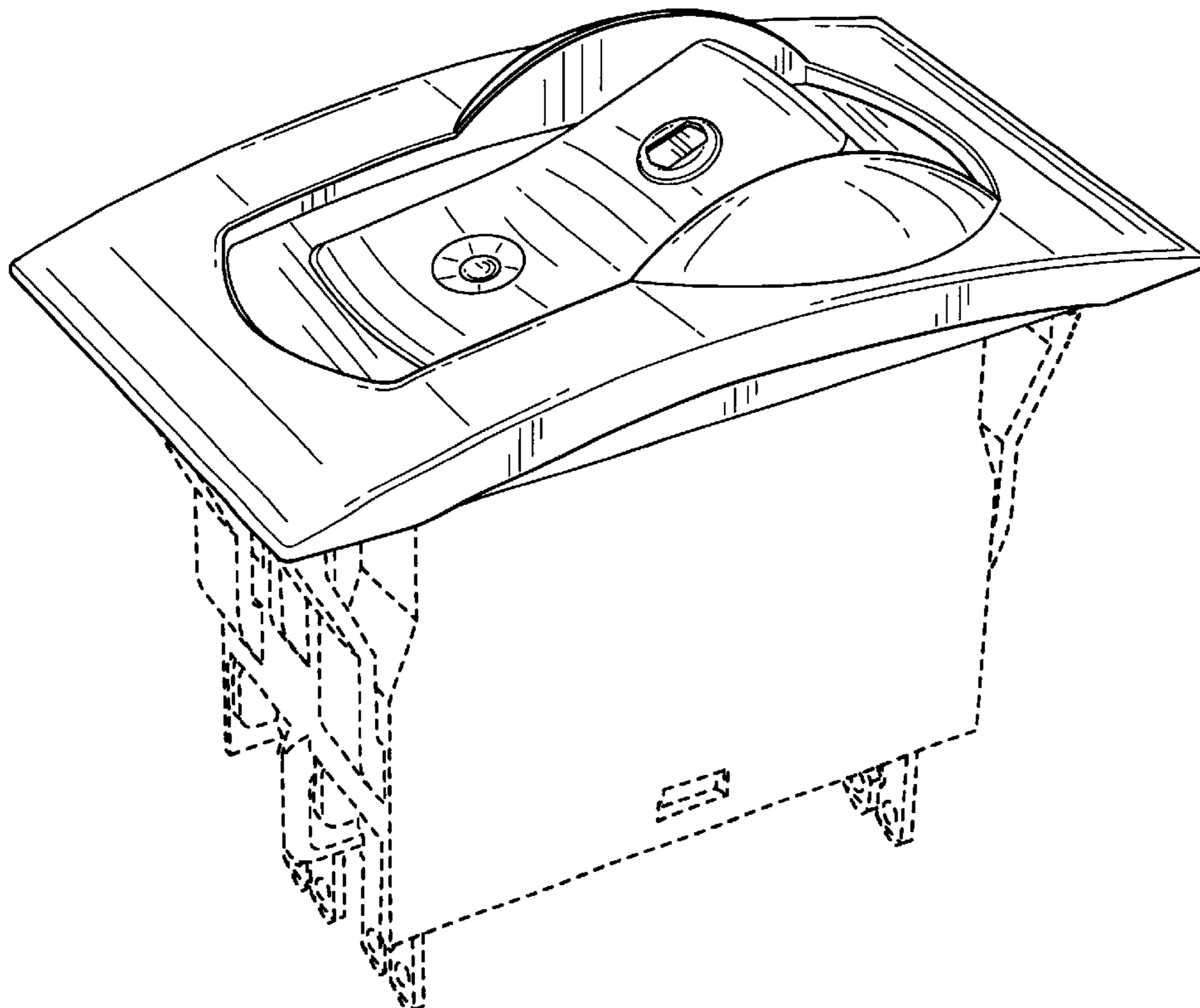
FIG. 3 is a rear elevational view thereof.

FIG. 4 is a side elevational view thereof, which is identical when viewed from either side; and,

FIG. 5 is a top plan view thereof.

The broken-line disclosure of the bottom portion of the switch in FIG. 1 is for illustrative purposes only and forms no part of the claimed design, and the bottom of the faceplate is unornamented.

1 Claim, 2 Drawing Sheets



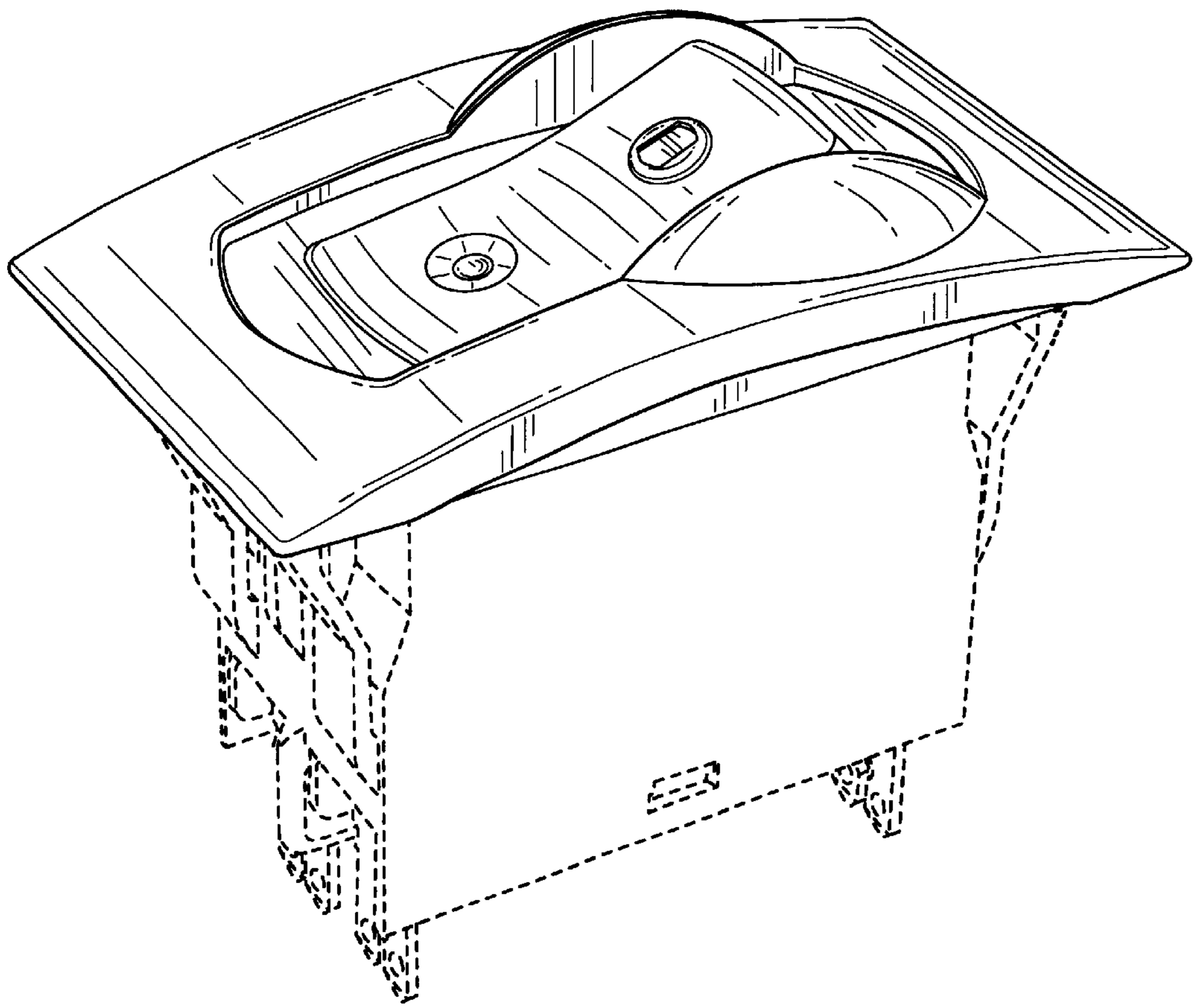


FIG. 1

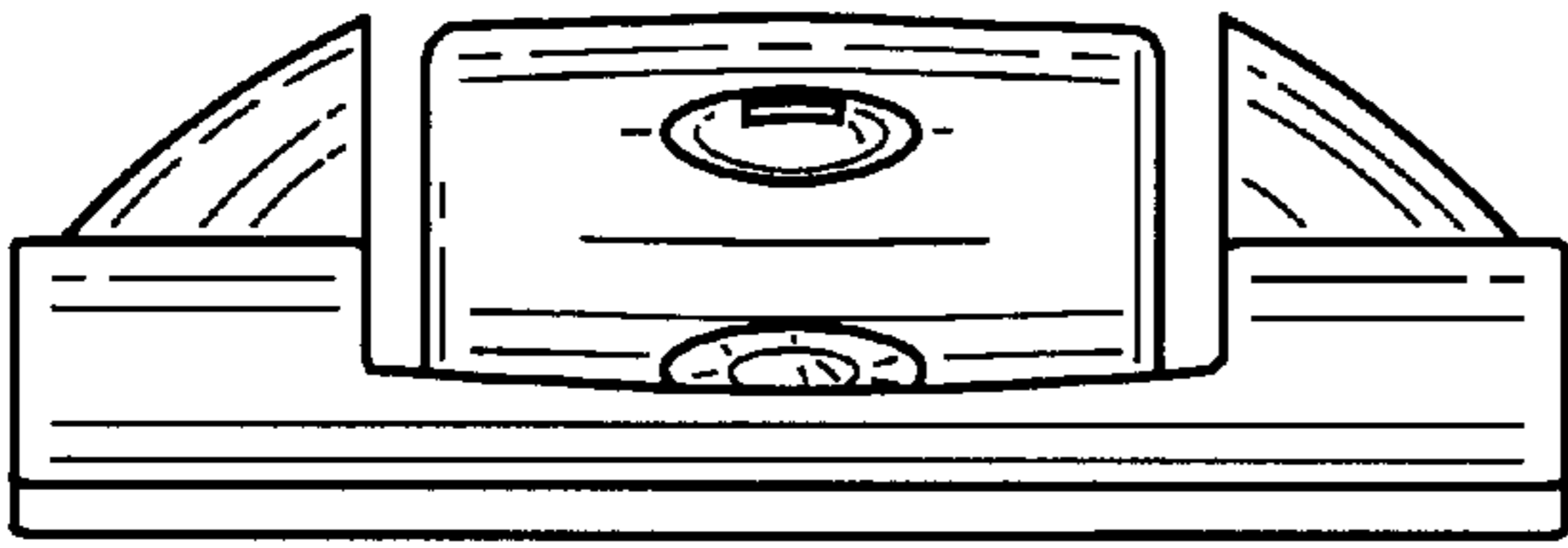


FIG. 2



FIG. 3

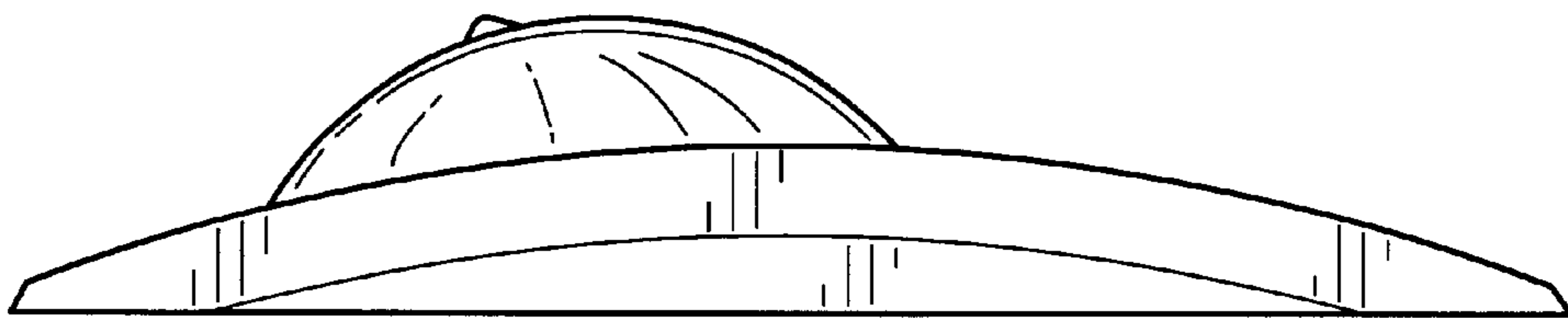


FIG. 4

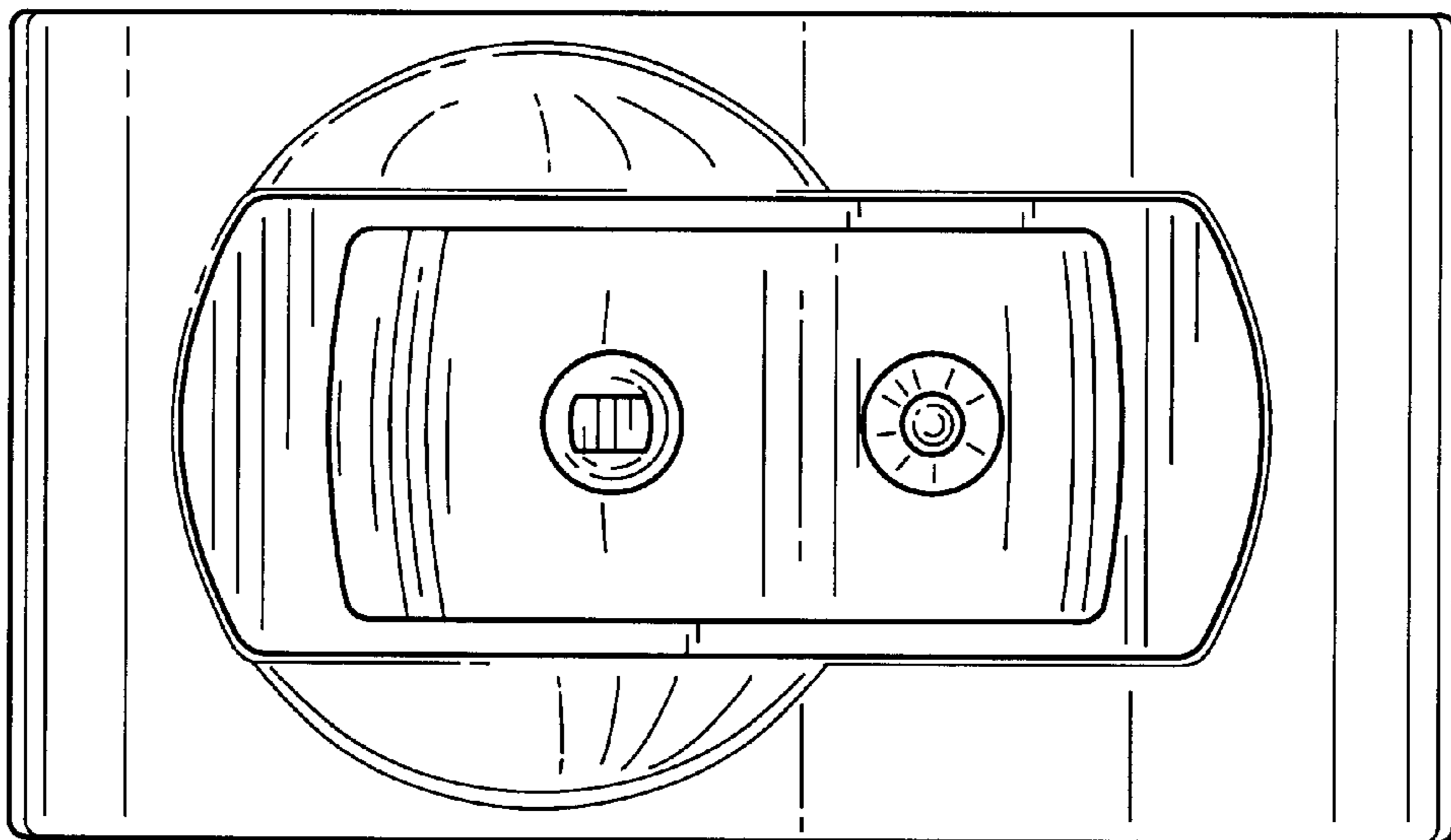


FIG. 5