



US00D454116S

(12) **United States Design Patent**
Barlow et al.

(10) **Patent No.:** **US D454,116 S**

(45) **Date of Patent:** **** *Mar. 5, 2002**

(54) **CABLE**

(76) **Inventors:** **Roger Barlow**, Shoulder of Mutton,
Sawbridge Road; **Timothy John**
Bramley, 1 Southview, Sawbridge
Road, both of Grandborough, Rugby,
Warwickshire, CV23 8DN (GB)

(*) **Notice:** This patent is subject to a terminal dis-
claimer.

(**) **Term:** **14 Years**

(21) **Appl. No.:** **29/117,982**

(22) **Filed:** **Feb. 2, 2000**

(51) **LOC (7) Cl.** **13-03**

(52) **U.S. Cl.** **D13/153**

(58) **Field of Search** D13/153; 174/68.1,
174/48, 117 FF, 117 R, 68.3, 97, 148, 107,
110 R, 135, 70 C, 264; 439/925, 580; 404/15;
D10/113; D25/119; 52/716.1, 718.01; 385/136

(56) **References Cited**

U.S. PATENT DOCUMENTS

2,079,274	A	*	5/1937	Baker	174/117	R
2,595,452	A	*	5/1952	Geist et al.	174/68.3	
3,240,456	A		3/1966	Hartman			
4,154,977	A		5/1979	Verma			
4,801,764	A	*	1/1989	Ohlhaber	174/70	C
4,813,811	A	*	3/1989	Adams	404/15	
5,289,559	A	*	2/1994	Wilson	385/136	
5,367,122	A		11/1994	de Olano			

FOREIGN PATENT DOCUMENTS

EP	0094301	11/1983
FR	1161556	9/1958

GB	215873	5/1924
GB	945813	1/1964
GB	963629	7/1964
GB	992818	5/1965
GB	1417209	12/1975
GB	2009523	6/1979
GB	2040544	8/1980
GB	2104715	3/1983
GB	2147152	5/1985
GB	2169152	7/1986
GB	2233731	1/1991
GB	2254738	10/1992
WO	WO 83/01868 A1	5/1983
WO	WO 86/01349 A1	2/1986

* cited by examiner

Primary Examiner—Jennifer Rivard

(74) *Attorney, Agent, or Firm*—Rider, Bennett, Egan & Arundel

(57) **CLAIM**

We claim the ornamental design for a cable, as shown and described.

DESCRIPTION

FIG. 1 is a perspective view of a cable showing my new design;

FIG. 2 is a left side elevational view, which is a mirror image of the right side elevational view;

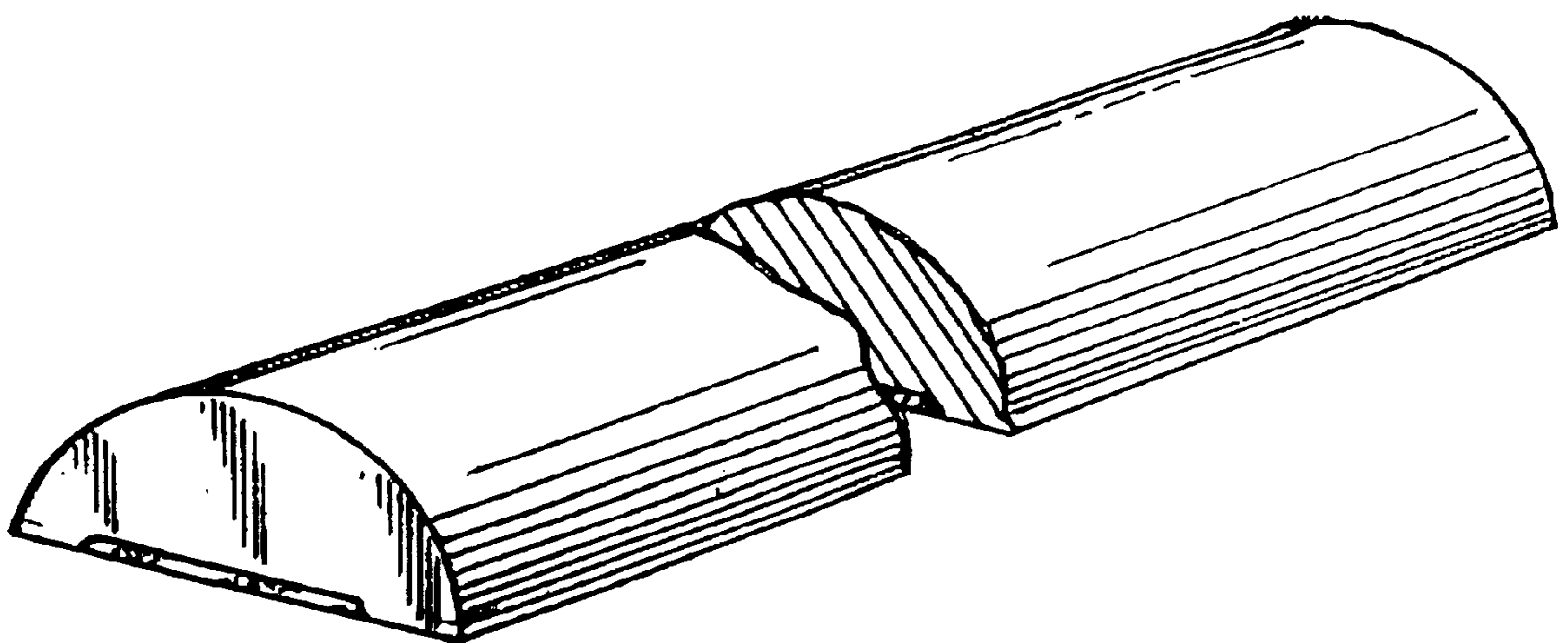
FIG. 3 is a front elevational view, which is a mirror image of the rear elevational view;

FIG. 4 is a top plan view; and,

FIG. 5 is a bottom plan view.

The claimed design is shown broken away to indicate indeterminate length.

1 Claim, 1 Drawing Sheet



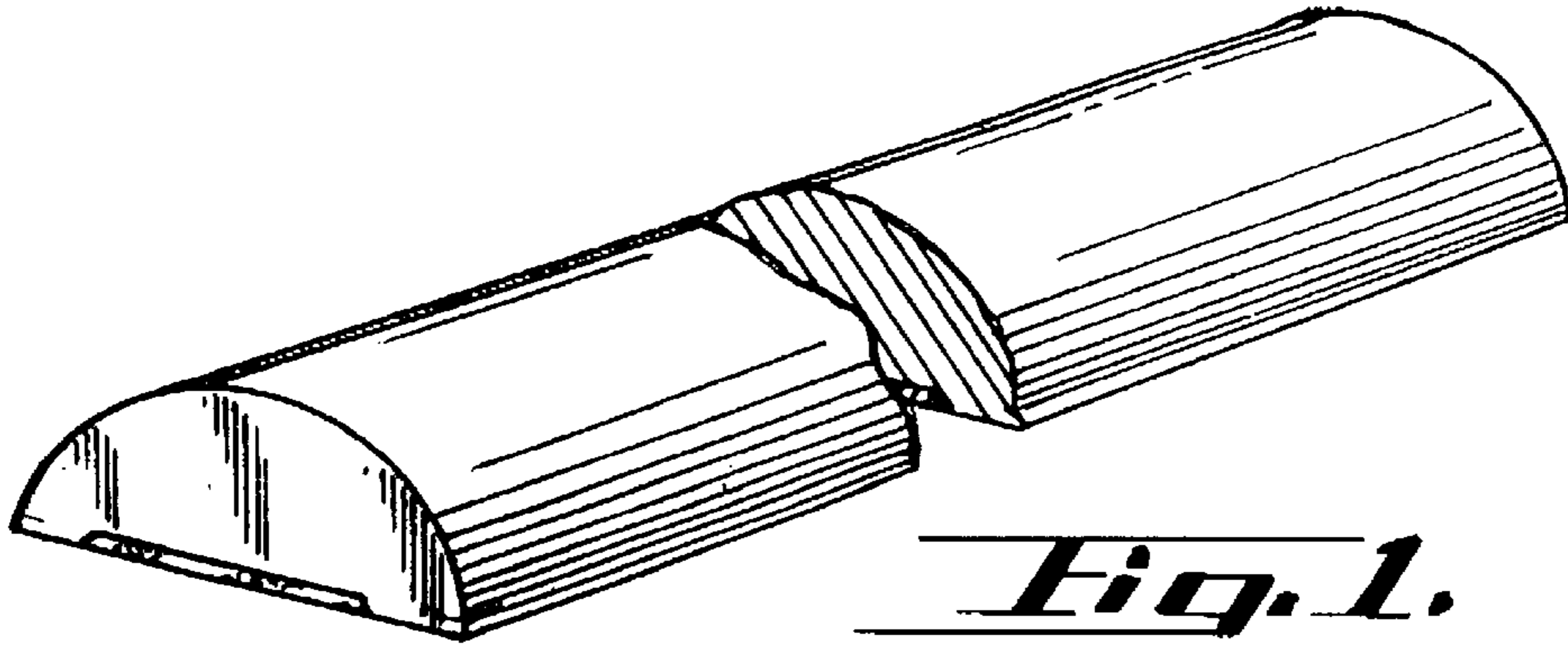


Fig. 1.



Fig. 2.



Fig. 3.

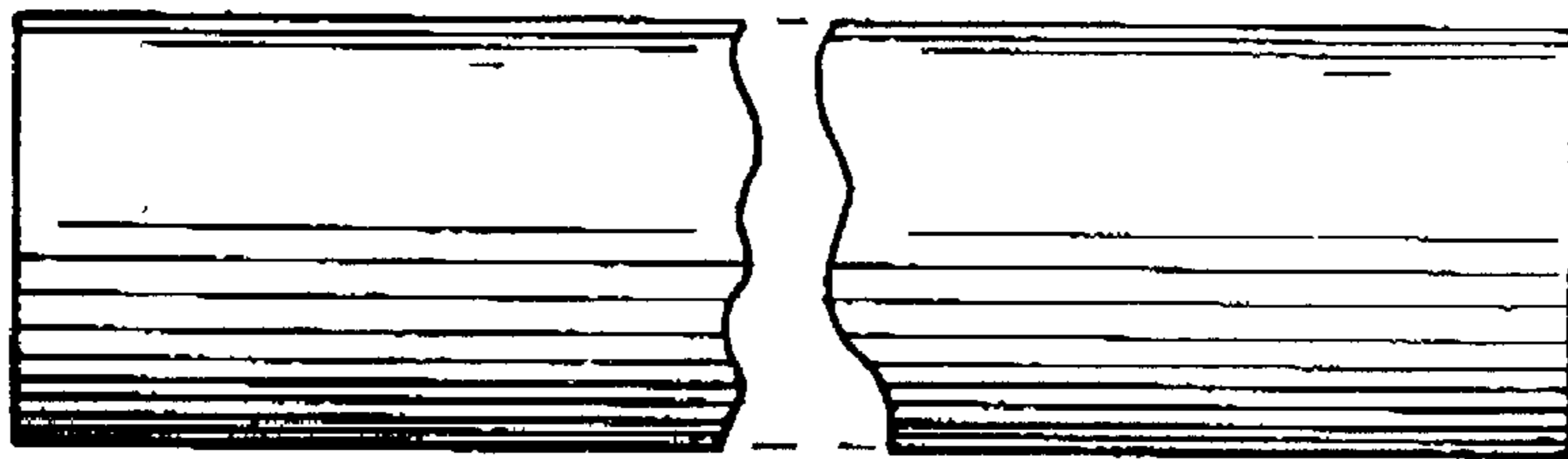


Fig. 4.

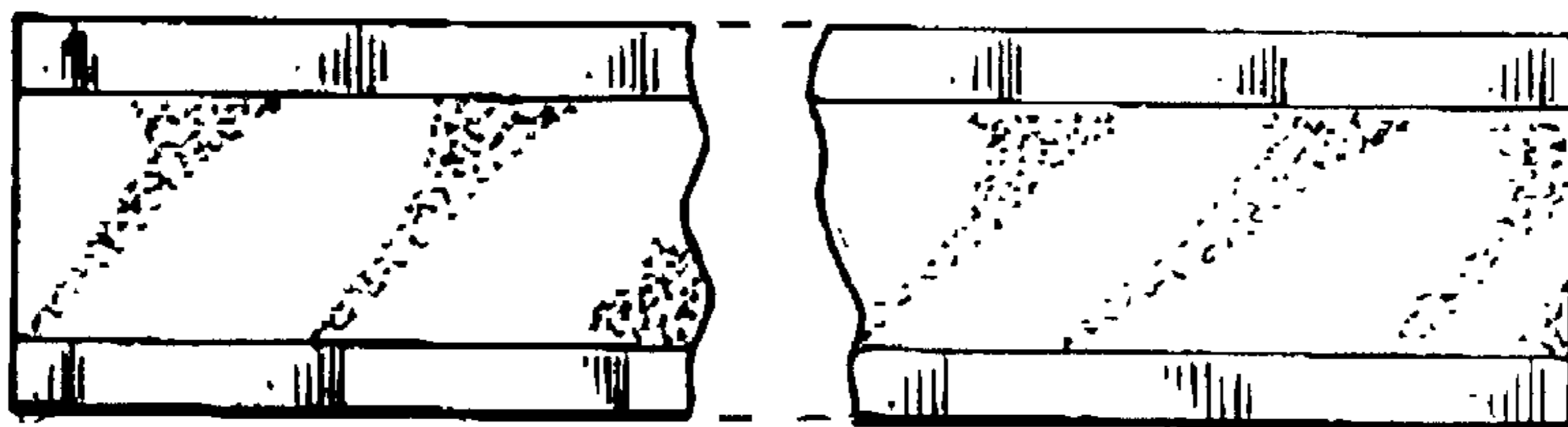


Fig. 5.