



US00D454115S

(12) **United States Design Patent**
Zemba

(10) **Patent No.:** **US D454,115 S**
(45) **Date of Patent:** **** Mar. 5, 2002**

(54) **ELECTRICAL CONNECTOR**
(75) Inventor: **Hiroataka Zemba, Tokyo (JP)**
(73) Assignee: **Hirose Electric Co., Ltd., Tokyo (JP)**
(**) Term: **14 Years**

3,546,658 A * 12/1970 Van Horssen et al. .. 439/320 X
3,659,251 A * 4/1972 Fish 439/610
3,732,527 A * 5/1973 McKnight 439/471
4,018,979 A * 4/1977 Young 174/35 C
4,375,011 A * 2/1983 Grunau 174/65 SS
5,796,040 A * 8/1998 Feketitsch 174/65 SS
5,920,035 A * 7/1999 Haney et al. 174/65 SS

(21) Appl. No.: **29/140,590**
(22) Filed: **Apr. 23, 2001**
(30) **Foreign Application Priority Data**
Nov. 1, 2000 (JP) 2000-031314
(51) **LOC (7) Cl.** **13-03**
(52) **U.S. Cl.** **D13/147; D13/151**
(58) **Field of Search** D13/133, 146,
D13/151; 439/277, 306, 308, 320, 339,
359, 690, 727, 737, 738; 174/65 SS

* cited by examiner

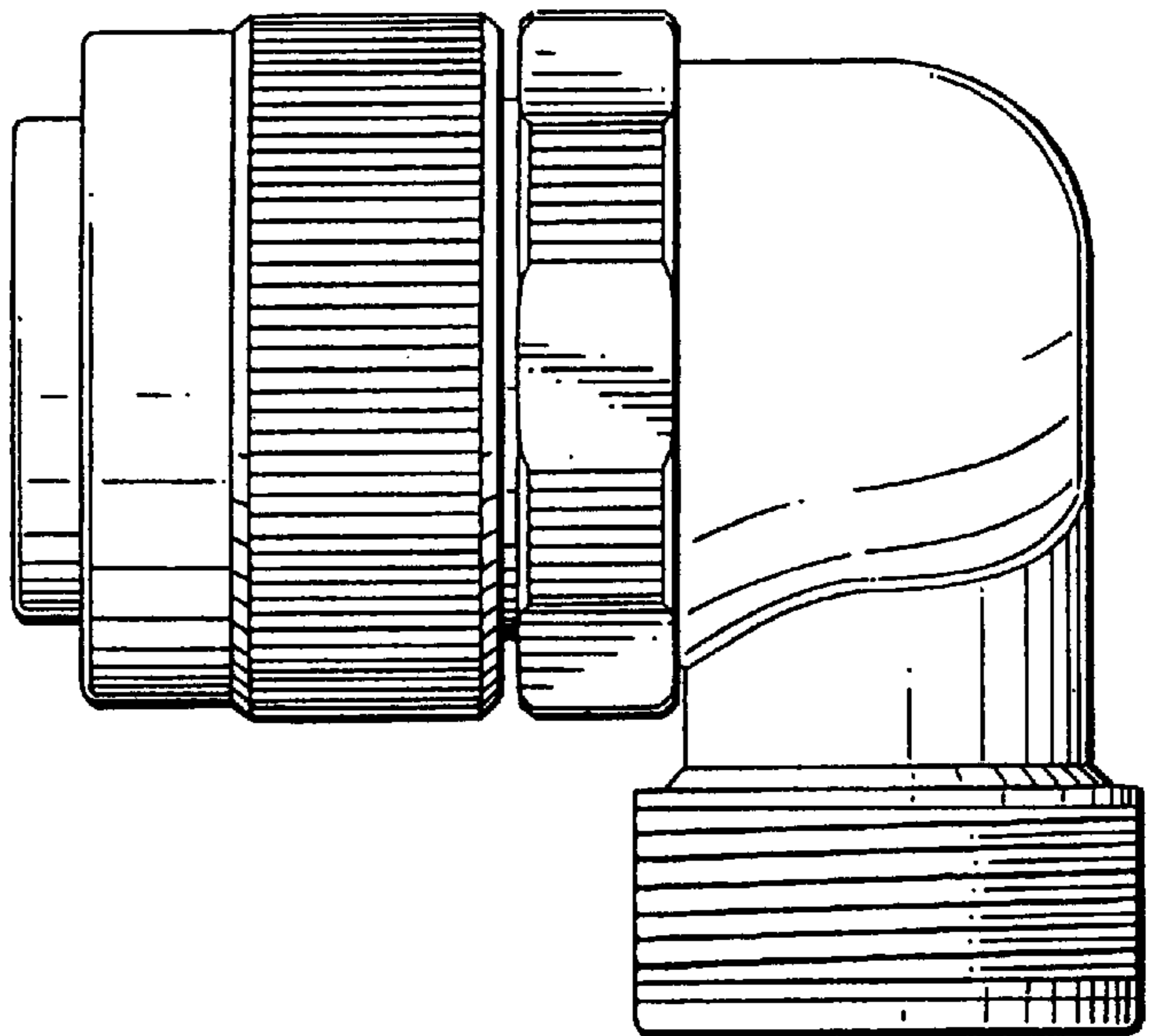
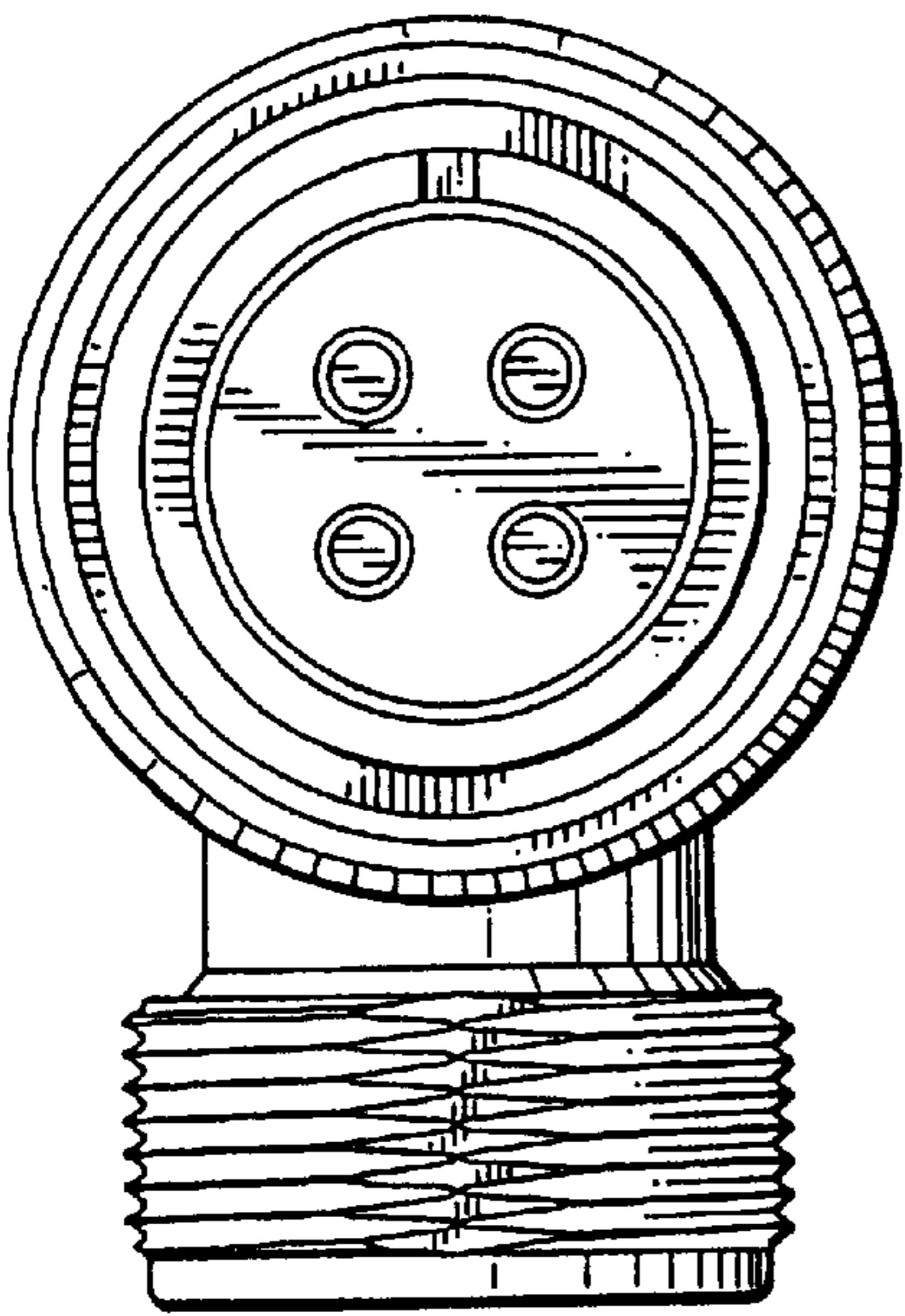
Primary Examiner—Joel Sincavage
(74) *Attorney, Agent, or Firm*—Kanesaka & Takeuchi

(56) **References Cited**
U.S. PATENT DOCUMENTS
2,385,191 A * 8/1945 Brunelle, Jr. 439/320 X
2,737,543 A * 3/1956 Irwin et al. 439/320 X
3,457,540 A * 7/1969 Rolfes 439/320 X

(57) **CLAIM**
The ornamental design for an electrical connector, as shown and described.

DESCRIPTION
FIG. 1 is a front elevational view of an electrical connector showing an embodiment of our new design;
FIG. 2 is a rear elevational view thereof;
FIG. 3 is a right-hand side elevational view thereof;
FIG. 4 is a left-hand side elevational view thereof;
FIG. 5 is a top plane view thereof; and,
FIG. 6 is a bottom plane view thereof.

1 Claim, 3 Drawing Sheets



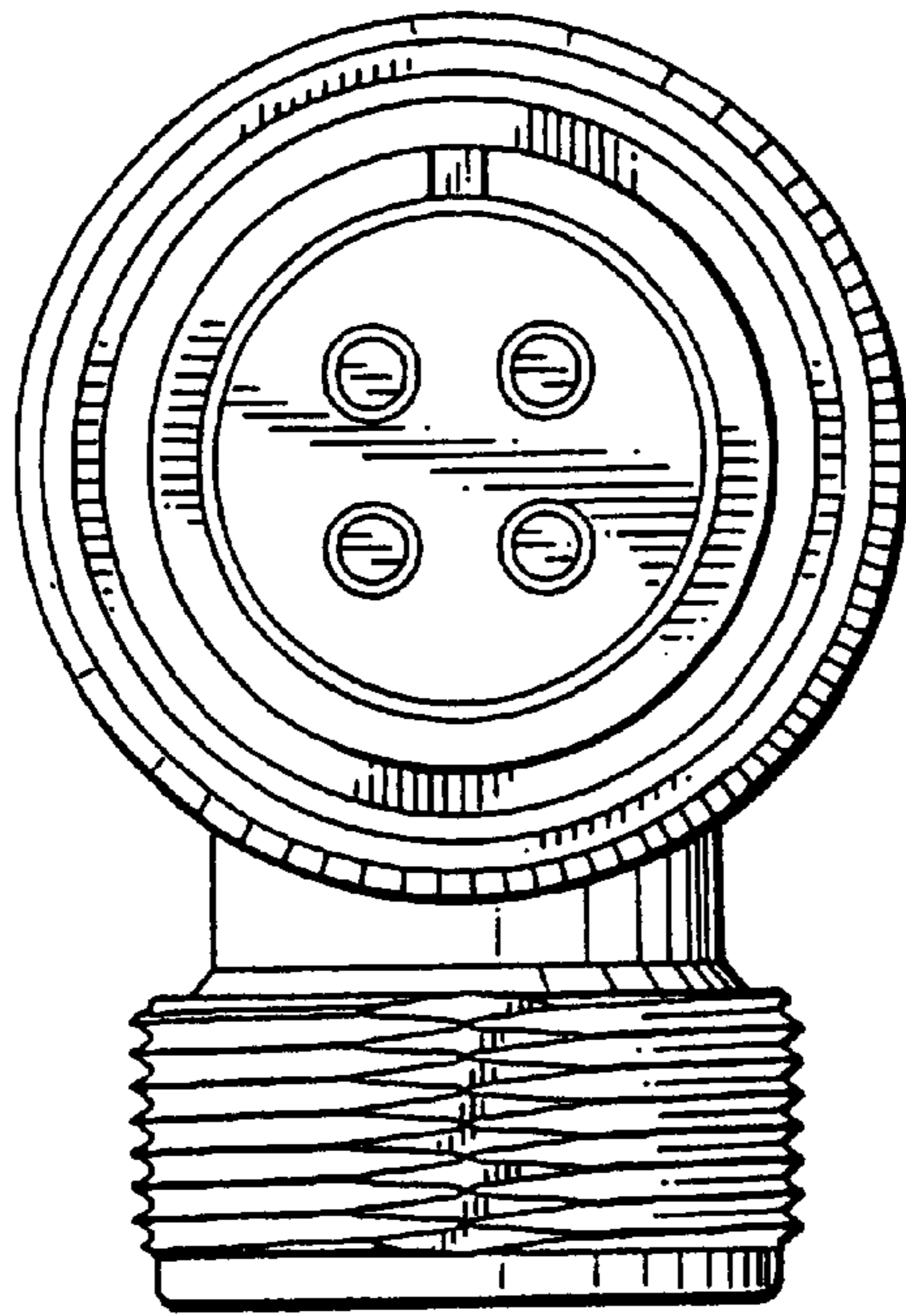


FIG. 1

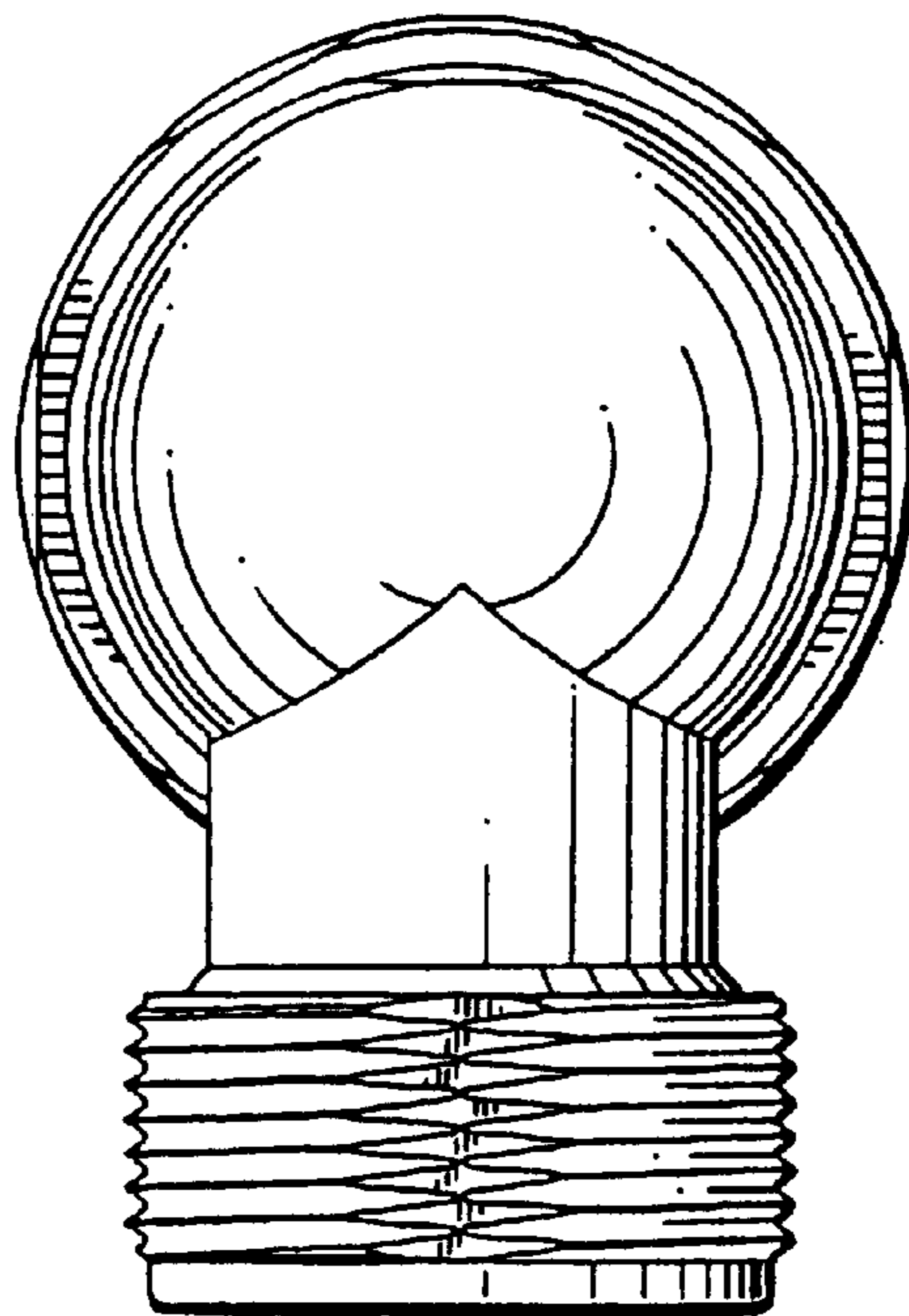


FIG. 2

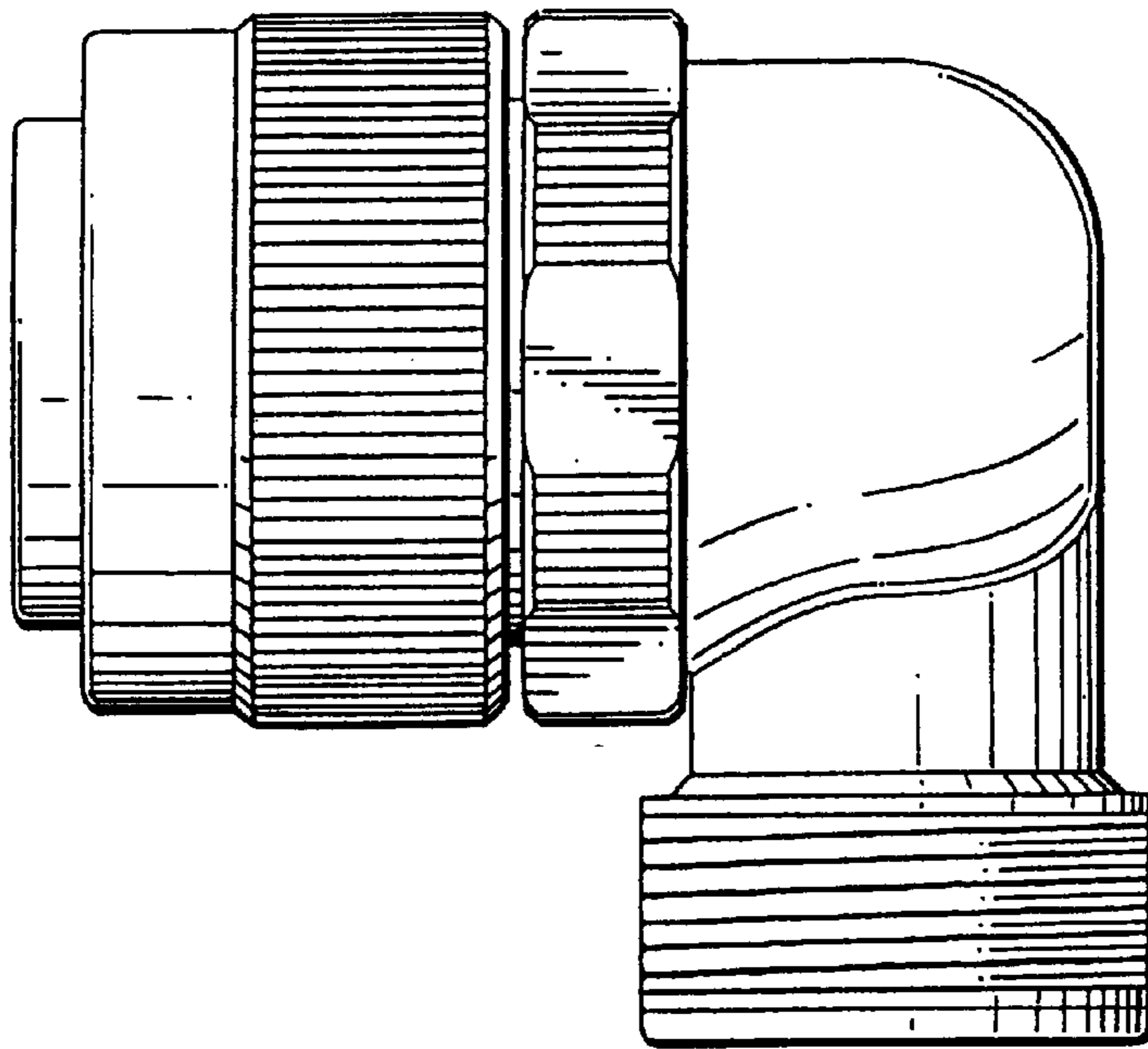


FIG. 3

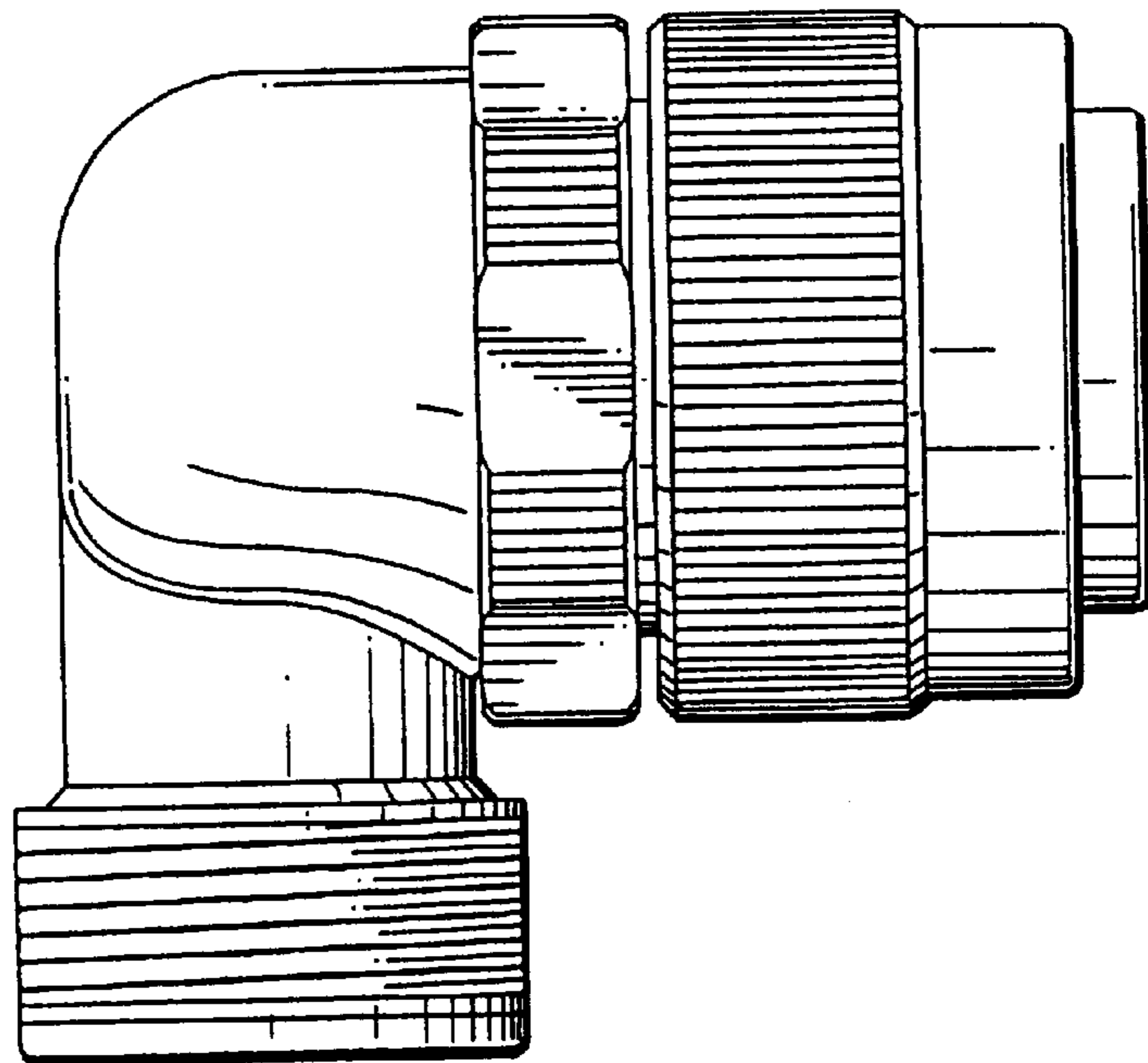


FIG. 4

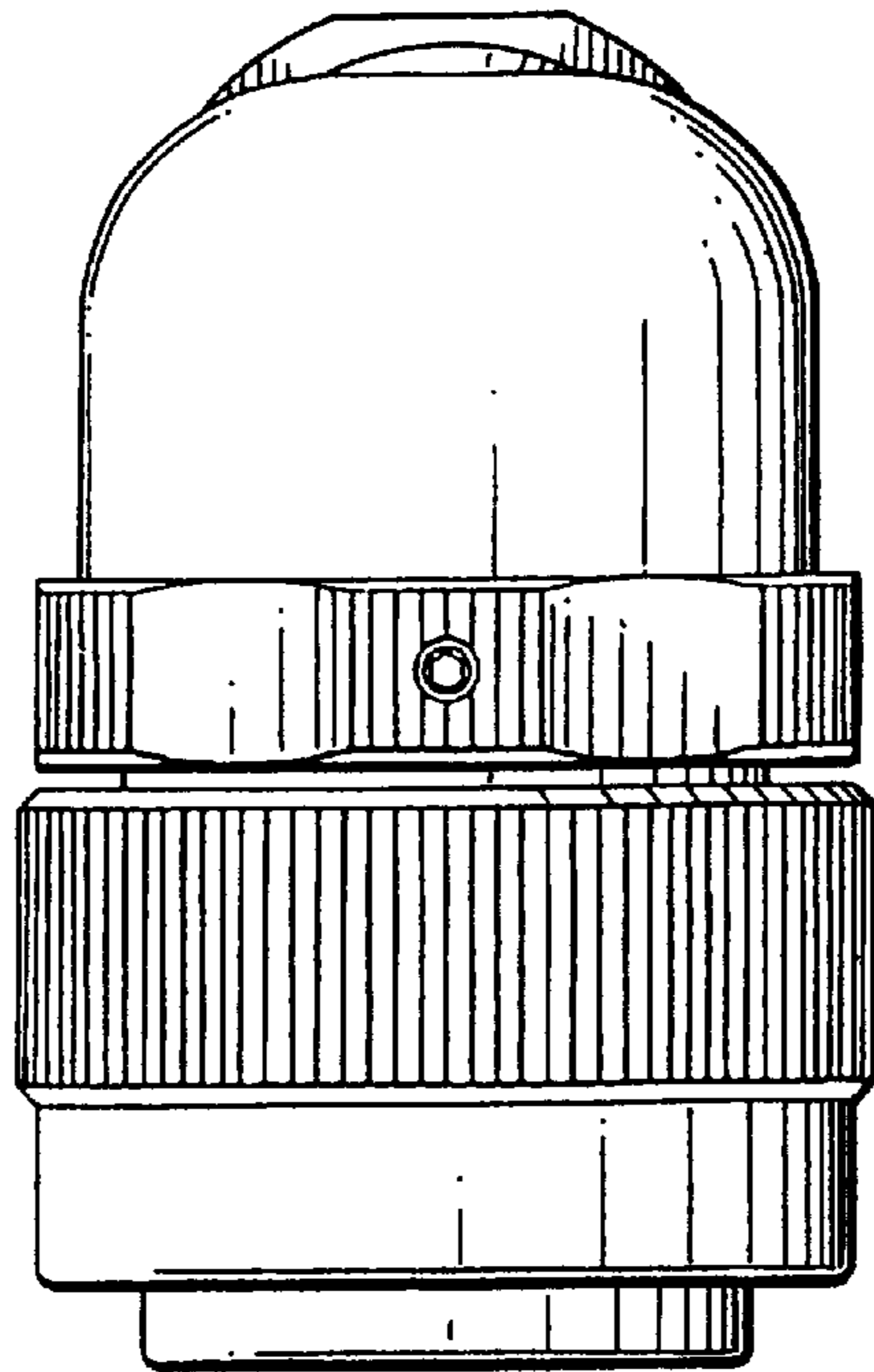


FIG. 5

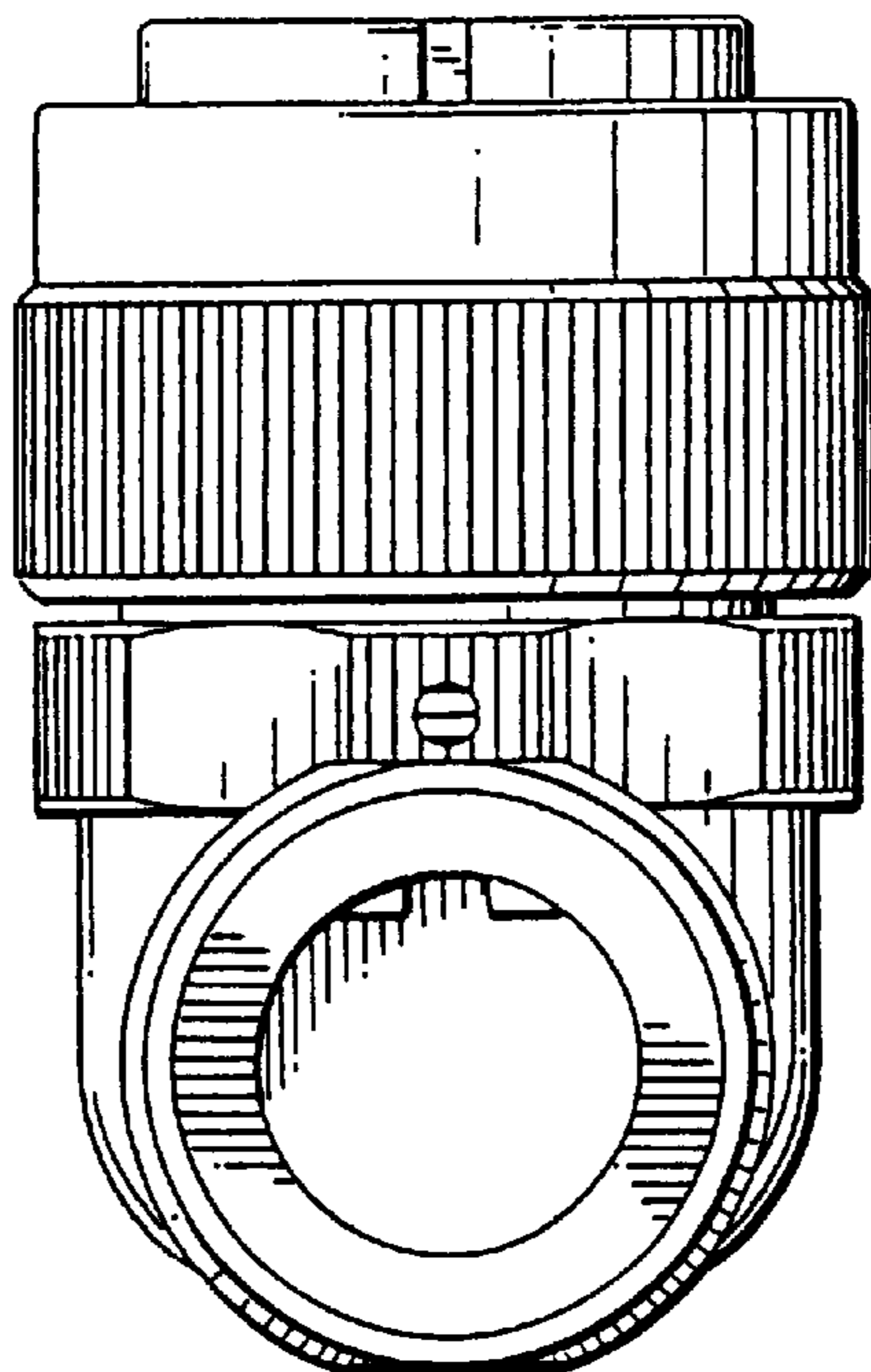


FIG. 6