



US00D454114S

(12) **United States Design Patent**
Hayashi et al.

(10) **Patent No.:** **US D454,114 S**

(45) **Date of Patent:** **** Mar. 5, 2002**

(54) **ELECTRICAL CONNECTOR**

6,146,171 A * 11/2000 Kunishi et al. 439/260

(75) Inventors: **Koji Hayashi**, Tachikawa; **Masaaki Takaku**, Tokyo, both of (JP)

* cited by examiner

(73) Assignee: **Japan Aviation Electronics Industry, Limited**, Tokyo (JP)

Primary Examiner—Joel Sincavage
(74) *Attorney, Agent, or Firm*—Michael Best & Friedrich LLC; J. Warren Whitesel

(**) Term: **14 Years**

(57) **CLAIM**

(21) Appl. No.: **29/119,788**

The ornamental design for an electric connector, as shown and described.

(22) Filed: **Mar. 8, 2000**

DESCRIPTION

(30) **Foreign Application Priority Data**

Sep. 9, 1999 (JP) 11-24312

(51) **LOC (7) Cl.** **13-03**

(52) **U.S. Cl.** **D13/147**

(58) **Field of Search** D13/146, 147;
439/357, 260, 329, 422, 492-499, 660

FIG. 1 is a front elevational view of an electric connector; FIG. 2 is a rear elevational view thereof; FIG. 3 is a right side elevational view thereof; FIG. 4 is a cross-sectional view thereof along the line 4—4 of FIG. 1; FIG. 5 is a top plan view thereof; FIG. 6 is a bottom plan view thereof; FIG. 7 is a perspective view of the front and right side thereof; and, FIG. 8 is a perspective view illustrating a state in use thereof wherein the electric connector is coupled with a wire-harness.

(56) **References Cited**

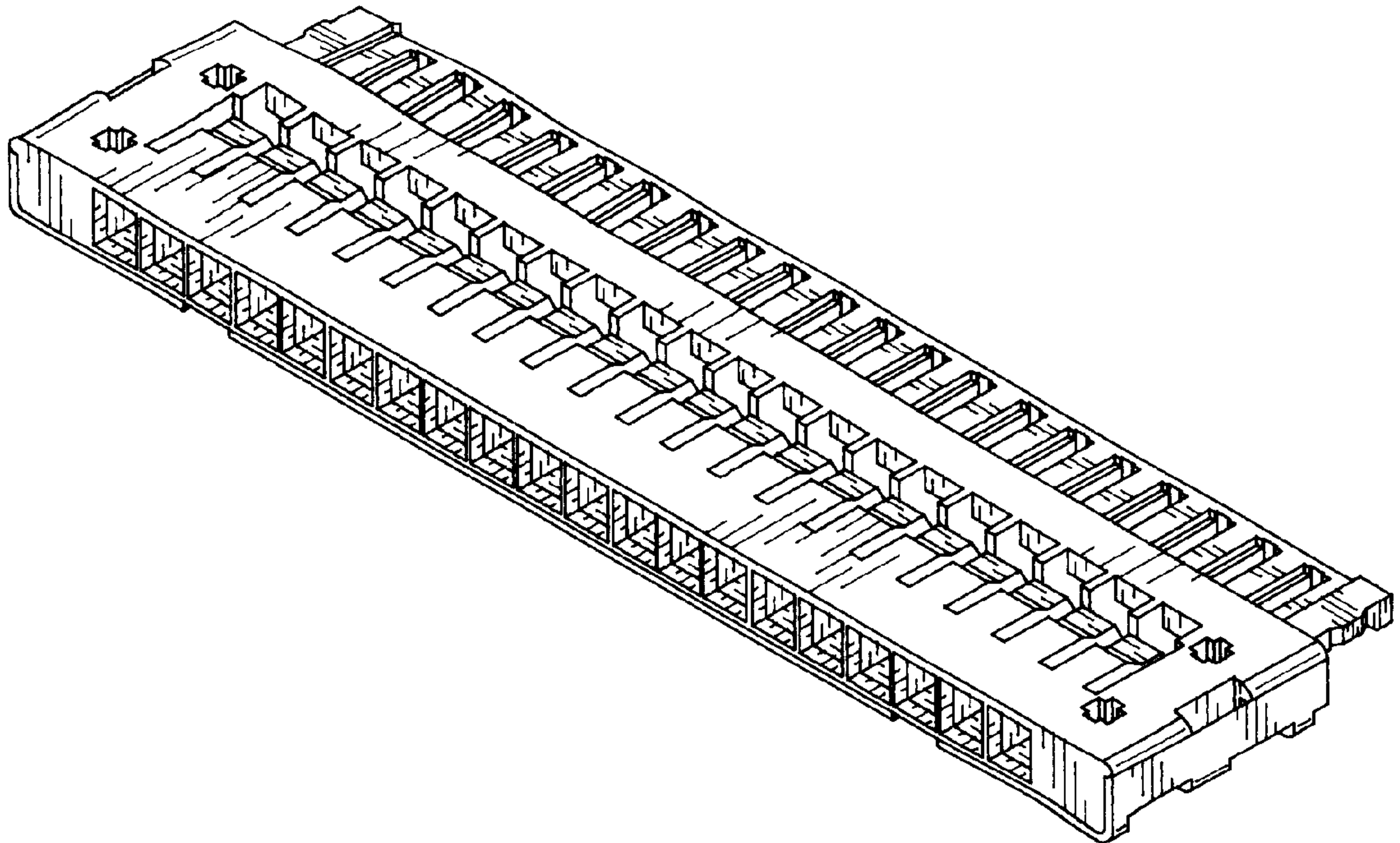
U.S. PATENT DOCUMENTS

- 3,960,436 A * 6/1976 Zebisch 439/660
- D293,432 S * 12/1987 Masuda D13/147
- D323,484 S * 1/1992 Takayanagi D13/147
- 5,241,135 A * 8/1993 Fetzer 174/88 R
- D376,582 S * 12/1996 Mitani et al. D13/147
- 5,800,204 A * 9/1998 Niitsu 439/495
- 6,015,310 A * 1/2000 Tojo 439/260
- 6,066,000 A * 5/2000 Masumoto et al. 439/607
- D429,219 S * 8/2000 Chiou D13/147
- 6,099,346 A * 8/2000 Hashiguchi et al. 439/495

The broken line showing of the wiring harness in FIG. 8 is included for the purpose of illustrating environmental structure only and forms no part of the claimed design.

A left side elevation view of the electric connector is omitted because it is presented symmetrical to the right side elevational view of FIG. 3.

1 Claim, 3 Drawing Sheets



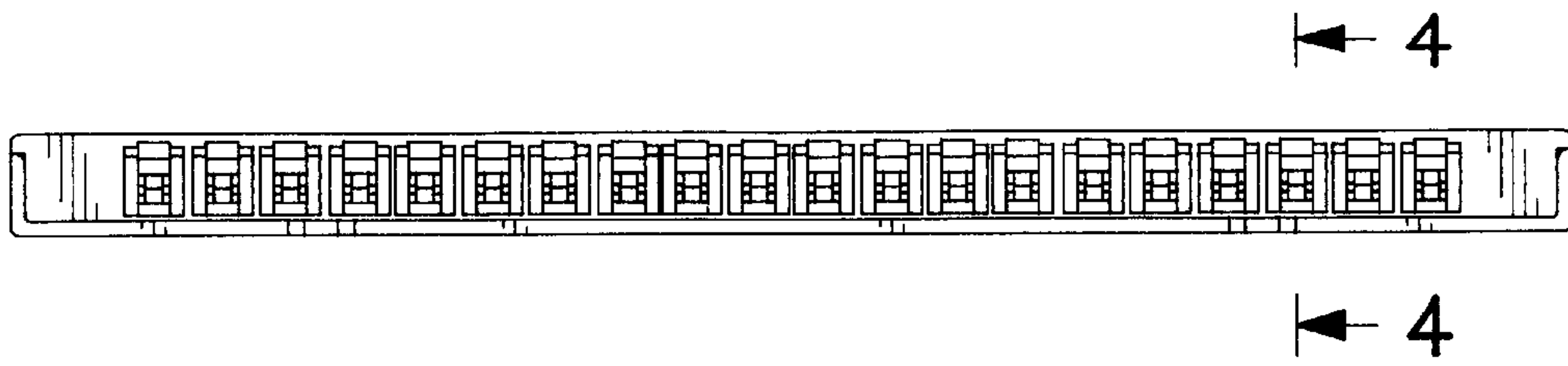


FIG. 1



FIG. 2



FIG. 3



FIG. 4

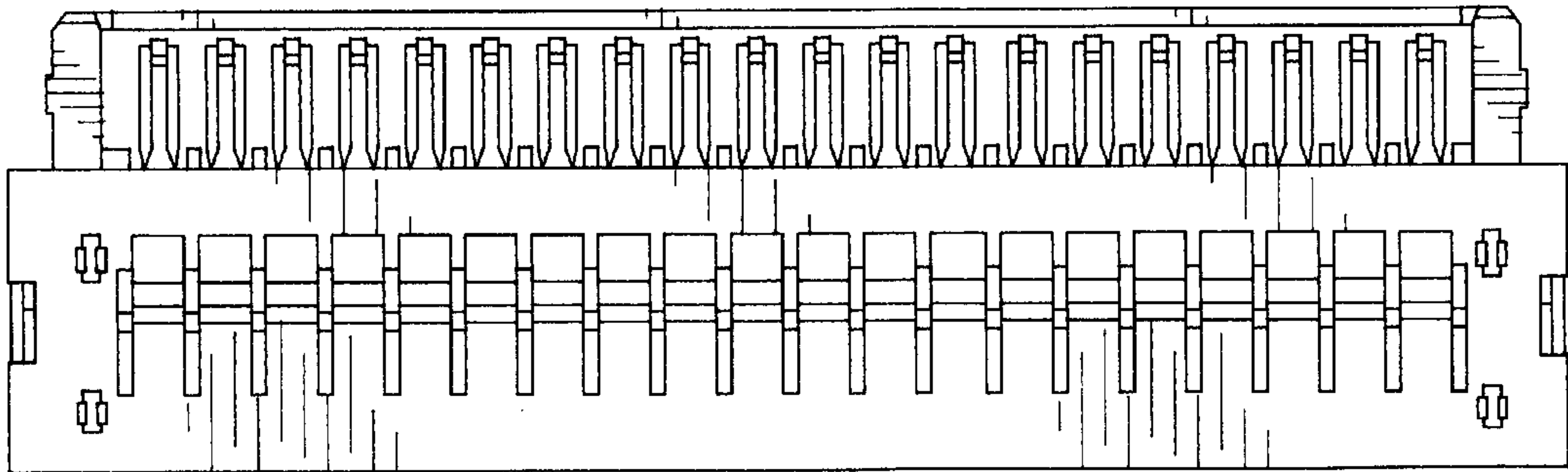


FIG. 5

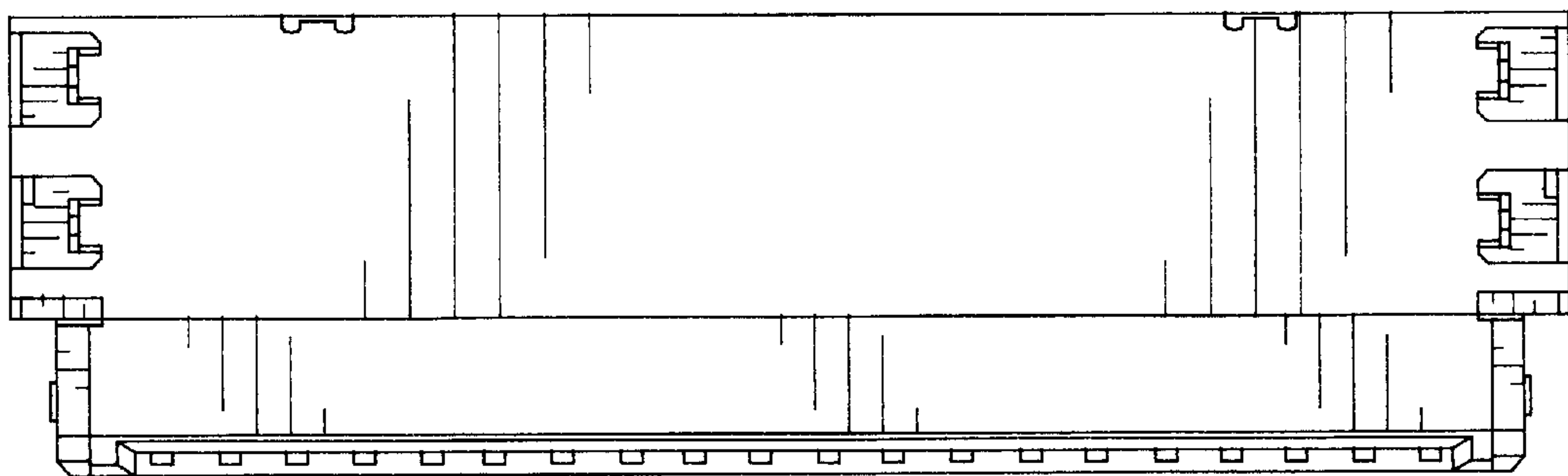


FIG. 6

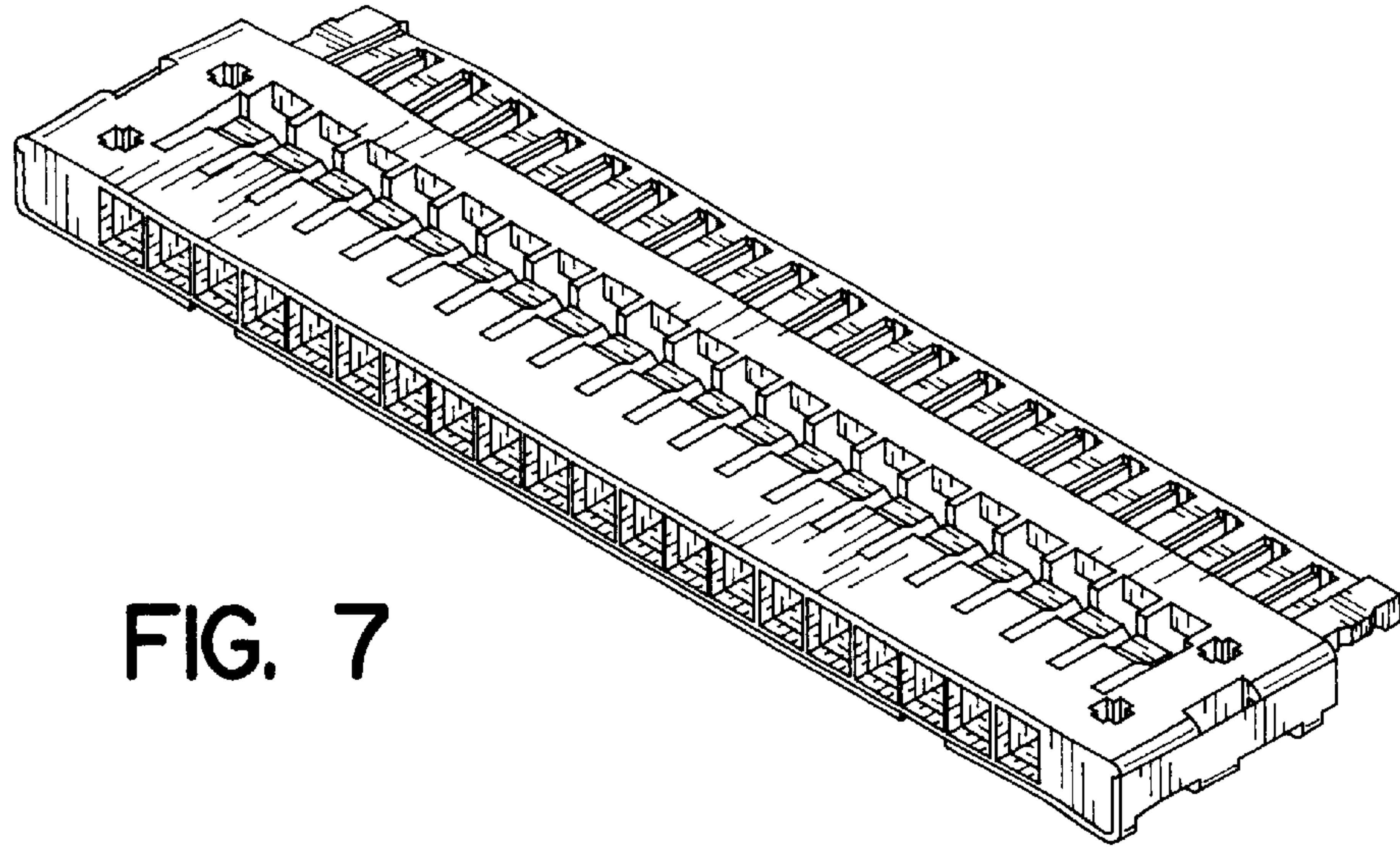


FIG. 7

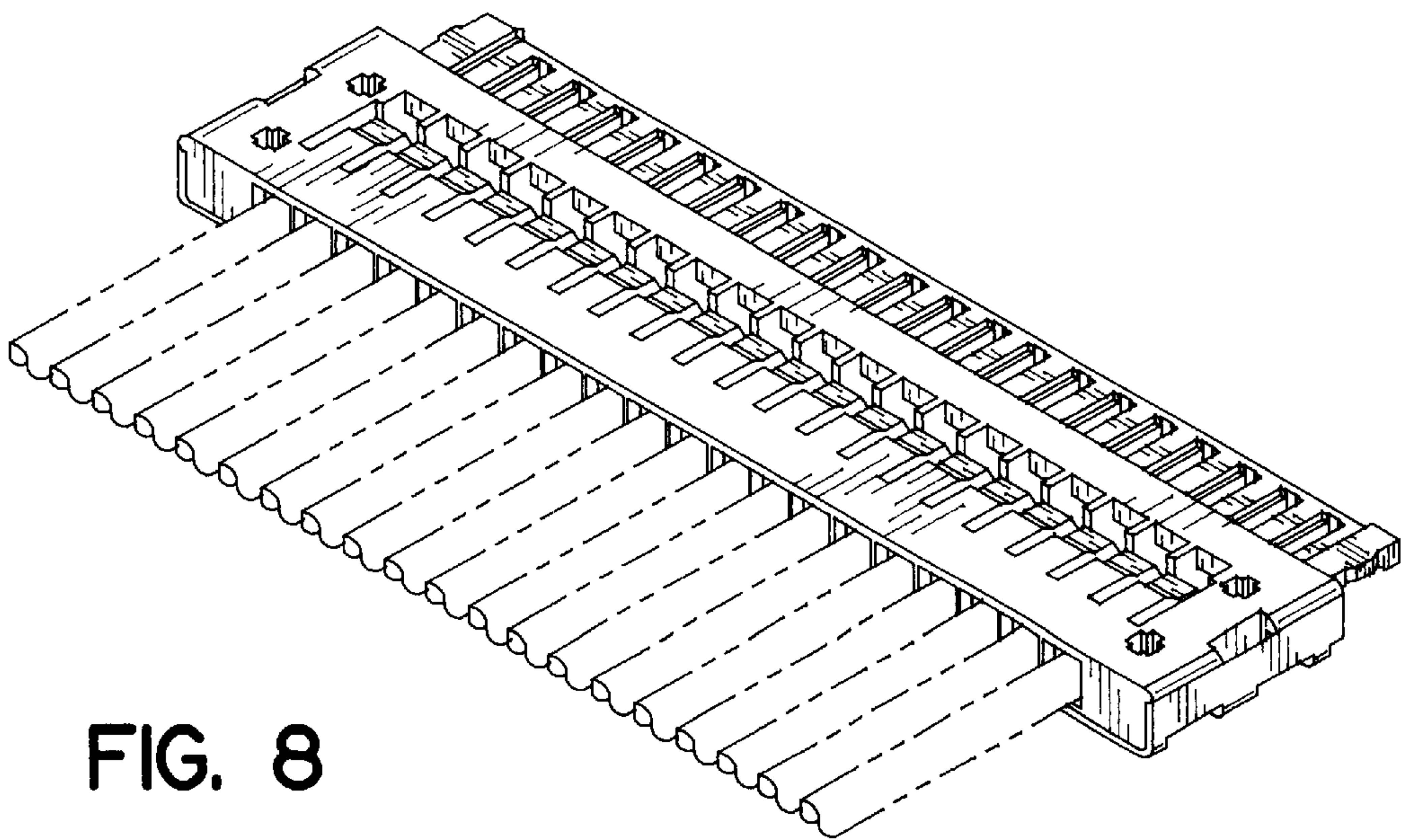


FIG. 8