



US00D454107S

(12) **United States Design Patent**  
**Chung**

(10) **Patent No.:** **US D454,107 S**

(45) **Date of Patent:** **\*\* Mar. 5, 2002**

(54) **AUTOMOTIVE WHEEL**

(75) **Inventor:** **Suny Chung**, Placentia, CA (US)

(73) **Assignee:** **MKW Alloys, INC**, City of Industry, CA (US)

(\*\*) **Term:** **14 Years**

(21) **Appl. No.:** **29/133,040**

(22) **Filed:** **Nov. 20, 2000**

(51) **LOC (7) Cl.** ..... **12-16**

(52) **U.S. Cl.** ..... **D12/211**

(58) **Field of Search** ..... **D12/204-211;**  
**301/37.1, 64.1, 65**

D418,473 S	*	1/2000	Chung	.....	D12/211
D423,445 S	*	4/2000	Baumgartner	.....	D12/211
D424,500 S	*	5/2000	Johnson	.....	D12/209
D438,504 S	*	3/2001	Muzzarelli	.....	D12/211
D442,536 S	*	5/2001	Chung	.....	D12/211

\* cited by examiner

*Primary Examiner*—Stacia Cadmus

(74) *Attorney, Agent, or Firm*—G. Donald Weber, Jr.

(57) **CLAIM**

The ornamental design for an automotive wheel, as shown and described.

**DESCRIPTION**

FIG. 1 is an oblique view of the automotive wheel of the instant invention; and,

FIG. 2 is a side elevation view of the automotive wheel of the instant invention.

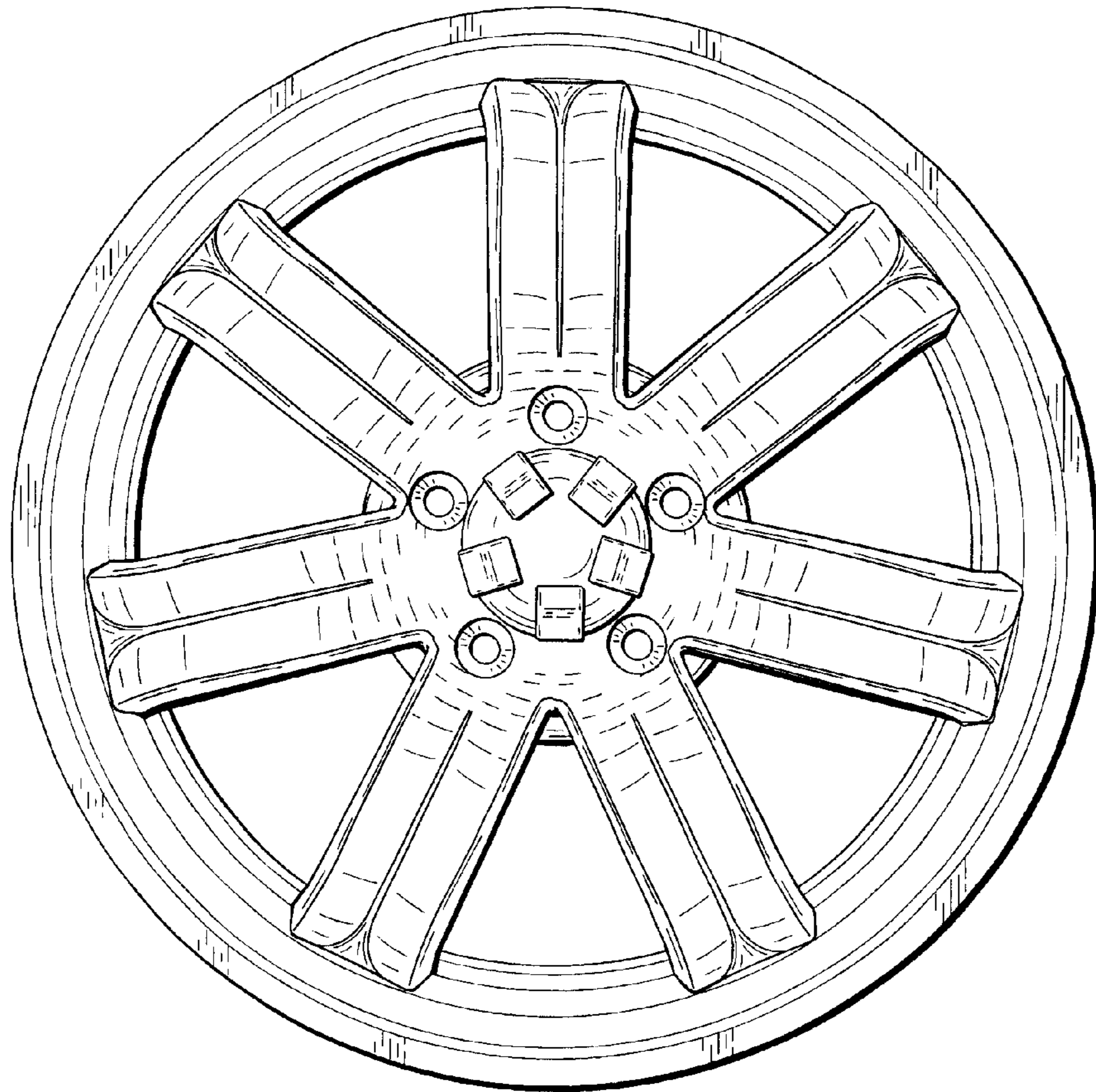
The broken line showing of environment is for illustrative purposes only and forms no part of the claimed design.

(56) **References Cited**

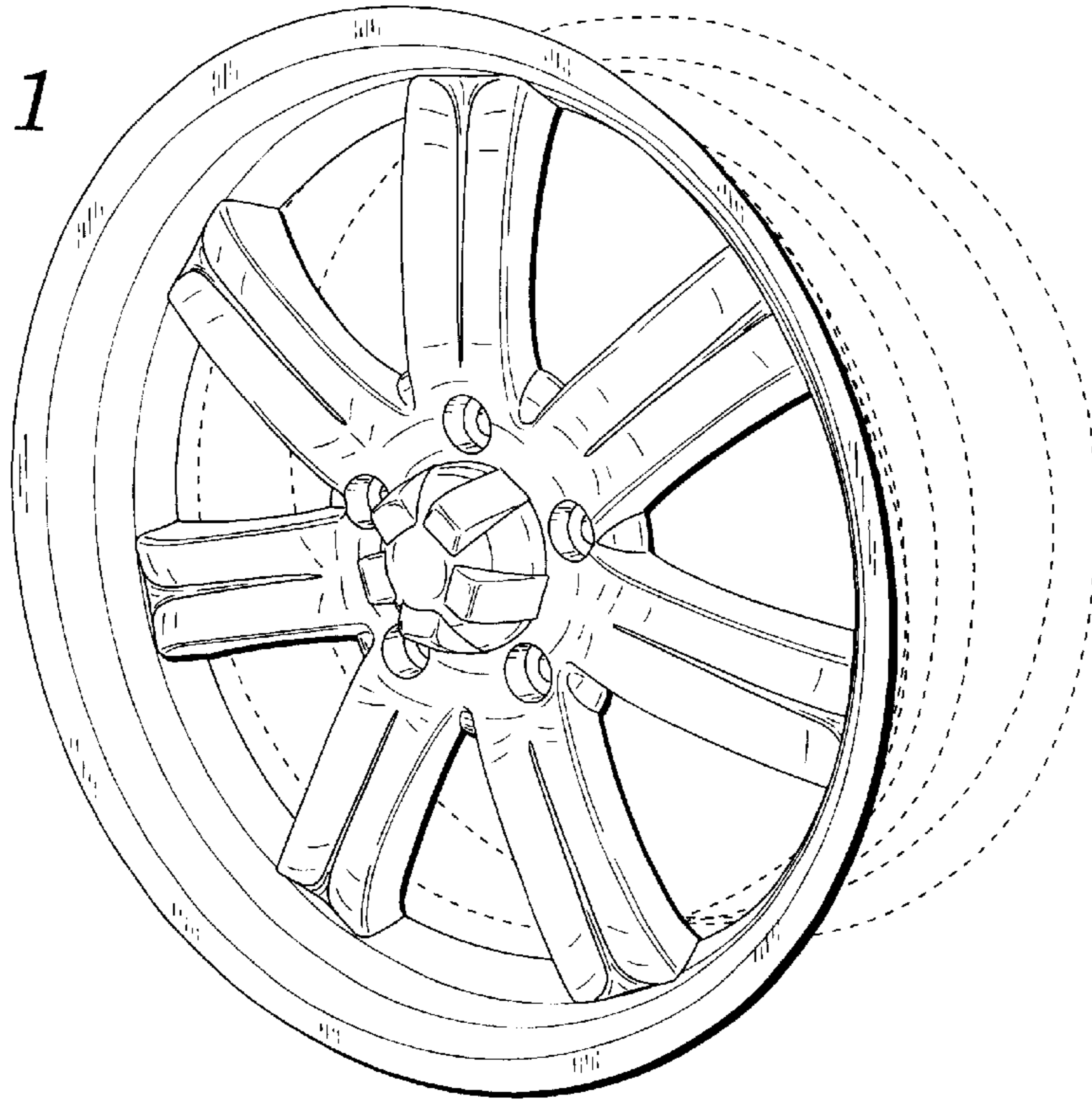
**U.S. PATENT DOCUMENTS**

D337,563 S	*	7/1993	Boselli	.....	D12/209
D388,047 S	*	12/1997	Pfeiffer et al.	.....	D12/211
D407,681 S	*	4/1999	Sacco et al.	.....	D12/209
D408,346 S	*	4/1999	Goplen	.....	D12/211

**1 Claim, 1 Drawing Sheet**



*Fig. 1*



*Fig. 2*

