



US00D454104S

(12) **United States Design Patent**
Hieke

(10) **Patent No.:**

US D454,104 S

(45) **Date of Patent:**

**** Mar. 5, 2002**

(54) **FRONT FACE OF A VEHICLE WHEEL**

(75) Inventor: **Claus Hieke**, Sindelfingen (DE)

(73) Assignee: **DaimlerChrysler AG**, Stuttgart (DE)

(**) Term: **14 Years**

D335,859 S	*	5/1993	Mattin	D12/211
D374,646 S	*	10/1996	Abbott	D12/209
D375,074 S	*	10/1996	Sacco et al.	D12/209
D394,038 S	*	5/1998	Braun	D12/211
D419,512 S	*	1/2000	Sacco et al.	D12/209
D419,517 S	*	1/2000	Sacco et al.	D12/211
D427,960 S	*	7/2000	Sacco et al.	D12/209

* cited by examiner

(21) Appl. No.: **29/119,294**

(22) Filed: **Feb. 29, 2000**

(30) **Foreign Application Priority Data**

Aug. 31, 1999 (DE) 499 08 002

(51) **LOC (7) Cl.** **12-16**

(52) **U.S. Cl.** **D12/209**

(58) **Field of Search** D12/204-211;
301/37.1, 64.1, 65

(56) **References Cited**

U.S. PATENT DOCUMENTS

D231,656 S	*	5/1974	Ishibashi	D12/209
D298,527 S	*	11/1988	Lorinser	D12/211
D316,073 S	*	4/1991	Koch	D12/211

Primary Examiner—Stacia Cadmus

(74) *Attorney, Agent, or Firm*—Crowell & Moring LLP

(57) **CLAIM**

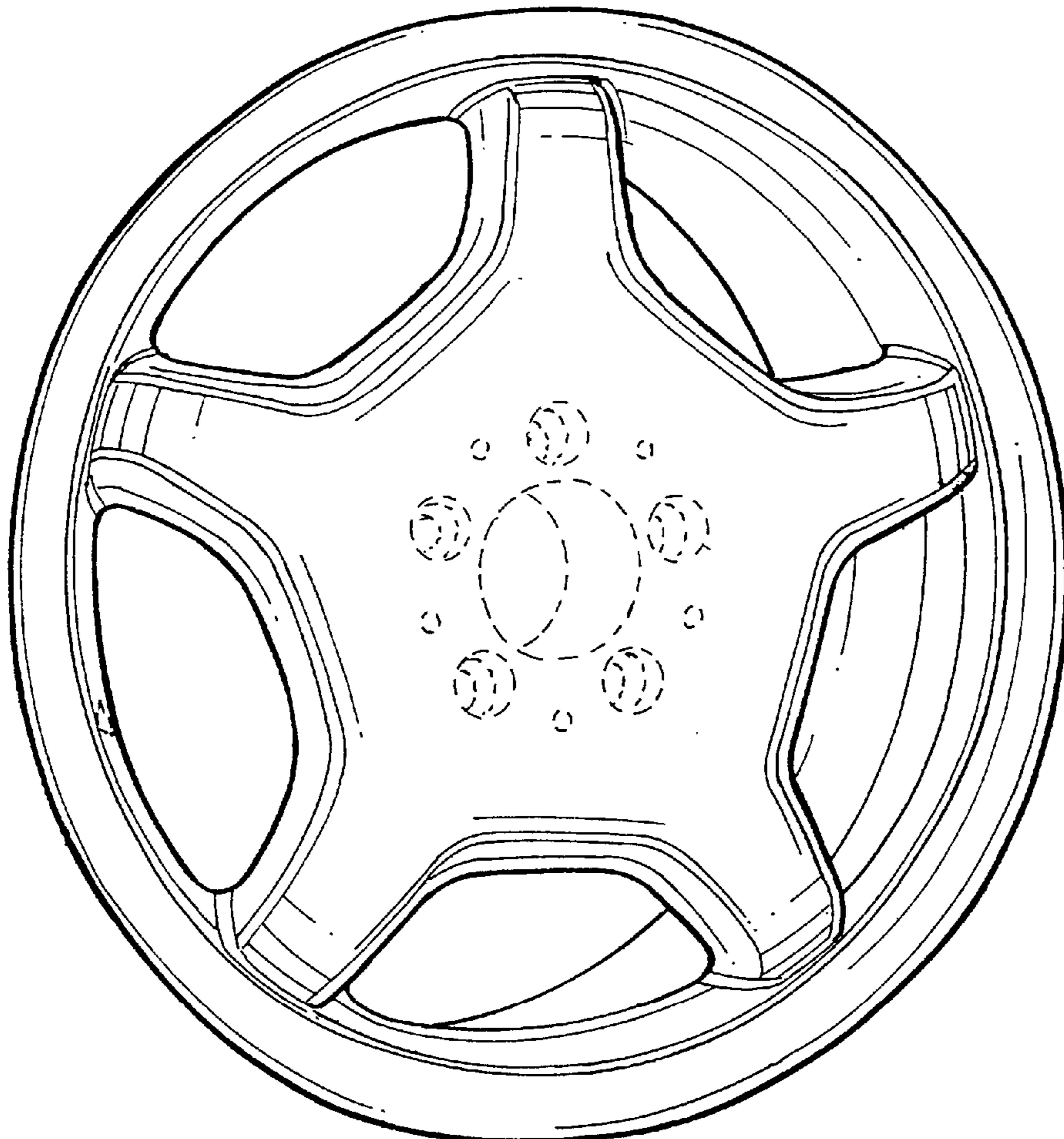
The ornamental design for a front face of a vehicle wheel, as shown and described.

DESCRIPTION

FIG. 1 is a perspective view of a front face of a vehicle wheel according to my novel design; and, FIG. 2 is a front view of the front face of a vehicle wheel according to our novel design.

The dash lines included depict environment and are not part of the claimed design.

1 Claim, 1 Drawing Sheet



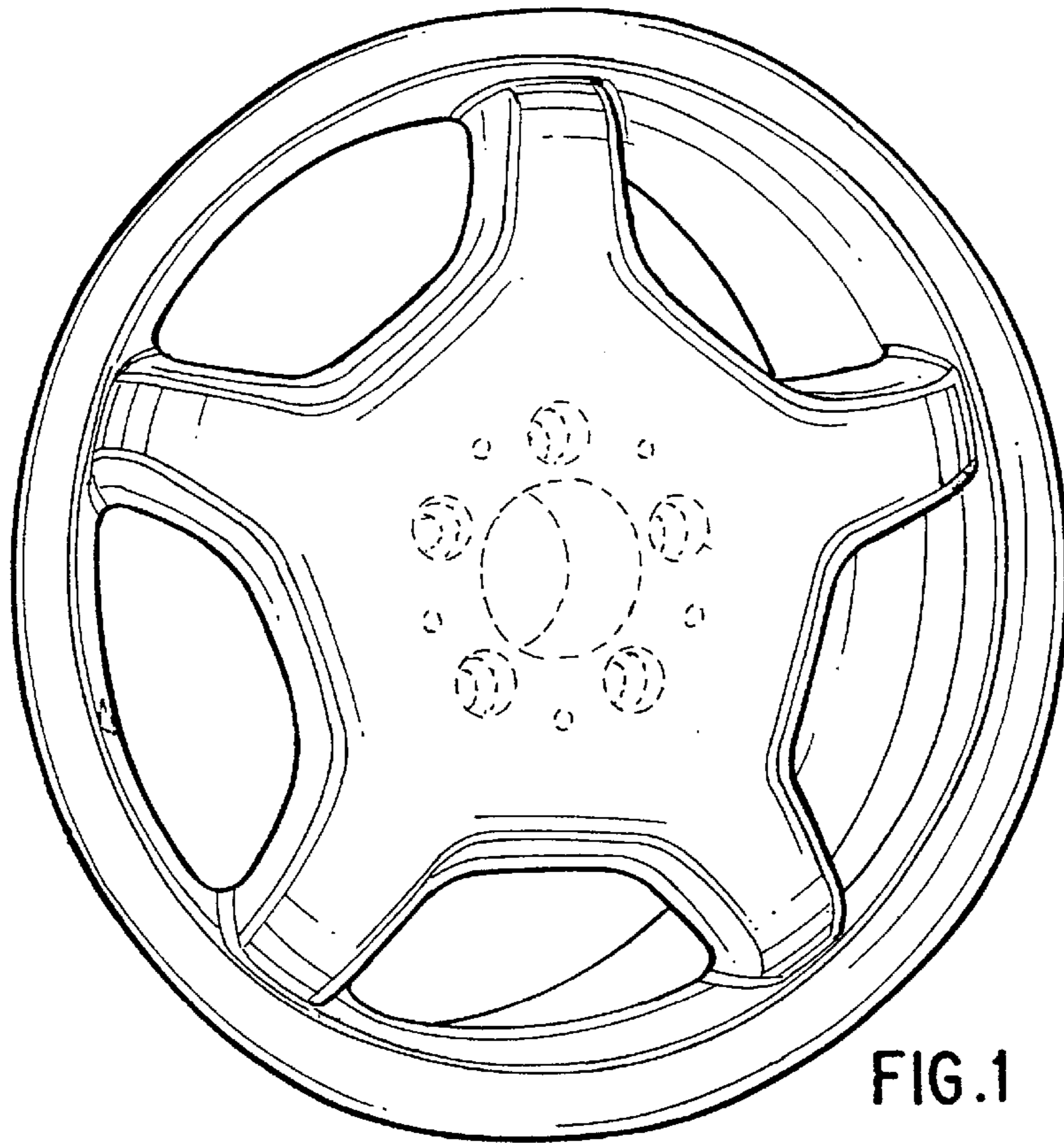


FIG. 1

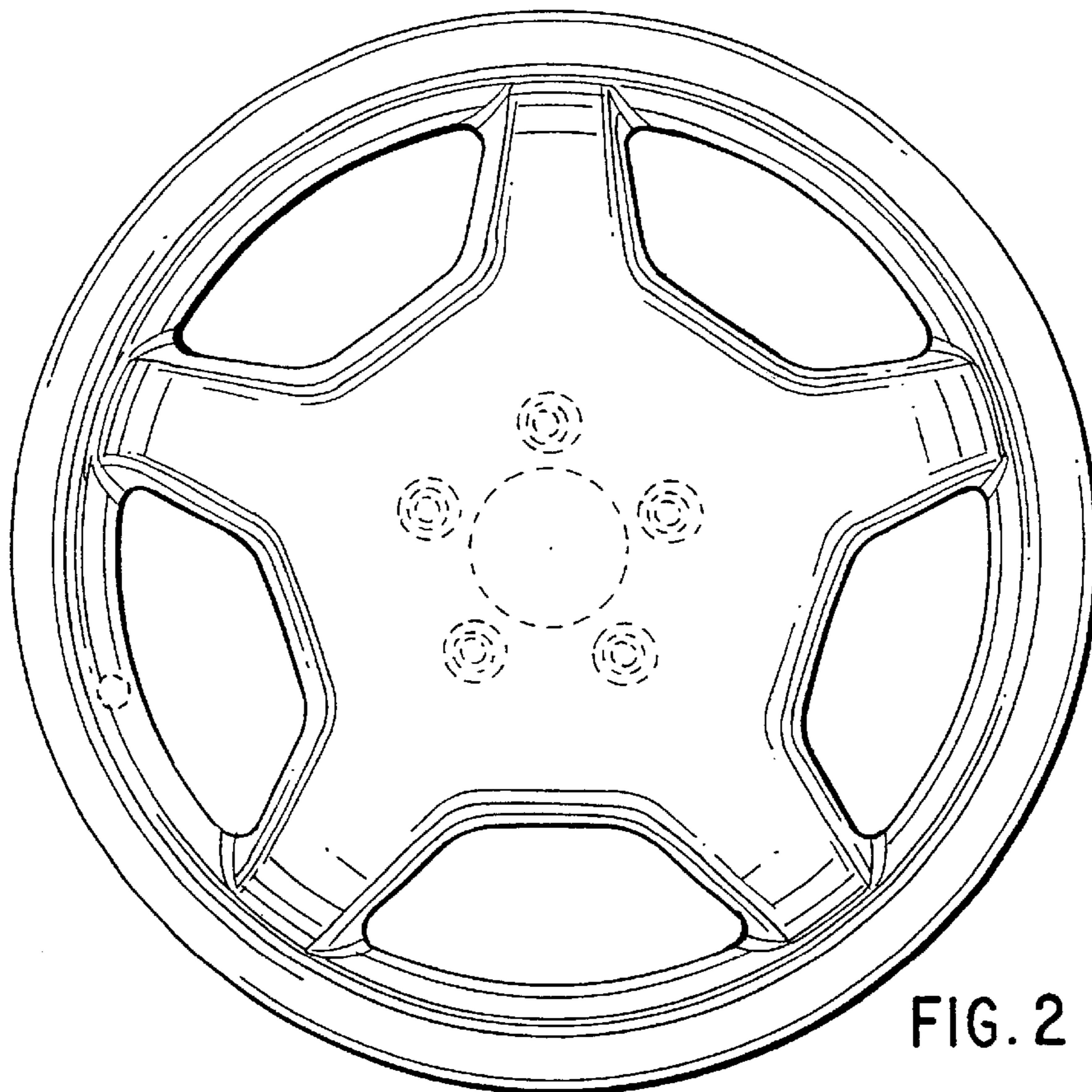


FIG. 2