



US00D454103S

(12) **United States Design Patent**
Iteya

(10) **Patent No.:** **US D454,103 S**

(45) **Date of Patent:** **** Mar. 5, 2002**

(54) **BICYCLE SHIFT CONTROL DEVICE**

(75) Inventor: **Yoshihide Iteya**, Osaka (JP)

(73) Assignee: **Shimano Inc.**, Osaka (JP)

(**) Term: **14 Years**

(21) Appl. No.: **29/138,202**

(22) Filed: **Mar. 9, 2001**

(51) **LOC (7) Cl.** **12-16**

(52) **U.S. Cl.** **D12/179**

(58) **Field of Search** D12/111, 114,
D12/174, 177-179; D8/303; 74/489, 488,
551.8, 551.9

(56) **References Cited**

U.S. PATENT DOCUMENTS

5,857,387 A * 1/1999 Larson et al. 74/551.9

* cited by examiner

Primary Examiner—Alan P. Douglas

Assistant Examiner—Linda Brooks

(74) *Attorney, Agent, or Firm*—Shinju Global IP
Counselors, LLP

(57) **CLAIM**

The ornamental design for a bicycle shift control device, as shown and described.

DESCRIPTION

FIG. 1 is a front perspective view of a bicycle shift control device in accordance with my new design;

FIG. 2 is a front elevational view of the bicycle shift control device illustrated in FIG. 1;

FIG. 3 is a rear elevational view of the bicycle shift control device illustrated in FIGS. 1 and 2;

FIG. 4 is a left side elevational view of the bicycle shift control device illustrated in FIGS. 1-3;

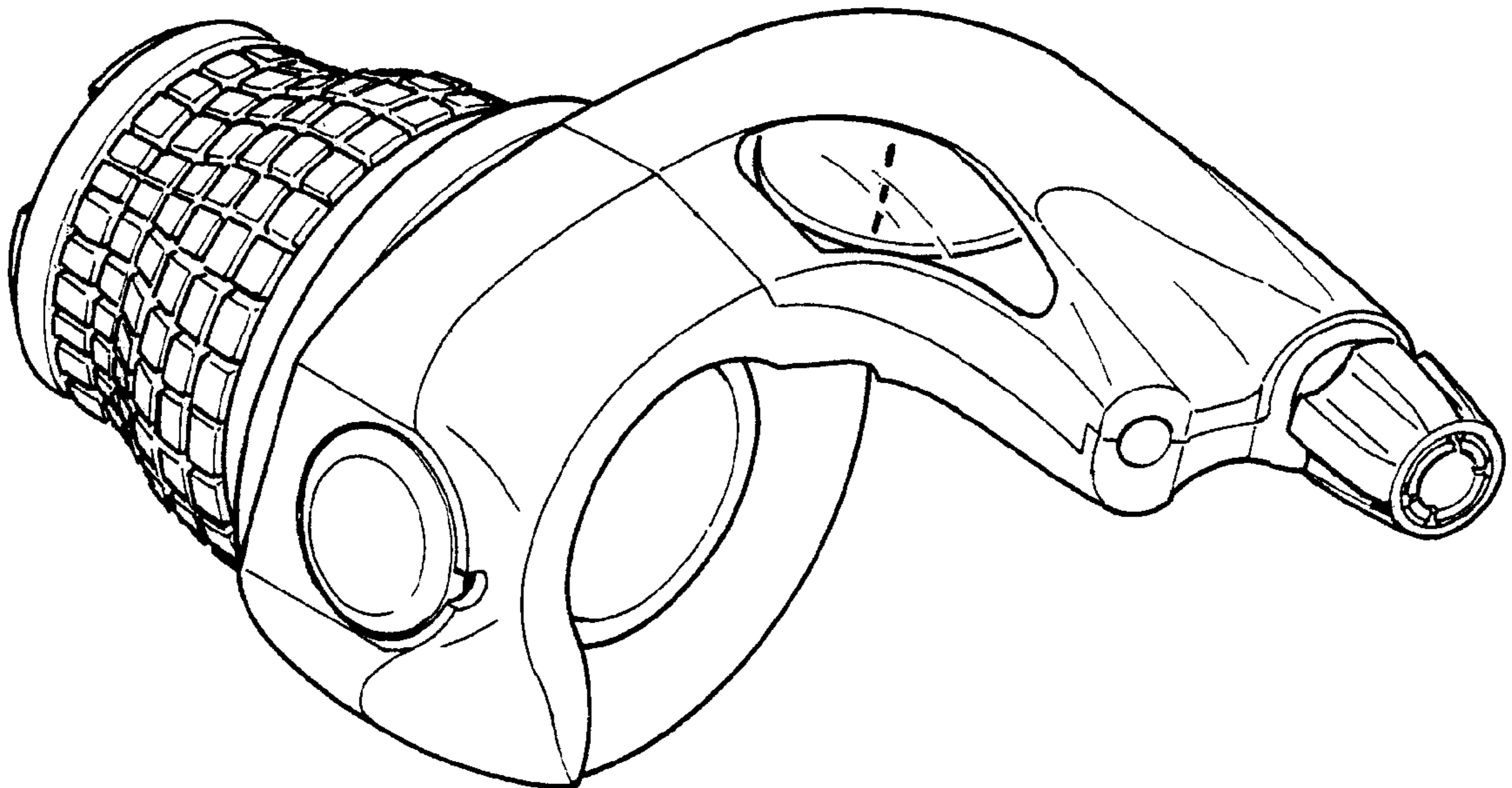
FIG. 5 is a right side elevational view of the bicycle shift control device illustrated in FIGS. 1-4;

FIG. 6 is a top plan view of the bicycle shift control device illustrated in FIGS. 1-5; and,

FIG. 7 is a bottom plan view of the bicycle device illustrated in FIGS. 1-6.

The broken line showing of environment (indicator number "1") in FIGS. 1, 2 and 6 is for illustrative purposes only and forms no part of the claimed design.

1 Claim, 7 Drawing Sheets



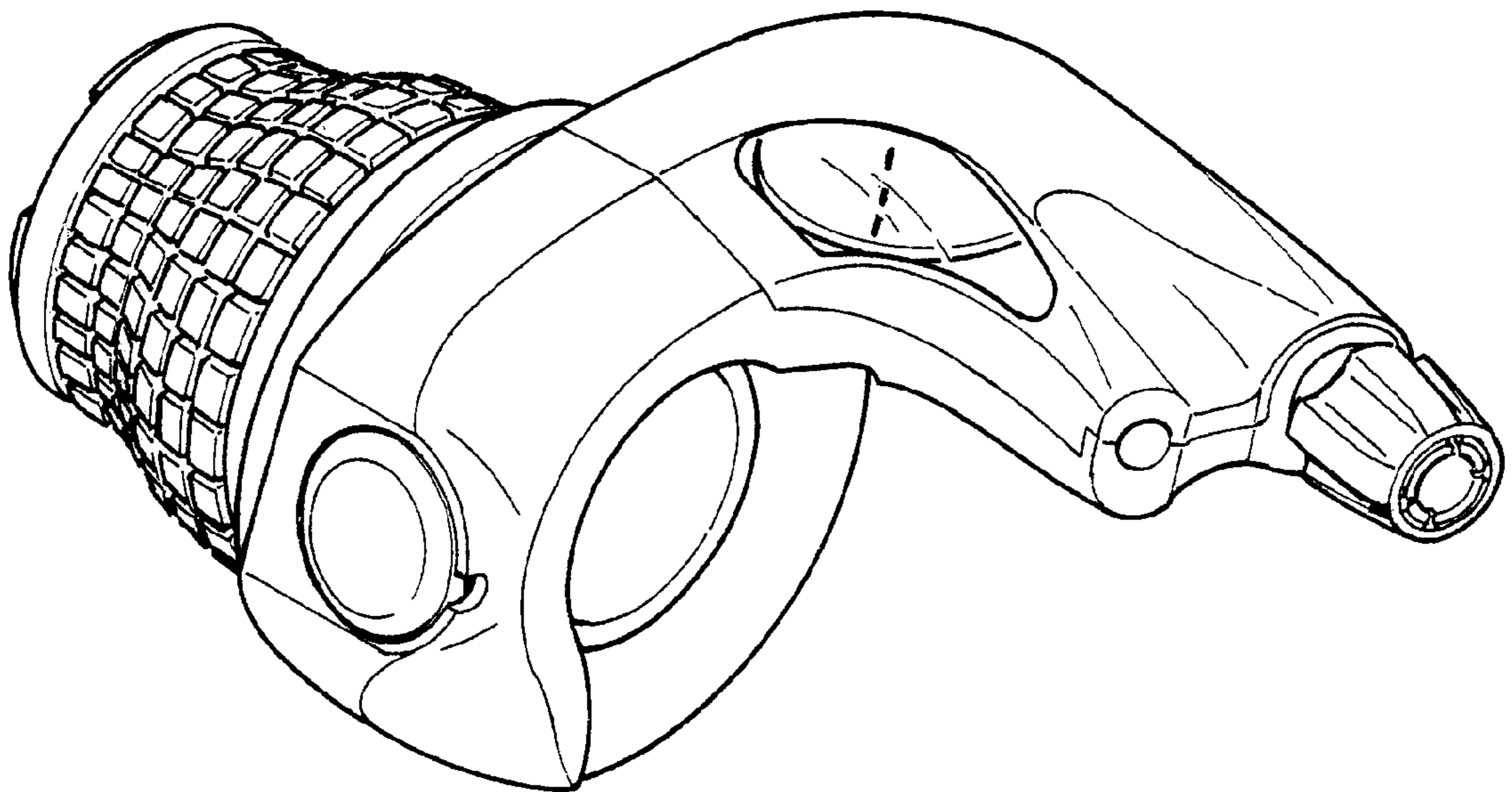


Fig. 1

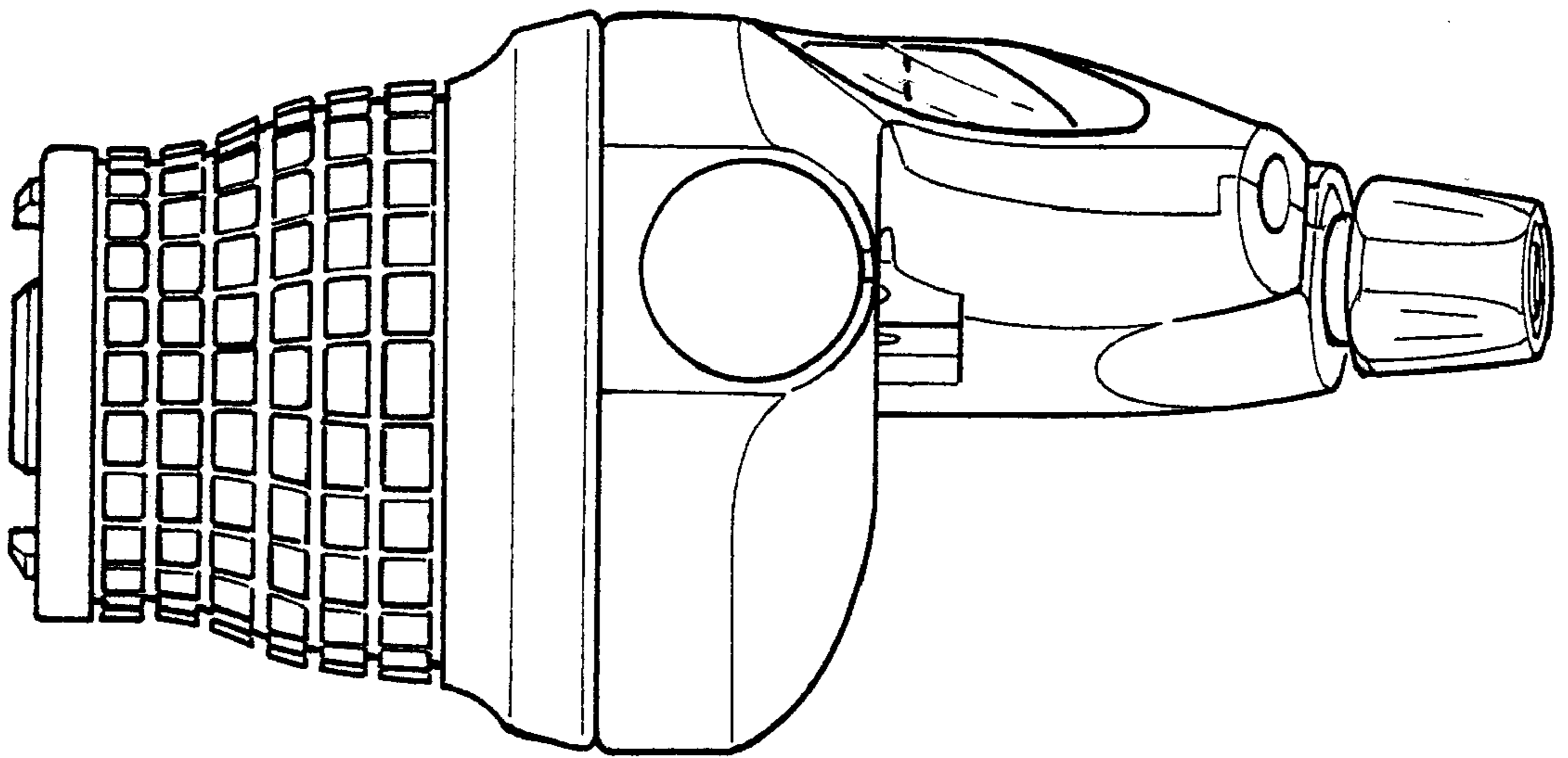


Fig. 2

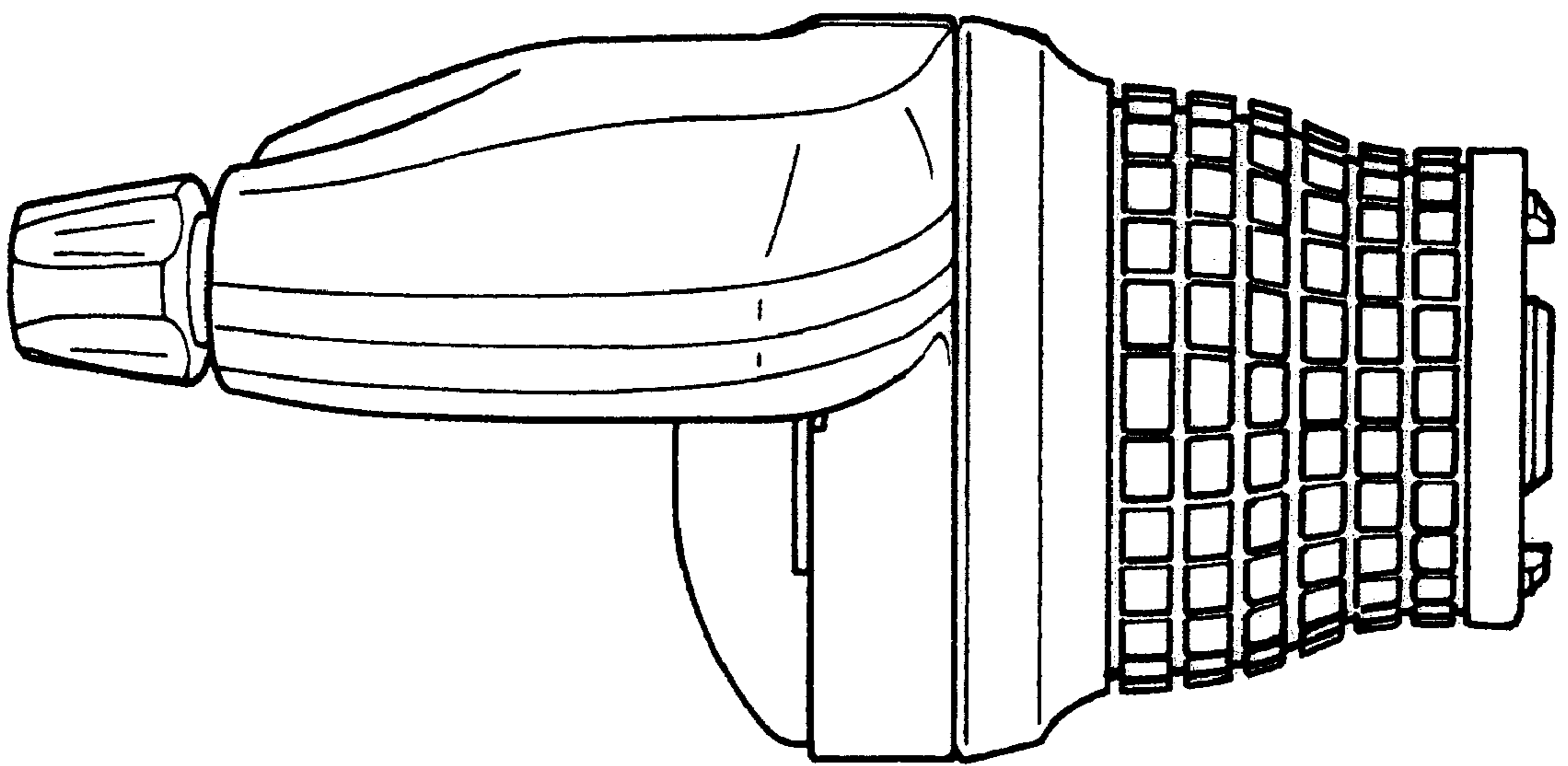


Fig. 3

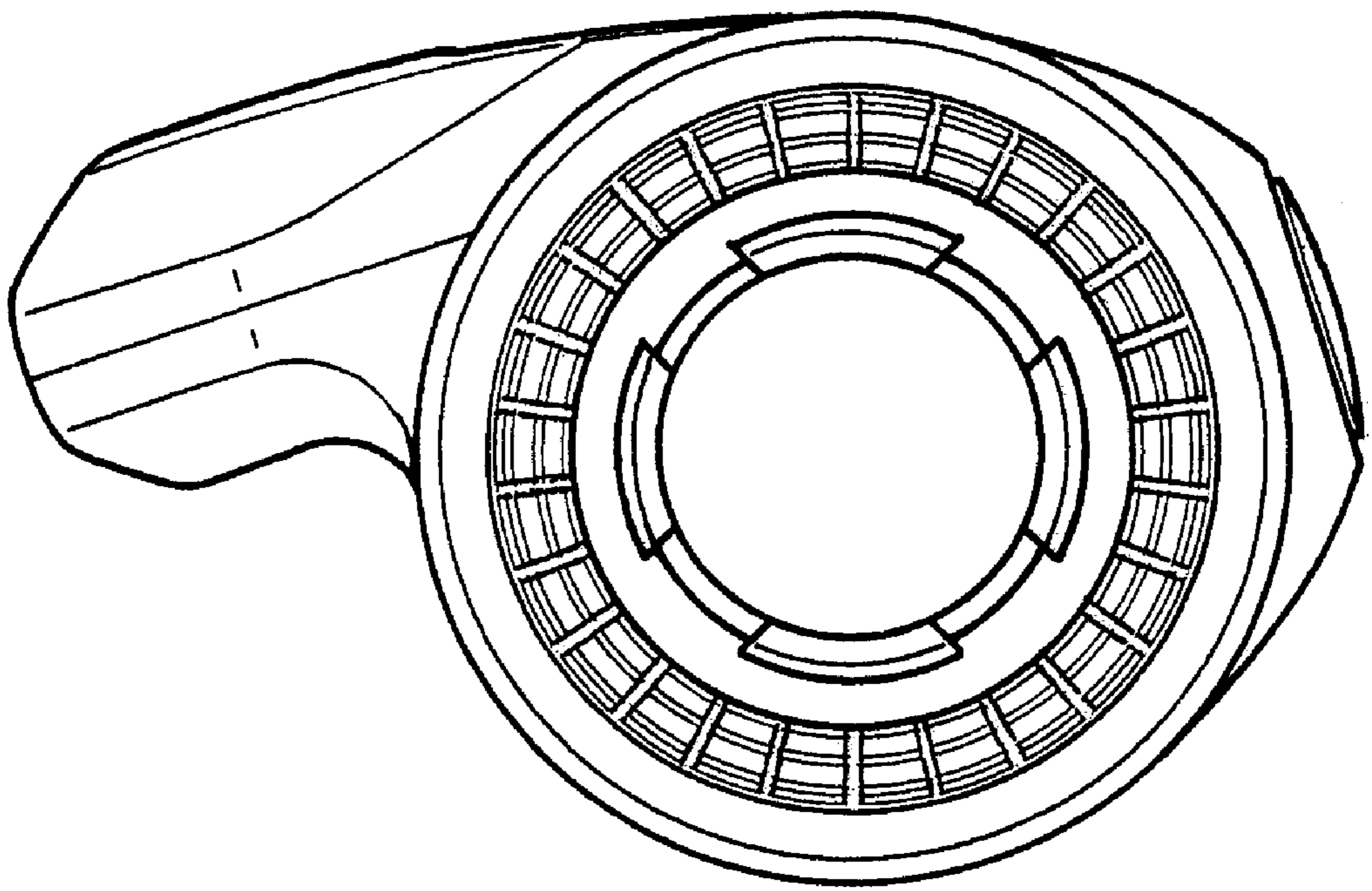


Fig. 4

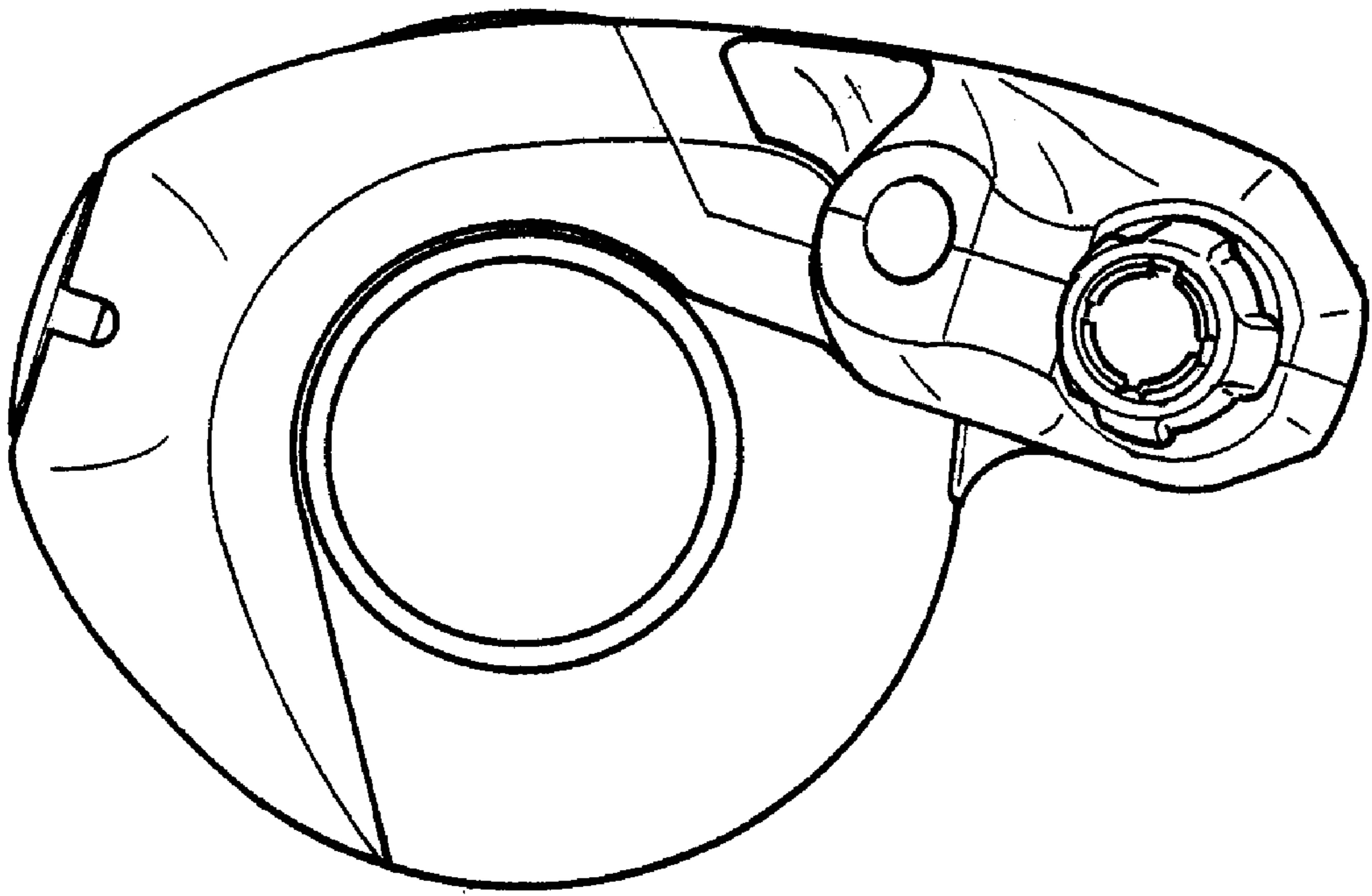


Fig. 5

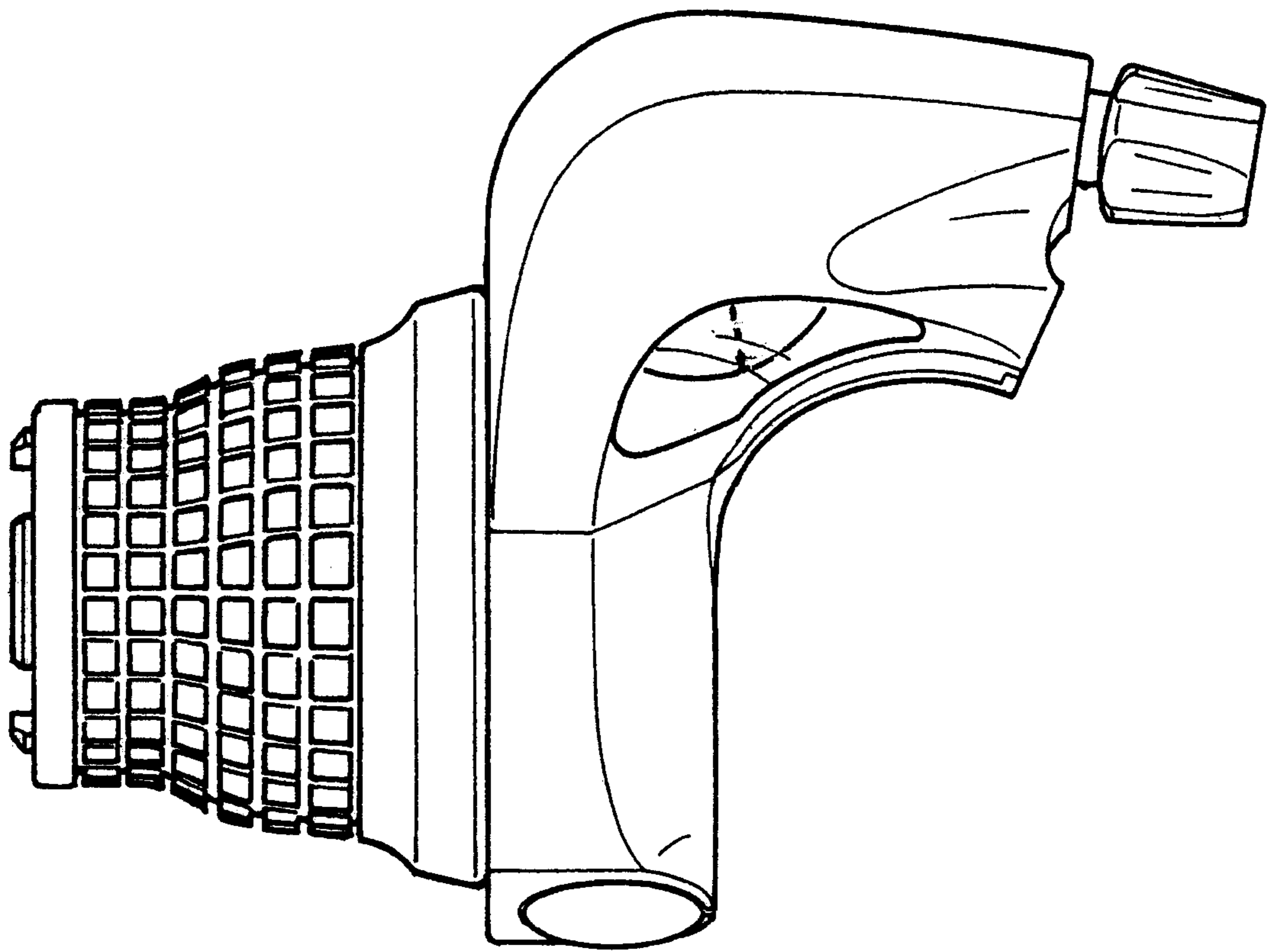


Fig. 6

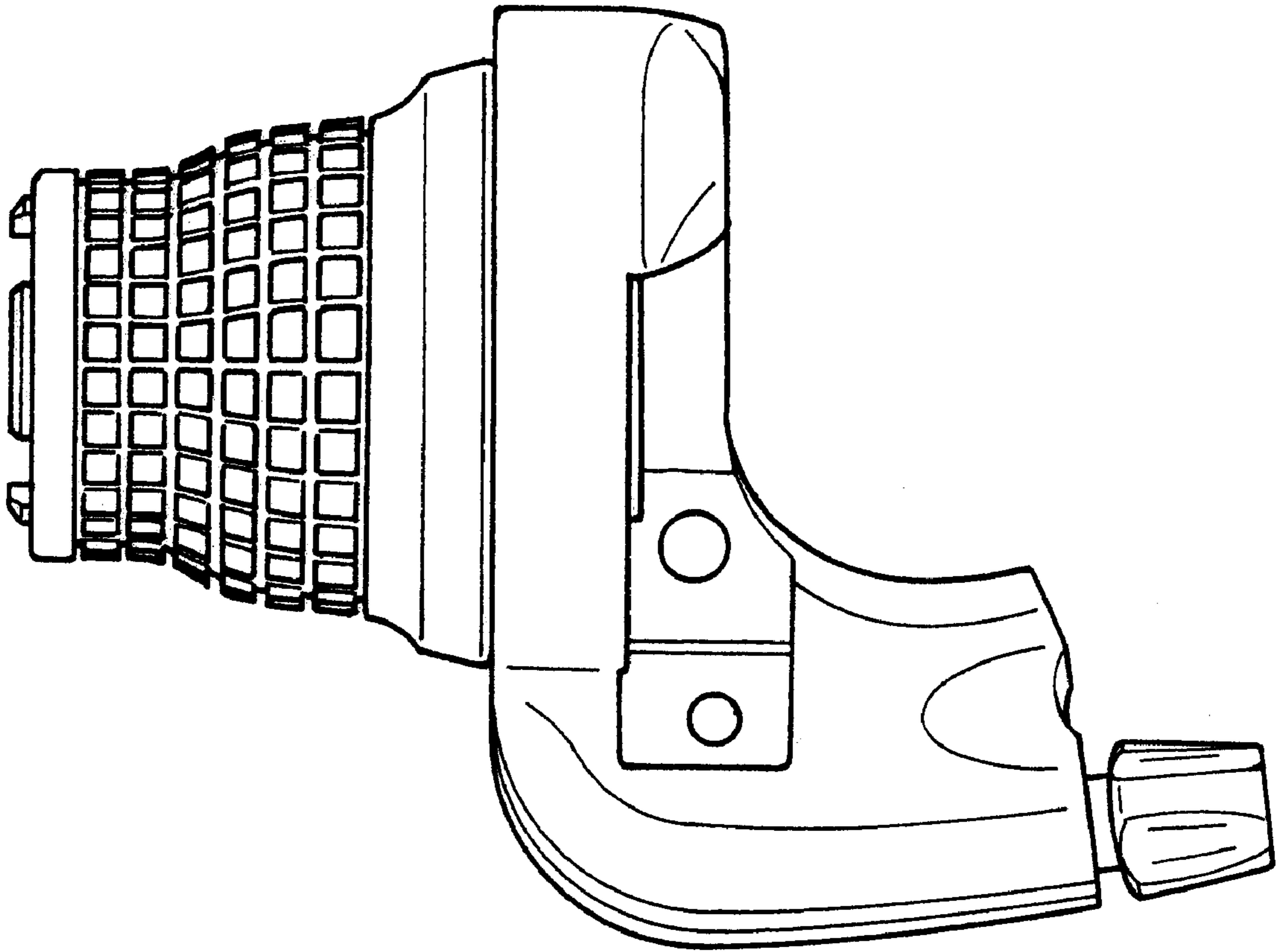


Fig. 7