



US00D454097S

(12) **United States Design Patent**  
**Takehara**

(10) **Patent No.:** **US D454,097 S**

(45) **Date of Patent:** **\*\* Mar. 5, 2002**

(54) **BUMPER OF AN AUTOMOBILE**

D444,752 S \* 7/2001 Gabath ..... D12/196

(75) Inventor: **Yoshiyasu Takehara, Wako (JP)**

\* cited by examiner

(73) Assignee: **Honda Giken Kogyo Kabushiki Kaisha, Tokyo (JP)**

*Primary Examiner*—Melody N. Brown

(74) *Attorney, Agent, or Firm*—Arent Fox Kintner Plotkin & Kahn, PLLC

(\*\*) Term: **14 Years**

(57) **CLAIM**

(21) Appl. No.: **29/136,441**

The ornamental design for a bumper of an automobile, as shown and described.

(22) Filed: **Feb. 1, 2001**

**DESCRIPTION**

(51) **LOC (7) Cl.** ..... **12-16**

(52) **U.S. Cl.** ..... **D12/169**

(58) **Field of Search** ..... D12/169, 196,  
D12/90-92; 293/102, 113, 115, 117, 120;  
296/180.1, 180.2

FIG. 1 is a rear view of a bumper of an automobile showing my new design;

FIG. 2 is a right side view thereof;

FIG. 3 is a left side view thereof;

FIG. 4 is a plan view thereof;

FIG. 5 is a front perspective view thereof; and,

FIG. 6 is a rear perspective view thereof.

The portions of the vehicle shown in broken lines are for illustrative purposes only and form no part of the claimed design.

(56) **References Cited**

**U.S. PATENT DOCUMENTS**

- D421,949 S \* 3/2000 Shimazu ..... D12/196
- D429,677 S \* 8/2000 Hayashi ..... D12/196
- D432,066 S \* 10/2000 Toyoda ..... D12/196

**1 Claim, 6 Drawing Sheets**

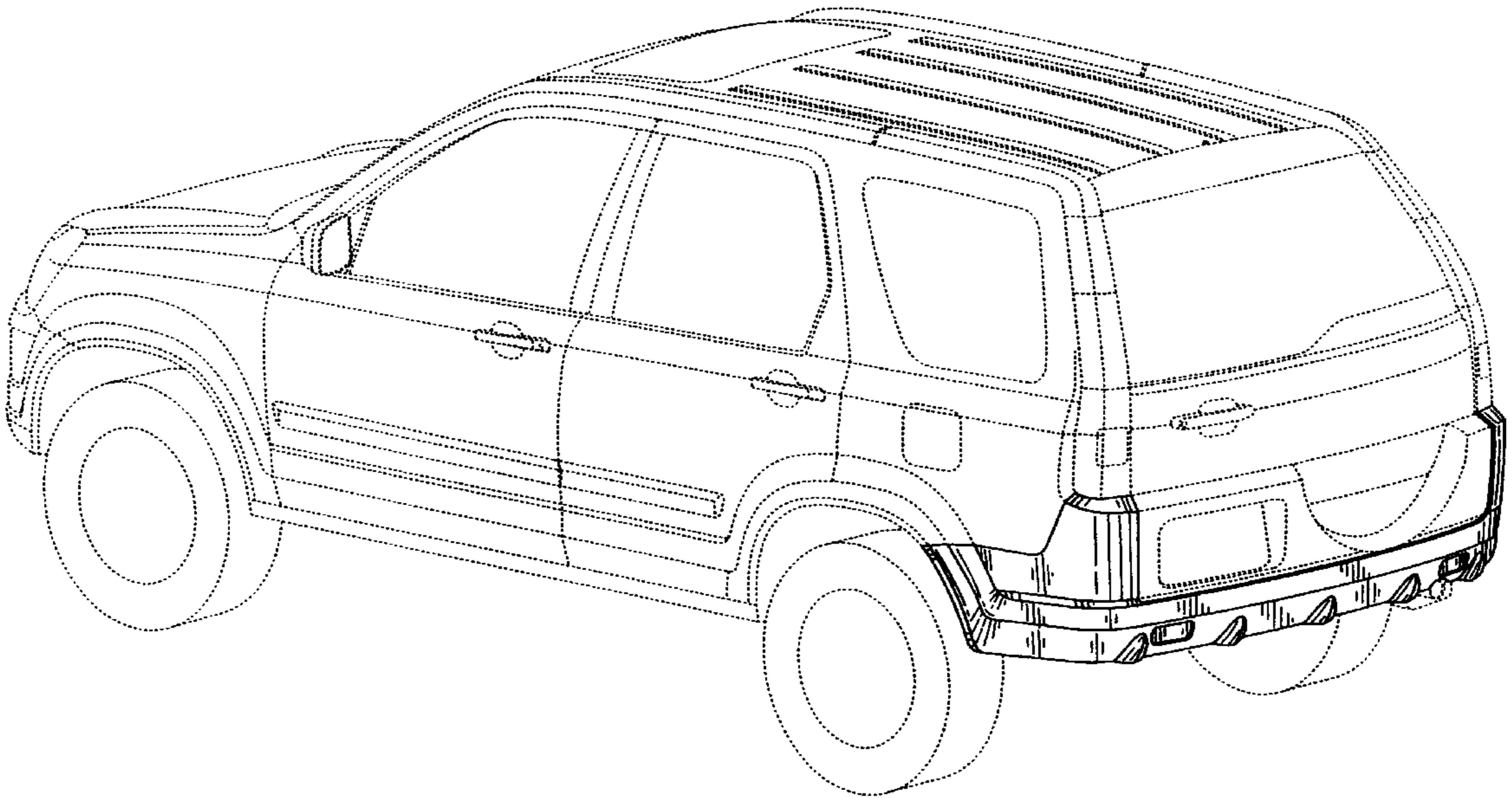


FIG.1

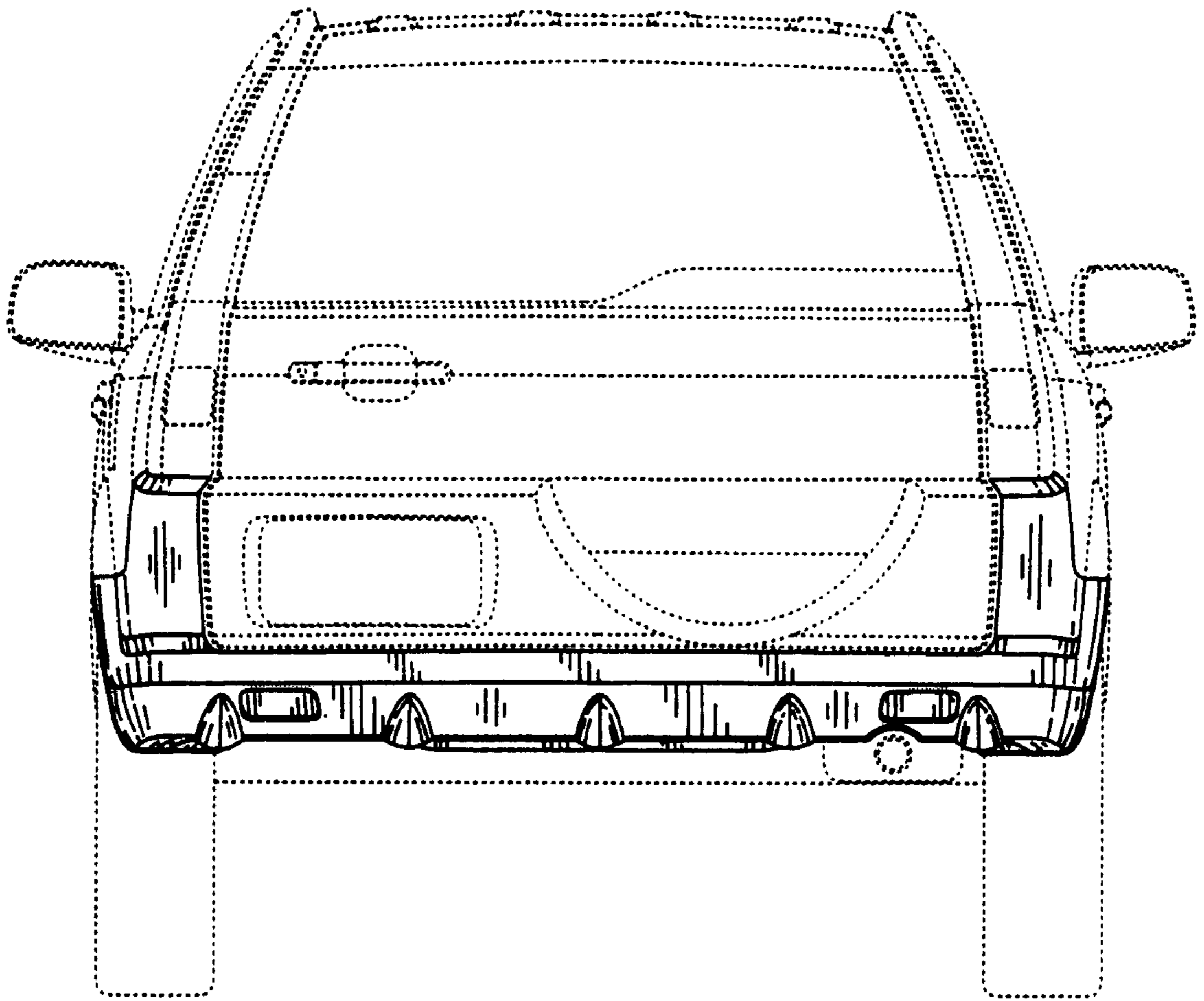


FIG. 2

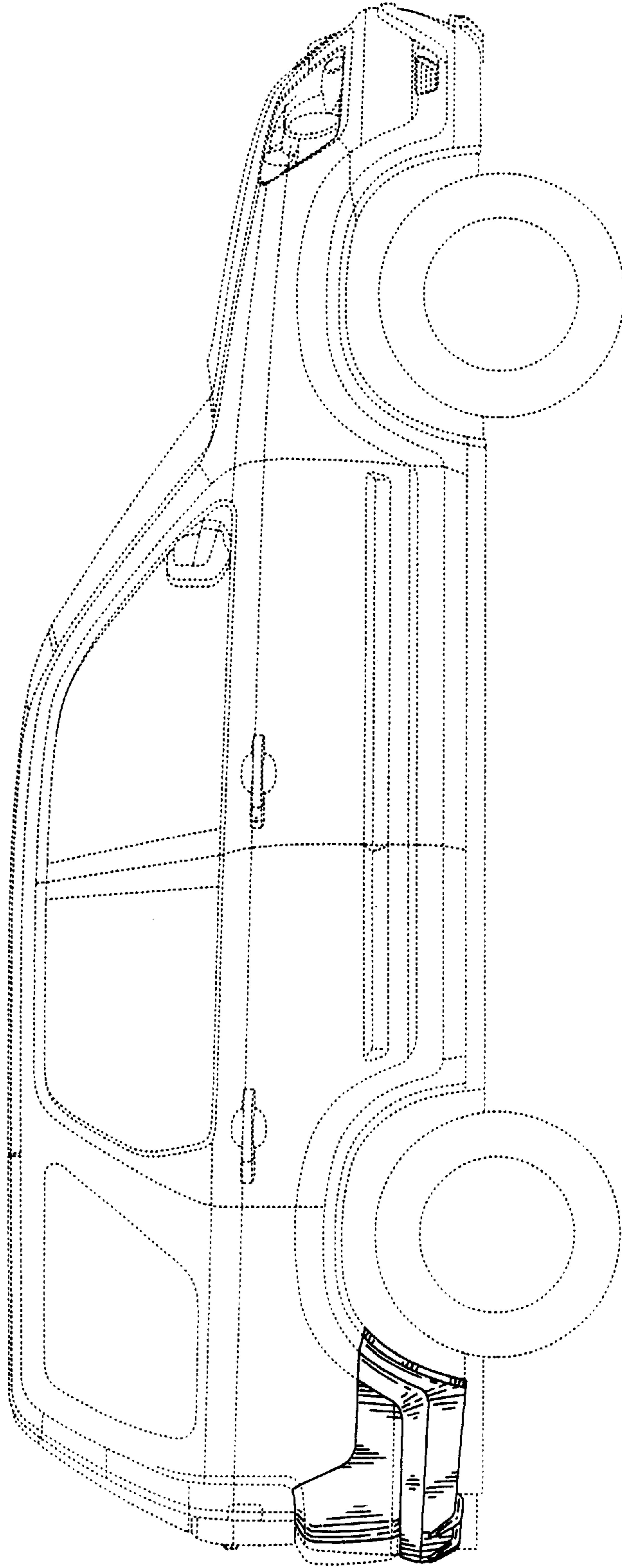


FIG.3

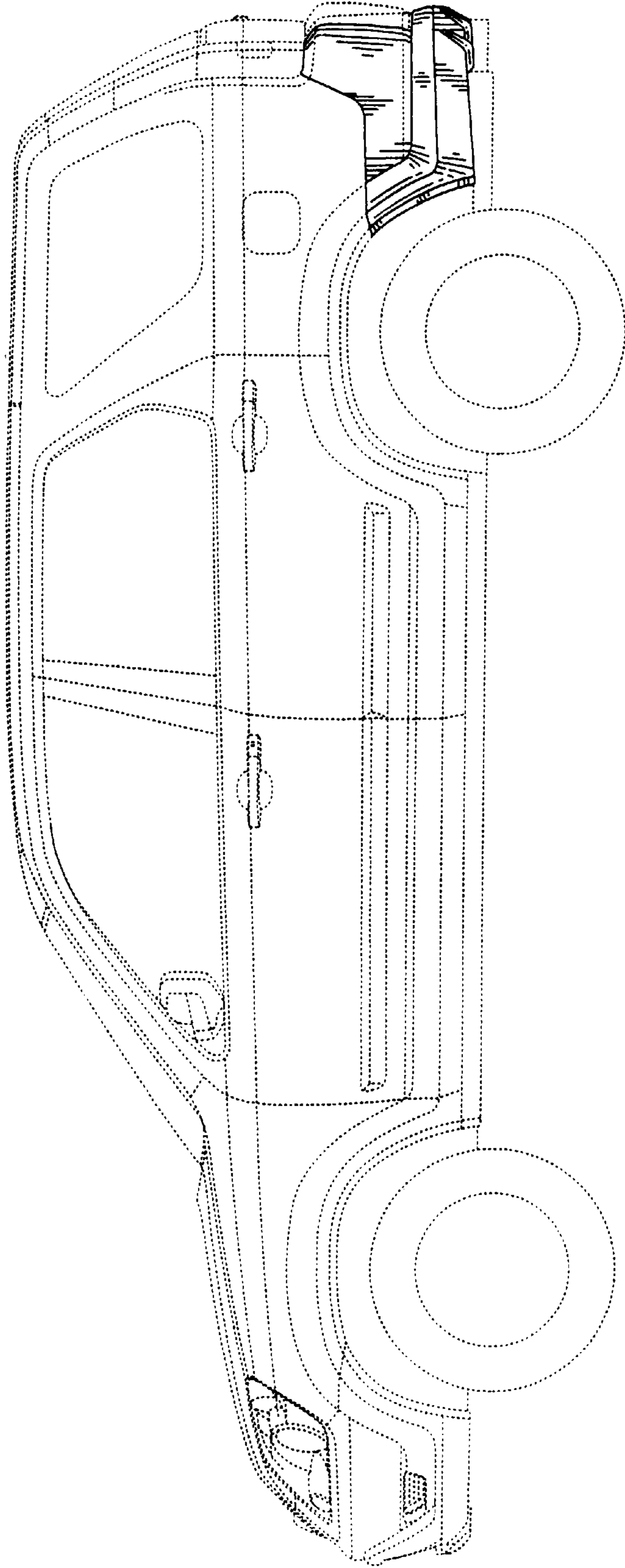
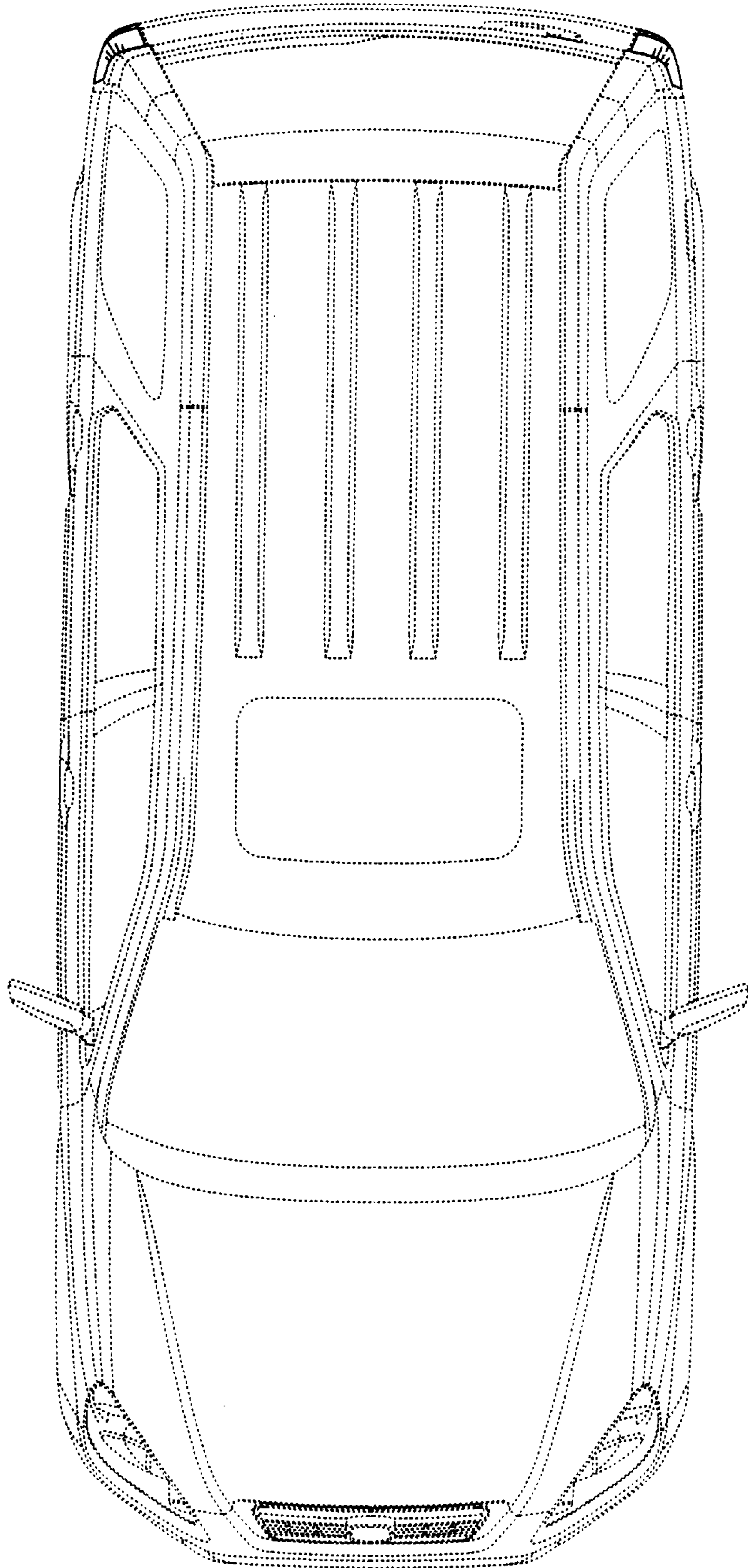


FIG.4



**FIG.5**

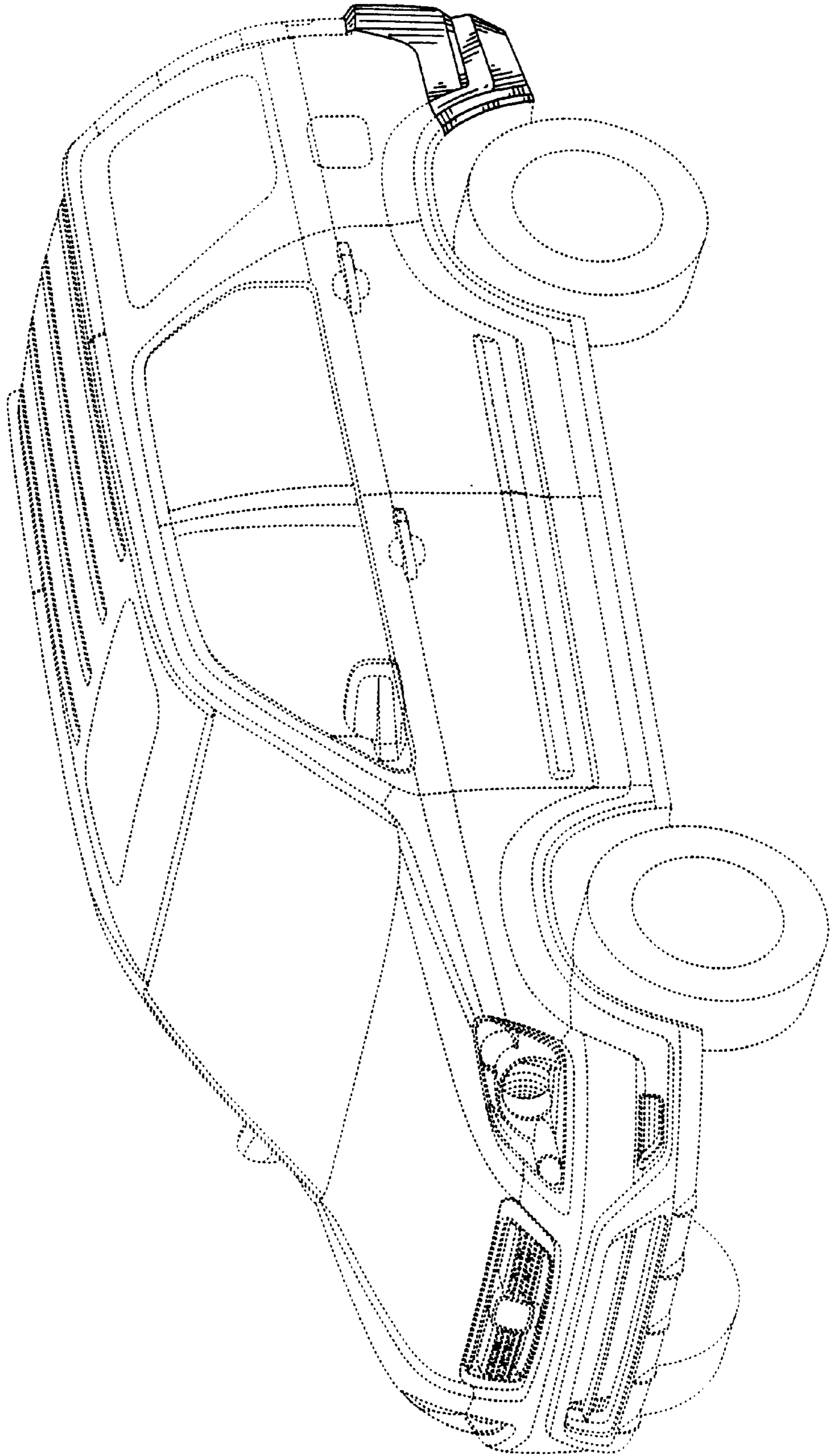


FIG.6

