



US00D454094S

(12) **United States Design Patent**
Miwa et al.

(10) **Patent No.:** **US D454,094 S**

(45) **Date of Patent:** **** Mar. 5, 2002**

(54) **MOTORCYCLE**

(75) Inventors: **Koji Miwa**, Rancho Palos Verdes; **Asao Itaya**, Gardena; **Yasuhisa Ishikawa**, West Covina, all of CA (US)

(73) Assignee: **Honda Giken Kogyo Kabushiki Kaisha**, Tokyo (JP)

(**) Term: **14 Years**

(21) Appl. No.: **29/140,415**

(22) Filed: **Apr. 18, 2001**

(51) **LOC (7) Cl.** **12-11**

(52) **U.S. Cl.** **D12/110**

(58) **Field of Search** **D12/110; 180/219**

(56) **References Cited**

U.S. PATENT DOCUMENTS

D375,281 S * 11/1996 Kitagawa et al. D12/110

* cited by examiner

Primary Examiner—Alan P. Douglas

Assistant Examiner—Linda Brooks

(74) *Attorney, Agent, or Firm*—Banner & Witcoff, Ltd.

(57) **CLAIM**

The ornamental design for a motorcycle, as shown and described.

DESCRIPTION

FIG. 1 is a frontal perspective view of a motorcycle showing our new design;

FIG. 2 is a rear perspective view thereof;

FIG. 3 is a side elevational view of one side thereof;

FIG. 4 is a side elevational view of the other side thereof;

FIG. 5 is a front elevational view thereof;

FIG. 6 is a rear elevational view thereof; and,

FIG. 7 is a top plan view thereof.

The broken line showing of the wheels, tires, rear view mirror, pedals, brake levers and kick stand is for illustrative purposes only and forms no part of the claimed design. The unillustrated bottom view forms no part of the claimed design.

1 Claim, 6 Drawing Sheets

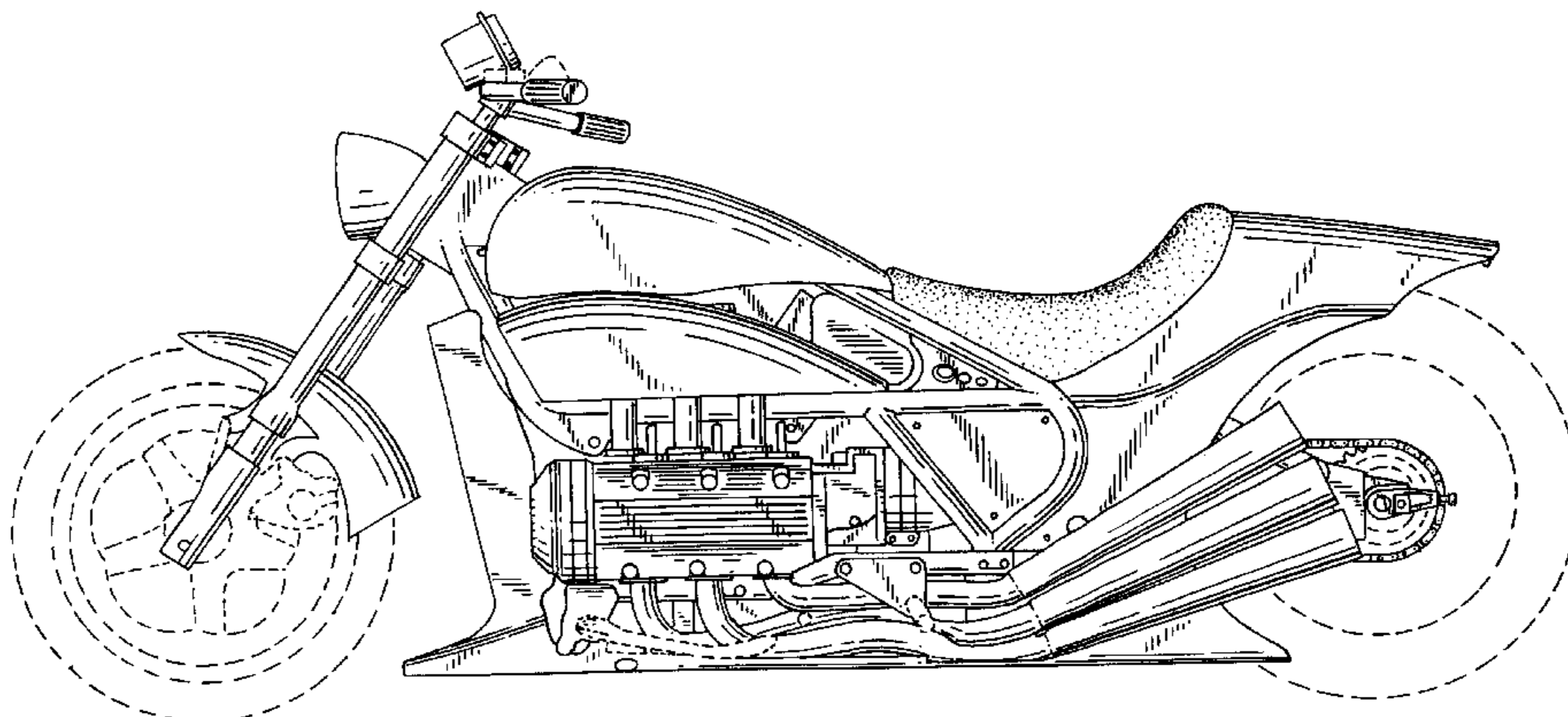
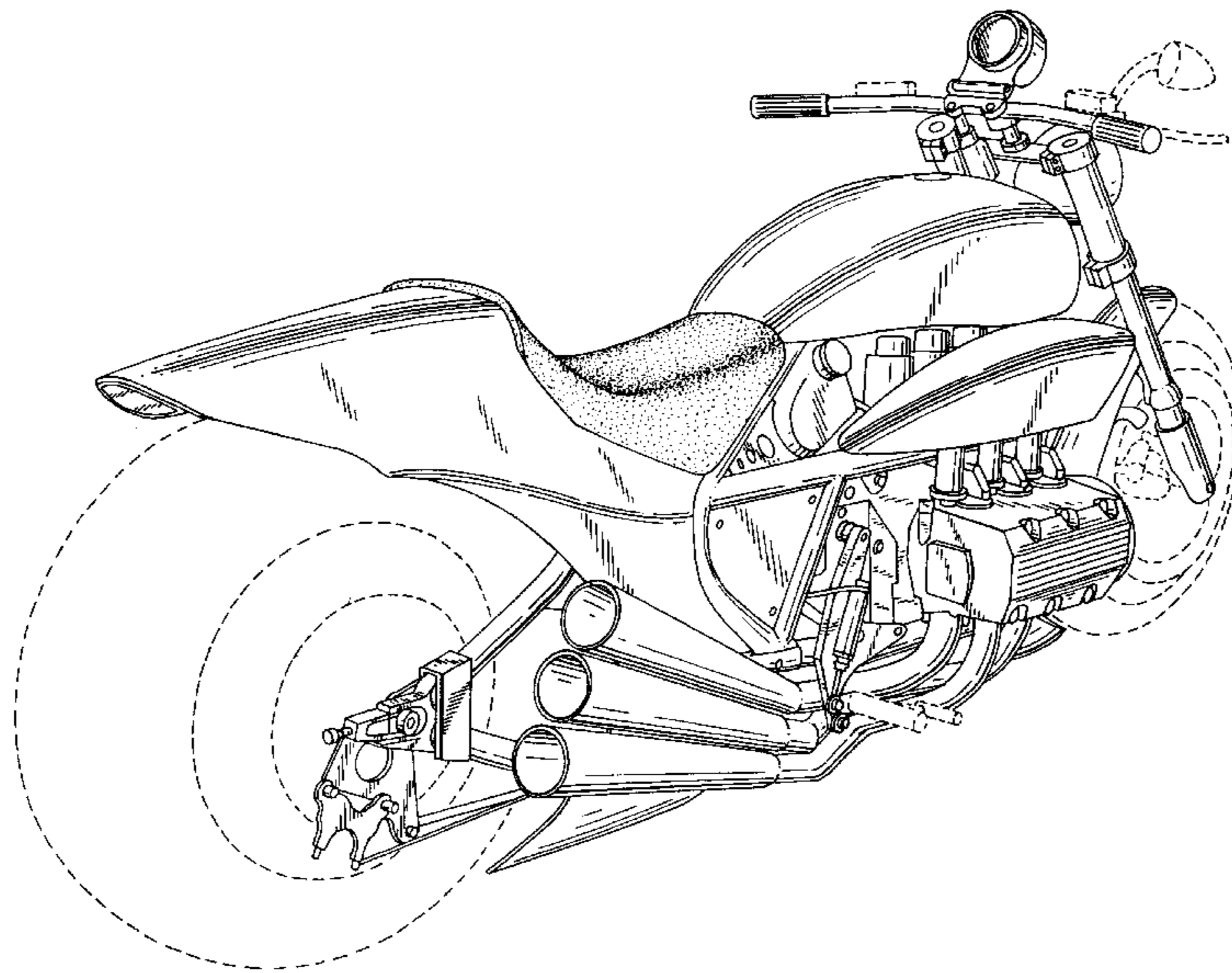
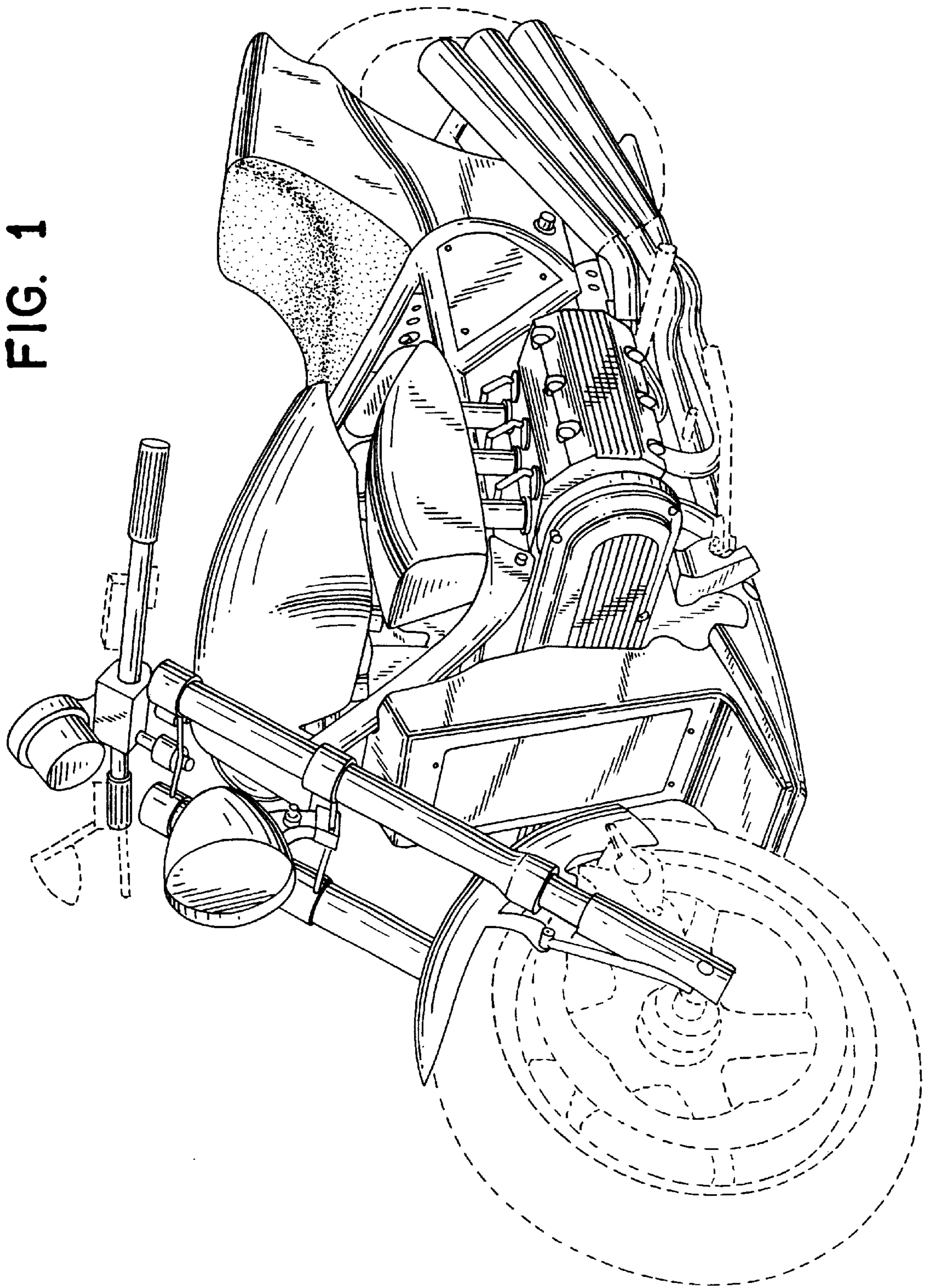


FIG. 1



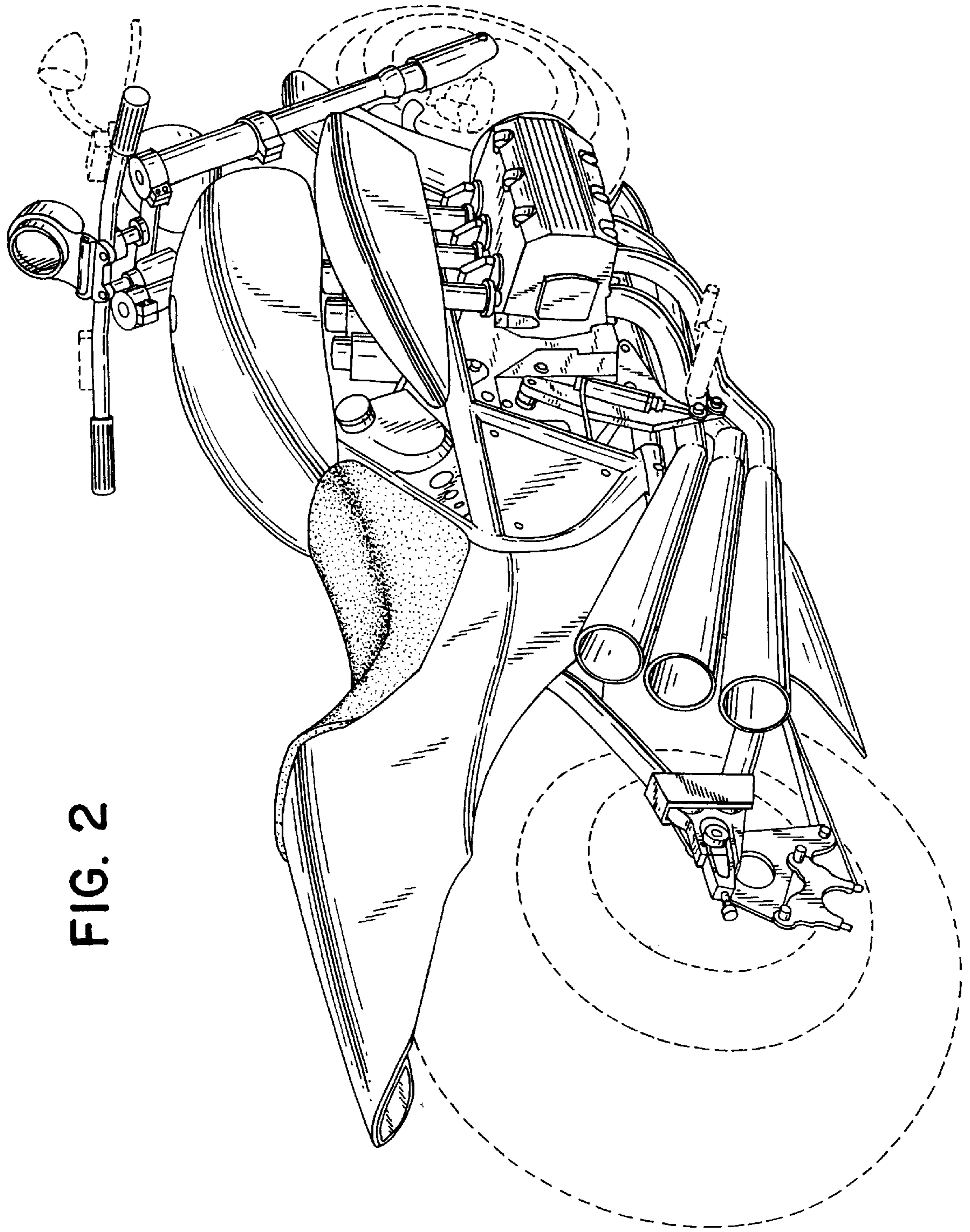


FIG. 2

FIG. 3

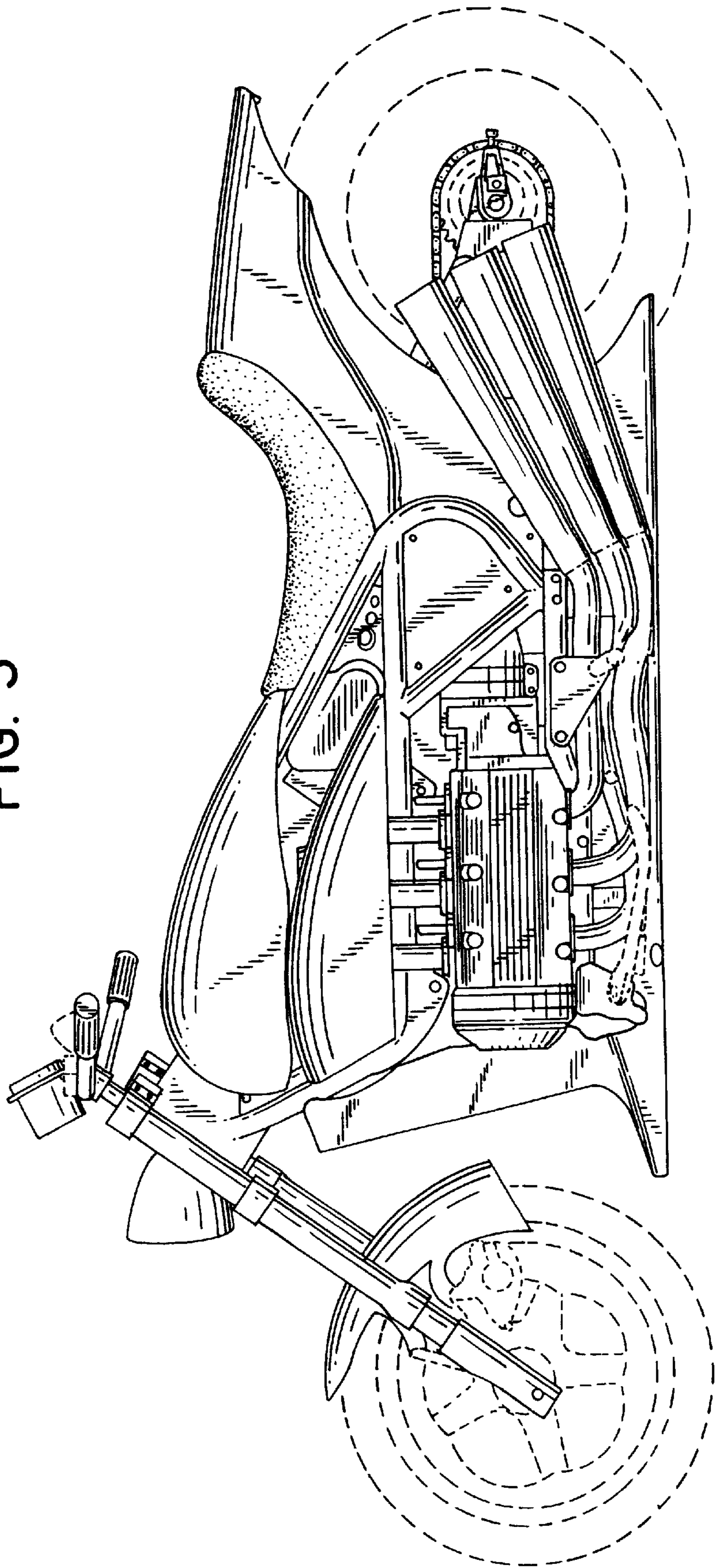


FIG. 4

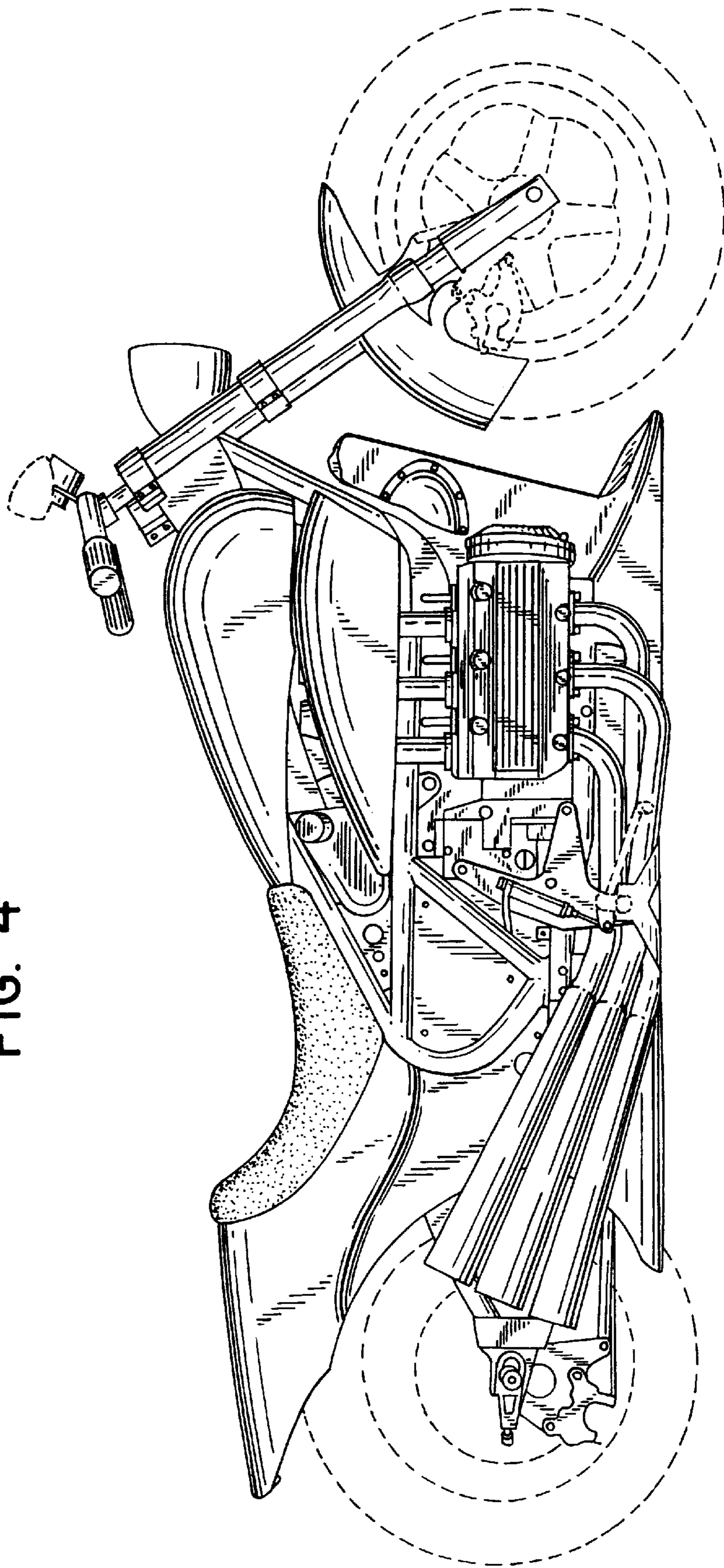


FIG. 6

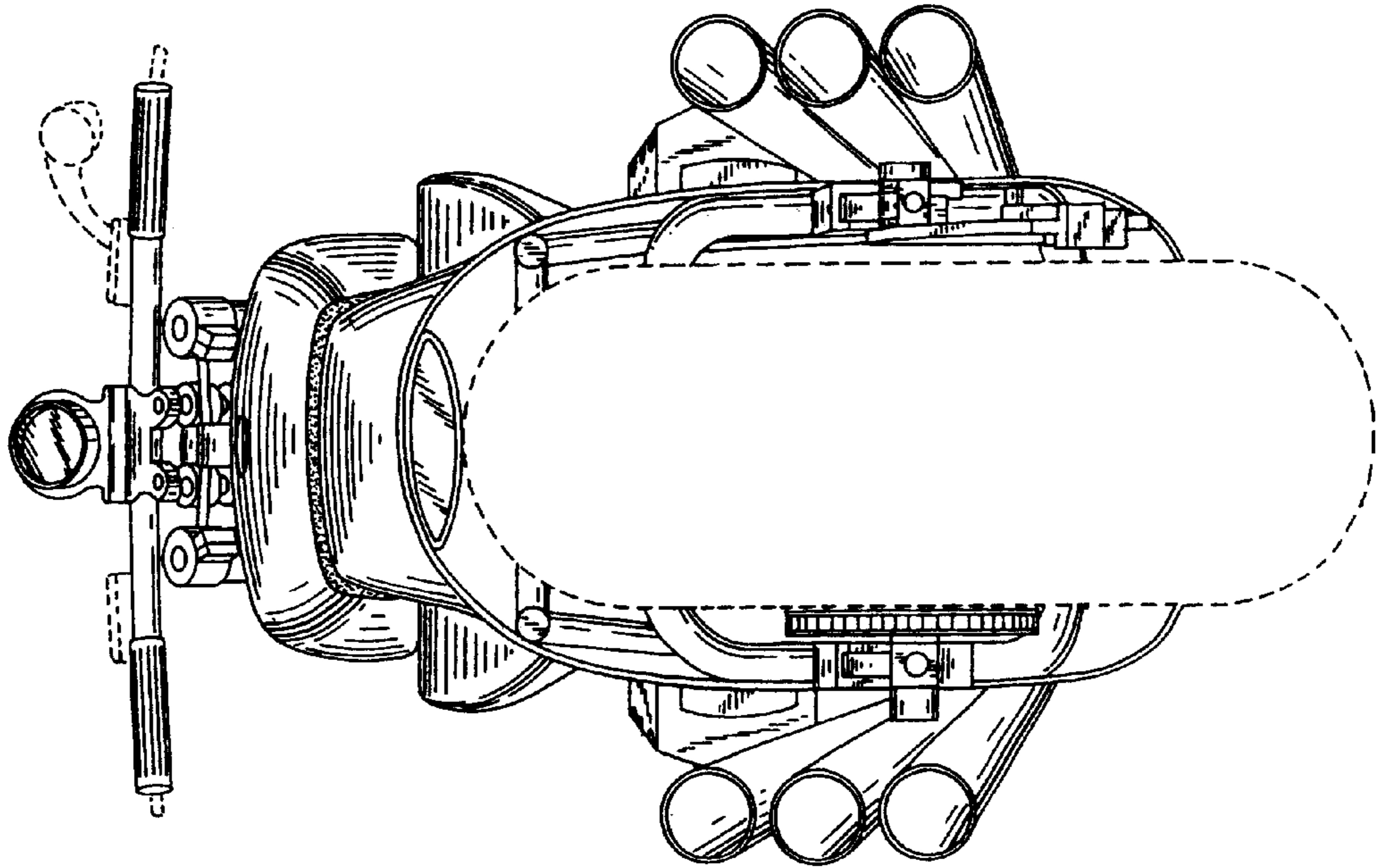


FIG. 5

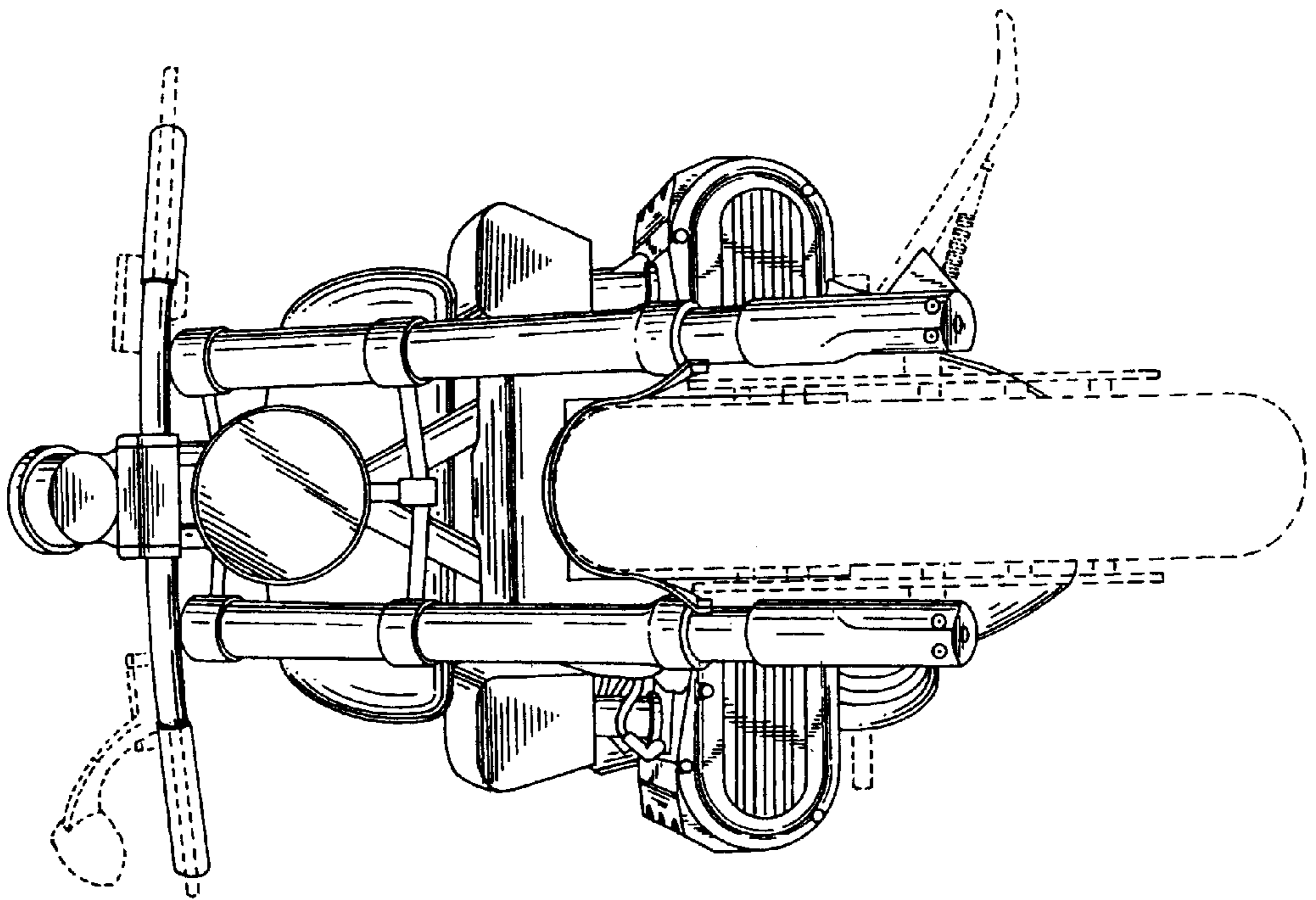


FIG. 7

