



US00D454093S

(12) **United States Design Patent**
Schlatter et al.

(10) **Patent No.:** **US D454,093 S**

(45) **Date of Patent:** **** Mar. 5, 2002**

(54) **BELT BUCKLE**

D348,420 S * 7/1994 Edsall D11/218
D360,168 S * 7/1995 Kelleghan D11/216

(76) Inventors: **Patrick Schlatter; Pius Schlatter**, both
of Reinertstrasse 13, CH-4515 Oberdorf
(CH)

* cited by examiner

(**) Term: **14 Years**

Primary Examiner—Ralf Seifert
(74) *Attorney, Agent, or Firm*—Myron Amer P.C.

(21) Appl. No.: **29/134,260**

(57) **CLAIM**

(22) Filed: **Dec. 19, 2000**

The ornamental design for belt buckle, as shown and
described.

(51) **LOC (7) Cl.** **02-07**

DESCRIPTION

(52) **U.S. Cl.** **D11/216**

FIG. 1 is a perspective view of belt buckle showing our new
design;

(58) **Field of Search** D11/200, 201,
D11/216, 218; 24/307, 310, 312, 313, 316,
616, 200, 196, 315, 625

FIG. 2 is a top elevational view thereof;
FIG. 3 is a bottom elevational view thereof;
FIG. 4 is a side elevational view thereof of which the right
side elevational view is a mirror image;
FIG. 5 is a front elevational view thereof; and,
FIG. 6 is a rear view thereof.

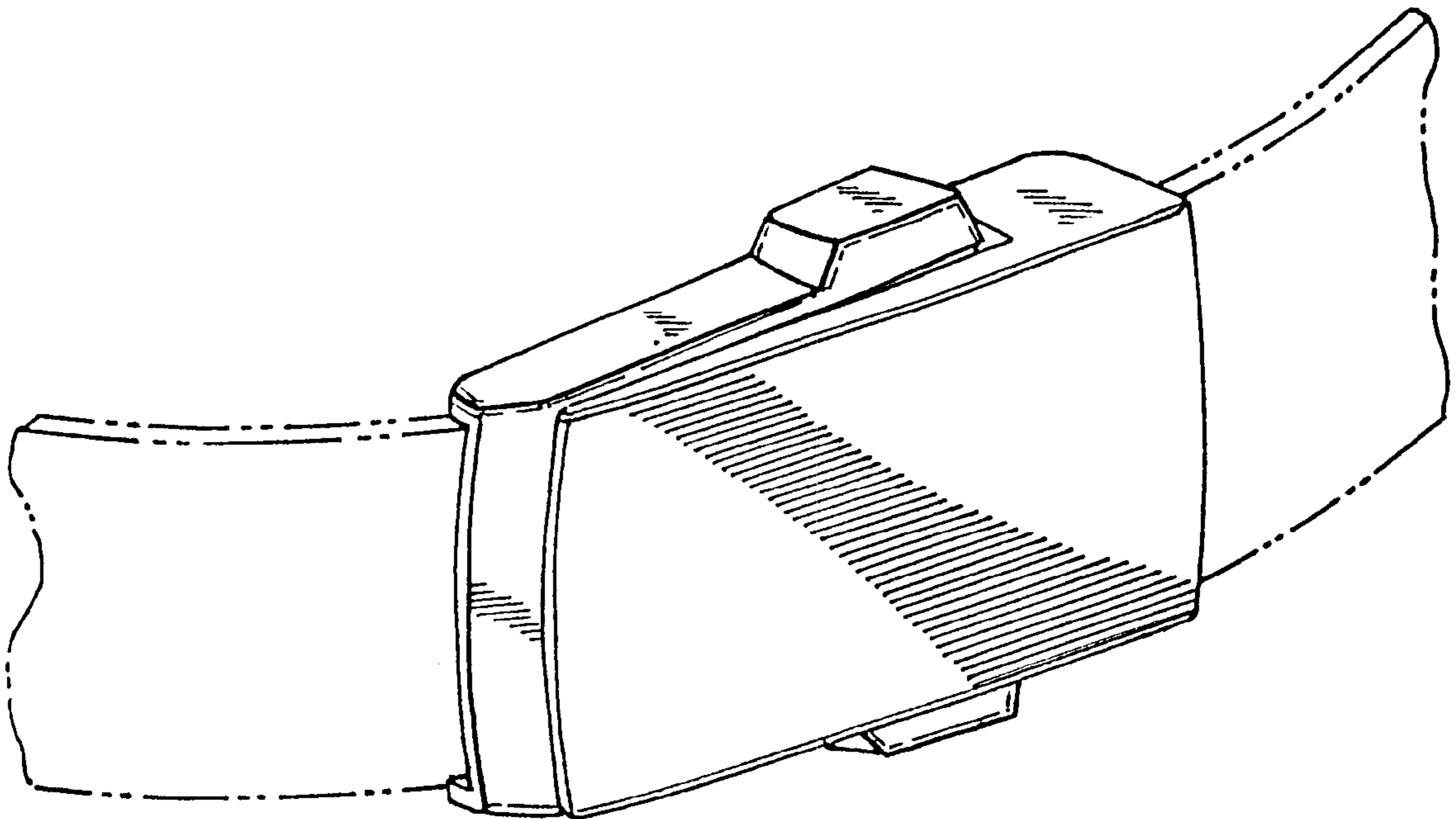
(56) **References Cited**

U.S. PATENT DOCUMENTS

1,278,340 A * 9/1918 Hayden et al. 24/316
3,333,664 A * 8/1967 Hunter D11/216
D287,187 S * 12/1986 Olson D11/218
D332,585 S * 1/1993 Olson D11/201

It being understood that the broken lines are for illustrative
purposes only.

1 Claim, 1 Drawing Sheet



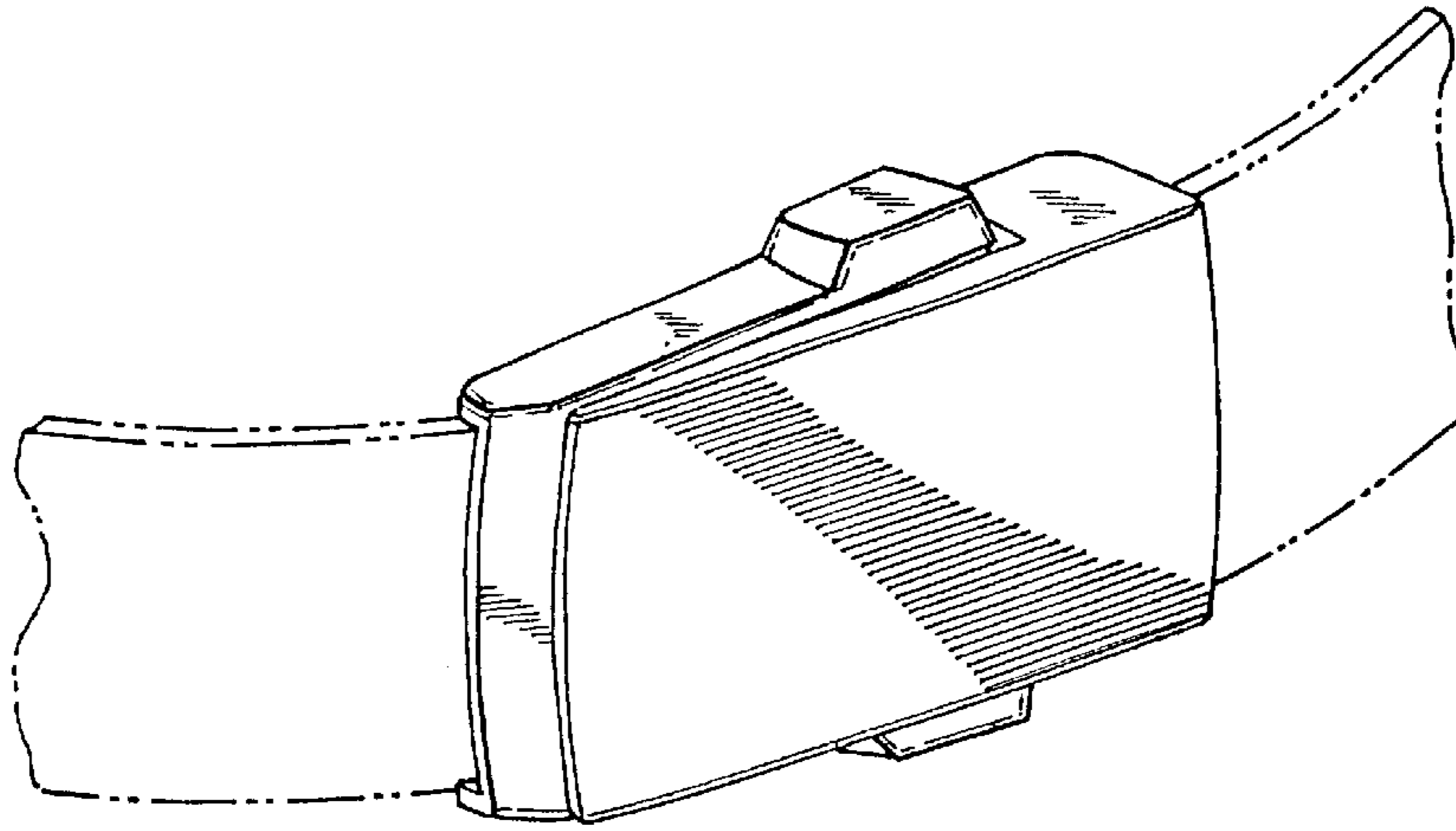


Fig. 1

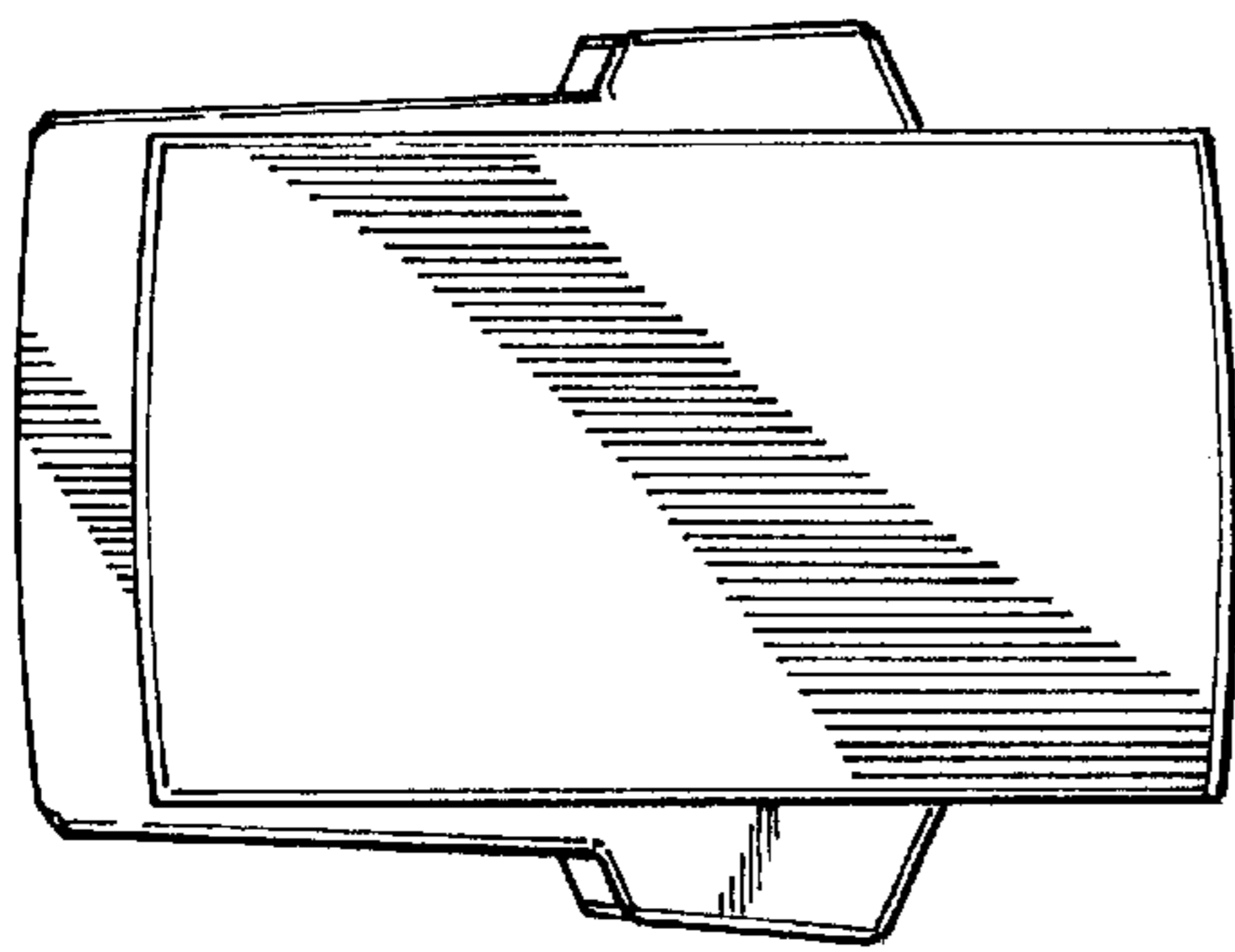


Fig. 2

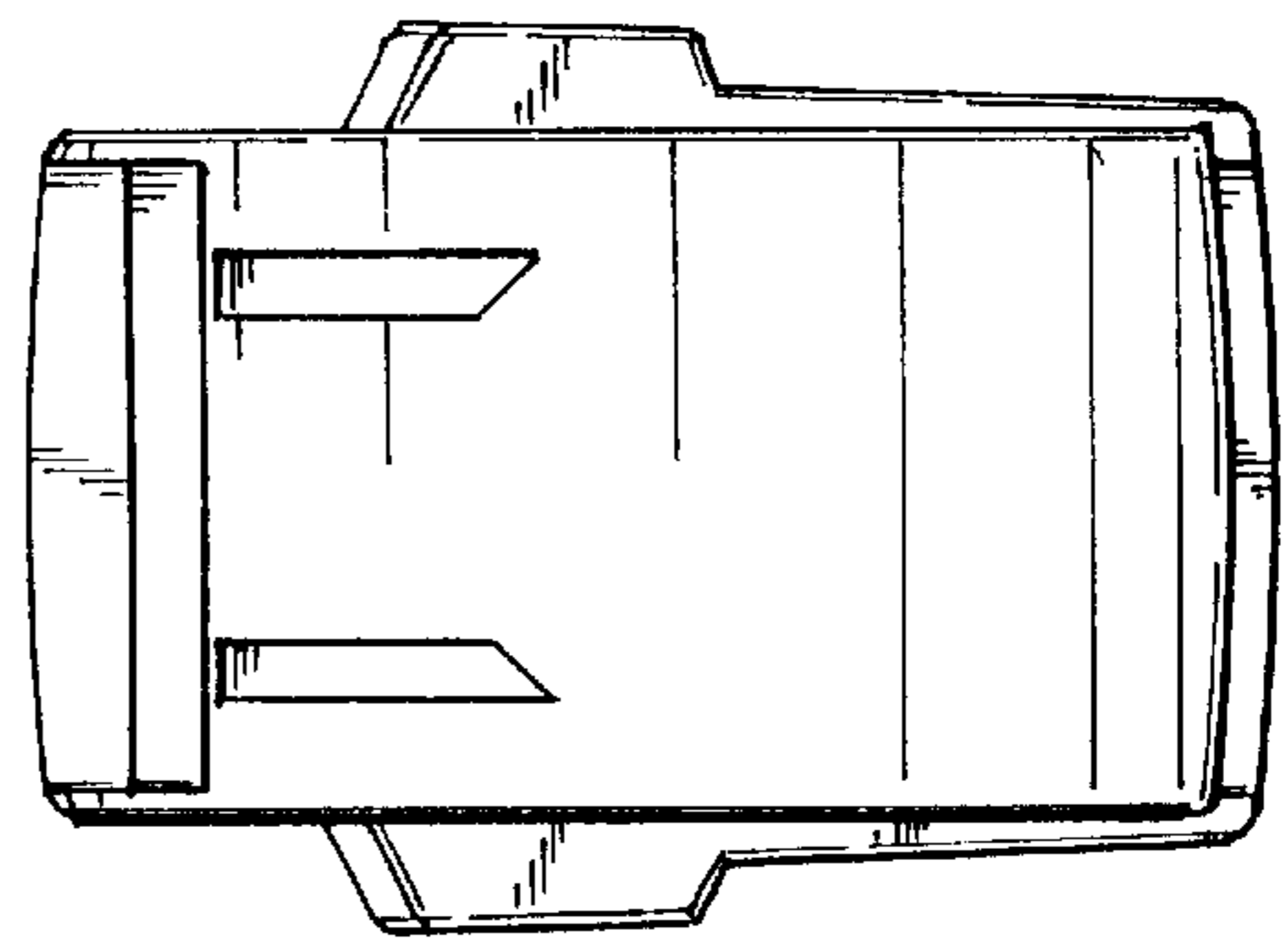


Fig. 3

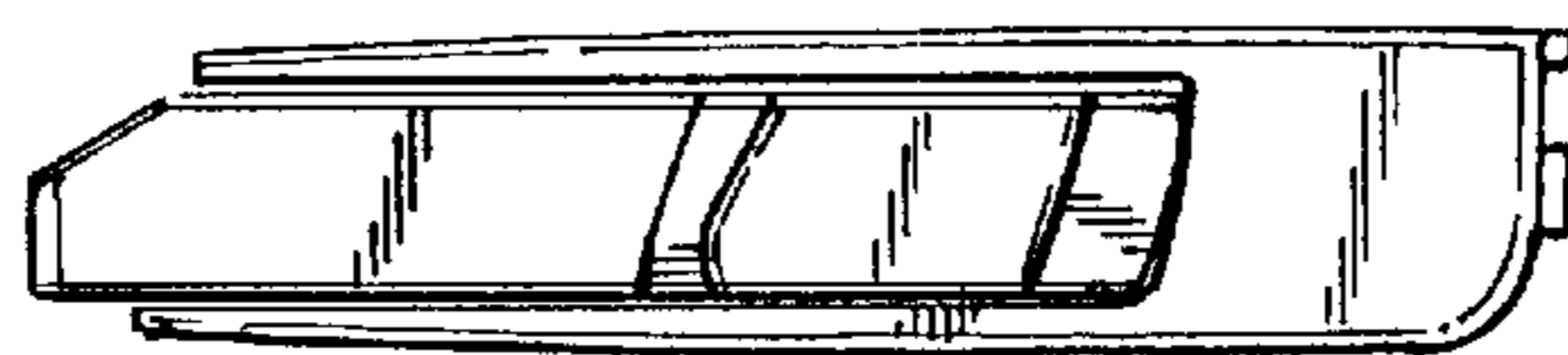


Fig. 4

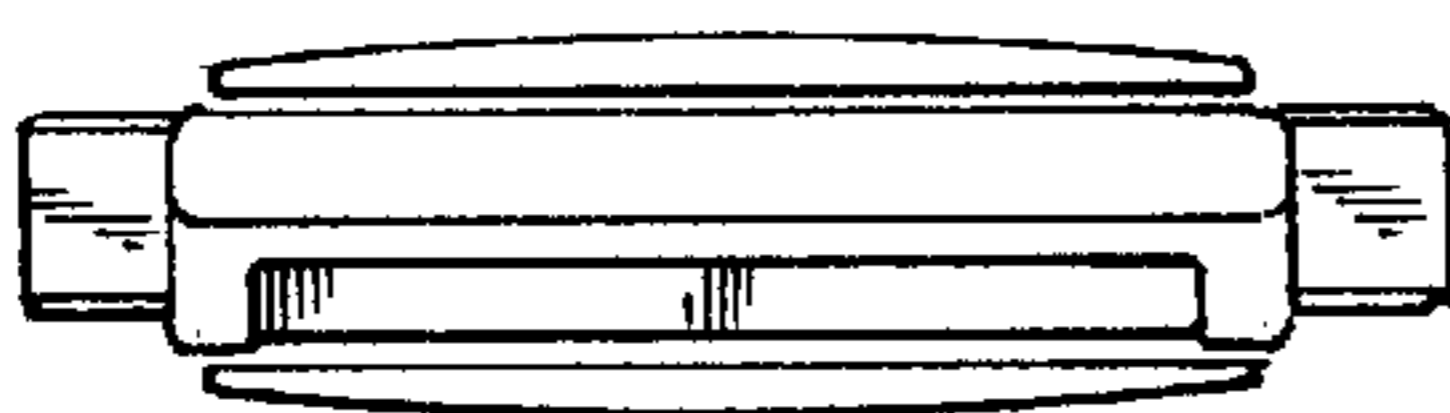


Fig. 5

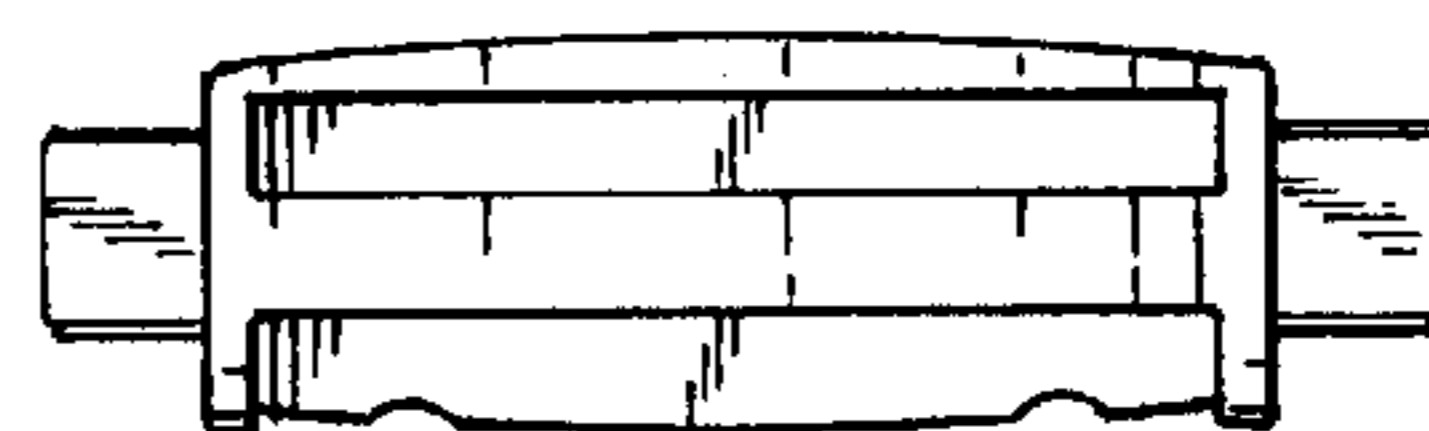


Fig. 6