



US00D454092S

(12) **United States Design Patent**  
**Lindblad**

(10) **Patent No.:** **US D454,092 S**

(45) **Date of Patent:** **\*\* Mar. 5, 2002**

(54) **BUCKLE**

D447,442 S \* 9/2001 Maruoka ..... D11/218

(76) **Inventor:** **Shaun C. Lindblad**, 612 River Birch Pl., Lino Lakes, MN (US) 55014

\* cited by examiner

(\*\*) **Term:** **14 Years**

*Primary Examiner*—Louis S. Zarfes  
*Assistant Examiner*—Barbara Wyatt Crawford  
(74) *Attorney, Agent, or Firm*—Kinney & Lange, P.A.

(21) **Appl. No.:** **29/121,243**

(57) **CLAIM**

(22) **Filed:** **Apr. 4, 2000**

The ornamental design for a buckle, as shown and described.

(51) **LOC (7) Cl.** ..... **02-07**

(52) **U.S. Cl.** ..... **D11/200**

(58) **Field of Search** ..... D11/200–220,  
D11/95, 218; 24/616, 625, 633, 630, 163 R,  
650; D2/627–629, 639; D8/383

**DESCRIPTION**

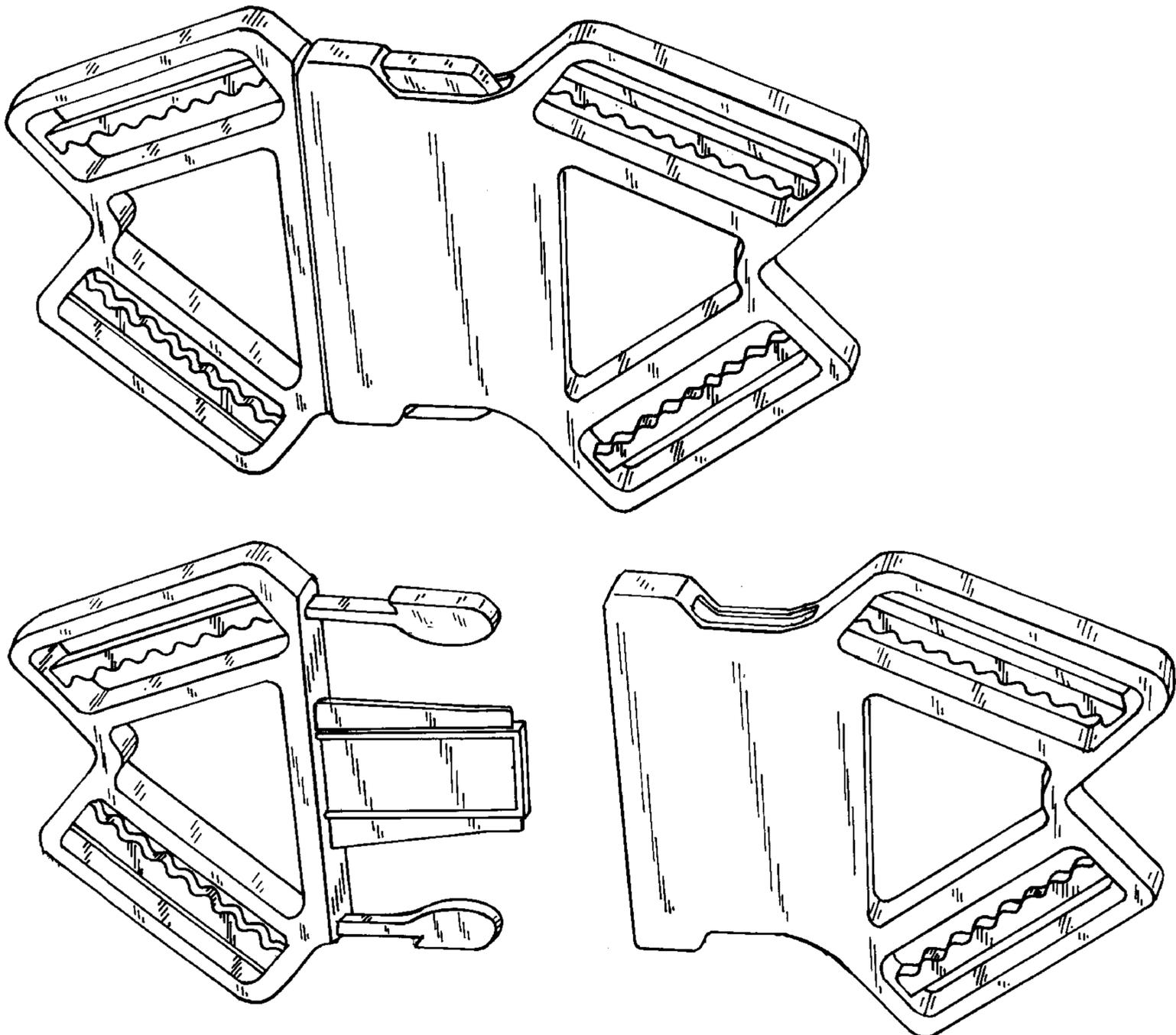
FIG. 1 is front perspective view of the buckle design of the present invention;  
FIG. 2 is rear perspective view thereof;  
FIG. 3 is a front view thereof;  
FIG. 4 is a rearview thereof;  
FIG. 5 is a left side view thereof;  
FIG. 6 is a right side view thereof;  
FIG. 7 is a top view thereof;  
FIG. 8 is a bottom view thereof; and,  
FIG. 9 is a front perspective view showing the two halves of the buckle apart.

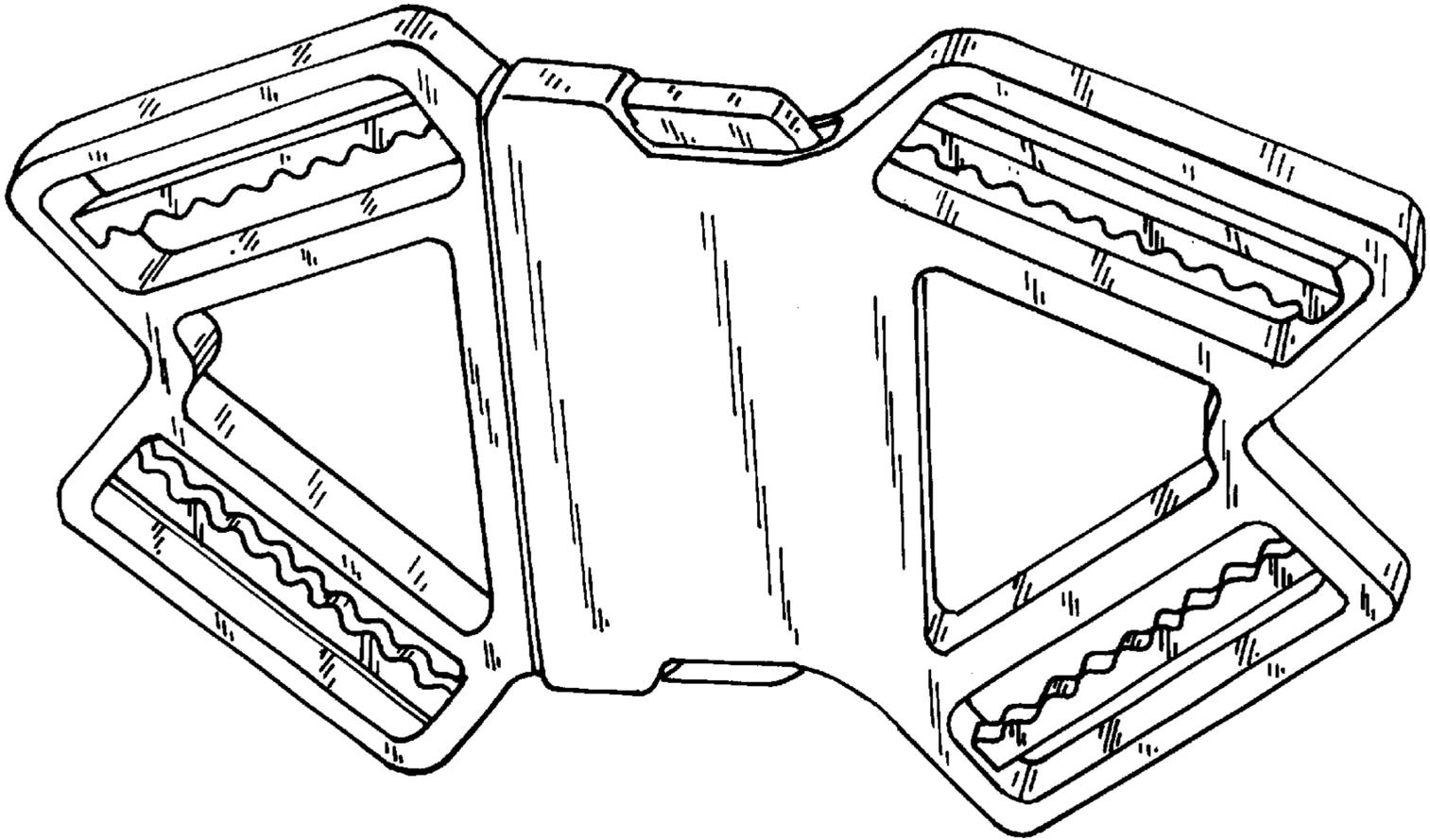
(56) **References Cited**

**U.S. PATENT DOCUMENTS**

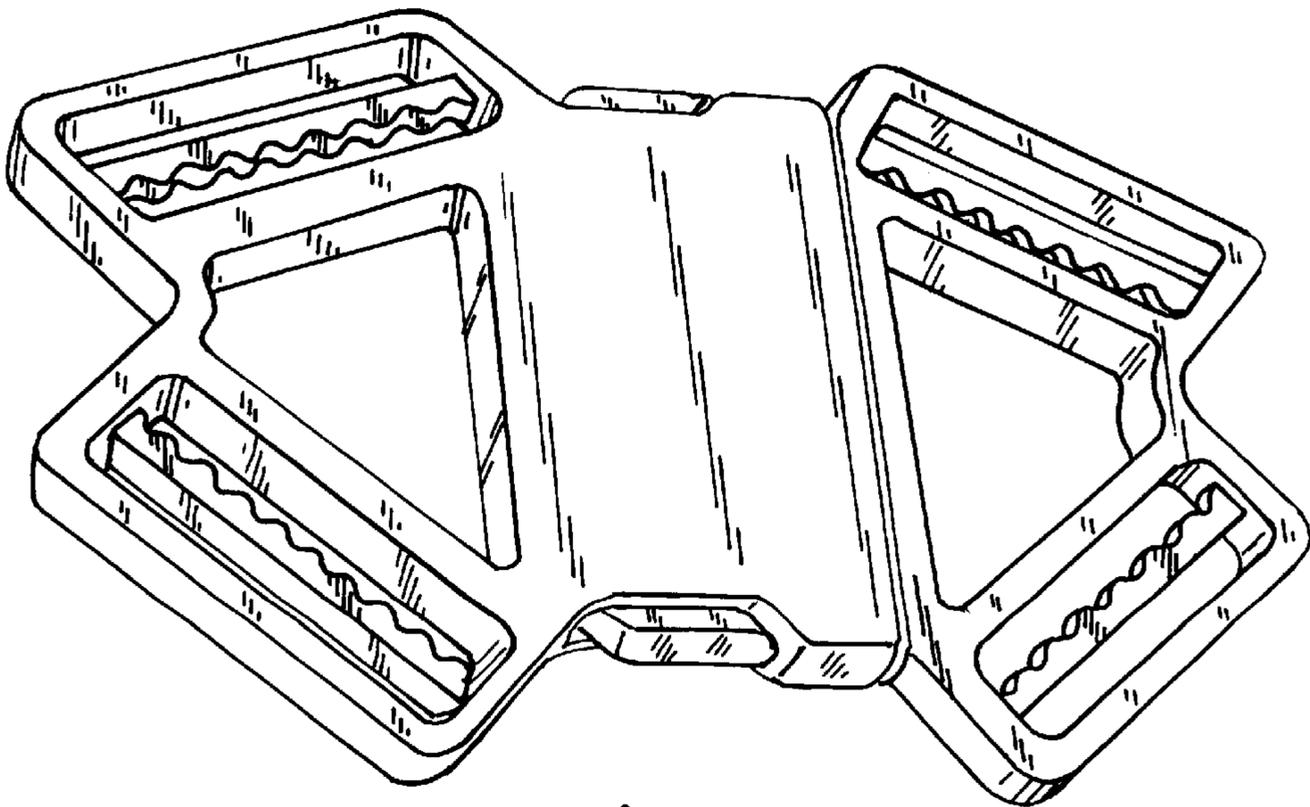
4,712,280	A	*	12/1987	Fildan	.....	24/633
D318,438	S	*	7/1991	Lier	.....	D11/95
5,383,257	A	*	1/1995	Krauss	.....	24/633
5,774,956	A	*	7/1998	French et al.	.....	24/633
5,996,192	A	*	12/1999	Haines	.....	24/630
6,263,548	B1	*	7/2001	Ikeda	.....	24/633

**1 Claim, 4 Drawing Sheets**

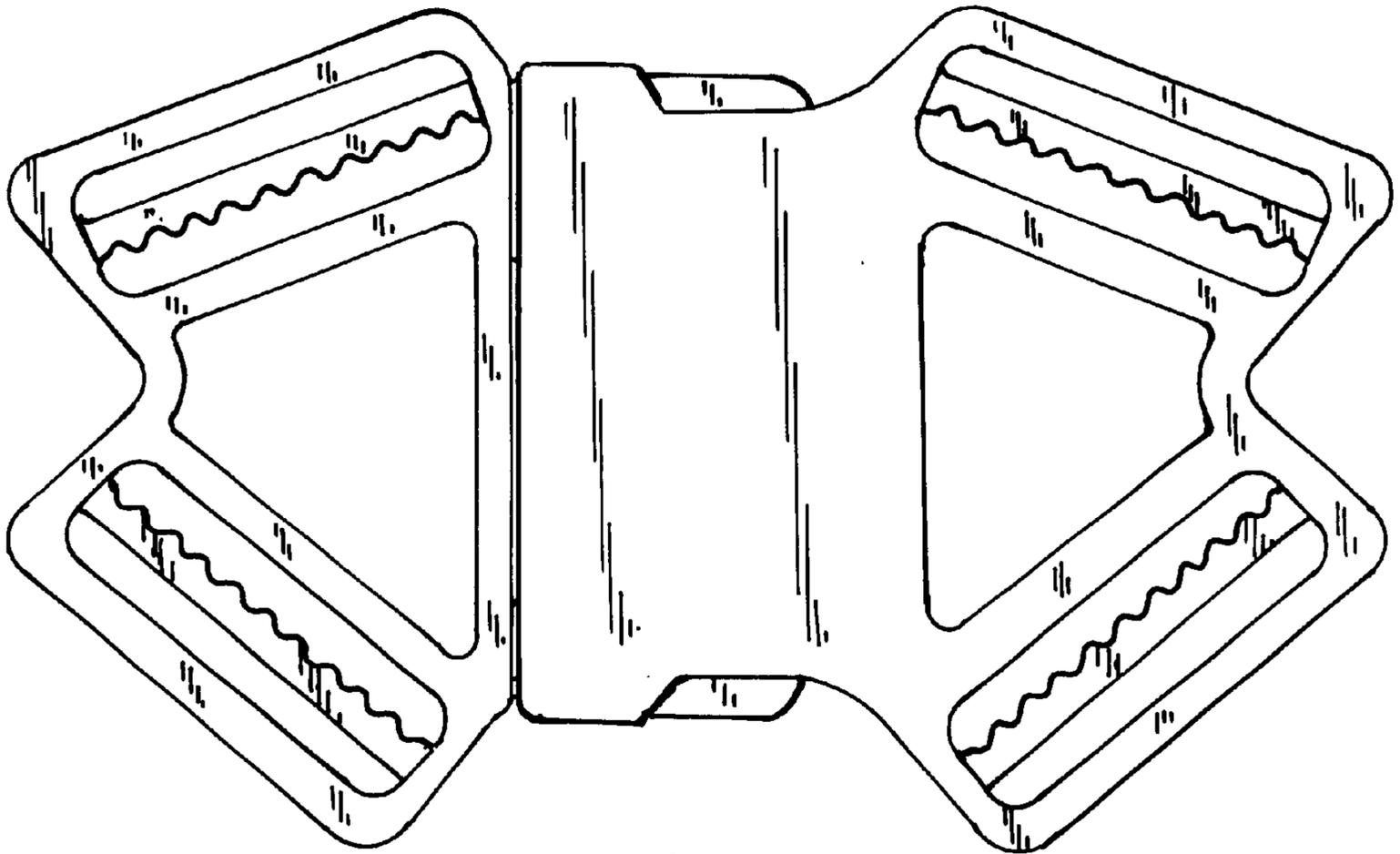




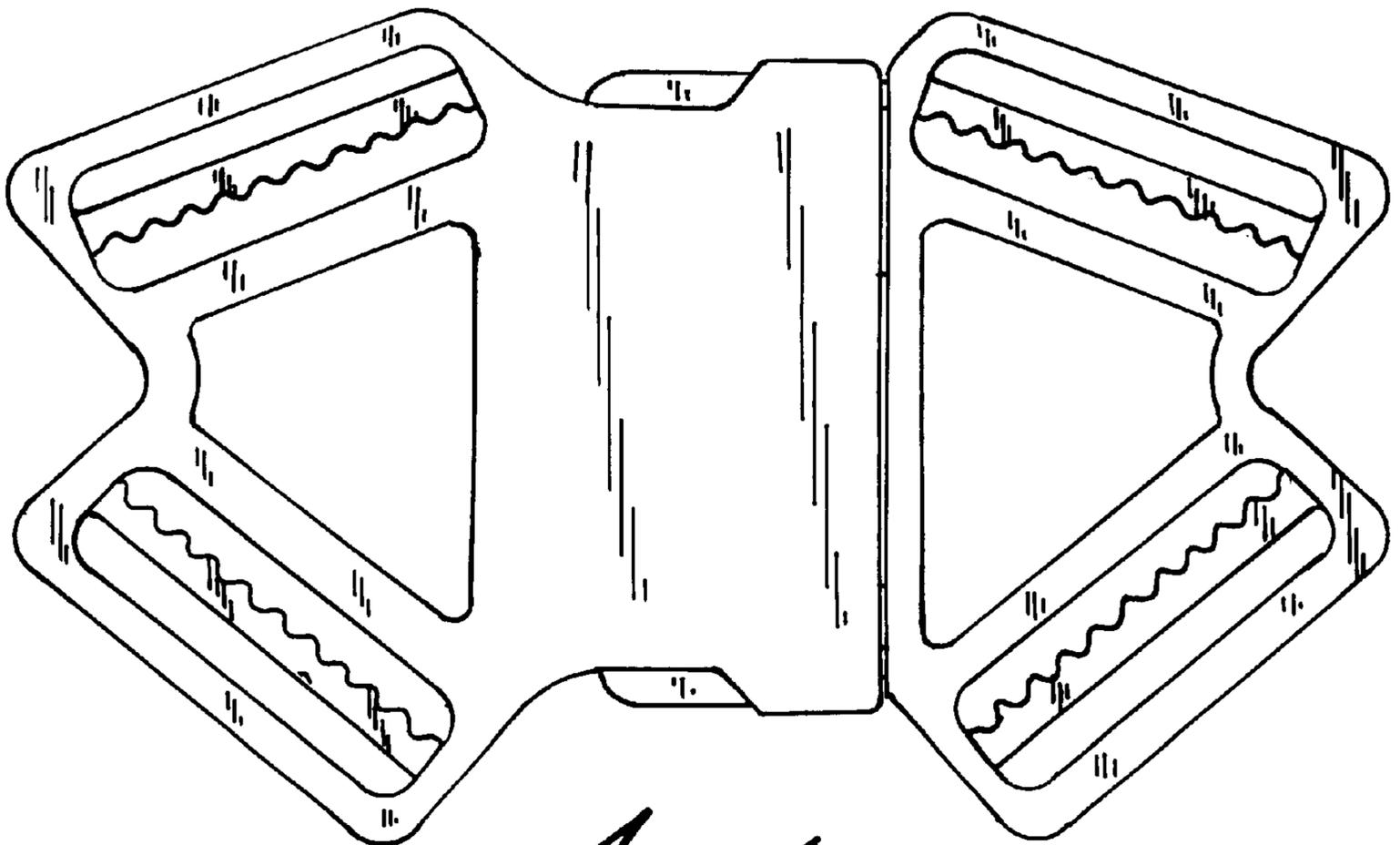
*Fig. 1*



*Fig. 2*



*Fig. 3*



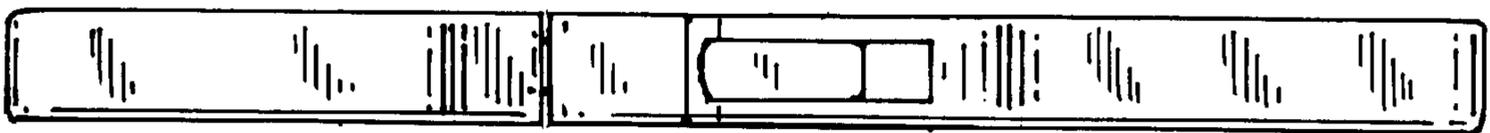
*Fig. 4*



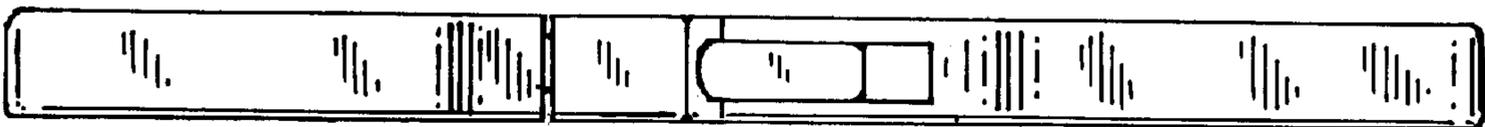
*Fig. 5*



*Fig. 6*



*Fig. 7*



*Fig. 8*

