



US00D454087S

(12) **United States Design Patent**  
**Braner**

(10) **Patent No.:** **US D454,087 S**

(45) **Date of Patent:** **\*\* Mar. 5, 2002**

(54) **MONEY CLIP**

(76) **Inventor:** **Harold R. Braner**, 12128 Prosperity Farms Rd., Palm Beach Gardens, FL (US) 33410

(\*\*) **Term:** **14 Years**

(21) **Appl. No.:** **29/127,295**

(22) **Filed:** **Aug. 3, 2000**

(51) **LOC (7) Cl.** ..... **11-01**

(52) **U.S. Cl.** ..... **D11/78.1**

(58) **Field of Search** ..... D11/78.1, 215; D8/395; D19/65, 86; 24/488, 489, 563, 552

(56) **References Cited**

**U.S. PATENT DOCUMENTS**

- 703,485 A \* 7/1902 Shedlock ..... 24/552
- 1,753,186 A \* 4/1930 Baer ..... 24/552
- 1,851,013 A \* 3/1932 Michaud et al. .... D11/78.1

- D172,925 S \* 8/1954 Grant ..... D11/78.1
- 3,861,002 A \* 1/1975 Gordon ..... 24/81
- D235,976 S \* 7/1975 Larvego ..... D11/78.1

\* cited by examiner

*Primary Examiner*—Ralf Seifert

(74) *Attorney, Agent, or Firm*—Dick and Harris

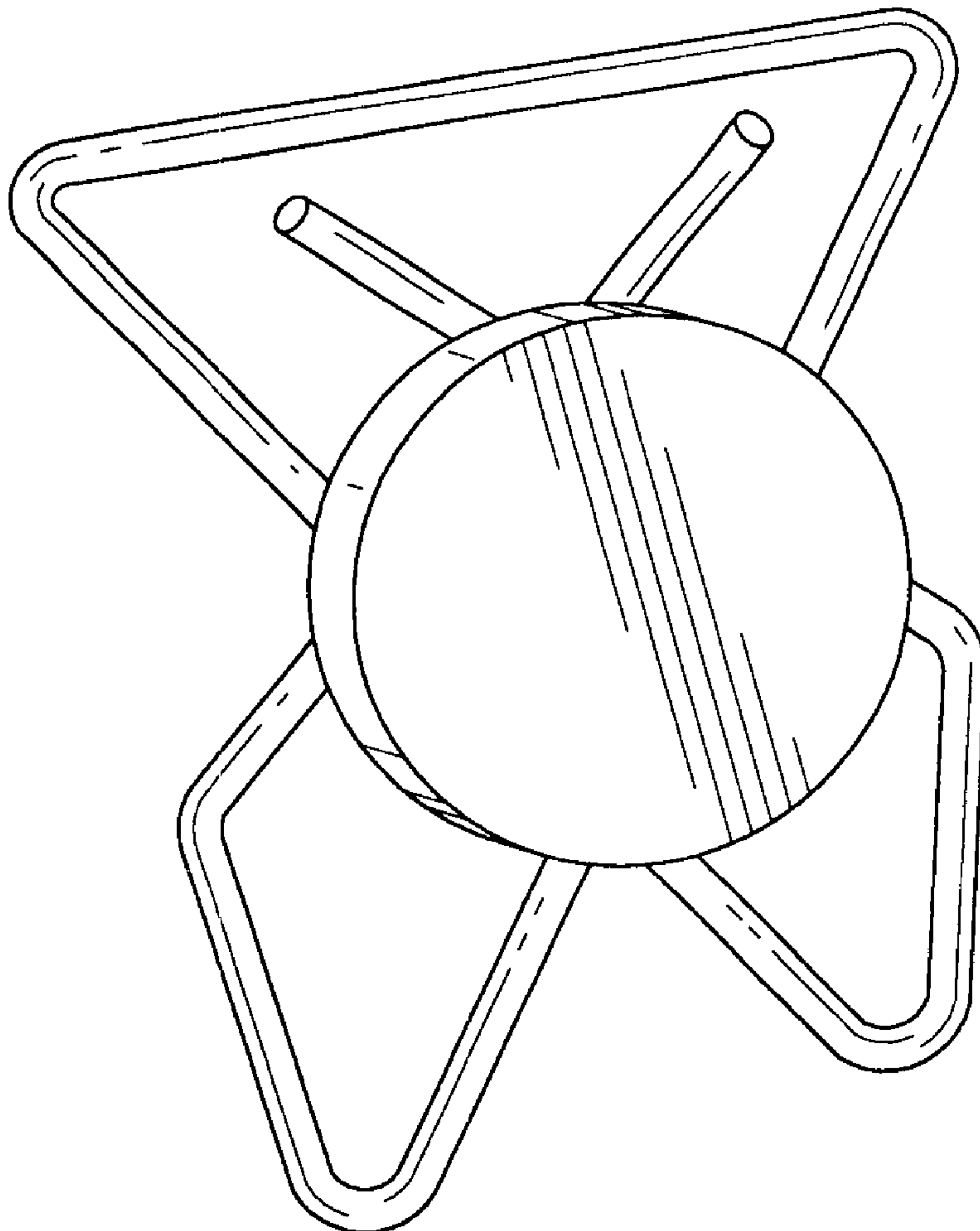
(57) **CLAIM**

The ornamental design for a money clip, described and shown.

**DESCRIPTION**

FIG. 1 is a top front perspective of the money clip; FIG. 2 is a front plan view thereof; FIG. 3 is a back plan view thereof; FIG. 4 is a right plan view thereof; FIG. 5 is a left plan view thereof; FIG. 6 is a bottom plan view thereof; and, FIG. 7 is a top plan view thereof.

**1 Claim, 1 Drawing Sheet**



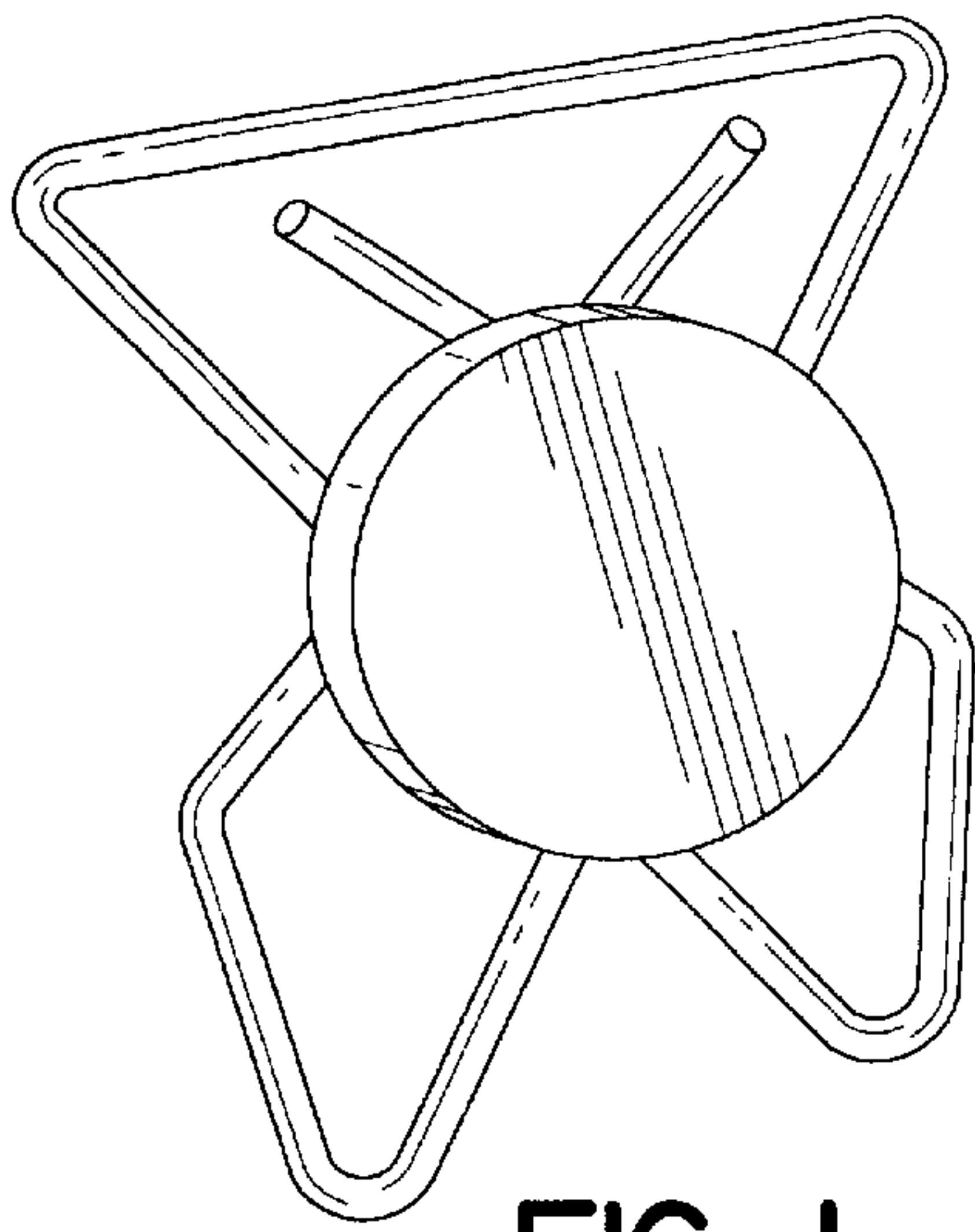


FIG. 1

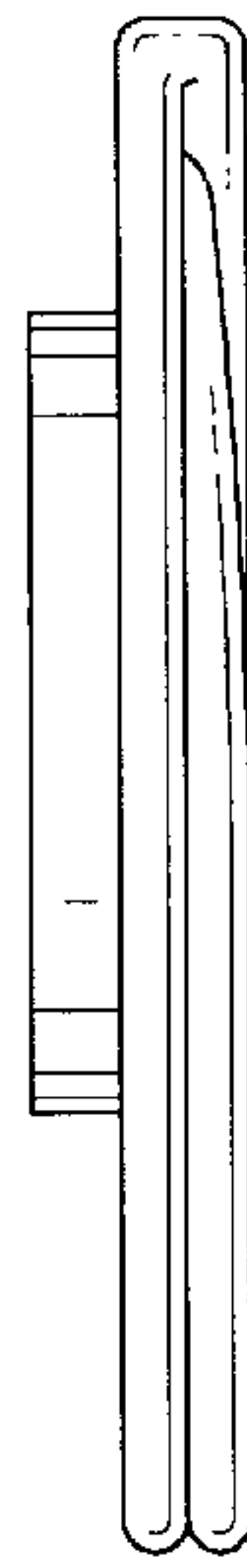


FIG. 4



FIG. 5

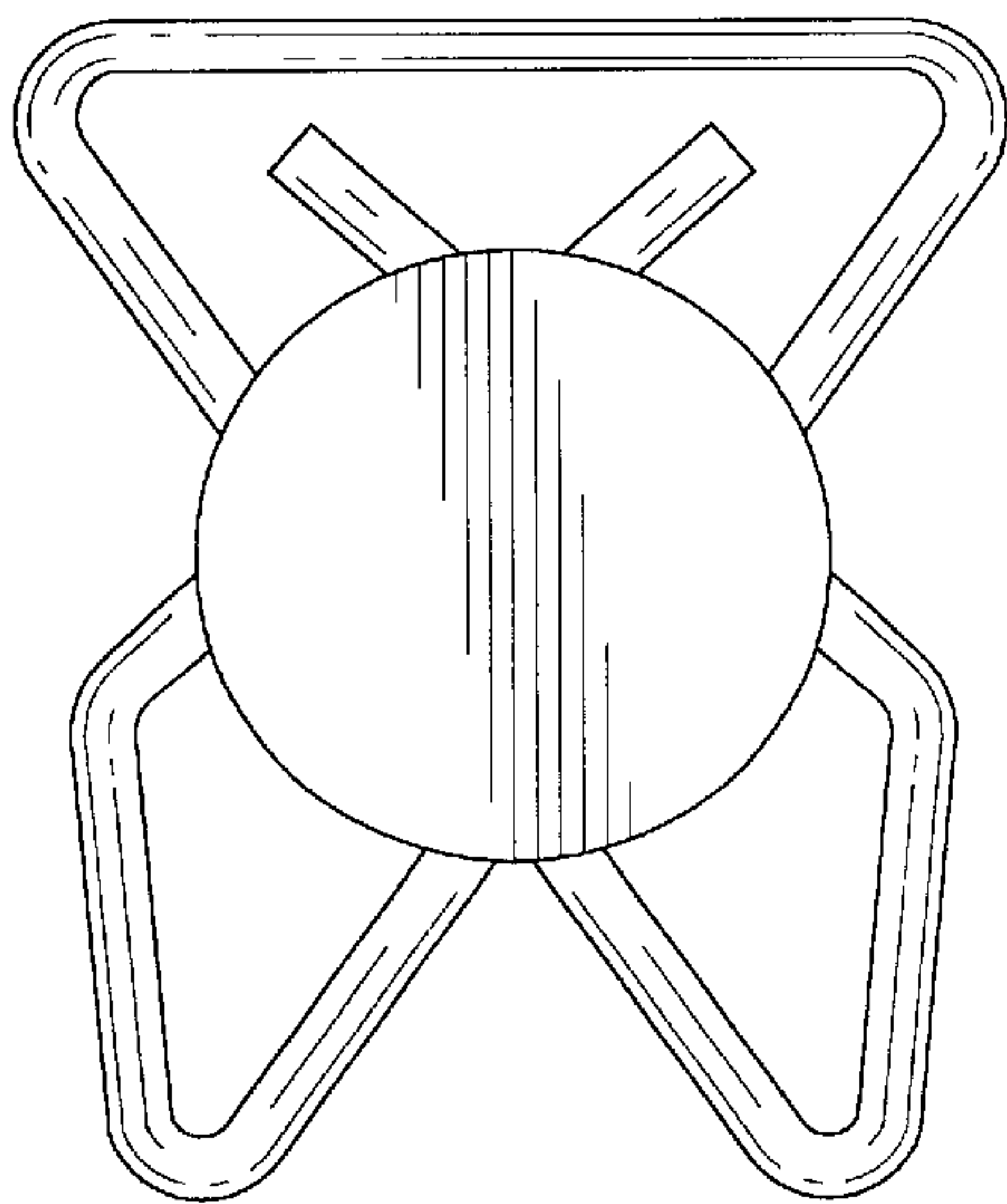


FIG. 2

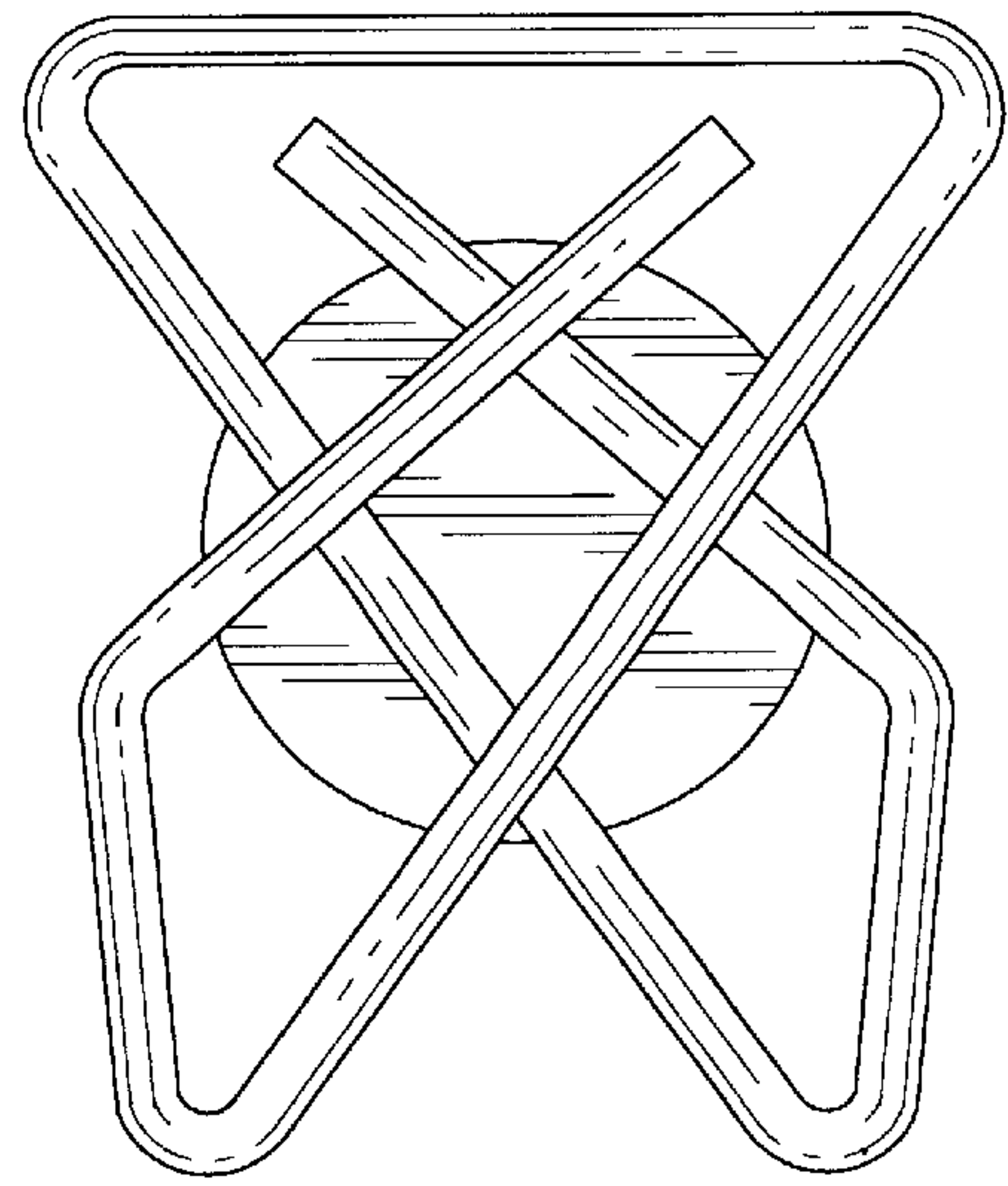


FIG. 3

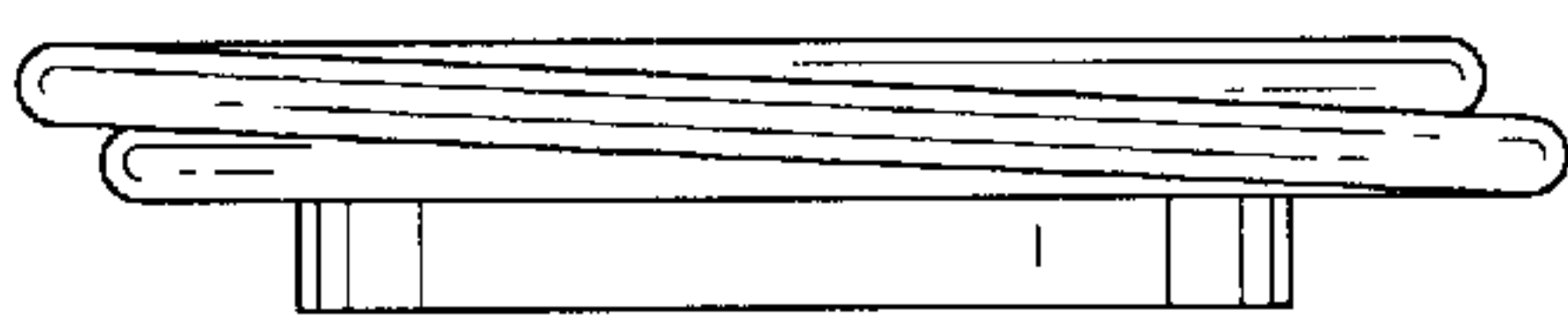


FIG. 6

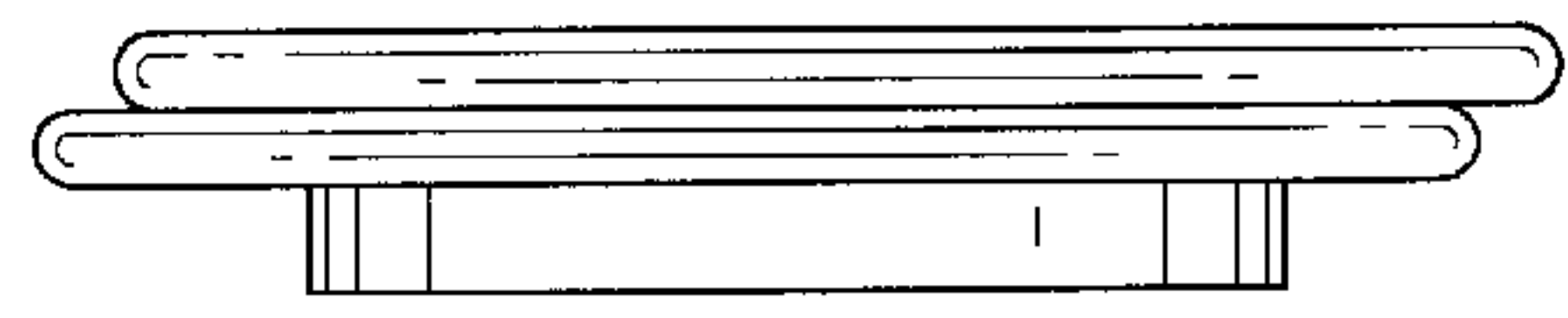


FIG. 7