



US00D454075S

(12) **United States Design Patent**
Tschumy

(10) **Patent No.:** **US D454,075 S**

(45) **Date of Patent:** **** Mar. 5, 2002**

(54) **CASING FOR A WATCH**

D410,854 S * 6/1999 Cheung et al. D10/39

(75) Inventor: **Antoine Tschumy**, La Chaux-de-Fonds
(CH)

OTHER PUBLICATIONS

European Jeweler—Dec. 1974—p. 13—watches at bot-
tom.*

(73) Assignee: **Timex Group B.V.** (NL)

* cited by examiner

(**) Term: **14 Years**

Primary Examiner—Nelson C. Holtje

(21) Appl. No.: **29/141,679**

(74) *Attorney, Agent, or Firm*—Carmody & Torrance LLP

(22) Filed: **May 10, 2001**

(57) **CLAIM**

(51) **LOC (7) Cl.** **10-02**

The ornamental design for a casing for a watch, as shown
and described.

(52) **U.S. Cl.** **D10/30; D10/38**

(58) **Field of Search** D10/1-40, 122-132;
368/280-282, 276-277, 28-30, 285, 239-242,
82-84, 41-44

DESCRIPTION

(56) **References Cited**

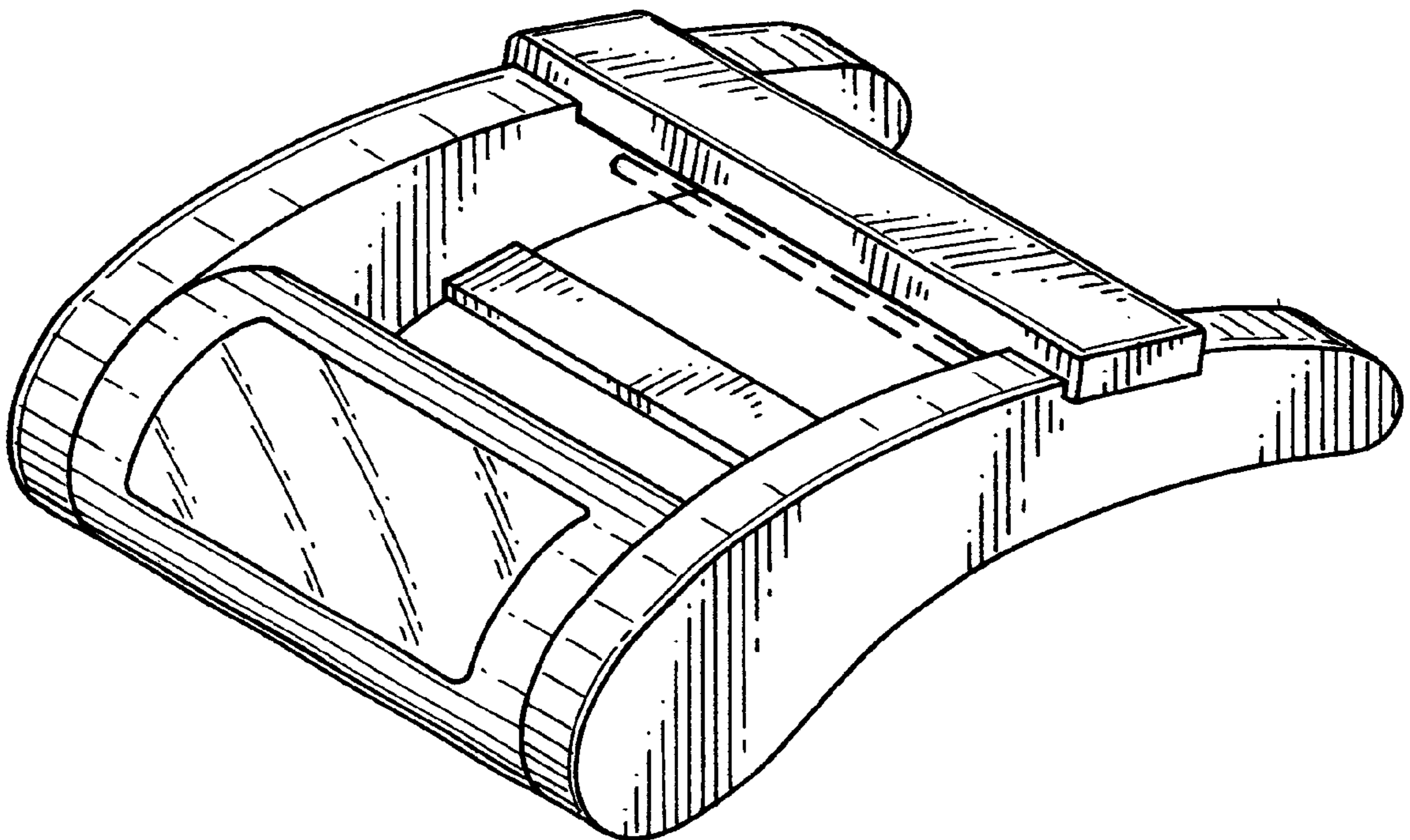
U.S. PATENT DOCUMENTS

3,566,602 A	*	3/1971	Bergey et al.	368/79
3,768,247 A	*	10/1973	Fujita	368/160
D229,213 S	*	11/1973	Sasaki	D10/38
D239,373 S	*	3/1976	Huckenbeck	D10/39
D239,511 S	*	4/1976	Watson	D10/38
D242,774 S	*	12/1976	Huguenin	D10/38
D249,024 S	*	8/1978	Ackerman	D10/30

FIG. 1 is a perspective view of a casing for a watch showing
my new design;
FIG. 2 is a left side elevational view thereof;
FIG. 3 is a top plan view thereof;
FIG. 4 is a right side elevational view thereof;
FIG. 5 is a first end elevational view thereof;
FIG. 6 is a second end elevational view thereof; and,
FIG. 7 is a bottom plan view.

The broken-line showings are environmental only and form
no part of the claimed design.

1 Claim, 2 Drawing Sheets



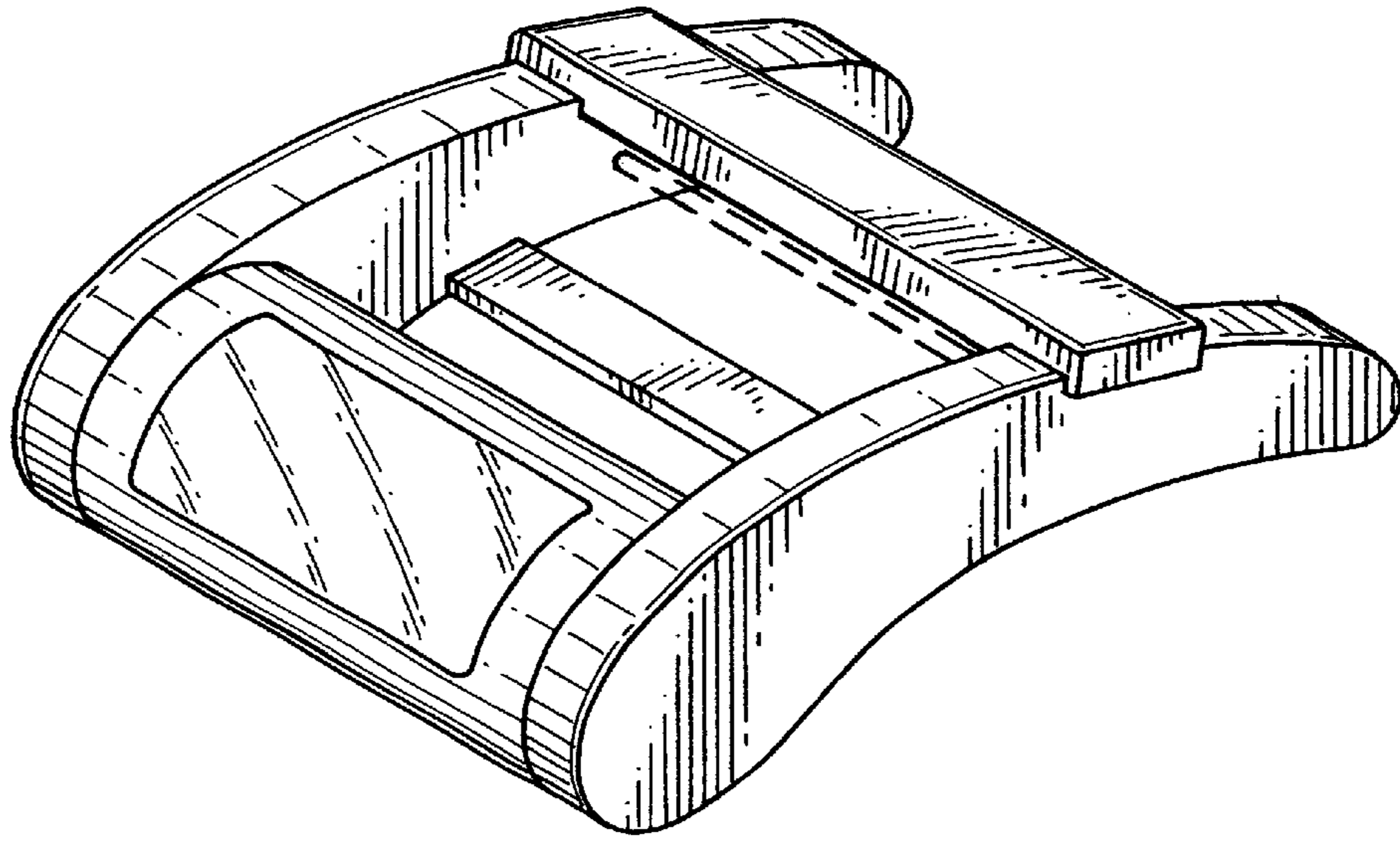


FIG. 1

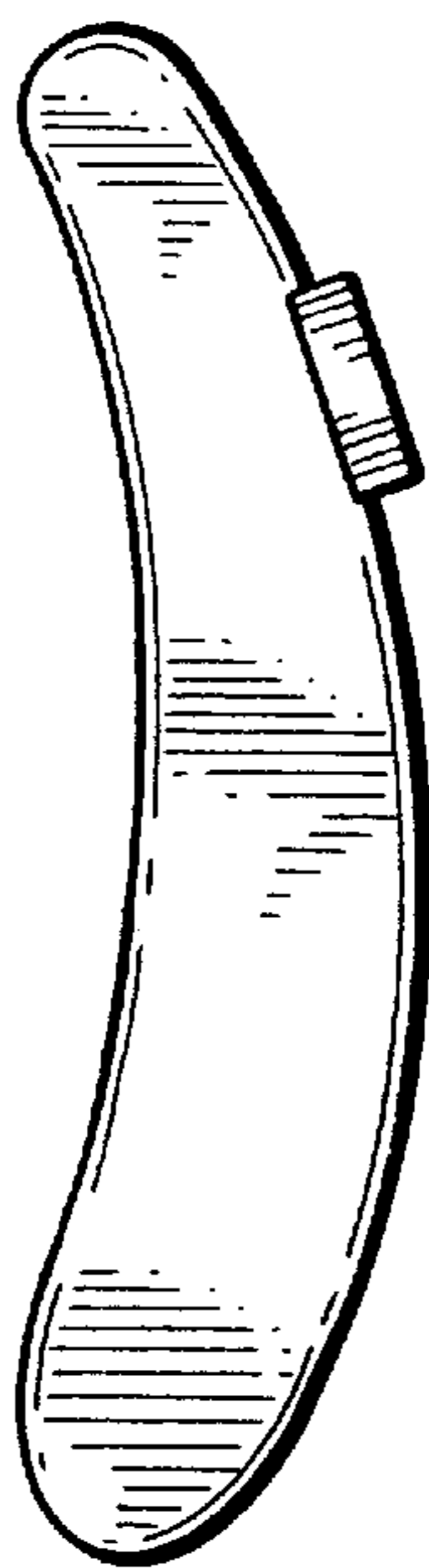


FIG. 2

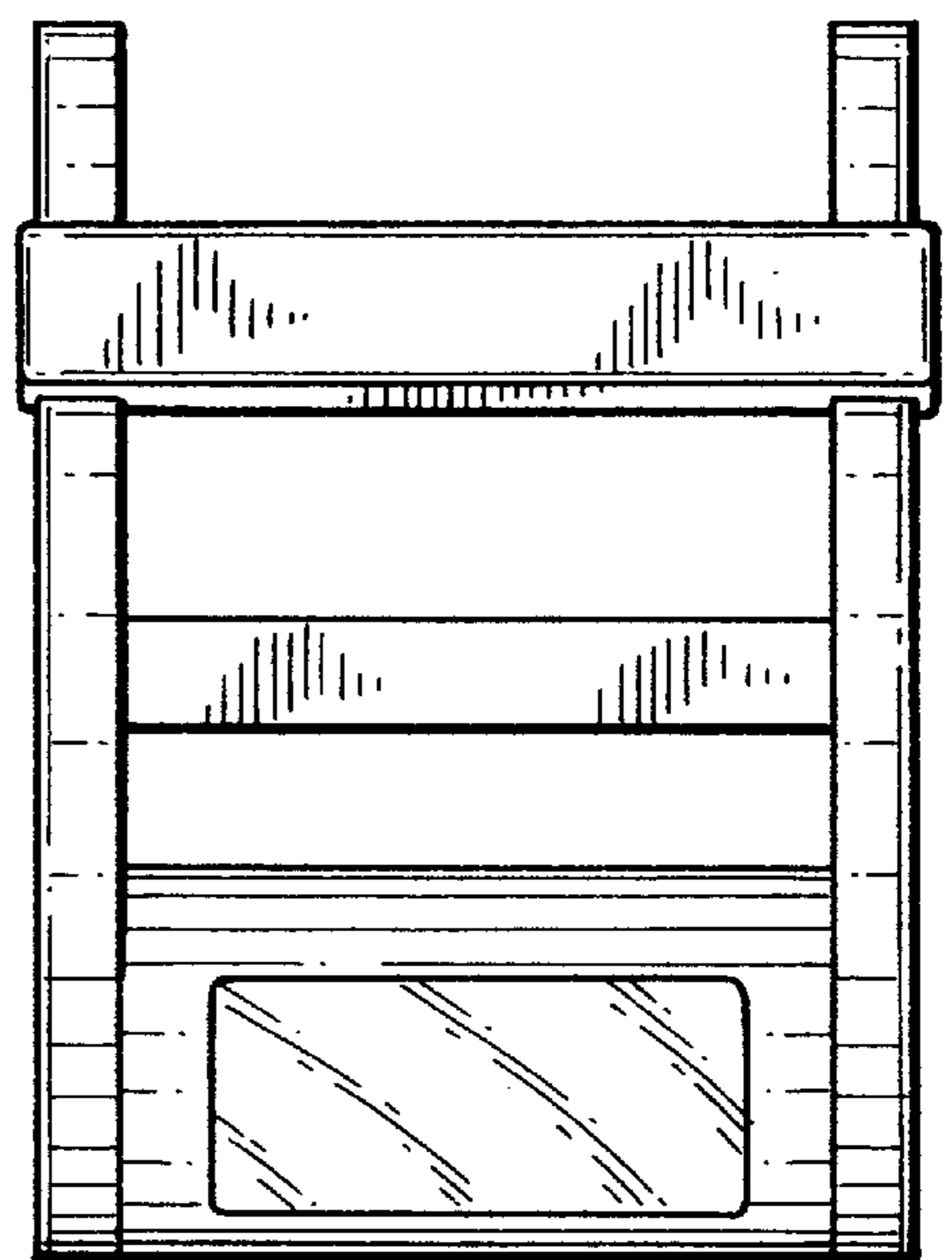


FIG. 3

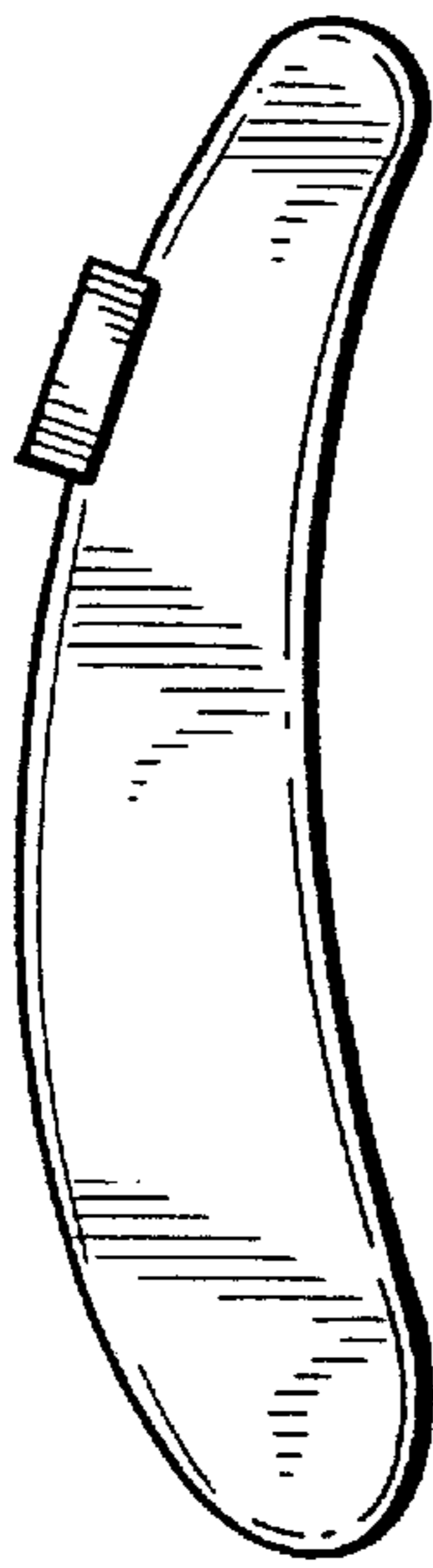


FIG. 4

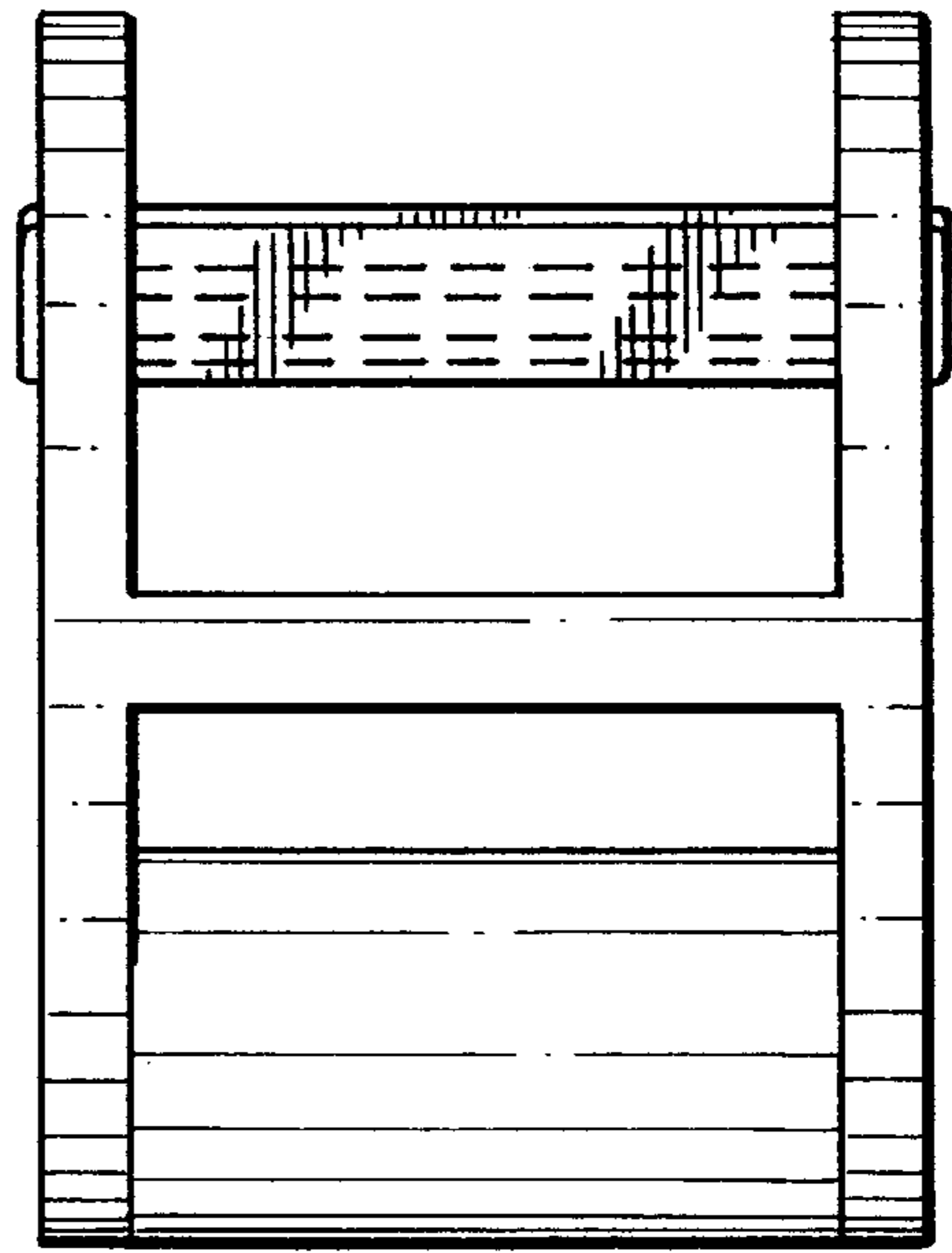


FIG. 7

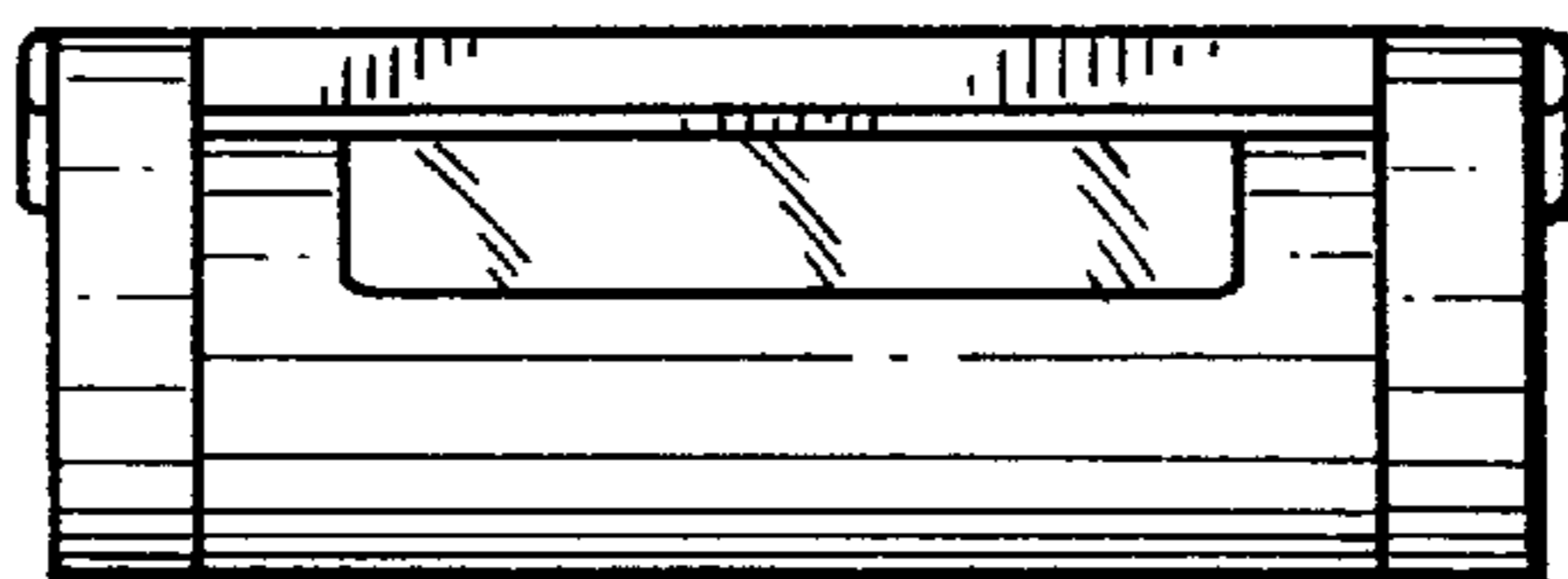


FIG. 5

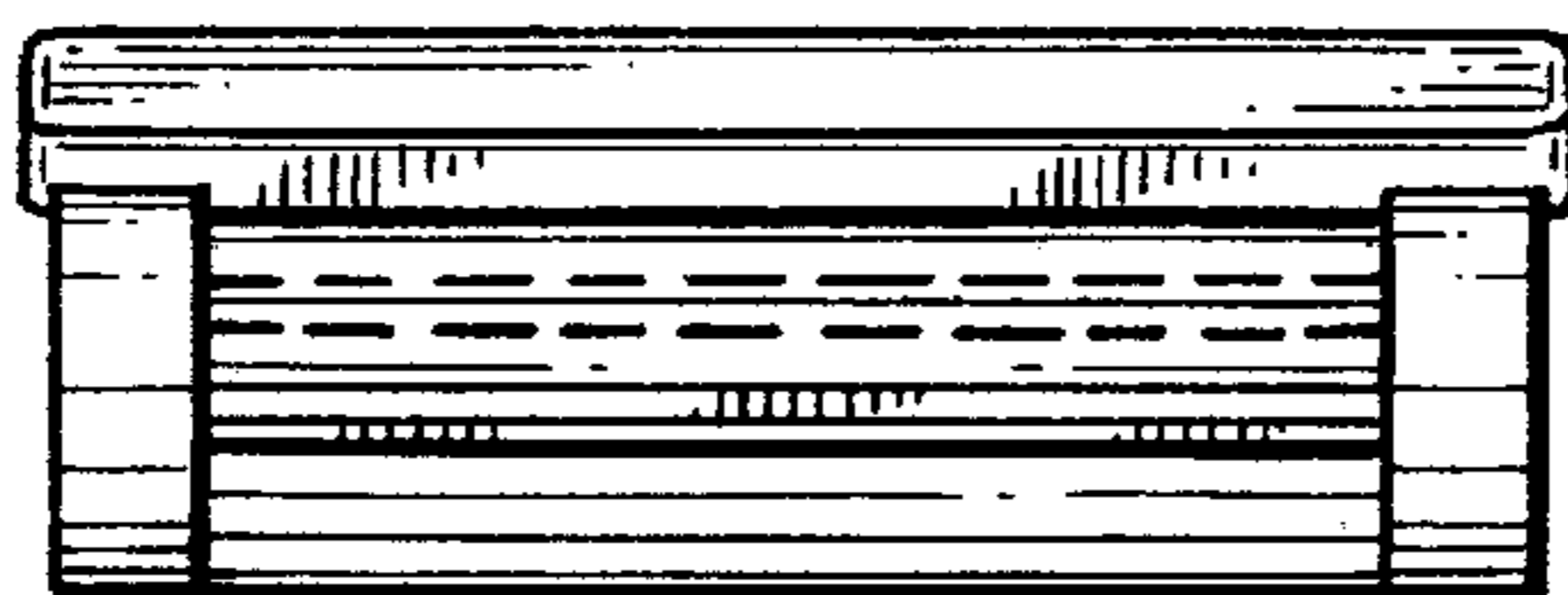


FIG. 6