



US00D454064S

(12) **United States Design Patent**
Nance

(10) **Patent No.:** **US D454,064 S**

(45) **Date of Patent:** **** Mar. 5, 2002**

(54) **FINGER MOUNTABLE CONDIMENT CUP**

(76) **Inventor:** **Gary Nance**, 1805 Ellison Dr.,
Modesto, CA (US) 95355

(**) **Term:** **14 Years**

(21) **Appl. No.:** **29/142,424**

(22) **Filed:** **May 25, 2001**

(51) **LOC (7) Cl.** **09-03**

(52) **U.S. Cl.** **D9/424**

(58) **Field of Search** D9/424, 425, 414,
D9/337, 341, 432; D7/590, 592, 600; 206/515-518,
508, 557, 558, 563; 220/23.83, 23.2, 574,
575, 556, 675, 659; 229/87.08, 400-407,
904, 906.1, 934, 925

(56) **References Cited**

U.S. PATENT DOCUMENTS

D160,567 S	10/1950	Wylie	
D176,022 S	11/1955	King	
2,796,067 A	6/1957	McCutcheon et al.	
D209,239 S	* 11/1967	Bernstein D9/425
3,400,855 A	* 9/1968	Alexander 229/402
4,221,295 A	* 9/1980	Tuchband et al. 206/564
4,461,396 A	7/1984	Harper	
5,018,623 A	* 5/1991	Hrenyo 206/557
5,213,253 A	* 5/1993	Fantoni et al. 229/402
D339,522 S	* 9/1993	Zoss D9/425
5,323,910 A	6/1994	Van de Graaf, Jr.	

D351,997 S	* 11/1994	Finnah D9/347
5,417,364 A	5/1995	Shaw	
5,634,568 A	6/1997	Wawrzyniak	
D395,392 S	* 6/1998	Lahm et al. D9/425
5,878,908 A	* 3/1999	Foley 220/556
5,947,011 A	9/1999	Xu	

OTHER PUBLICATIONS

Photocopy of condiment container sold in McDonalds®
1985.

* cited by examiner

Primary Examiner—Prabhakar Deshmukh

(74) *Attorney, Agent, or Firm*—Eric Karich

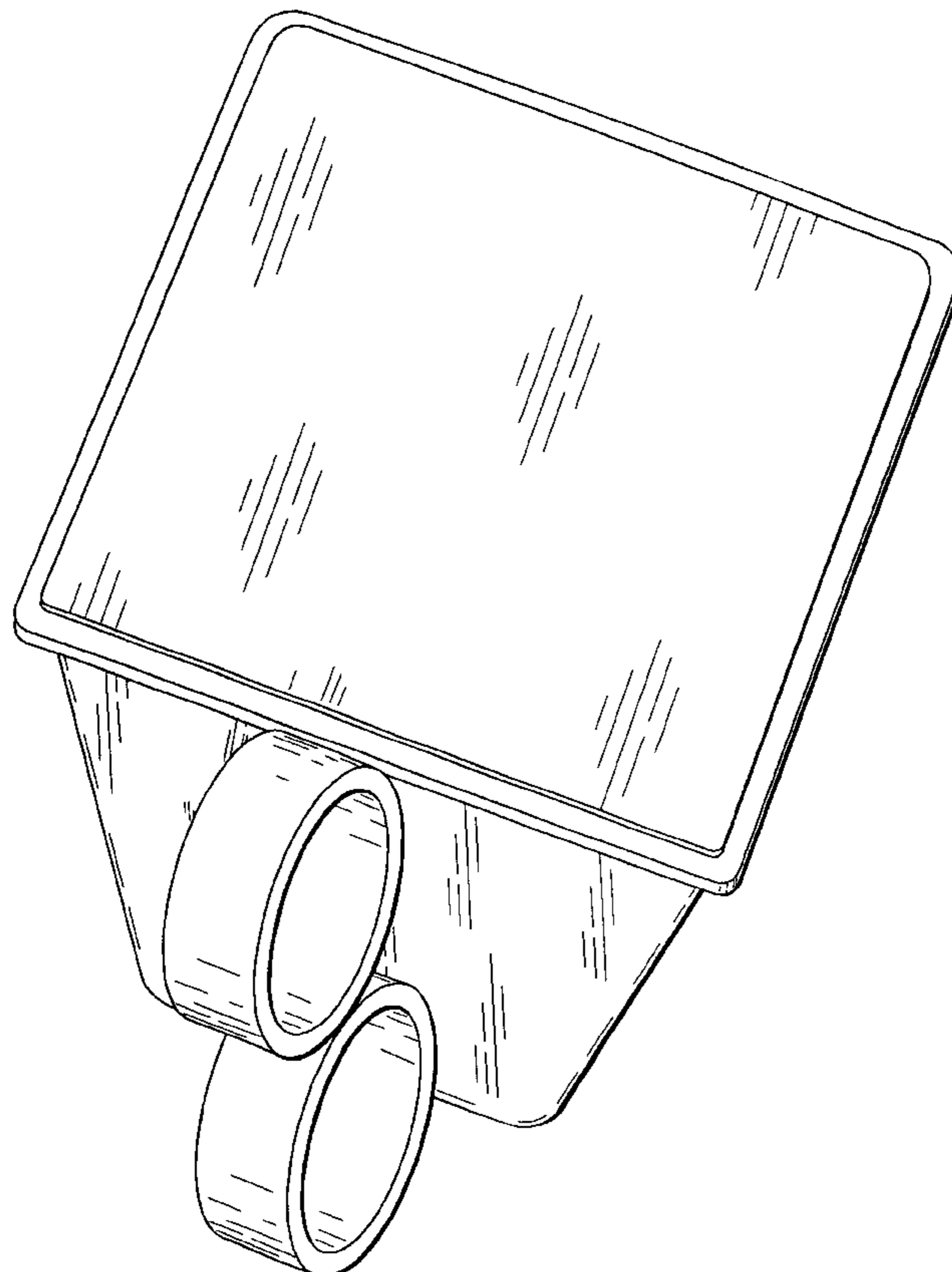
(57) **CLAIM**

The ornamental design for a “finger mountable condiment
cup”, as shown and described.

DESCRIPTION

FIG. 1 is a perspective view of a finger mountable condi-
ment cup, showing my new design;
FIG. 2 is a front elevational view thereof;
FIG. 3 is a rear elevational view thereof;
FIG. 4 is a left side elevational view thereof, the right side
elevation view being a mirror image thereof;
FIG. 5 is a top plan view thereof; and,
FIG. 6 is a bottom plan view thereof.

1 Claim, 3 Drawing Sheets



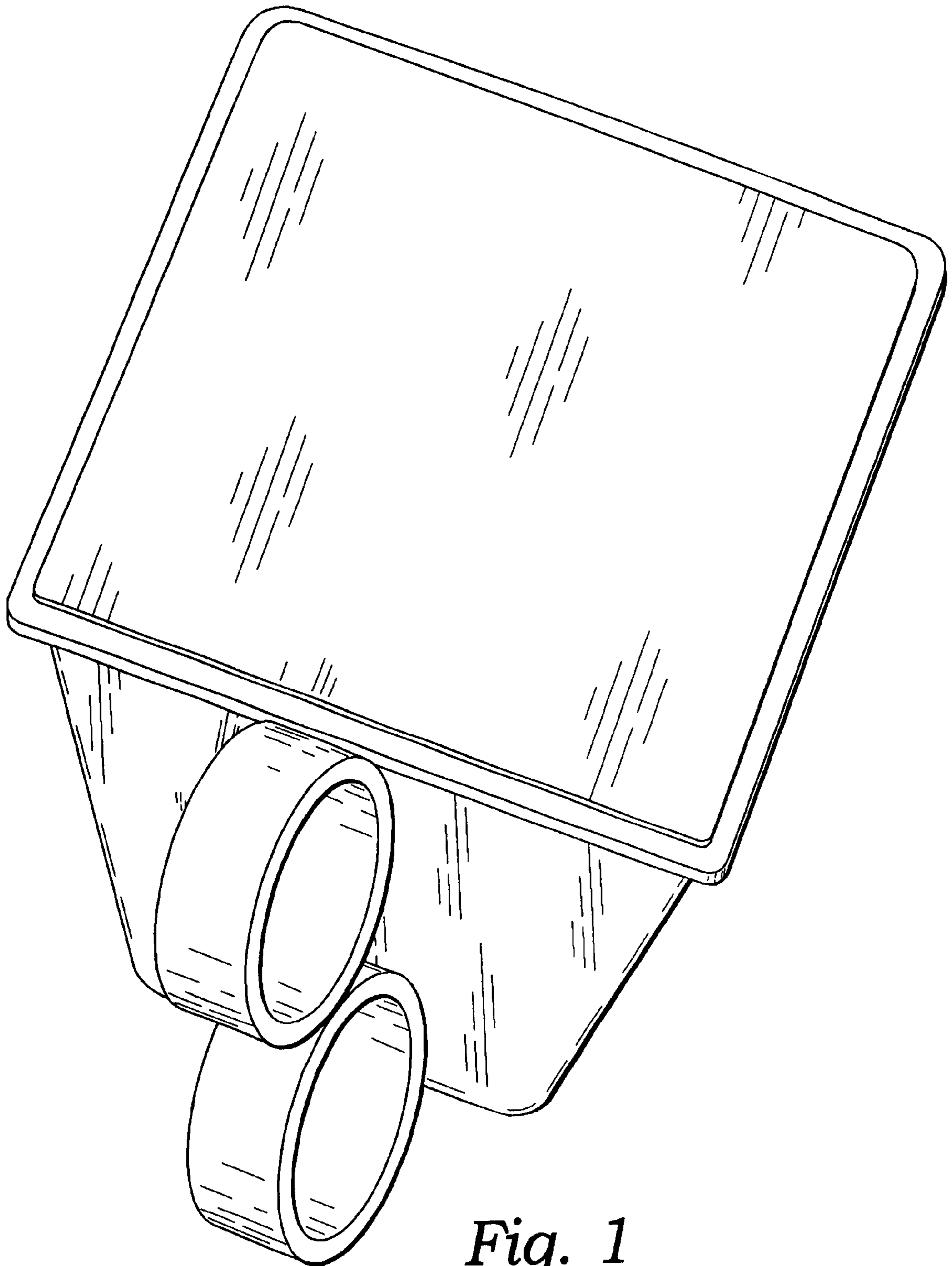


Fig. 1

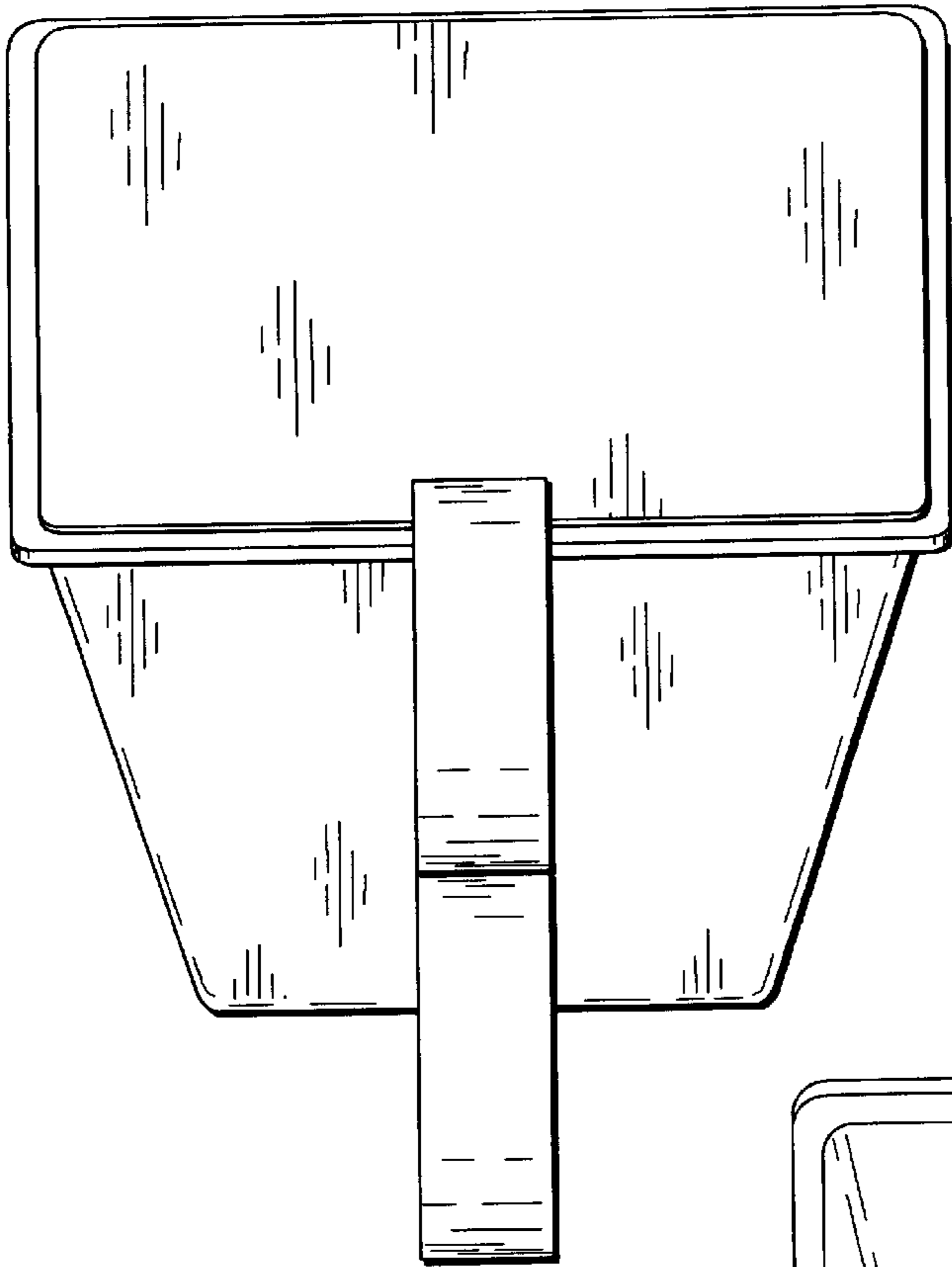


Fig. 2

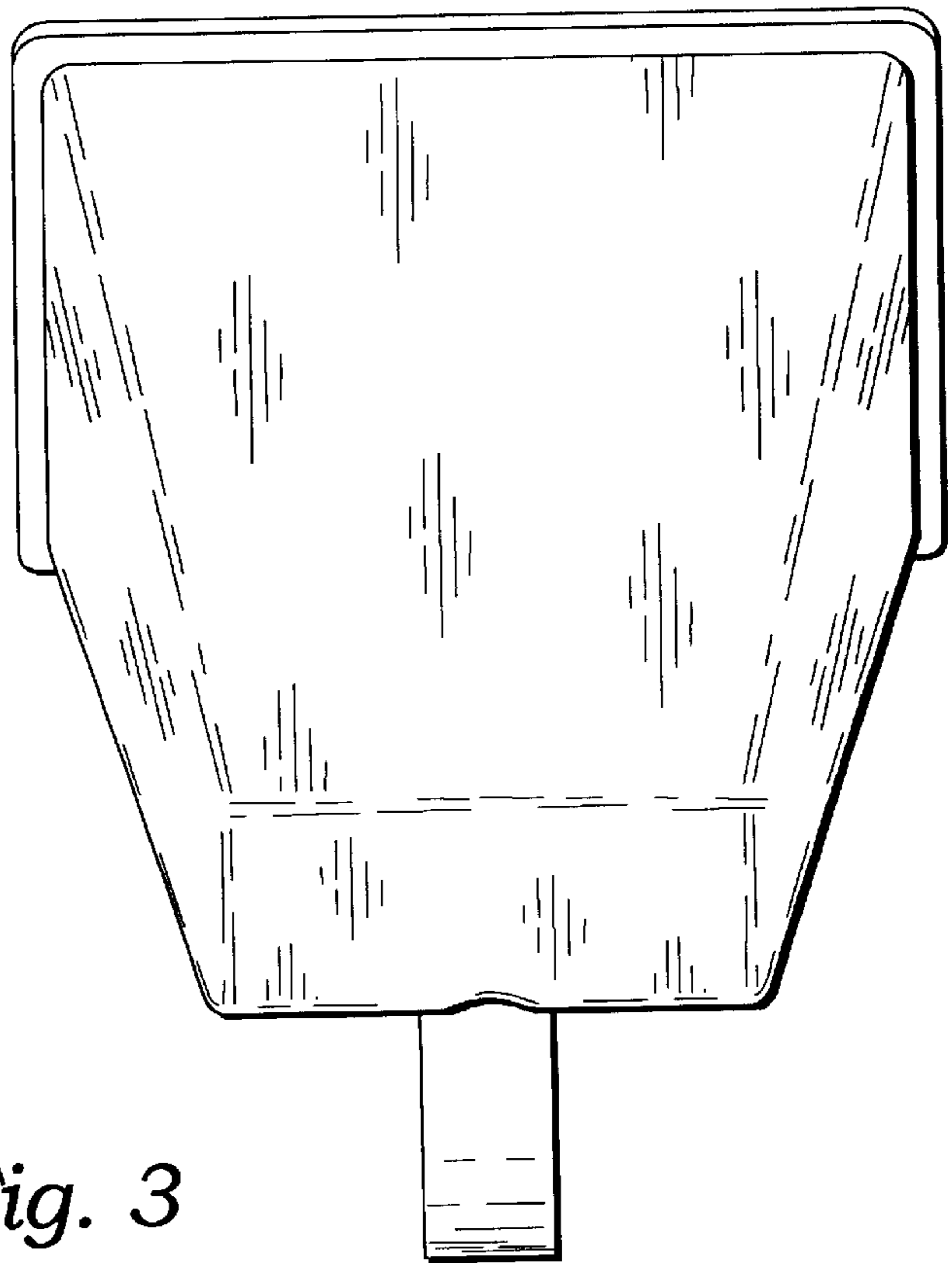


Fig. 3

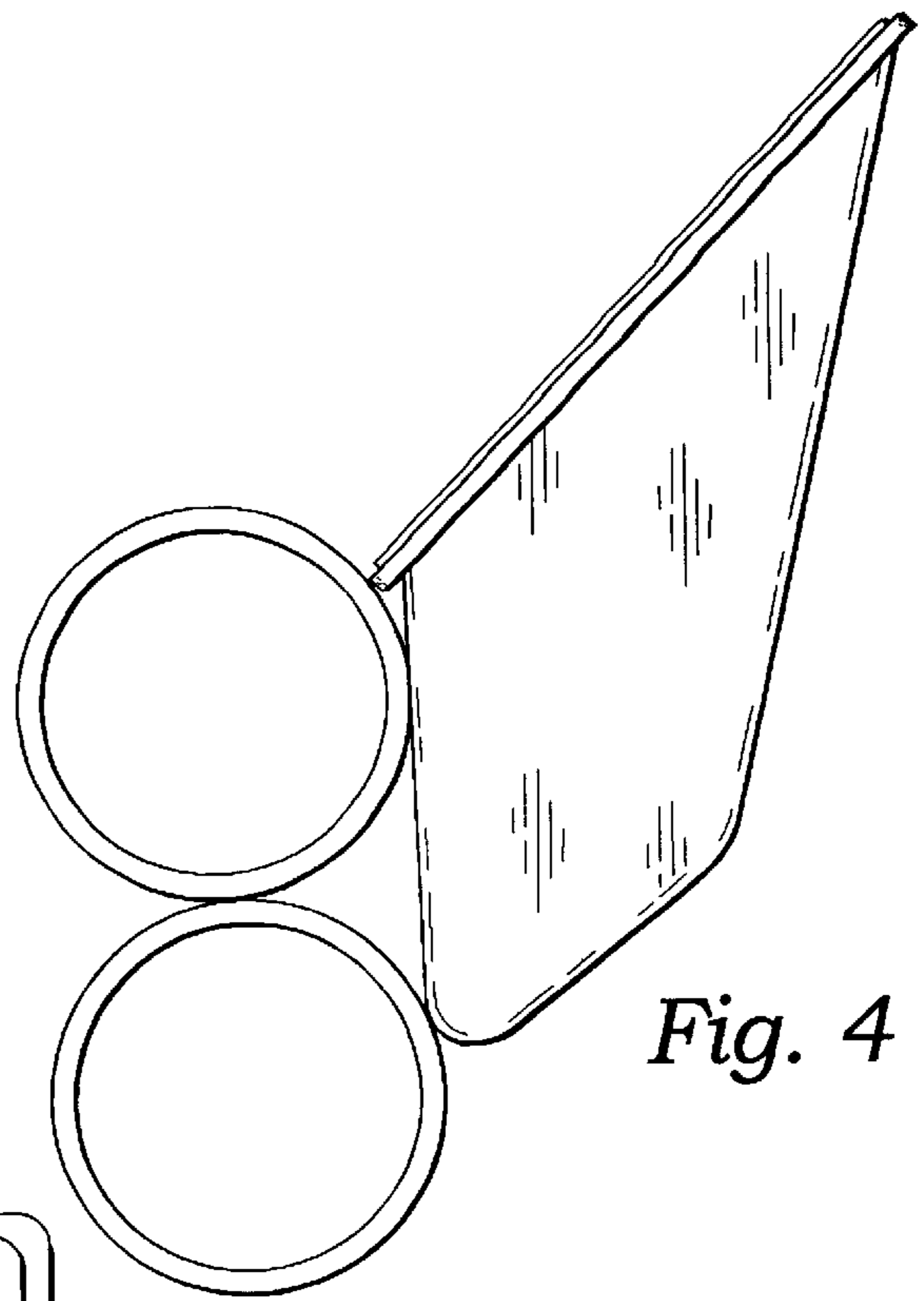


Fig. 4

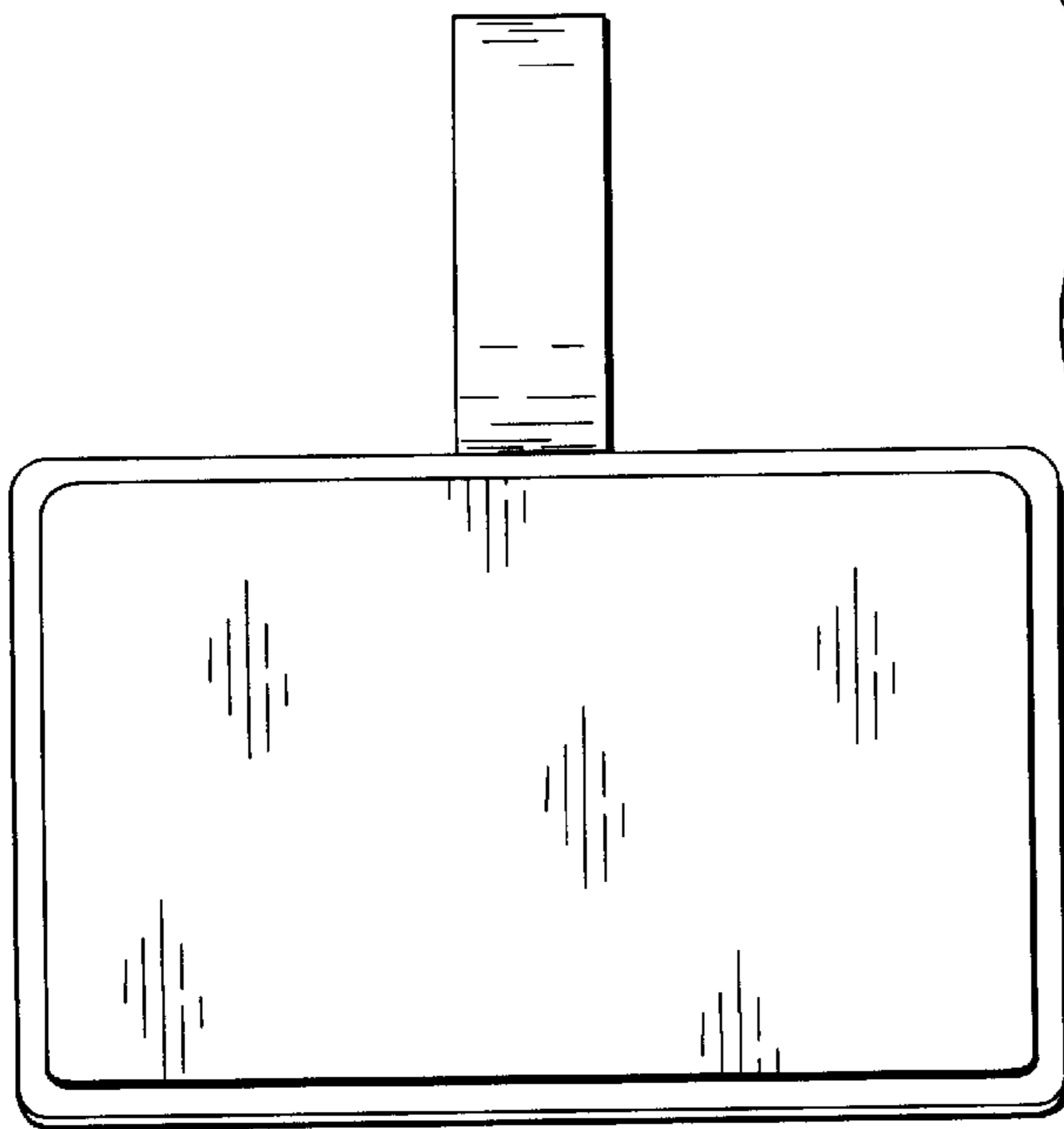


Fig. 5

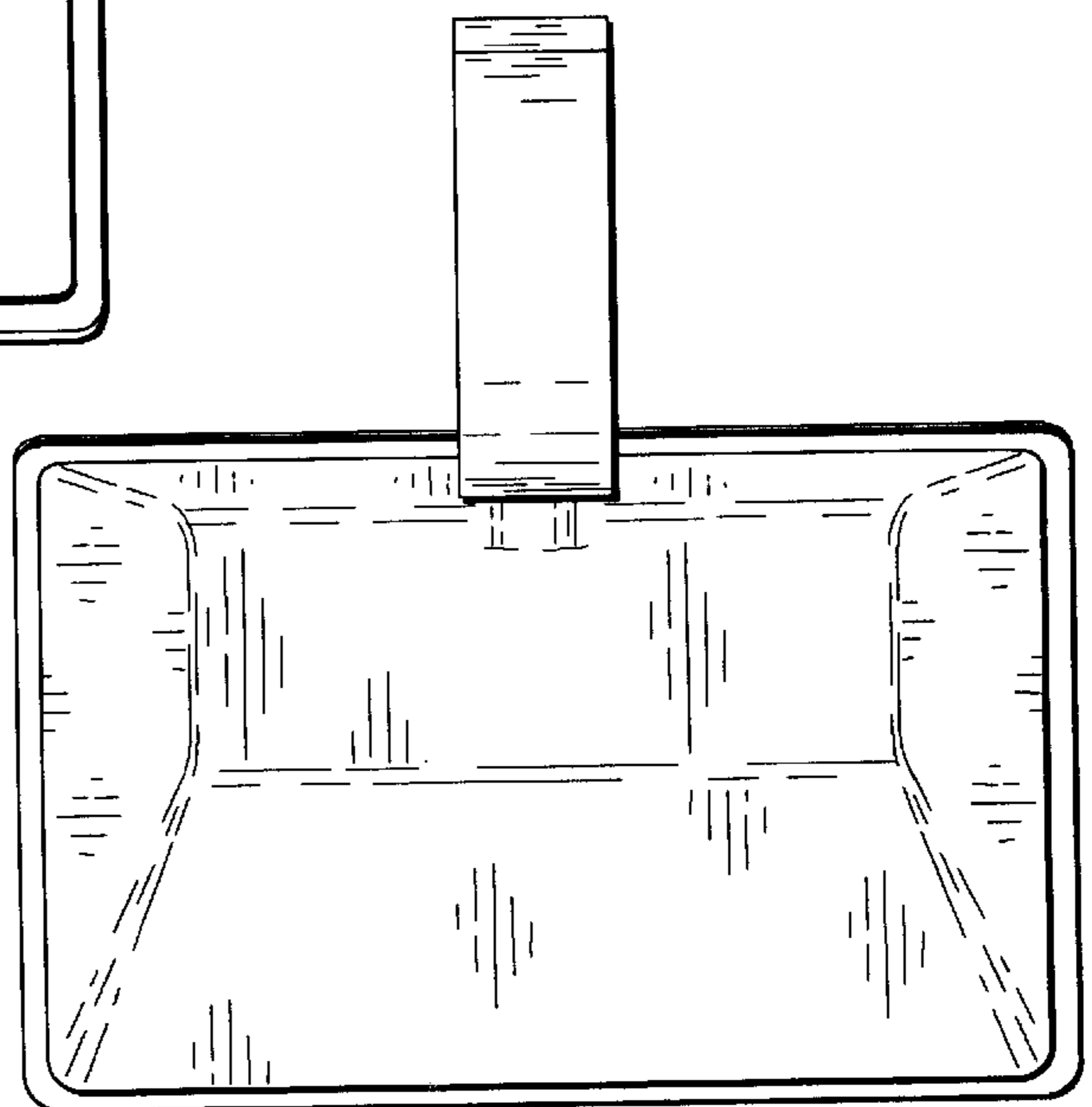


Fig. 6