



US00D454058S

(12) **United States Design Patent**
Davis

(10) **Patent No.:** **US D454,058 S**

(45) **Date of Patent:** **** Mar. 5, 2002**

(54) **COMPRESSED FABRIC ARTICLE PACKAGE
HAVING A KEY SHAPE**

Primary Examiner—Terry A. Wallace
(74) *Attorney, Agent, or Firm*—Brown, Martin, Haller & McClain, LLP

(76) **Inventor:** **Alan Davis**, 5830 Oberlin Dr., Suite
202, San Diego, CA (US) 92121

(**) **Term:** **14 Years**

(57) **CLAIM**

The ornamental design for a compressed fabric article package having a key shape, as shown.

(21) **Appl. No.:** **29/138,945**

(22) **Filed:** **Mar. 22, 2001**

DESCRIPTION

(51) **LOC (7) Cl.** **09-03**

FIG. 1 is a front view of a compressed fabric article package having a key shape, showing my new design;
FIG. 2 is a right side elevational view thereof;
FIG. 3 is a top plan view thereof;
FIG. 4 is a rear view thereof;
FIG. 5 is a left side elevational view thereof; and,
FIG. 6 is a bottom plan view thereof.

(52) **U.S. Cl.** **D9/307**

(58) **Field of Search** D9/307; D8/347;
229/116.1–116.5; 206/457

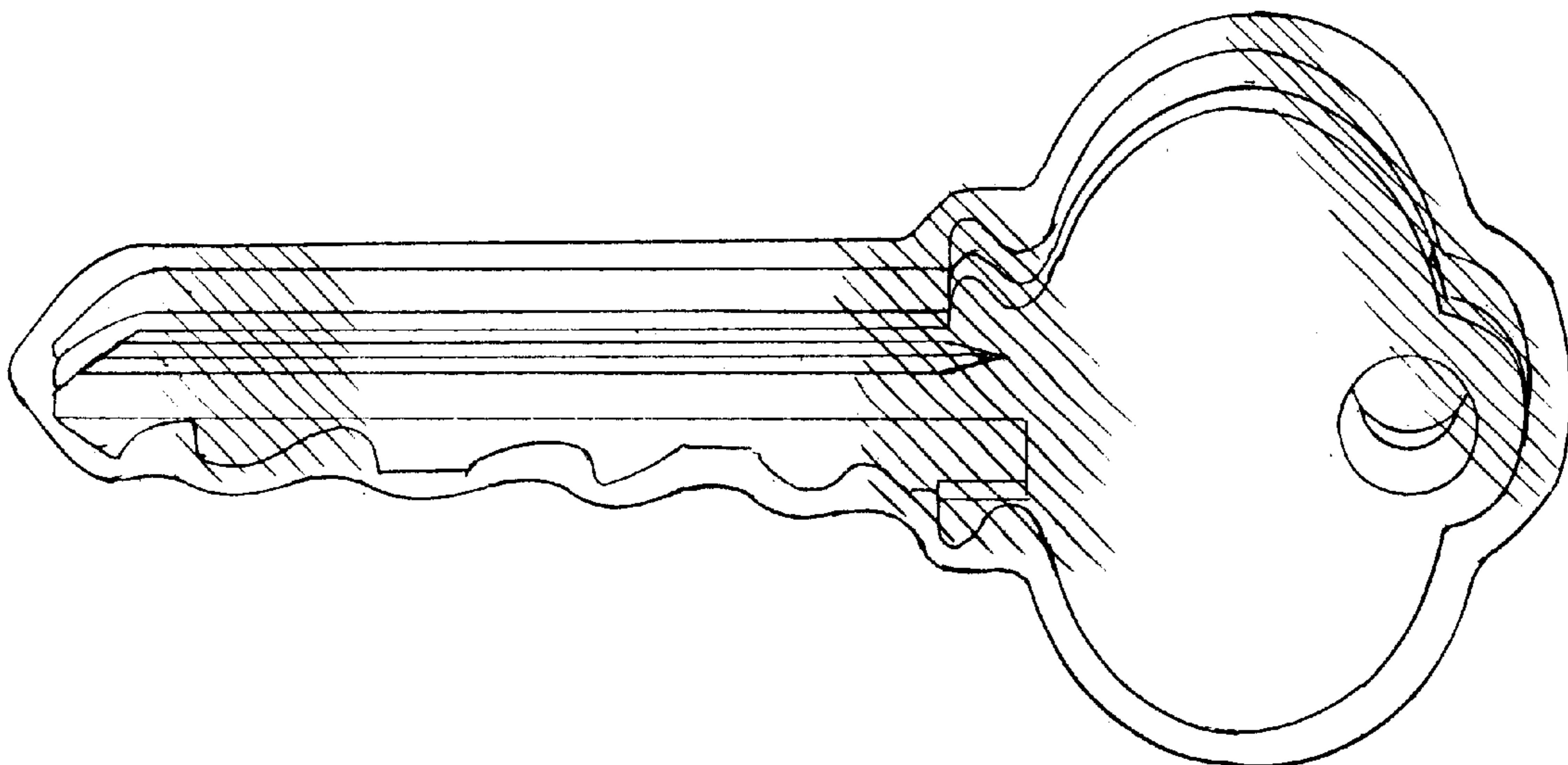
(56) **References Cited**

U.S. PATENT DOCUMENTS

D357,852 S * 5/1995 Shen D8/347

* cited by examiner

1 Claim, 1 Drawing Sheet



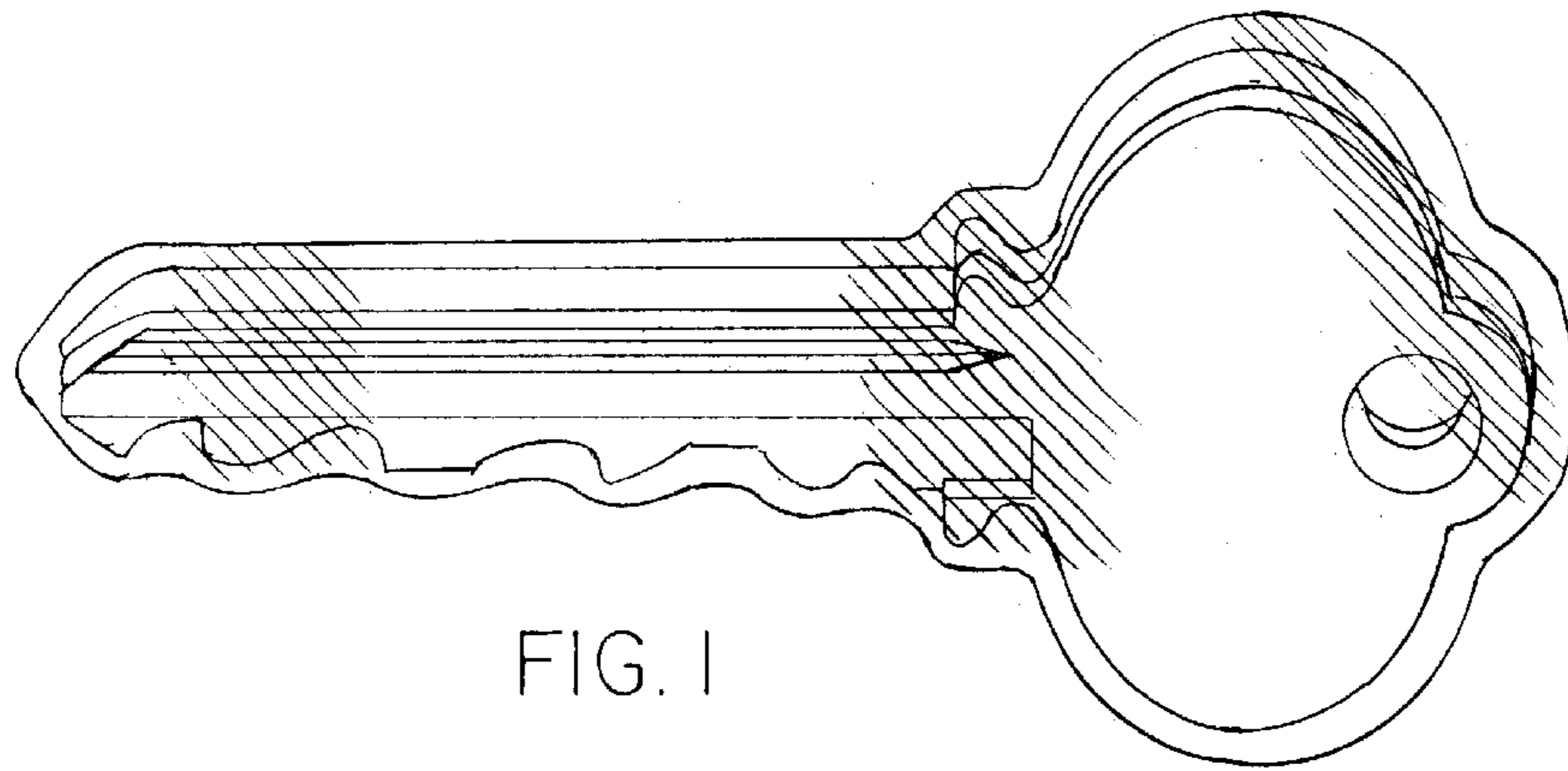


FIG. 1



FIG. 2

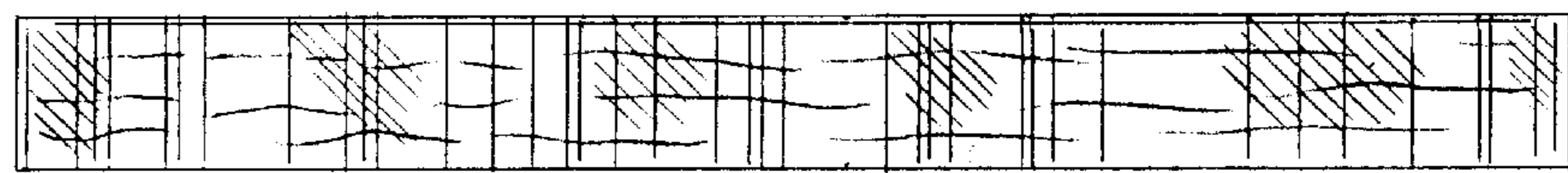


FIG. 3

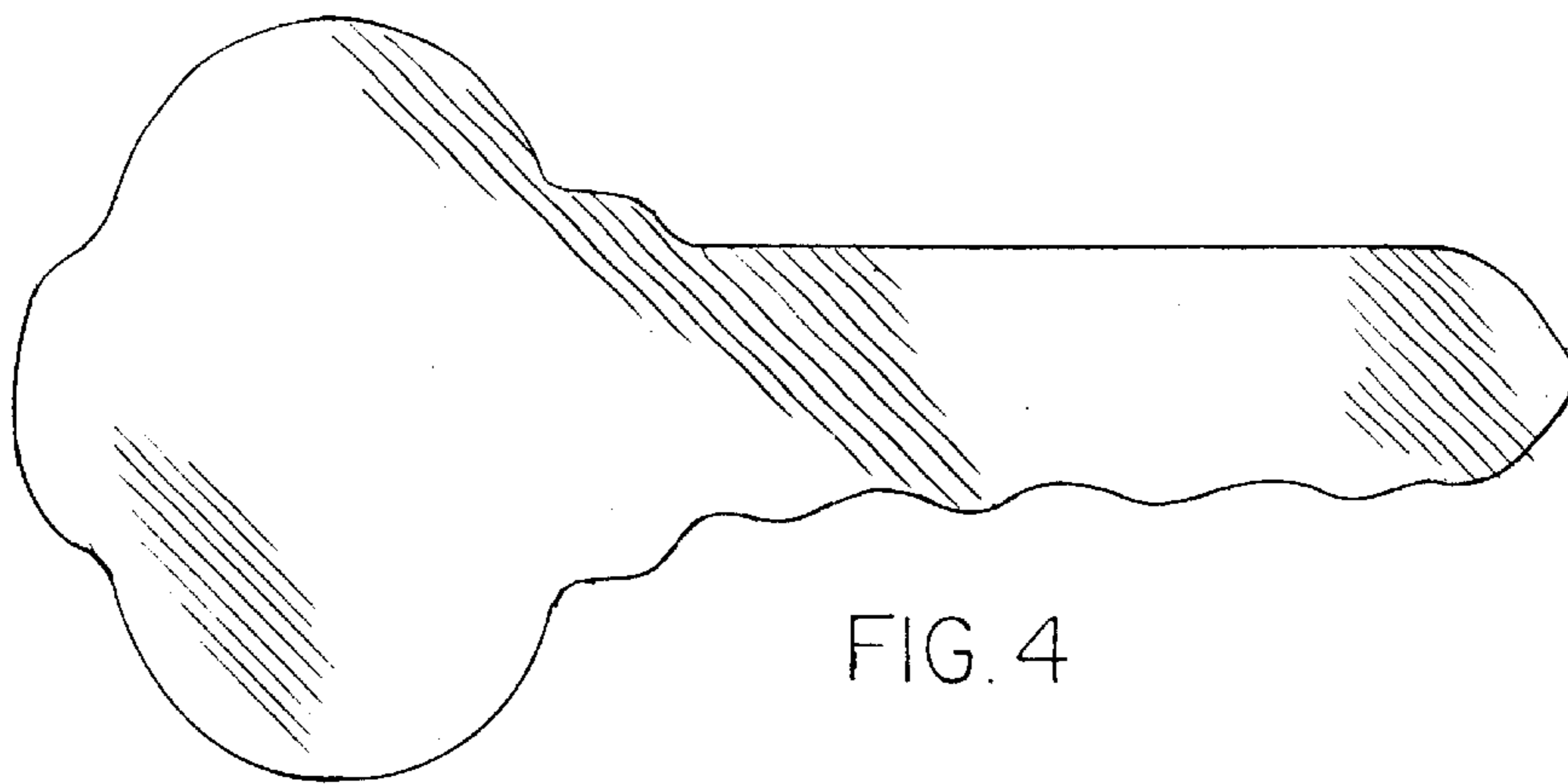


FIG. 4

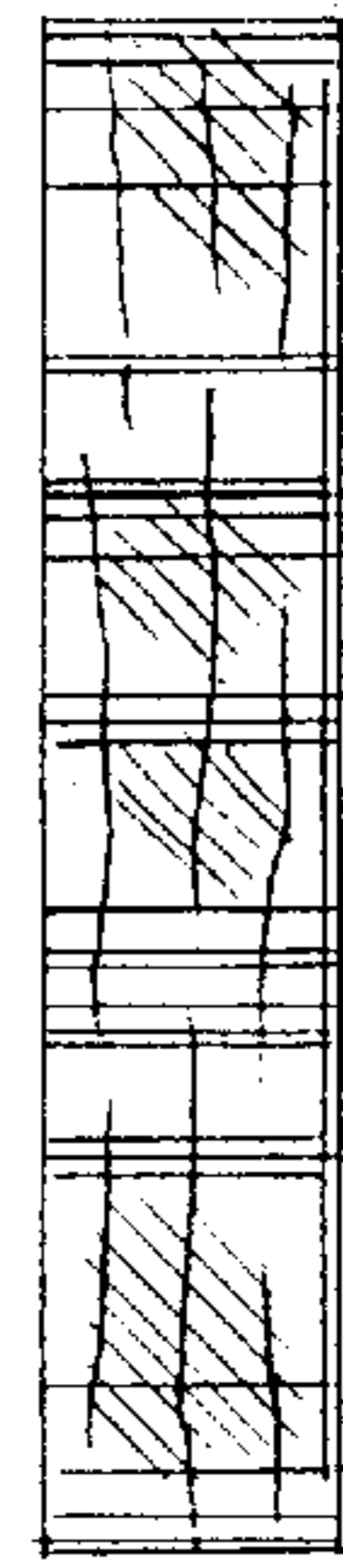


FIG. 5

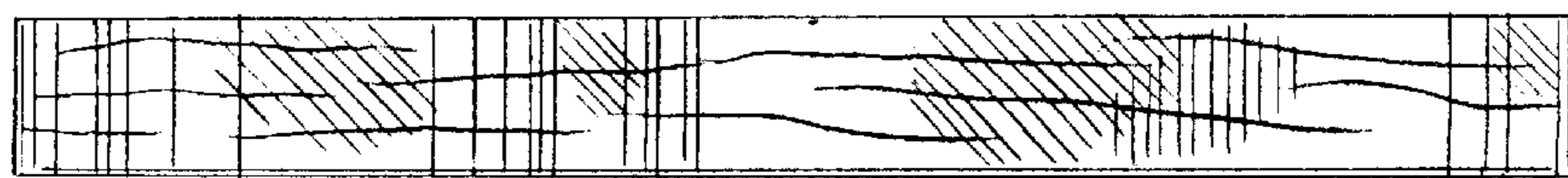


FIG. 6