



US00D454057S

(12) **United States Design Patent**  
**Pamer et al.**

(10) **Patent No.:** **US D454,057 S**  
(45) **Date of Patent:** **\*\* Mar. 5, 2002**

(54) **SELF-PIERCING CLINCH NUT**  
(75) Inventors: **W. Richard Pamer**, Macedonia;  
**Stanley H. Umbel**, Windham, both of  
OH (US)

(73) Assignee: **R B & W Manufacturing LLC**,  
Cleveland, OH (US)

(\*\*) Term: **14 Years**

(21) Appl. No.: **29/146,089**

(22) Filed: **Aug. 3, 2001**

**Related U.S. Application Data**

(60) Division of application No. 29/133,078, filed on Nov. 20, 2000, which is a continuation-in-part of application No. 29/102,399, filed on Mar. 24, 1999, now Pat. No. Des. 437,211.

(51) **LOC (7) Cl.** ..... **08-08**

(52) **U.S. Cl.** ..... **D8/397**

(58) **Field of Search** ..... D8/397; 411/427,  
411/429, 430, 918, 179, 180

(56) **References Cited**

**U.S. PATENT DOCUMENTS**

D140,317 S	2/1945	Allen	.....	D54/9
2,552,794 A	5/1951	Kimbell	.....	85/32
D186,858 S	12/1959	Reiner	.....	D54/9

3,053,300 A	9/1962	Quinto	.....	151/41.72
3,253,631 A	5/1966	Reusser	.....	151/41.73
4,432,681 A	2/1984	Capuano	.....	411/180
4,543,023 A	9/1985	Capuano	.....	411/180
5,190,423 A	3/1993	Ewing	.....	411/134
5,340,251 A	8/1994	Takahashi et al.	.....	411/179
5,549,430 A	8/1996	Takahashi et al.	.....	411/179

**OTHER PUBLICATIONS**

SPAC HGL, Nut Specifications, by R B & W Corporation, Forum SP325C009, Rev. Oct. 8, 1996.

SPAC HGLB, Nut Specifications, by R B & W Corporation, Forum SP325C010, Rev. Oct. 8, 1996.

*Primary Examiner*—B. J. Bullock

(74) *Attorney, Agent, or Firm*—Pearne & Gordon LLP

(57) **CLAIM**

The ornamental design for a self-piercing clinch nut, as shown and described.

**DESCRIPTION**

FIG. 1 is a perspective view of a self-piercing clinch nut including a plurality of lugs angularly spaced about a central pilot, showing our new design;

FIG. 2 is a top plan view thereof;

FIG. 3 is a vertical cross-sectional view taken along line 3—3 of FIG. 2;

FIG. 4 is a bottom plan view; and,

FIG. 5 is a side elevational view.

**1 Claim, 1 Drawing Sheet**

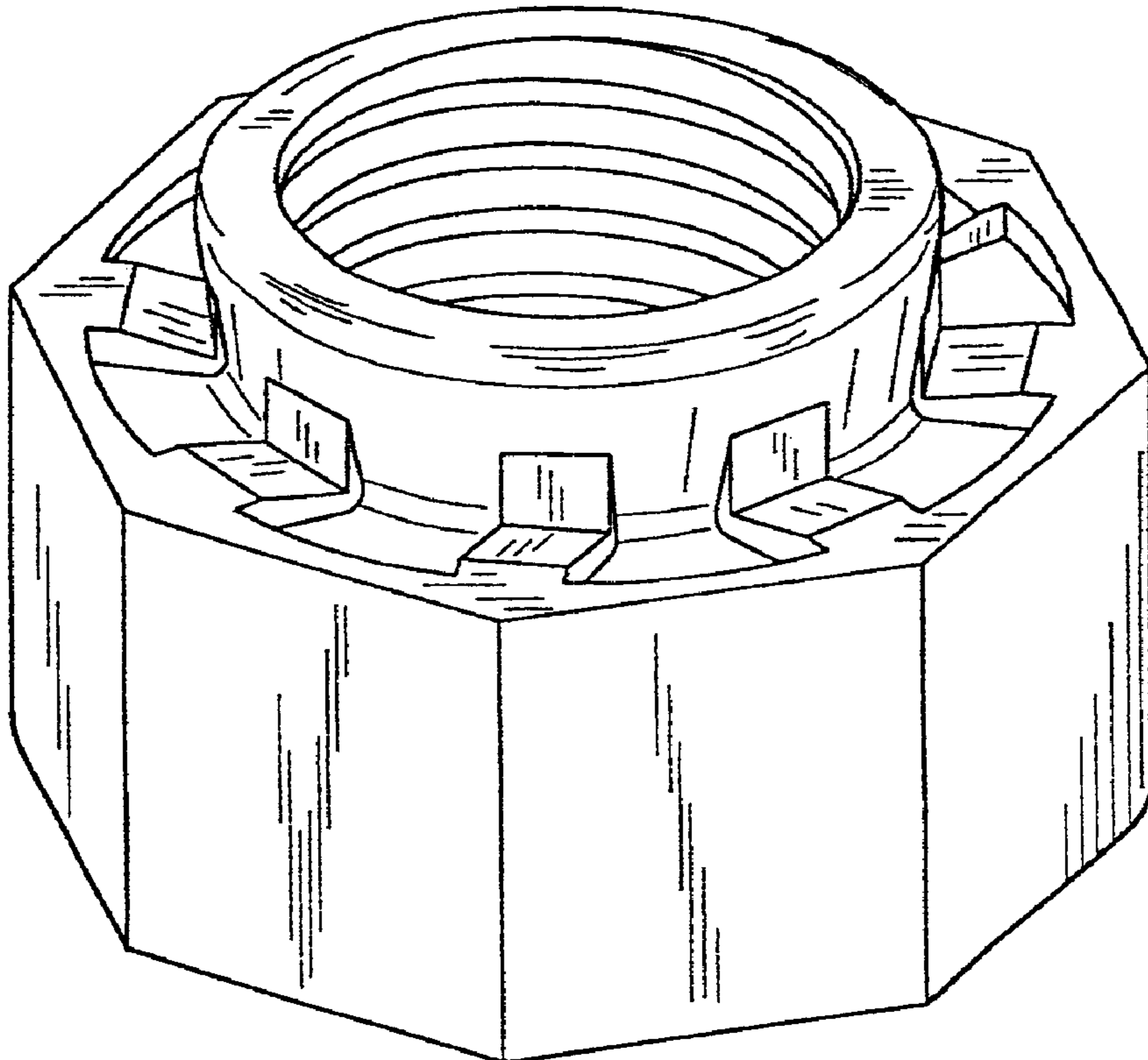


FIG. 1

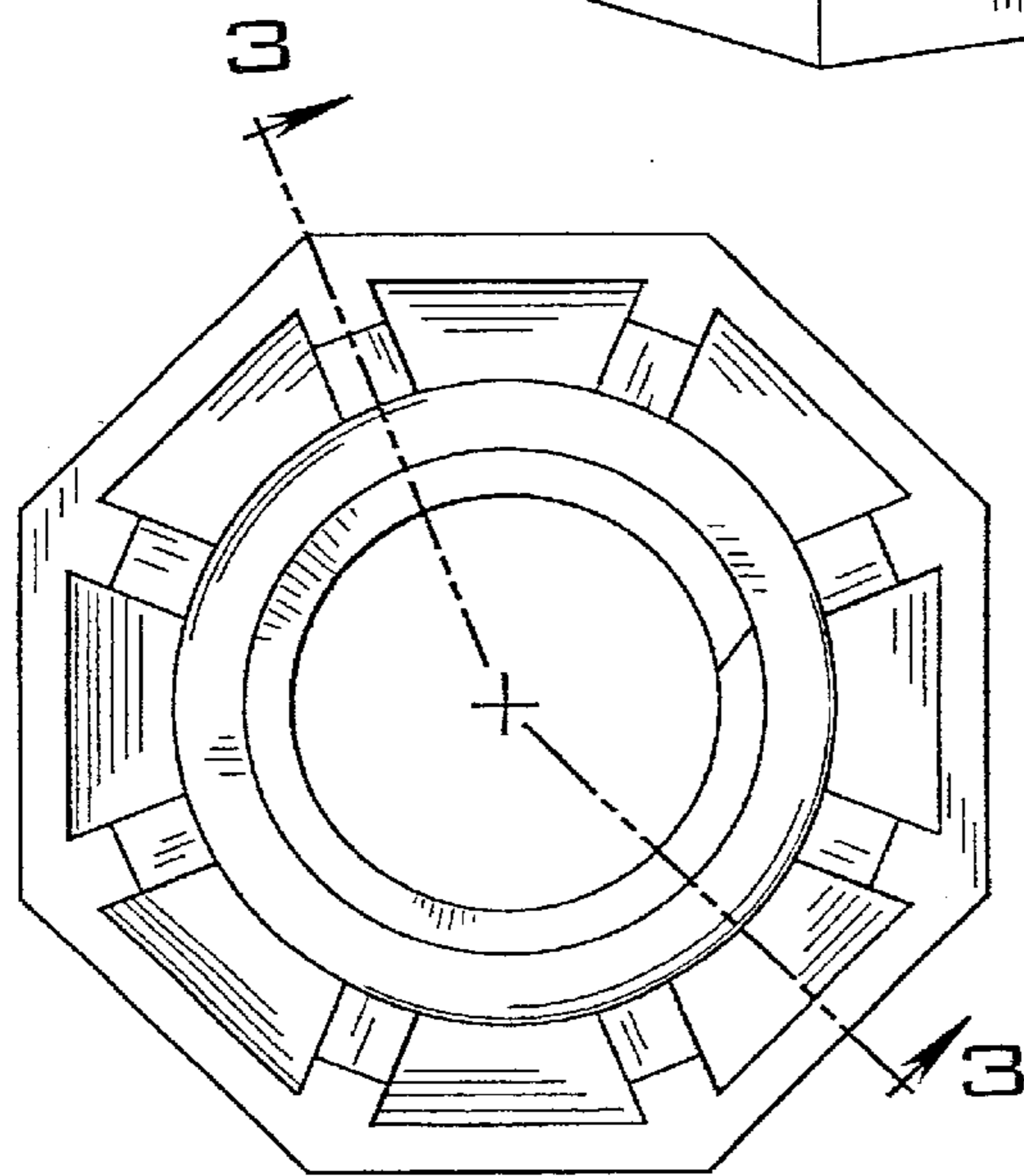
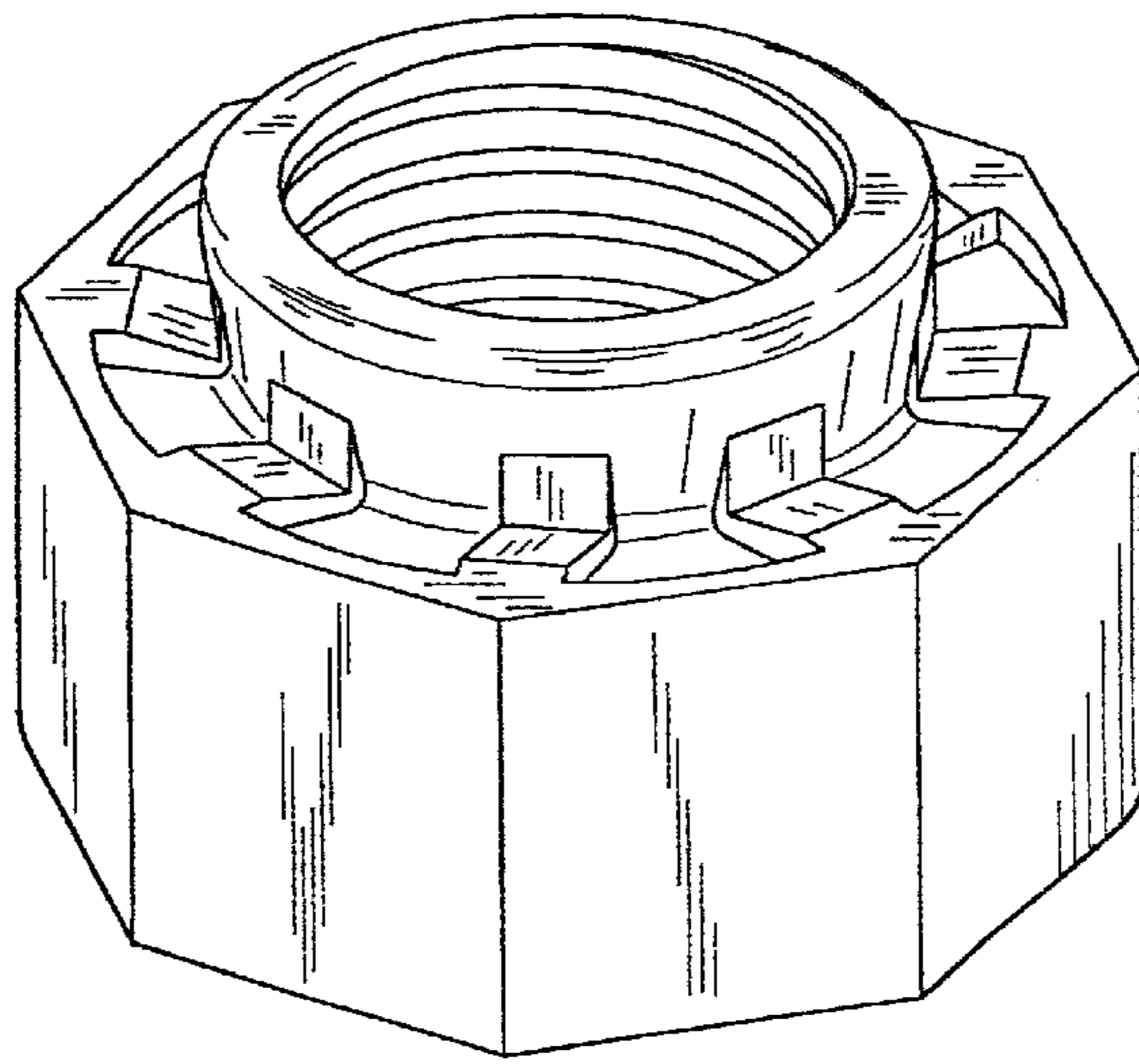


FIG. 2

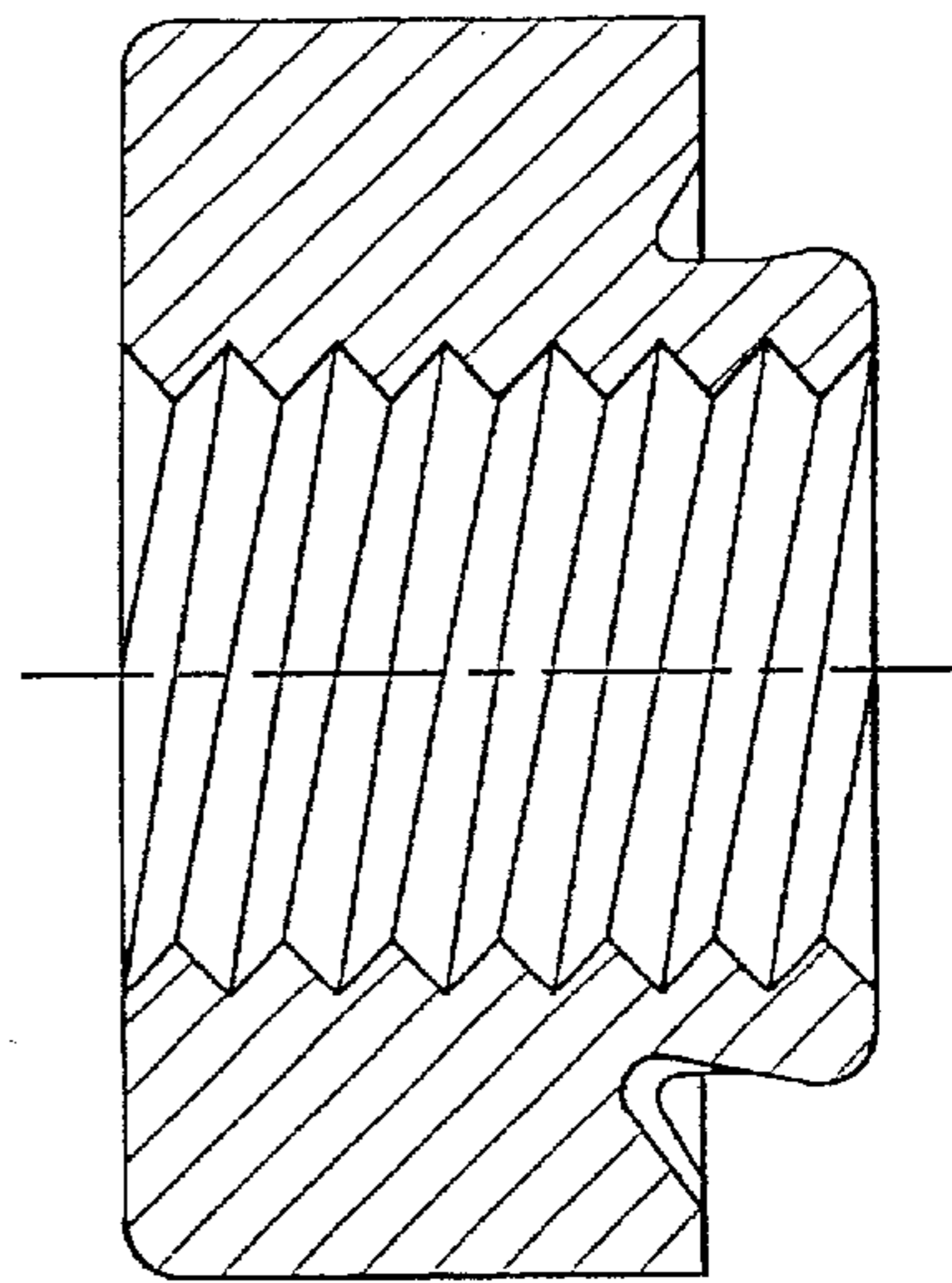


FIG. 3

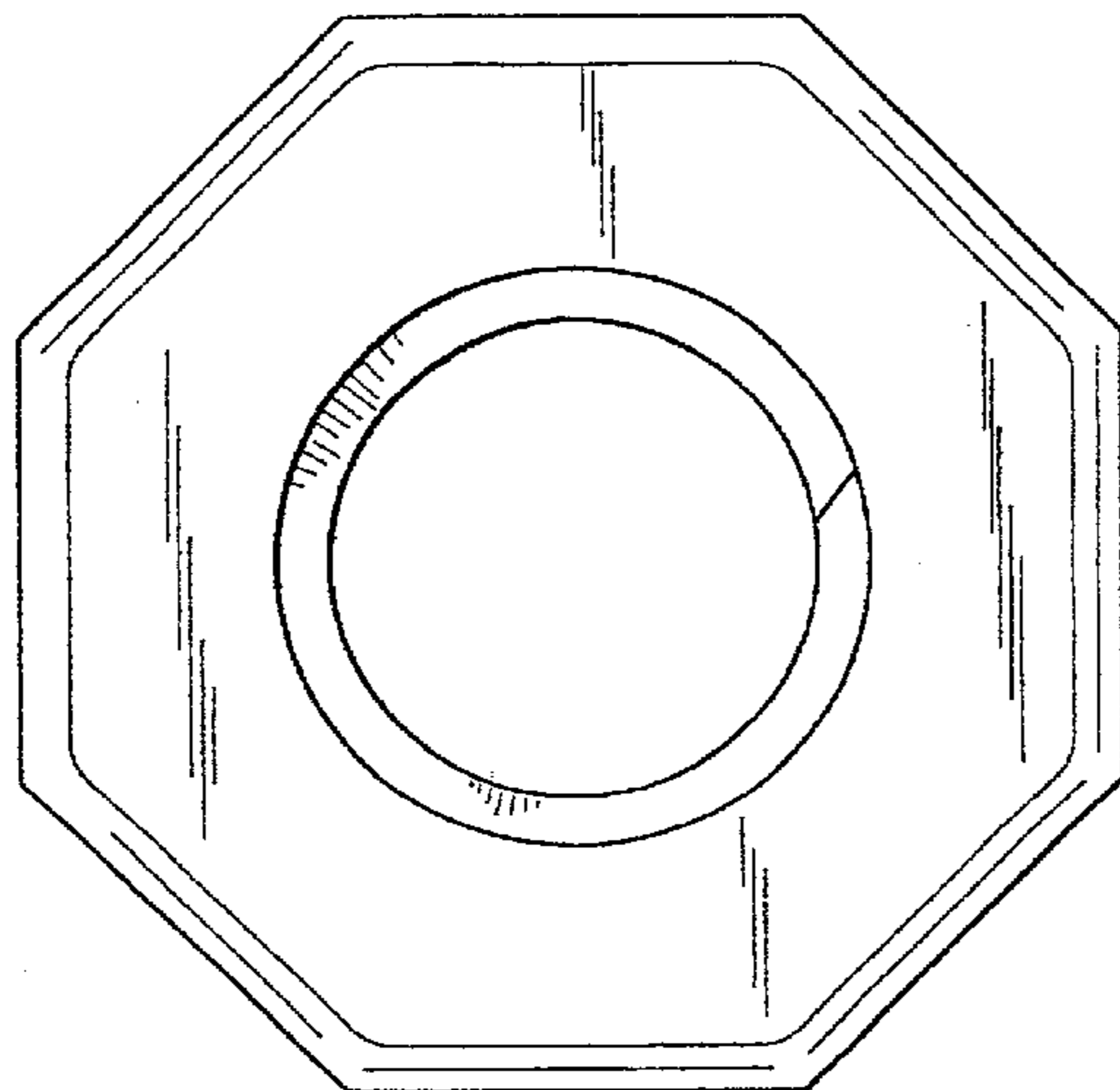


FIG. 4

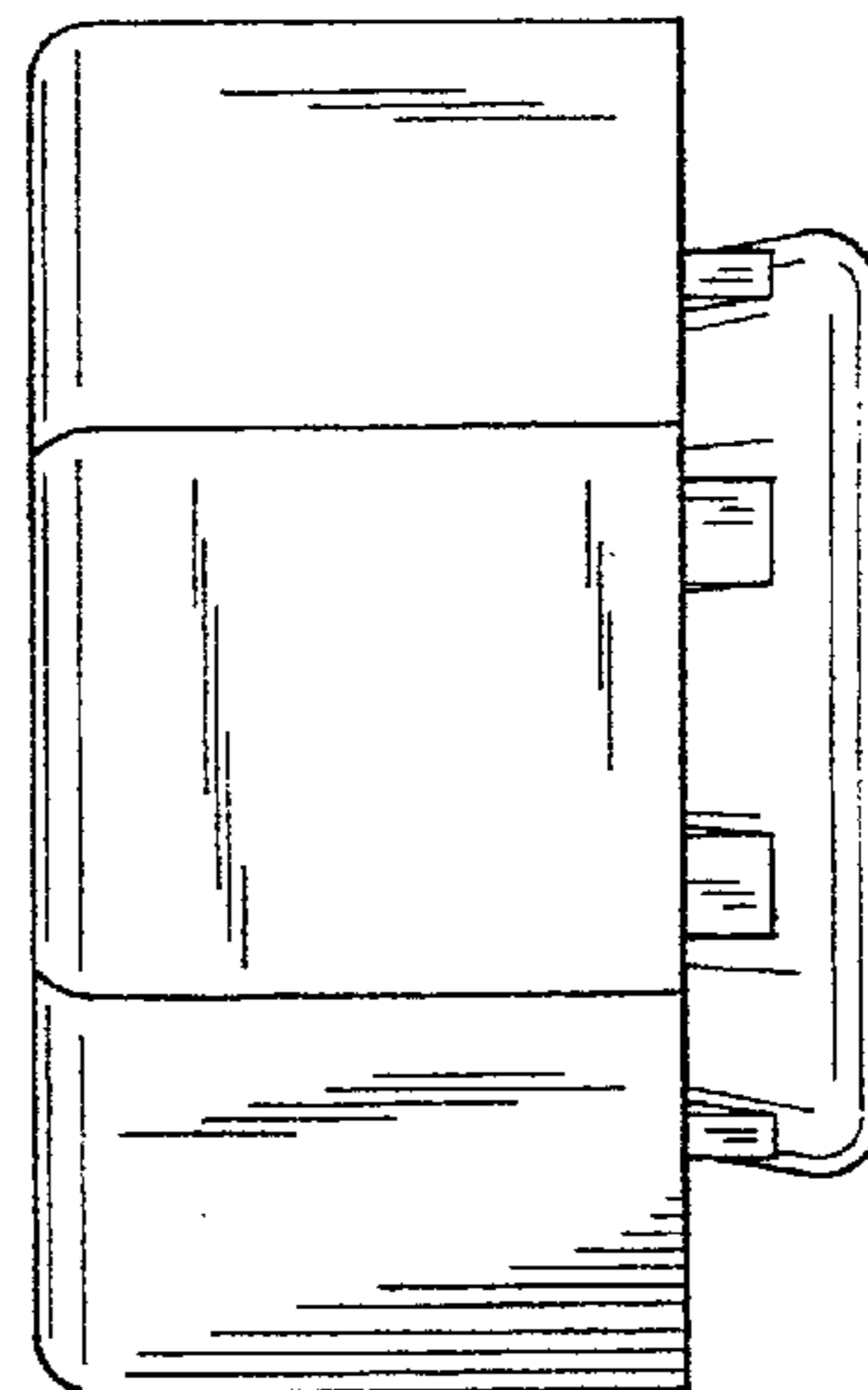


FIG. 5