



US00D454055S

(12) **United States Design Patent**  
**Belokin et al.**

(10) **Patent No.:** **US D454,055 S**

(45) **Date of Patent:** **\*\* Mar. 5, 2002**

(54) **DISPLAY HOOK**

D322,361 S \* 12/1991 Goodman et al. .... D6/323  
D420,567 S \* 2/2000 Laga et al. .... D8/373

(76) Inventors: **Paul Belokin; Martin P. Belokin**, both  
of 7801 I-35 North, Denton, TX (US)  
76202; **Norman P. Belokin**, 1606 Oak  
Ridge Dr., Corinth, TX (US) 76205

\* cited by examiner

*Primary Examiner*—Pamela Burgess  
(74) *Attorney, Agent, or Firm*—Jack A. Kanz

(\*\*) Term: **14 Years**

(57) **CLAIM**

(21) Appl. No.: **29/148,588**

The ornamental design for a display hook, as shown and  
described.

(22) Filed: **Sep. 24, 2001**

**DESCRIPTION**

(51) **LOC (7) Cl.** ..... **08-05**

(52) **U.S. Cl.** ..... **D8/373**

(58) **Field of Search** ..... D8/367, 369, 370,  
D8/371, 372, 352; D6/323, 324, 320, 566,  
567, 547, 580; 160/349.1, 349.2, 348, 388,  
384; 248/489, 301, 304, 339, 215

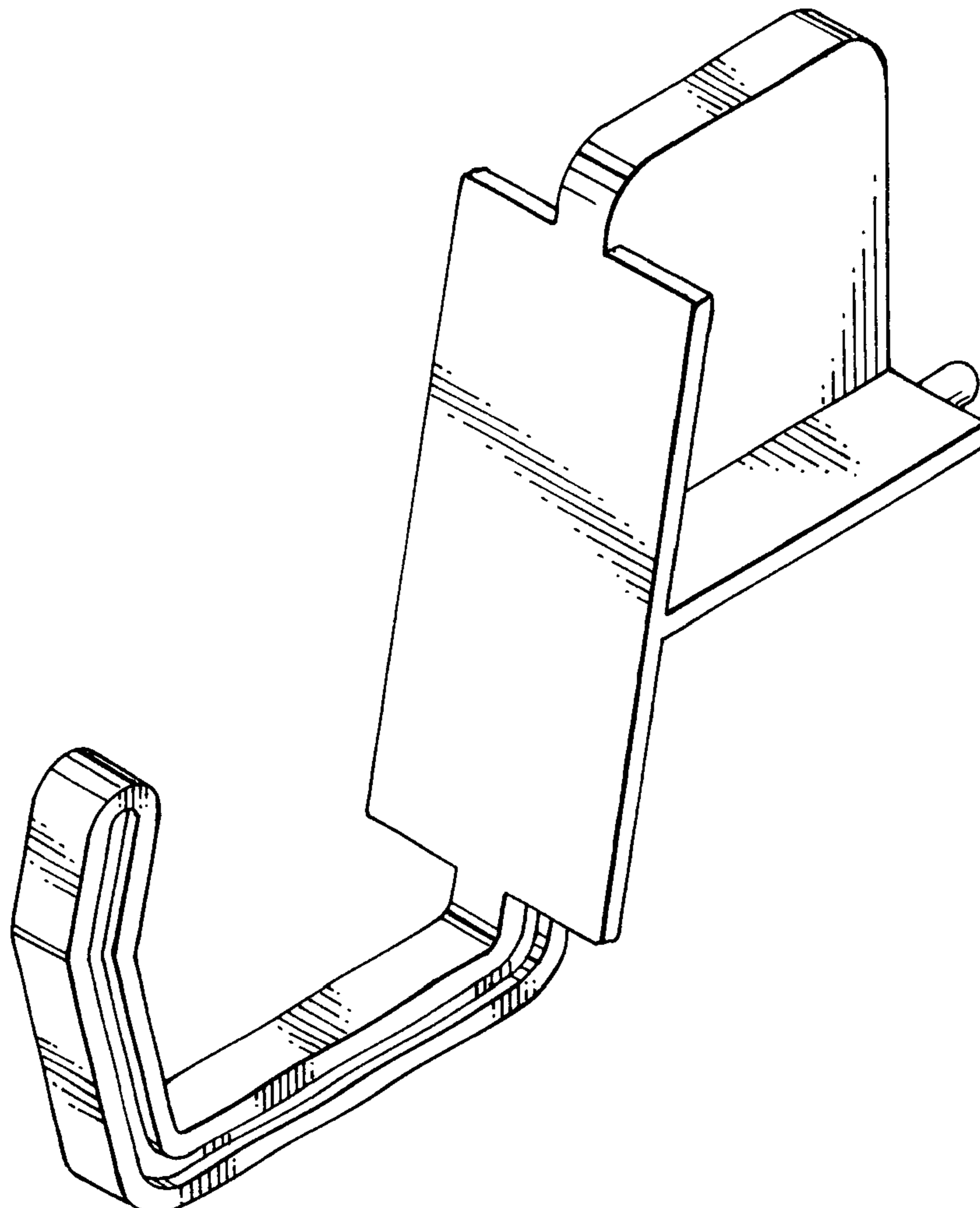
FIG. 1 is a front perspective view of a display hook showing  
our new design;  
FIG. 2 is a top plan view thereof;  
FIG. 3 is a side elevational view of the left-hand side thereof,  
the right-hand side view being a mirror image of FIG. 3;  
FIG. 4 is a rear elevation view thereof; and  
FIG. 5 is a front elevational view thereof; and,  
FIG. 6 is a bottom plan view of our new design for a display  
hook.

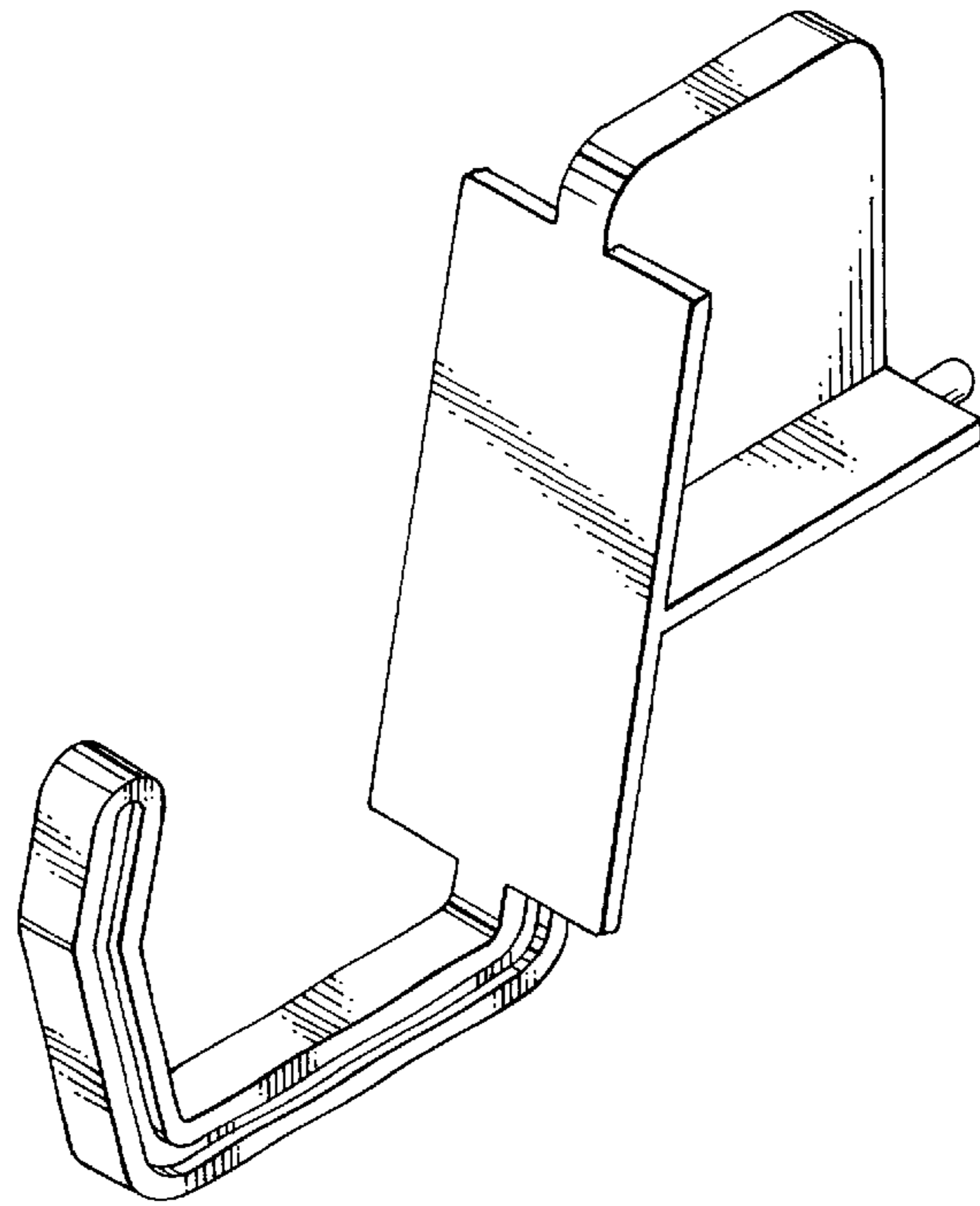
(56) **References Cited**

**U.S. PATENT DOCUMENTS**

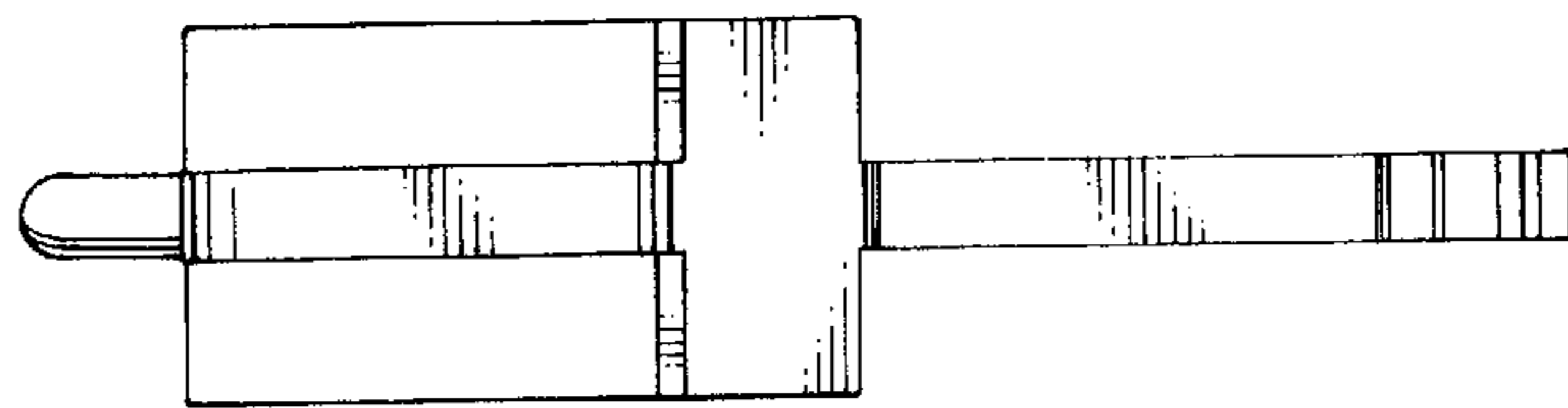
D312,959 S \* 12/1990 Hamann ..... D8/367

**1 Claim, 1 Drawing Sheet**

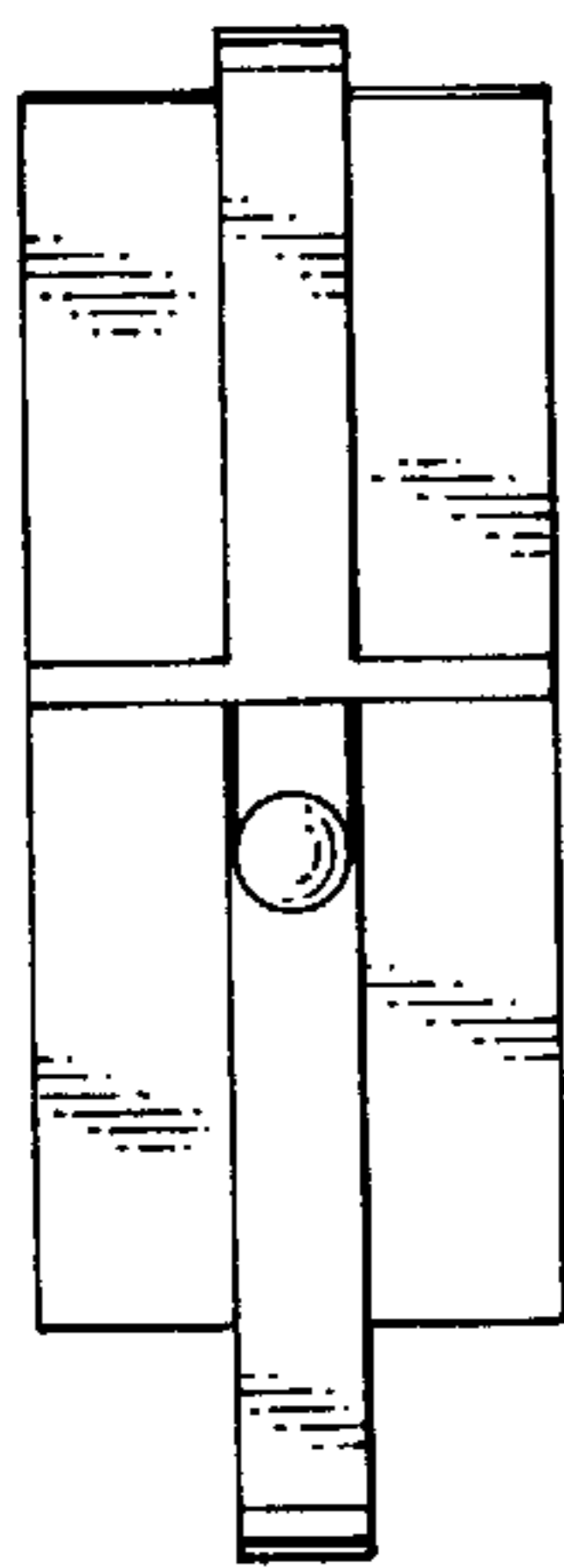




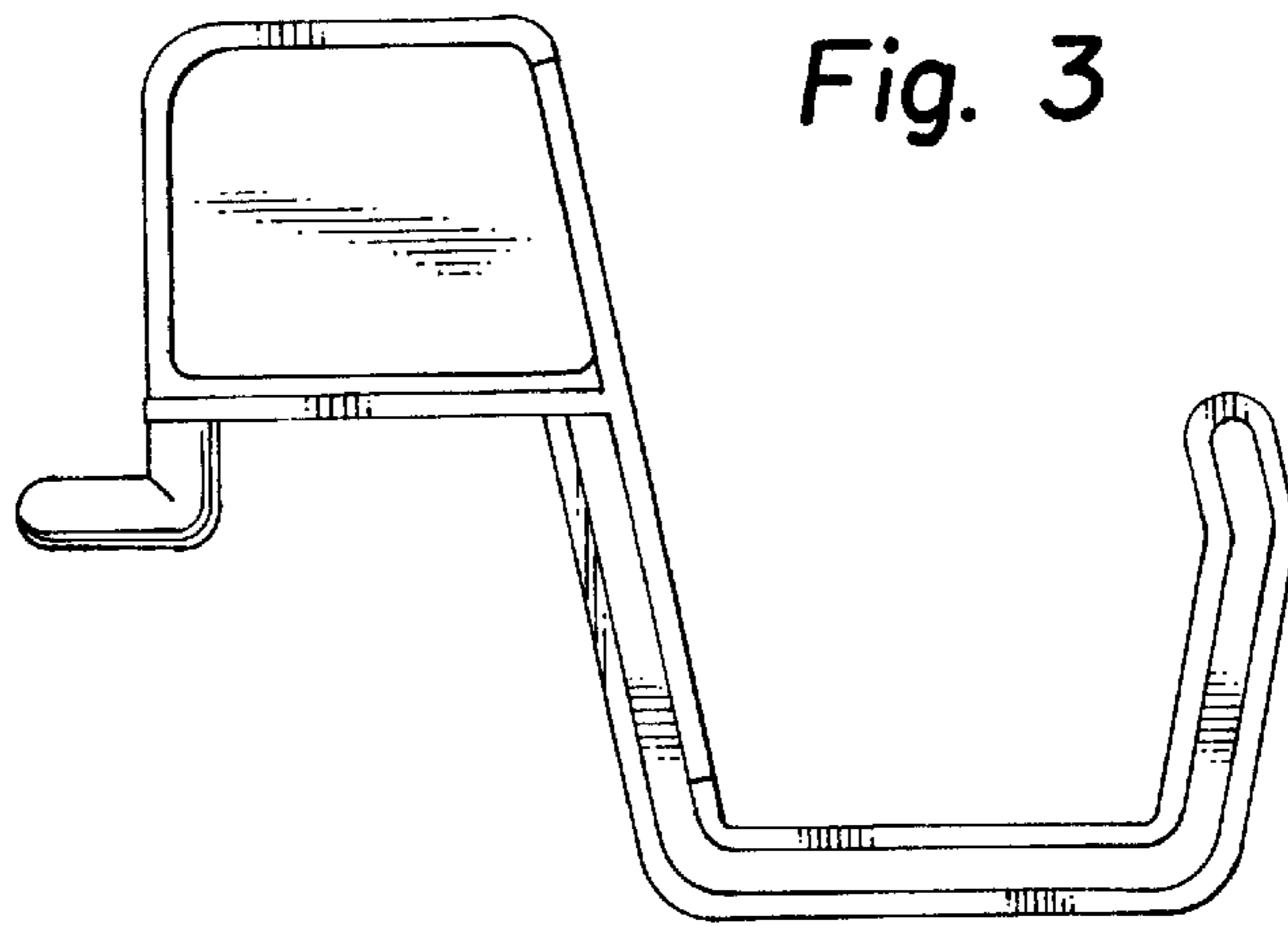
*Fig. 1*



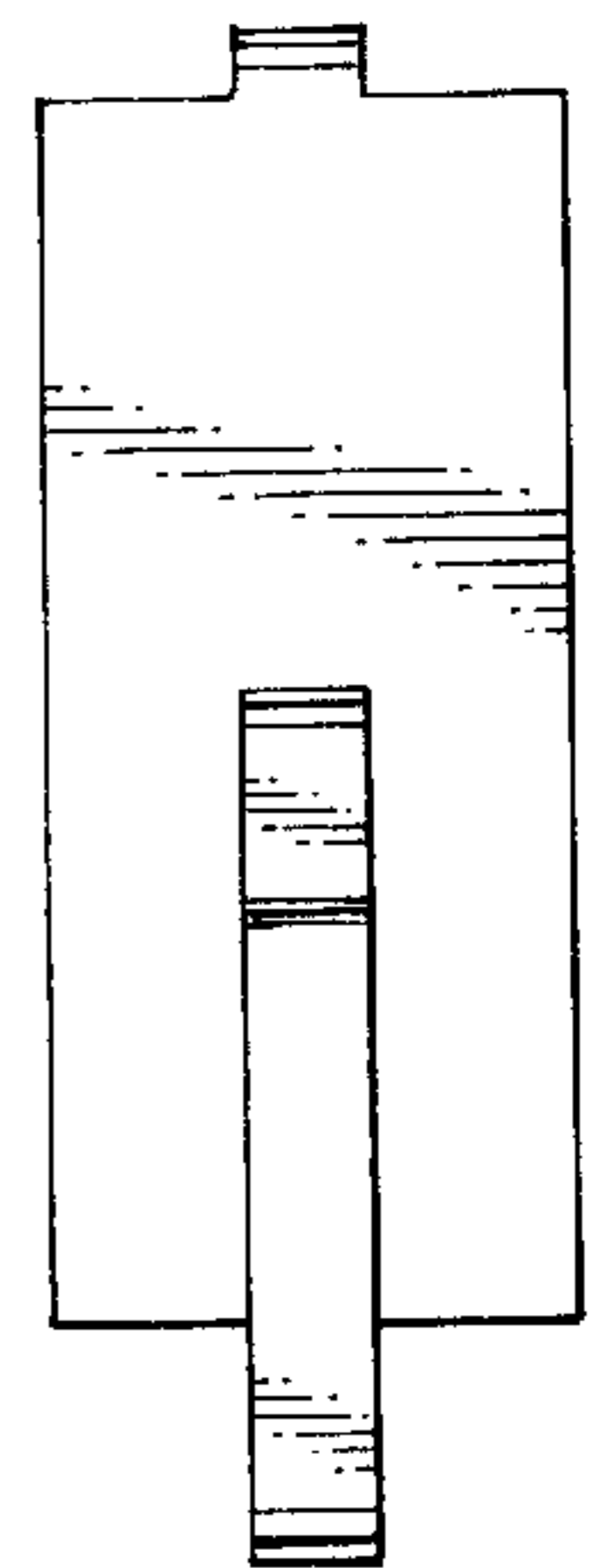
*Fig. 2*



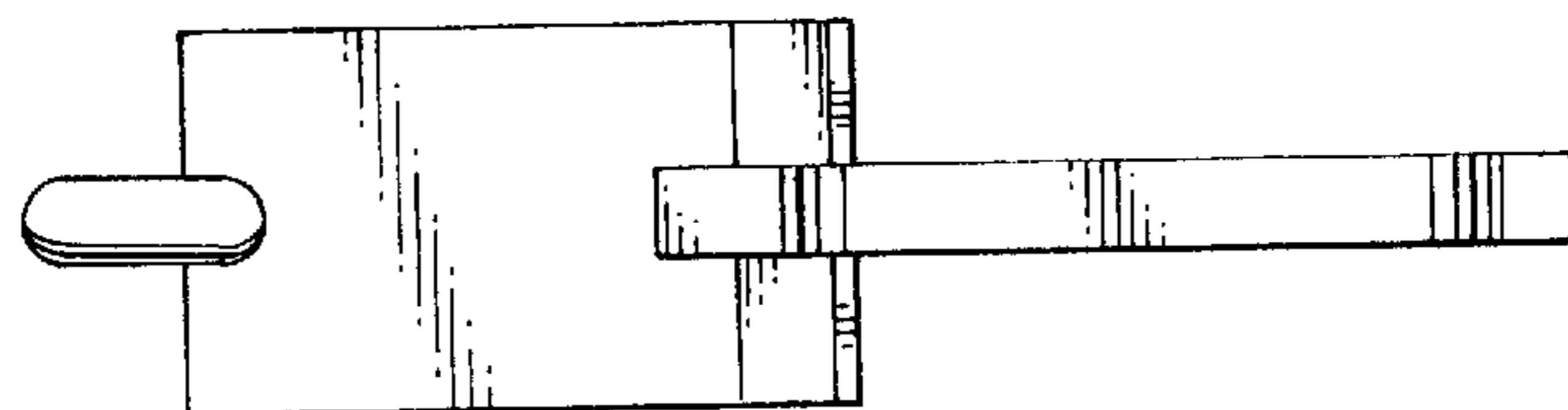
*Fig. 4*



*Fig. 3*



*Fig. 5*



*Fig. 6*