



US00D454053S

(12) **United States Design Patent**  
**Wong**

(10) **Patent No.:** **US D454,053 S**

(45) **Date of Patent:** **\*\* Mar. 5, 2002**

(54) **AUTOMATIC WASHING LINE**

(76) **Inventor:** **Yan Kwong Wong**, Flat 1016-17, 10th Floor, Metro Centre II, 21 Lam Hing Street, Kowloon Bay, Kowloon (HK)

(\*\*) **Term:** **14 Years**

(21) **Appl. No.:** **29/127,941**

(22) **Filed:** **Aug. 15, 2000**

(30) **Foreign Application Priority Data**

Feb. 15, 2000 (HK) ..... 0010174

(51) **LOC (7) Cl.** ..... **08-05**

(52) **U.S. Cl.** ..... **D8/356**

(58) **Field of Search** ..... D8/356, 358, 360.1, D8/359; 248/49, 68.1; 242/395, 376, 400.1, 405.2, 405.3, 398, 406, 405, 402; 191/12.4, 12.2 R; 174/93; D6/456

(56) **References Cited**

**U.S. PATENT DOCUMENTS**

4,073,449 A \* 2/1978 Pilat ..... 242/377

4,908,482 A \* 3/1990 Shimirak et al. .... 174/93

D347,950 S \* 6/1994 Cisero et al. .... D6/456

5,613,648 A \* 3/1997 Paavila ..... 242/405

\* cited by examiner

*Primary Examiner*—Pamela Burgess

(74) *Attorney, Agent, or Firm*—Salter & Michaelson

(57) **CLAIM**

The ornamental design for an automatic washing line, as shown and described.

**DESCRIPTION**

FIG. 1 is a perspective view of an automatic washing line showing my new design;

FIG. 2 is a top plan view thereof;

FIG. 3 is a bottom plan view thereof;

FIG. 4 is a front elevational view thereof;

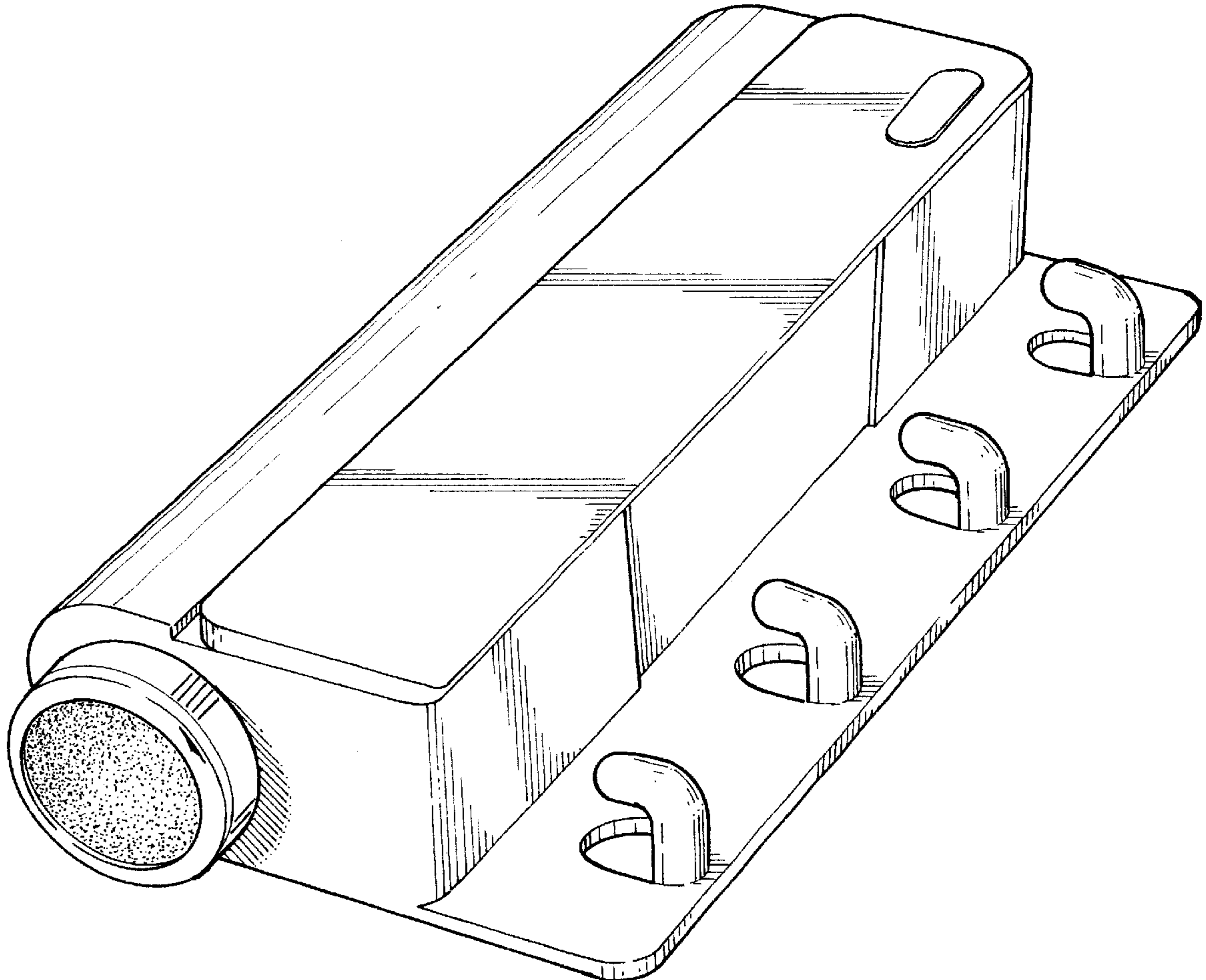
FIG. 5 is a rear elevational view thereof;

FIG. 6 is a left side elevational view thereof; and,

FIG. 7 is a right side elevational view thereof.

The portions shown in broken lines are included for illustrative purposes only and form no part of the claimed design.

**1 Claim, 5 Drawing Sheets**



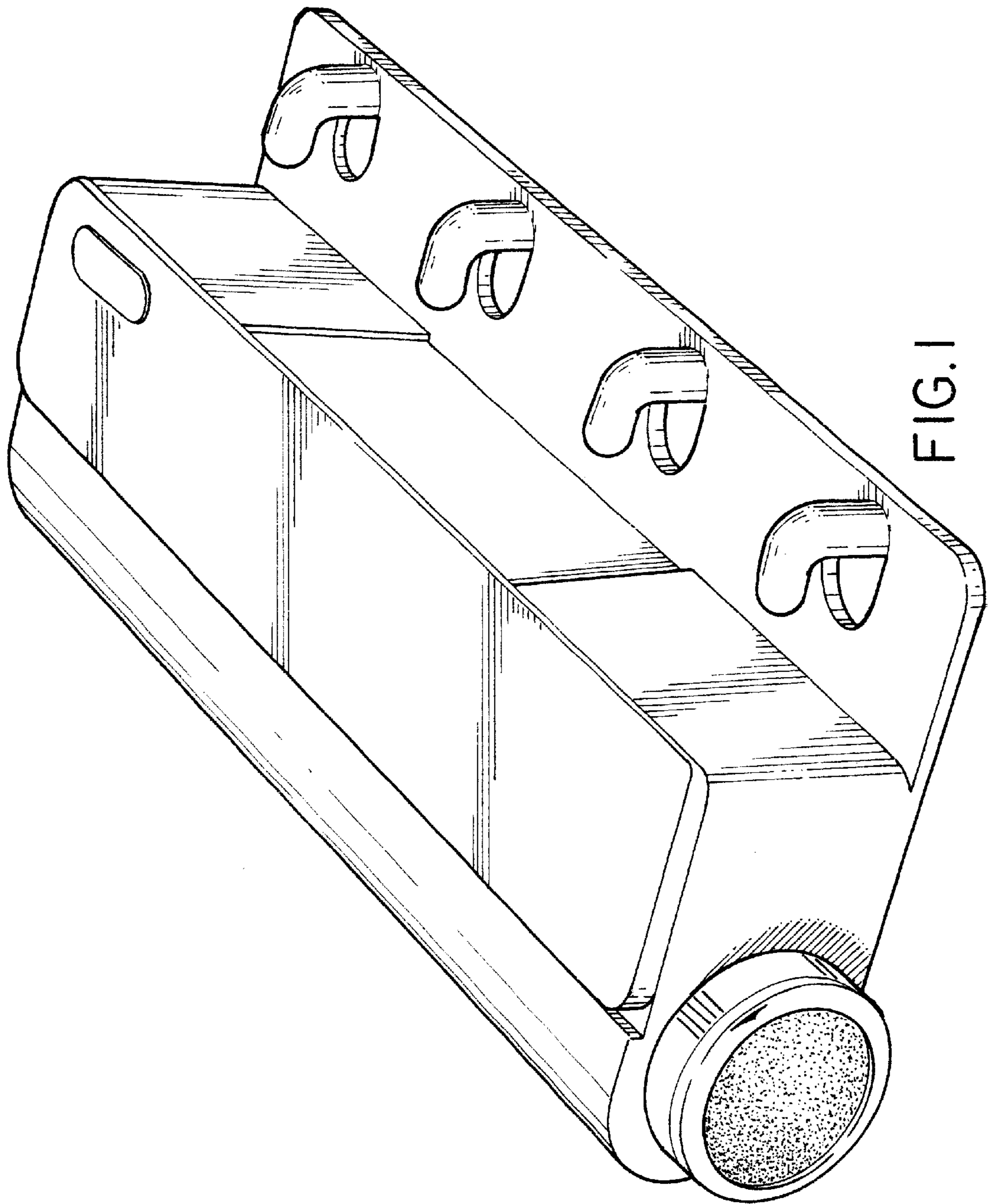


FIG.1

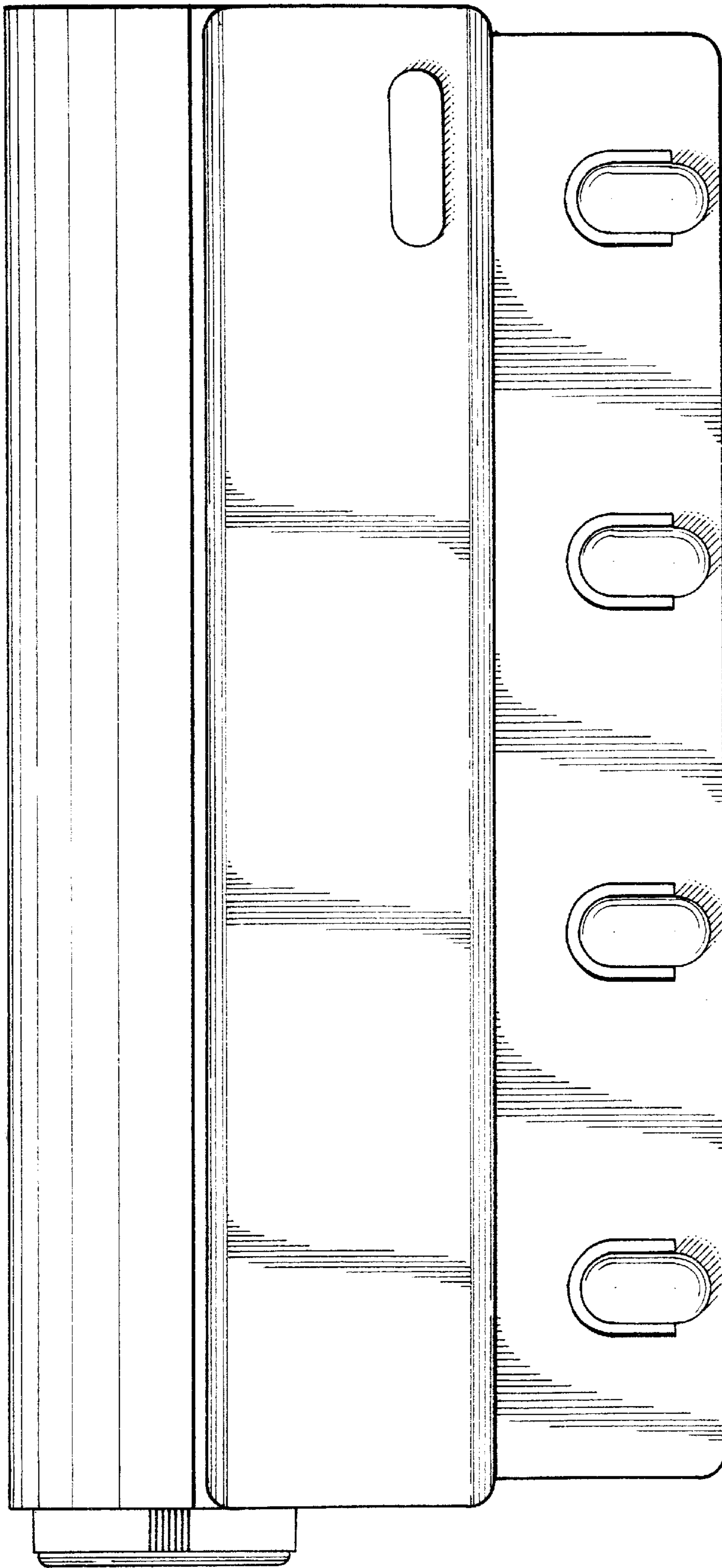


FIG. 2



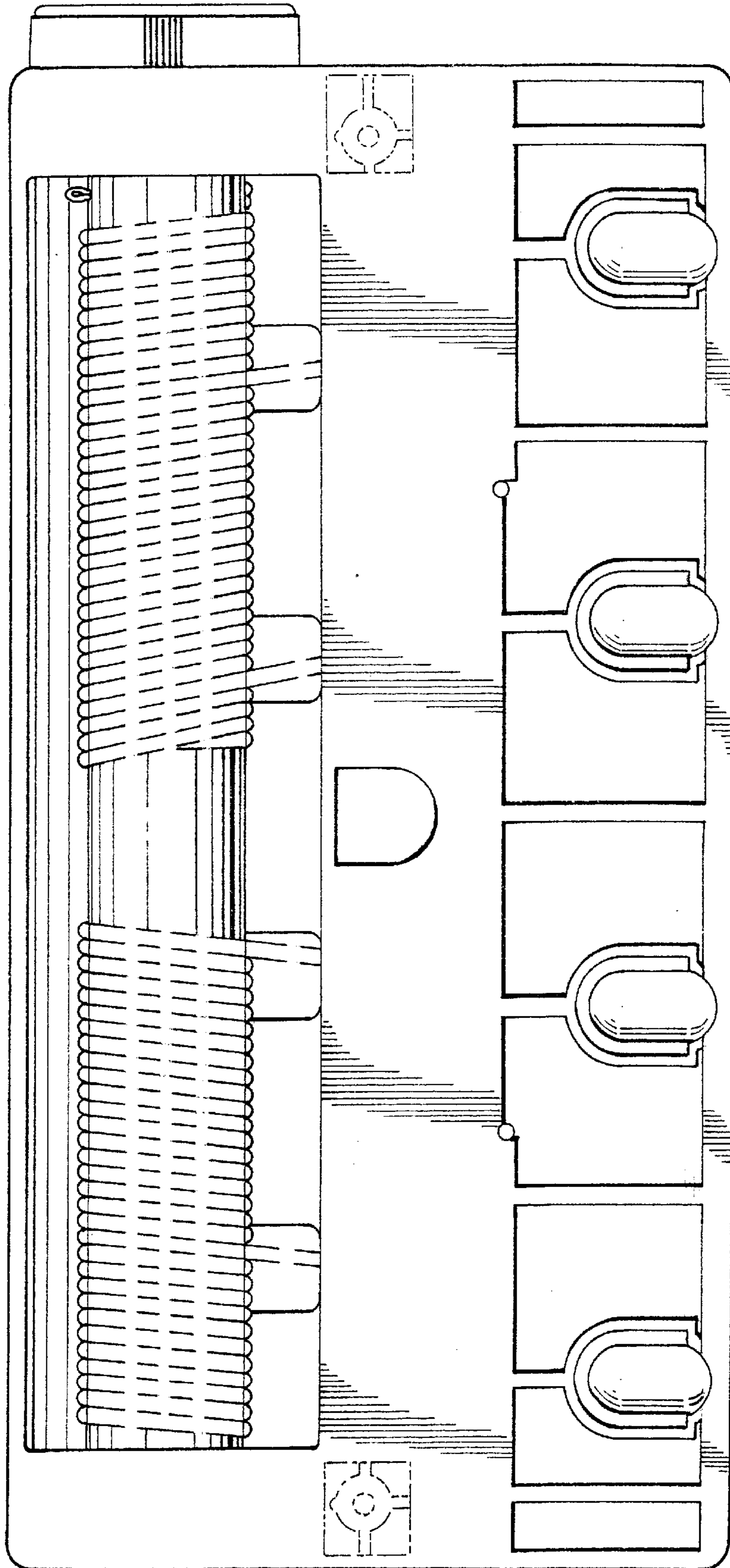


FIG. 3

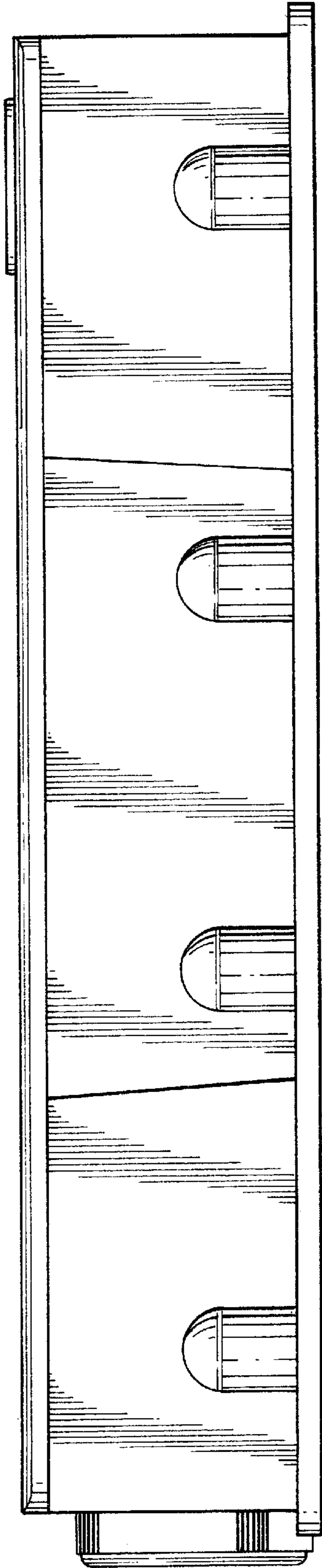


FIG. 4

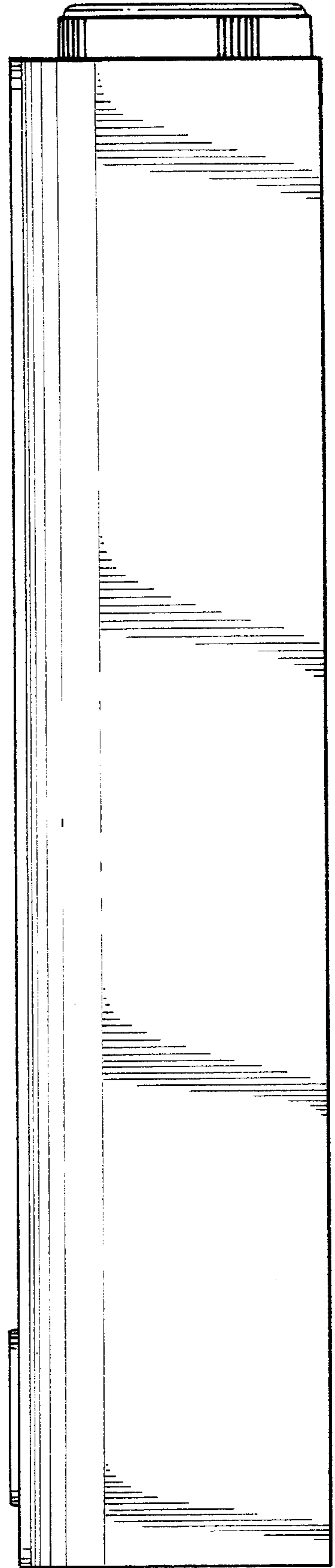


FIG. 5

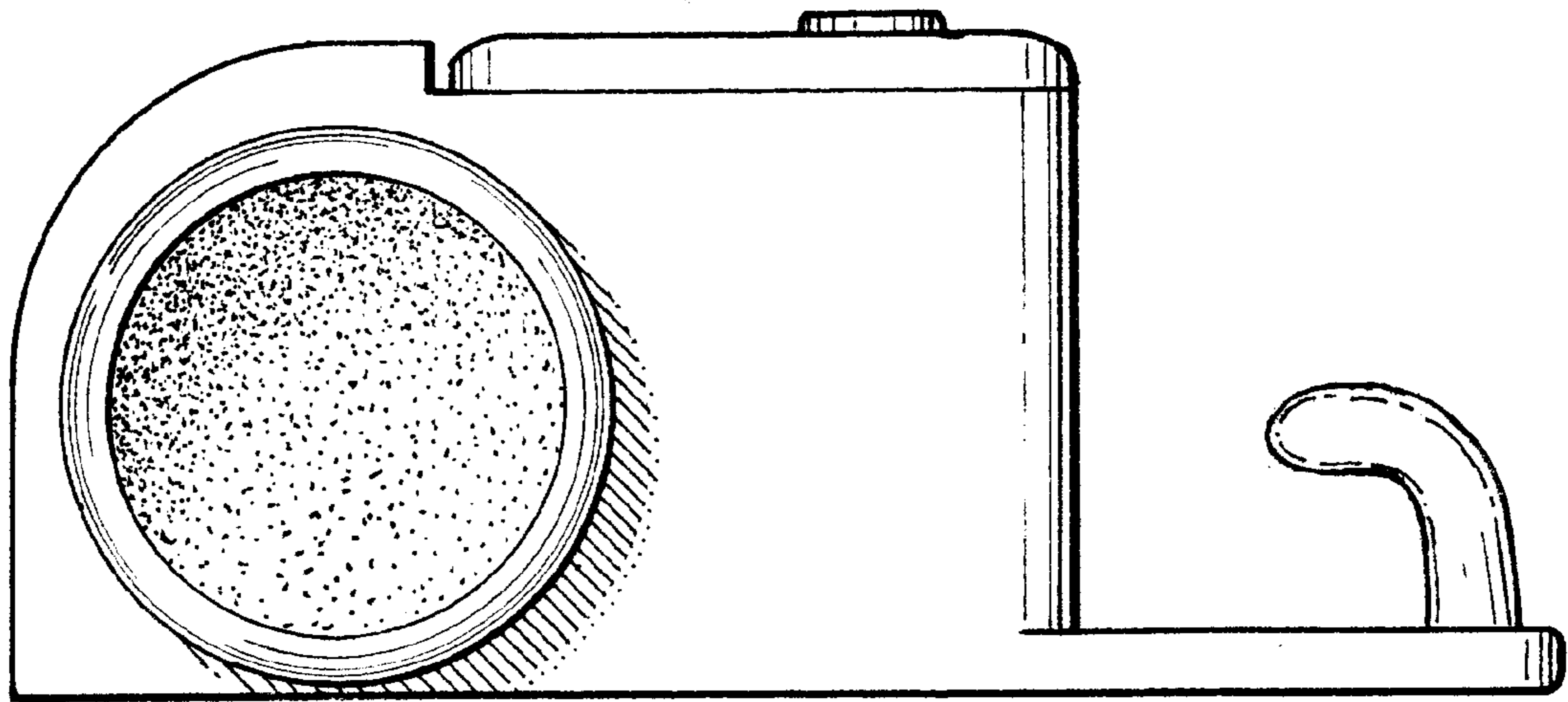


FIG. 6

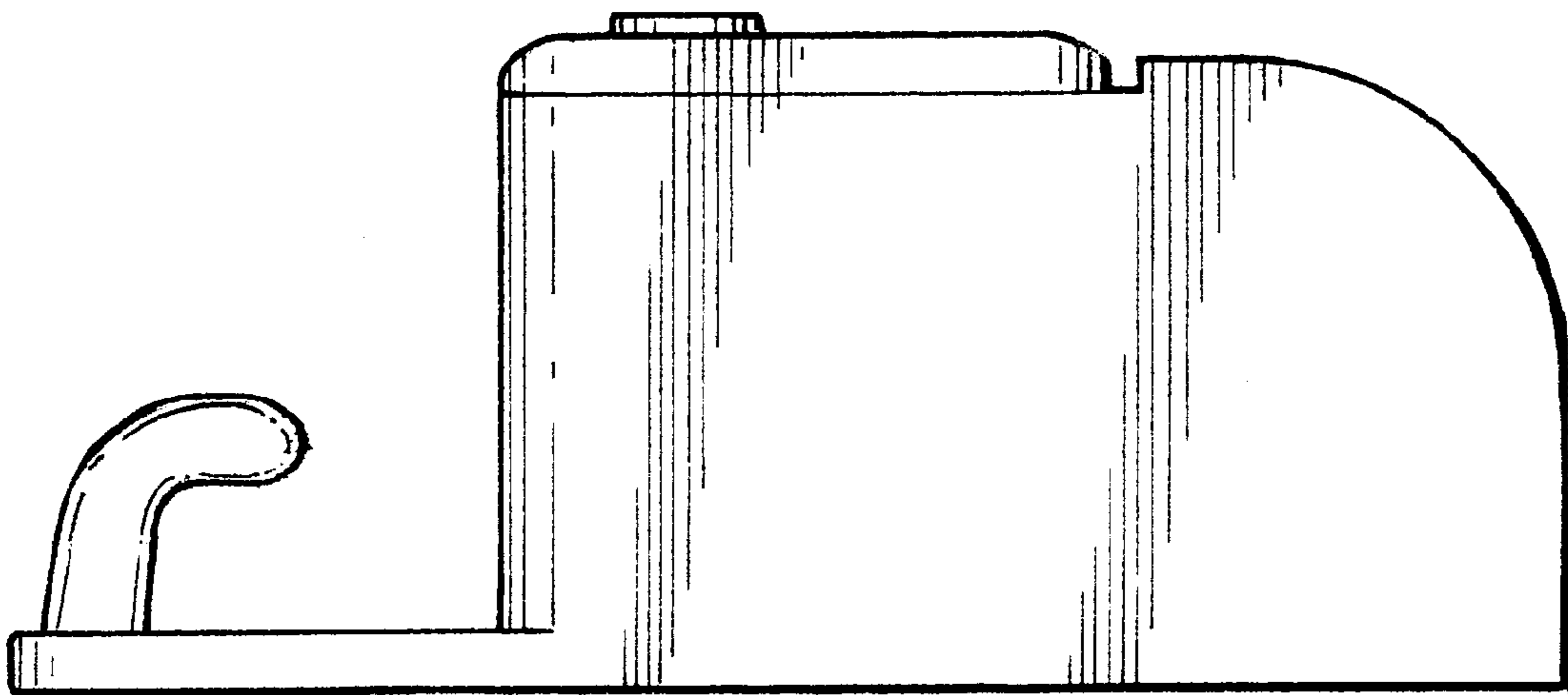


FIG. 7