



US00D454051S

(12) **United States Design Patent**  
**Drake**

(10) **Patent No.:** **US D454,051 S**

(45) **Date of Patent:** **\*\* Mar. 5, 2002**

(54) **LIGHTED COVER FOR CIRCULAR  
PADLOCKS**

D397,026 S \* 8/1998 Drake ..... D8/346  
5,946,952 A \* 9/1999 Mintchenko ..... 70/2

(75) **Inventor:** **Robert Drake**, 17918 Lull St., Reseda,  
CA (US) 91335

\* cited by examiner

*Primary Examiner*—Jennifer Rivard

(73) **Assignee:** **Robert Drake**, Reseda, CA (US)

(57) **CLAIM**

(\*\*) **Term:** **14 Years**

The ornamental design for a lighted cover for circular  
padlocks, as shown.

(21) **Appl. No.:** **29/135,881**

**DESCRIPTION**

(22) **Filed:** **Jan. 22, 2001**

(51) **LOC (7) Cl.** ..... **08-07**

(52) **U.S. Cl.** ..... **D8/346**

(58) **Field of Search** ..... D8/343, 346; D26/51;  
70/14, 2, 6, 51, 52, 54, 55, 56, 431, 158,  
DIG. 56

FIG. 1 is a left, front perspective view.  
FIG. 2 is a right, rear perspective view.  
FIG. 3 is a front elevation view.  
FIG. 4 is a rear elevation view.  
FIG. 5 is a left side elevation view.  
FIG. 6 is a right side elevation view.  
FIG. 7 is a top plan view; and,  
FIG. 8 is a bottom plan view.

(56) **References Cited**

**U.S. PATENT DOCUMENTS**

5,669,255 A \* 9/1997 Albano ..... 70/56

**1 Claim, 2 Drawing Sheets**

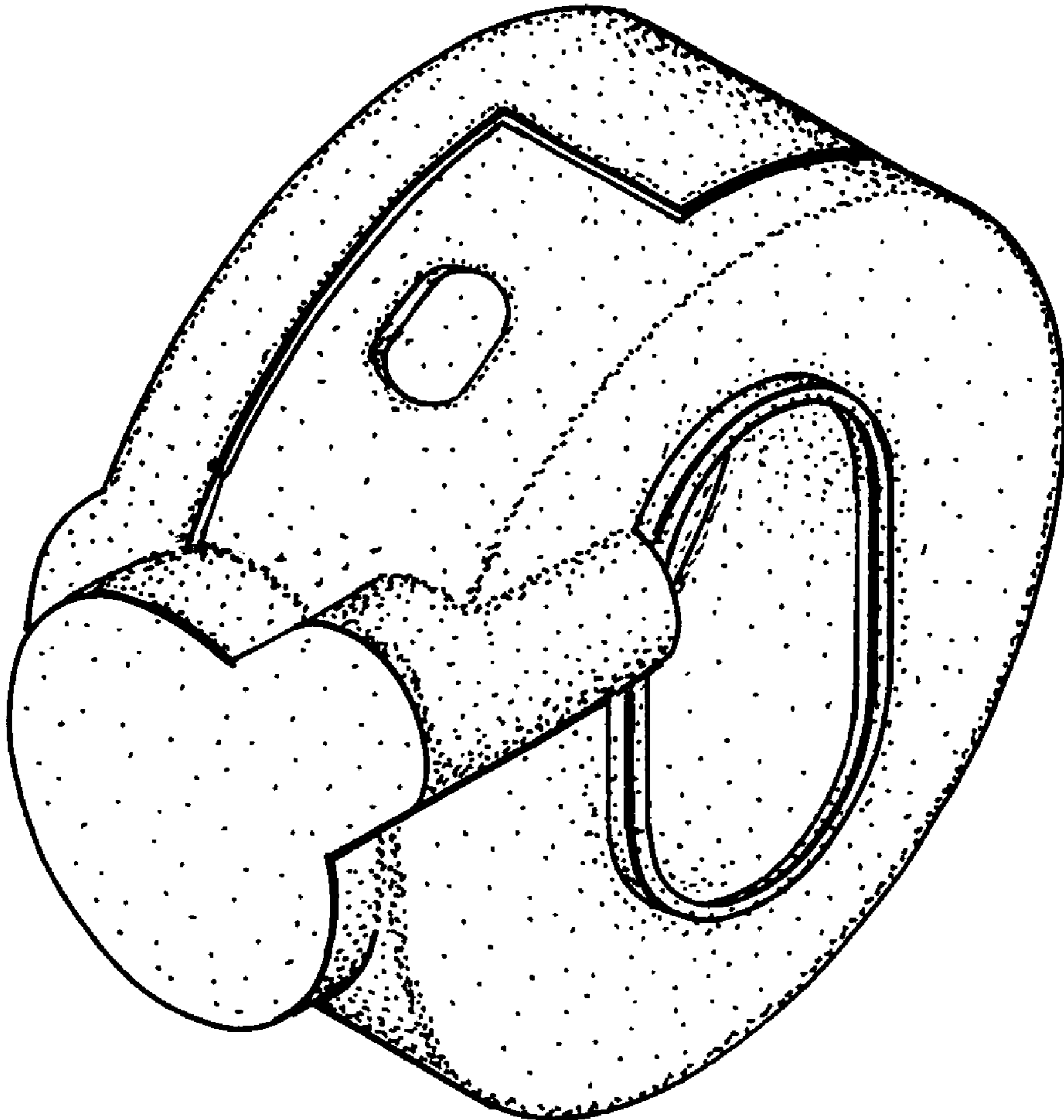


FIG. 1

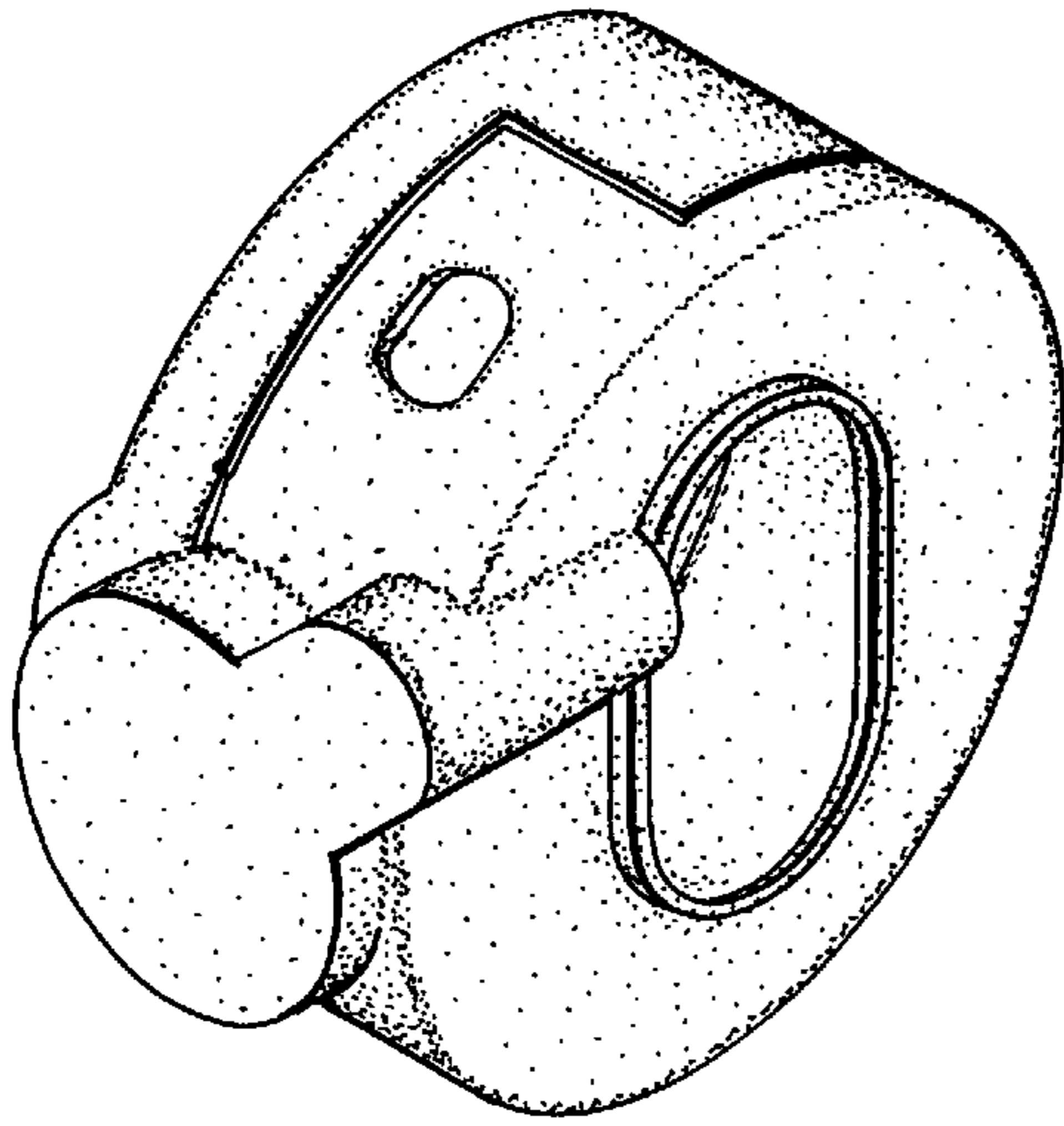


FIG. 2

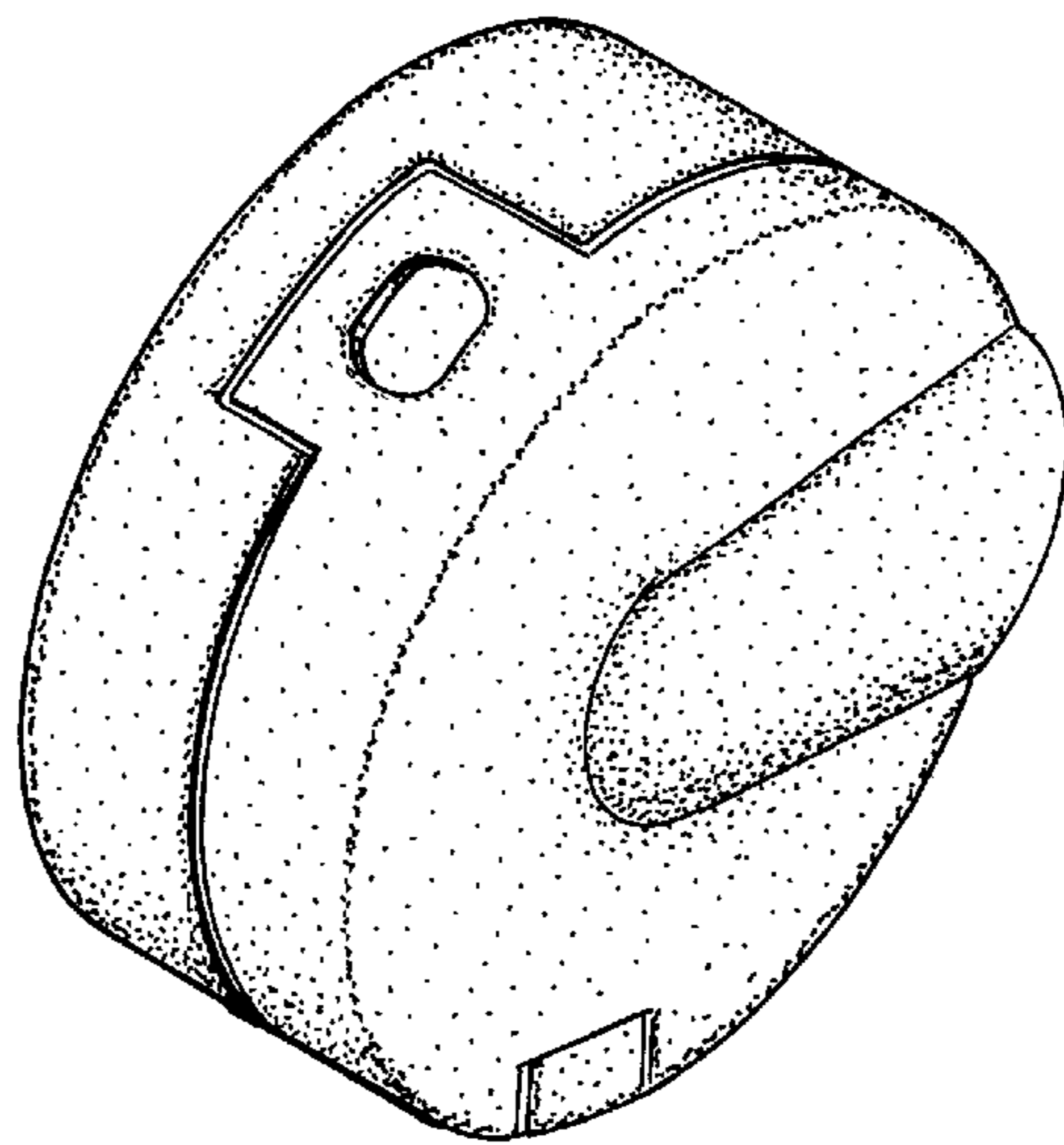


FIG. 3

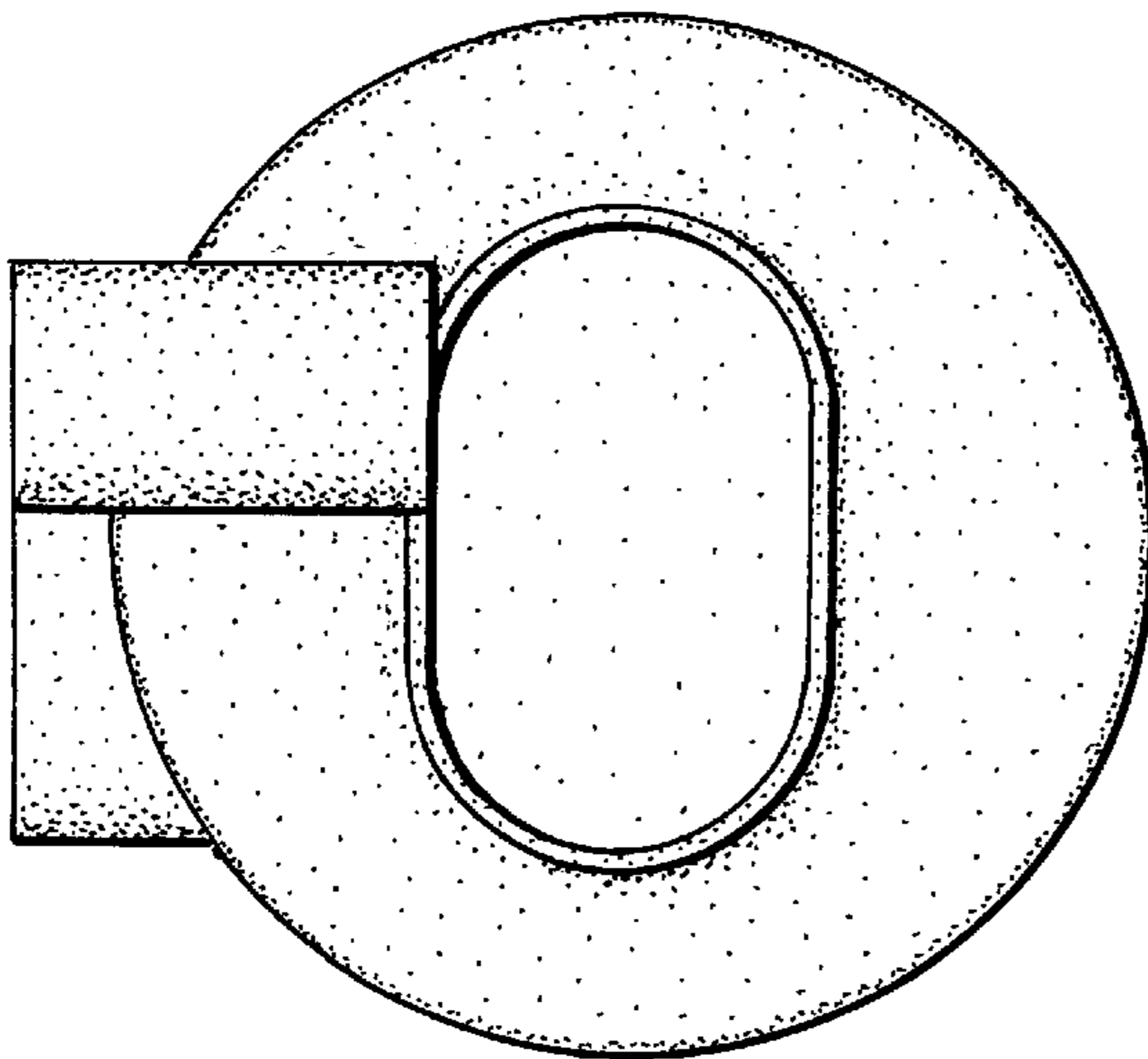


FIG. 4

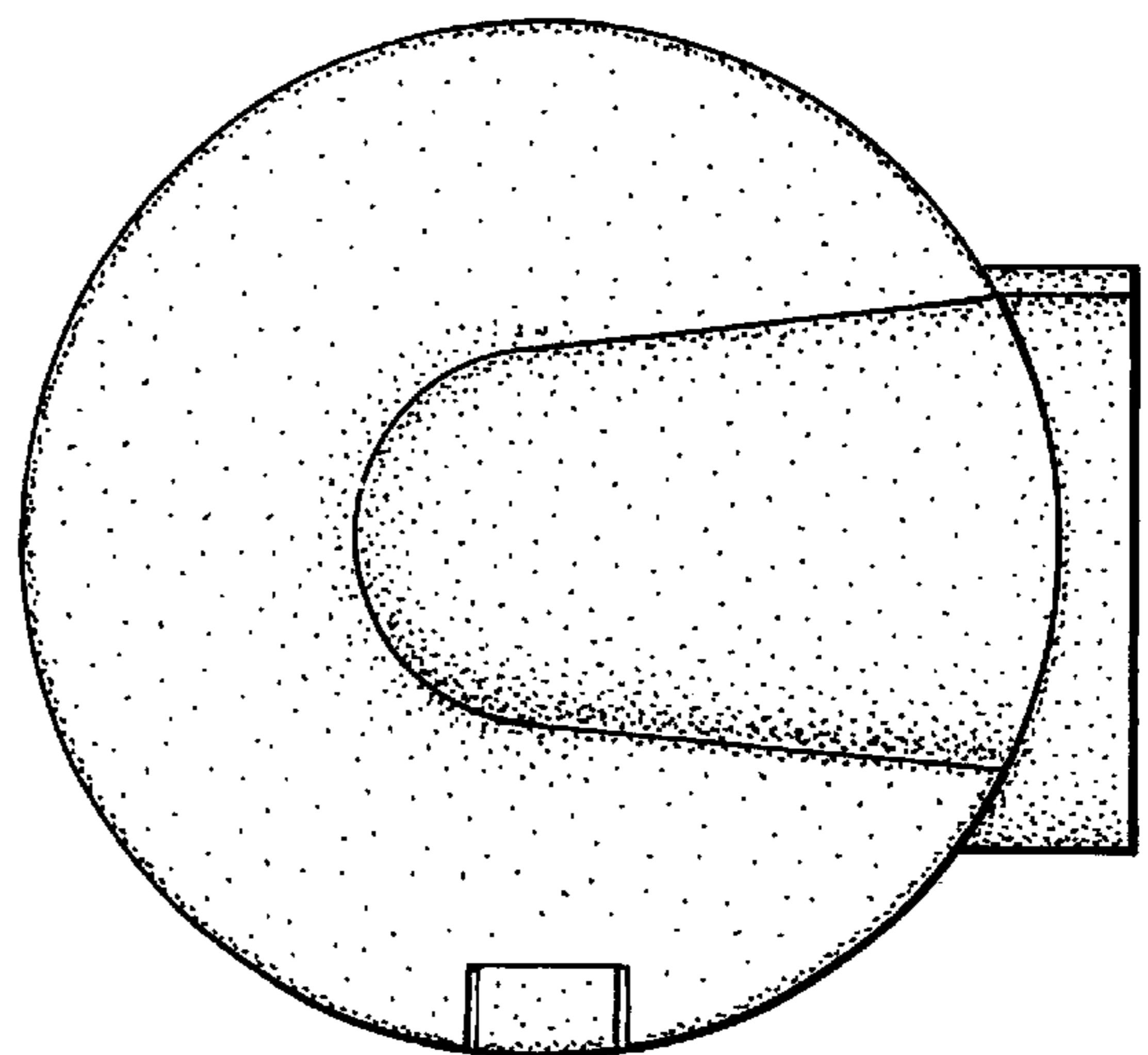


FIG. 5

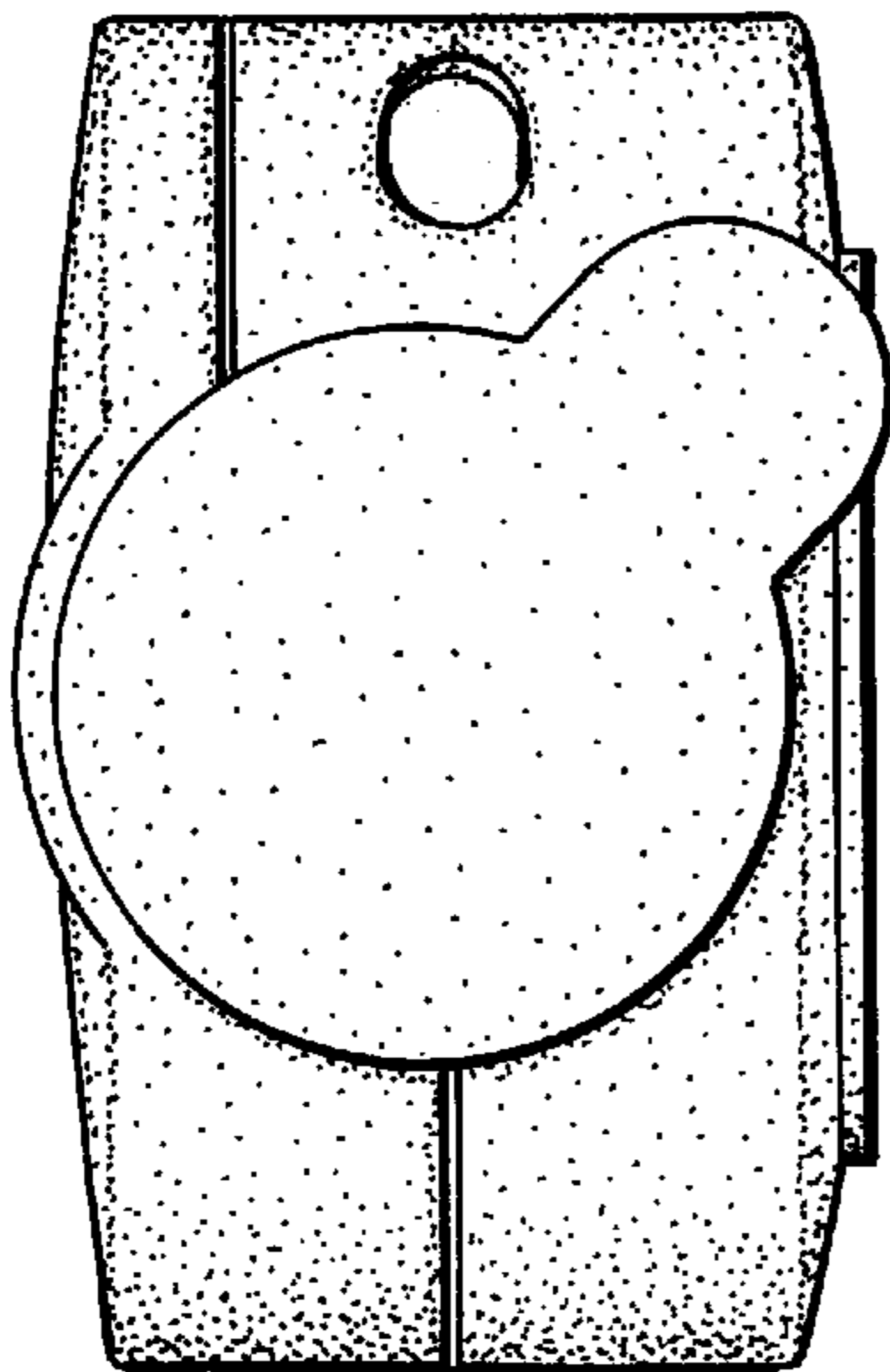


FIG. 6

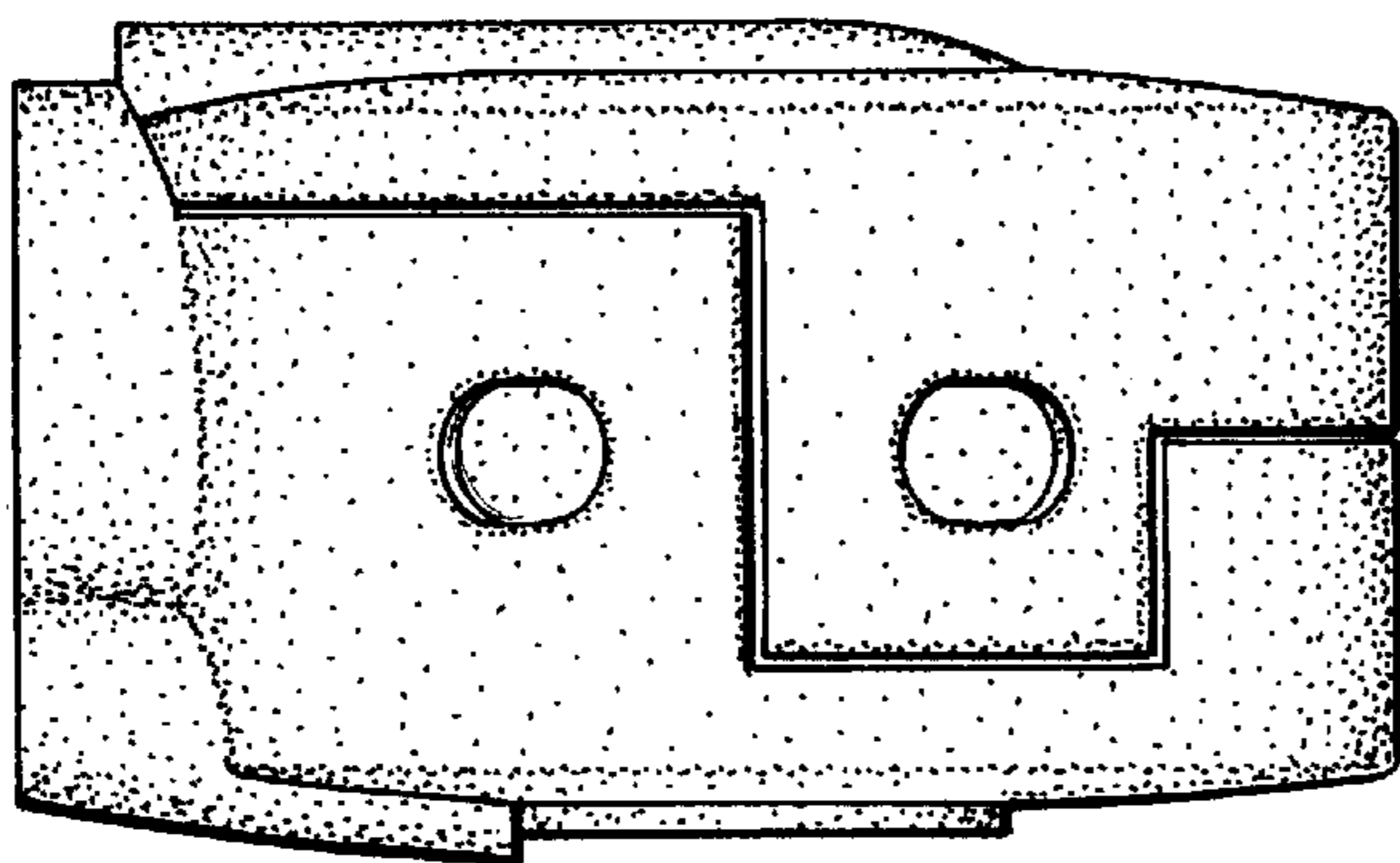
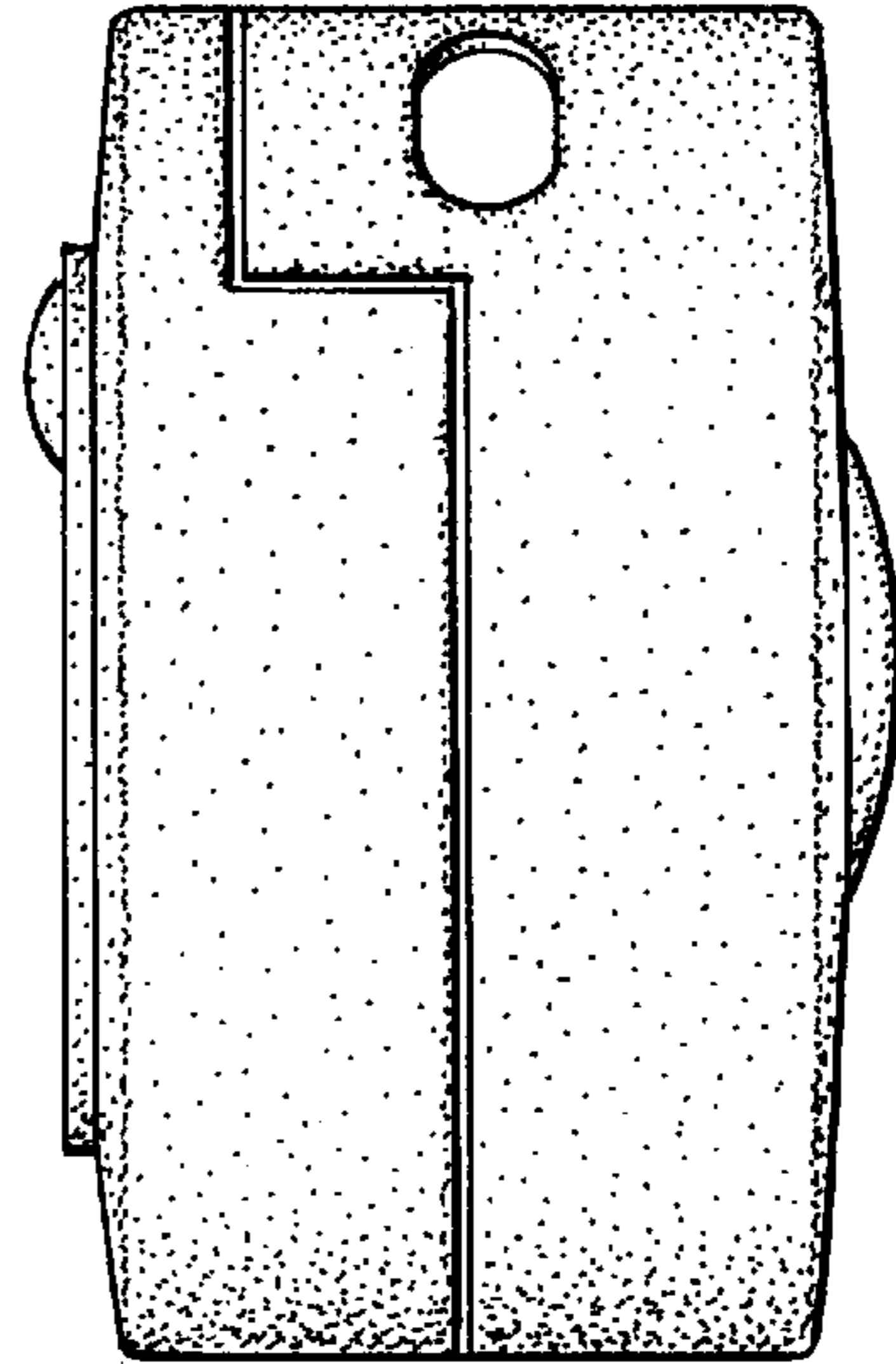


FIG. 7

FIG. 8

