



US00D454050S

(12) **United States Design Patent**
Kelly et al.

(10) **Patent No.:** **US D454,050 S**

(45) **Date of Patent:** **** Mar. 5, 2002**

(54) **DOOR LATCH**

6,053,544 A * 4/2000 Alvring et al. .. 292/DIG. 71 X

(75) Inventors: **Allan D. Kelly**, Asheville; **Jeremy Saunders**, Mars Hill; **Kevin Reid**, Asheville, all of NC (US)

* cited by examiner

Primary Examiner—Jennifer Rivard

(74) *Attorney, Agent, or Firm*—Baker & Hostetler L.L.P.

(73) Assignee: **SPX Corporation**, Muskegon, MI (US)

(57) **CLAIM**

(**) Term: **14 Years**

The ornamental design for a door latch, as shown and described.

(21) Appl. No.: **29/134,365**

(22) Filed: **Dec. 21, 2000**

(51) **LOC (7) Cl.** **08-07**

(52) **U.S. Cl.** **D8/331**

(58) **Field of Search** D8/330, 331, 336,
D8/338; 292/336.3, DIG. 30, DIG. 71,
100, 101, 240, 241, 250, 210, 221; 70/91,
101, 141

DESCRIPTION

FIG. 1 is a perspective drawing of an embodiment of our door latch;

FIG. 2 is a side elevation view of the door latch;

FIG. 3 is a front elevation view of the door latch;

FIG. 4 is a rear elevation view of the door latch;

FIG. 5 is a top elevation view of the door latch; and,

FIG. 6 is a bottom elevation view of the door latch.

The broken lines immediately adjacent the shaded areas represent the bounds of the claim and all other broken lines are for illustrative purposes only. None of the broken lines form a part of the claimed design.

(56) **References Cited**

U.S. PATENT DOCUMENTS

- 4,372,591 A * 2/1983 Cook et al. 292/221
- 4,704,882 A * 11/1987 Takasaki 292/DIG. 71 X

1 Claim, 4 Drawing Sheets

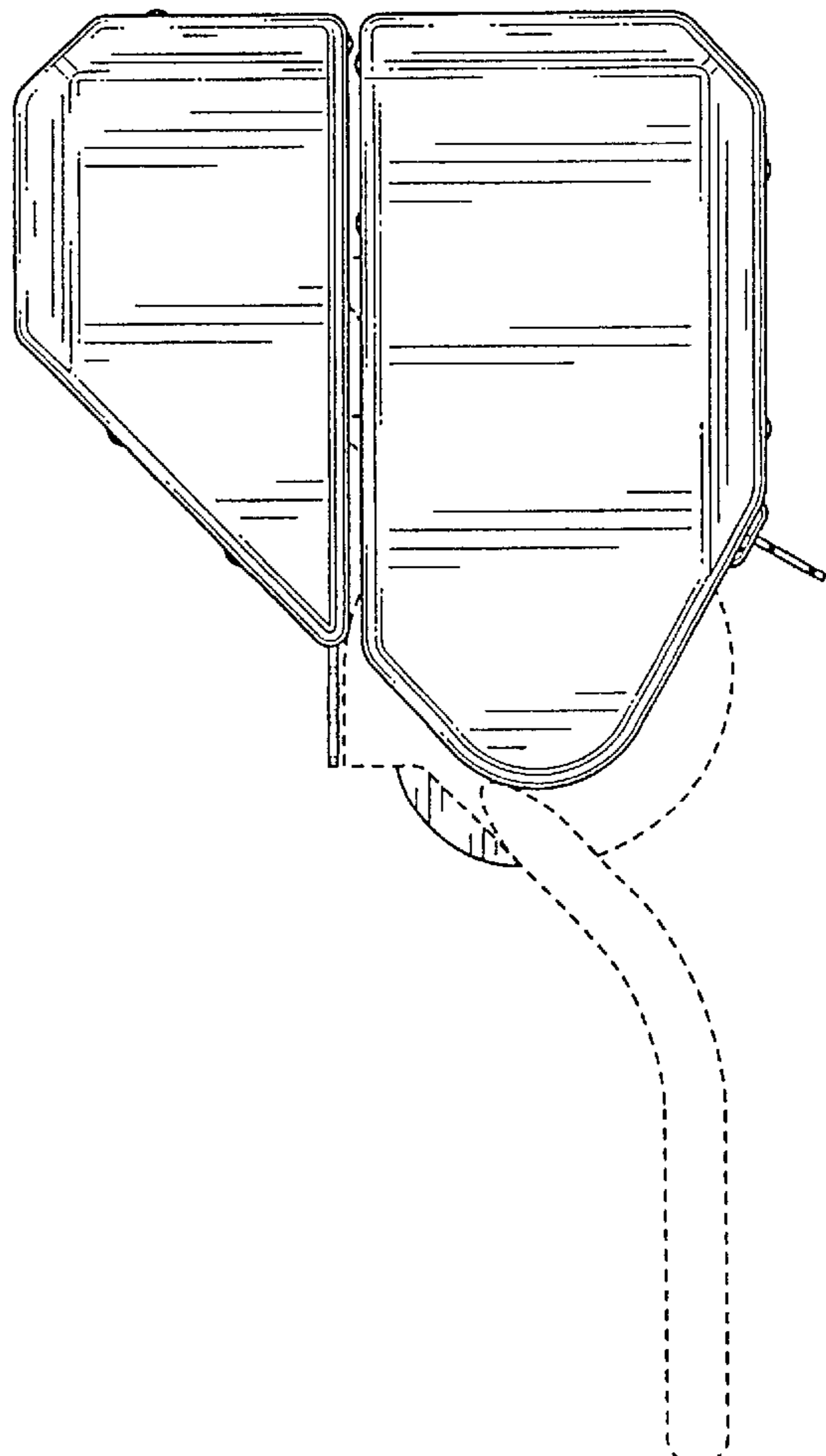
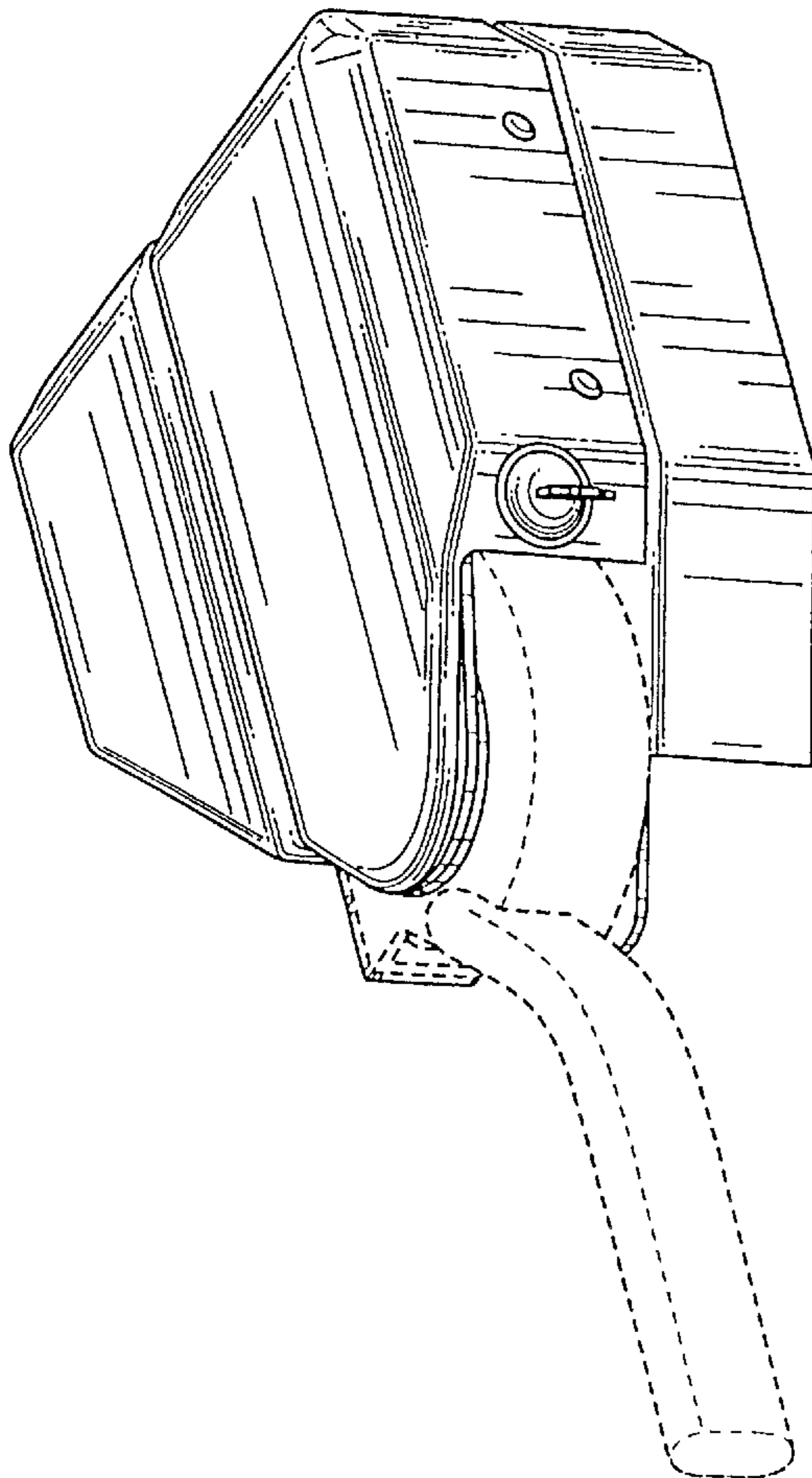


FIG. 1

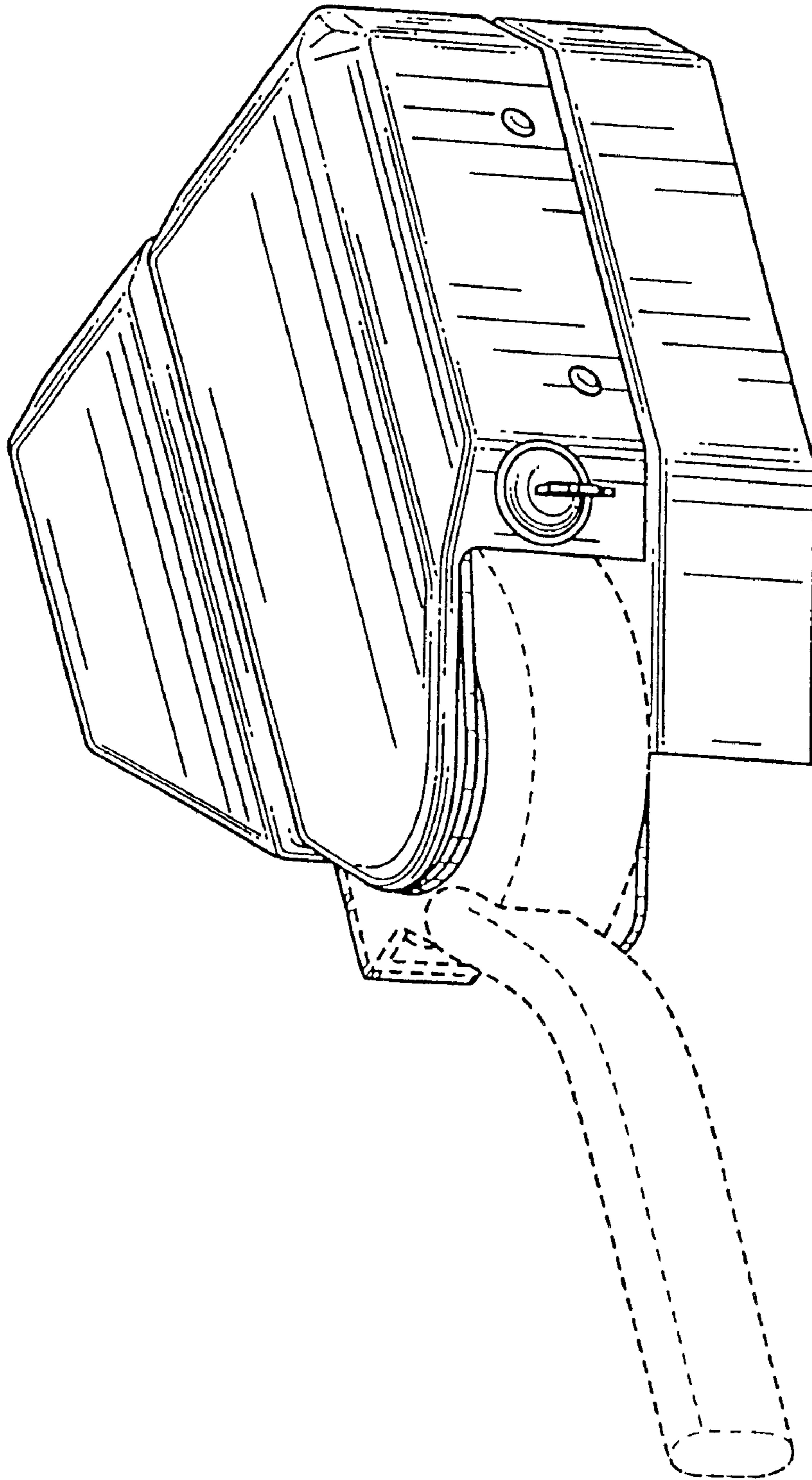


FIG. 2

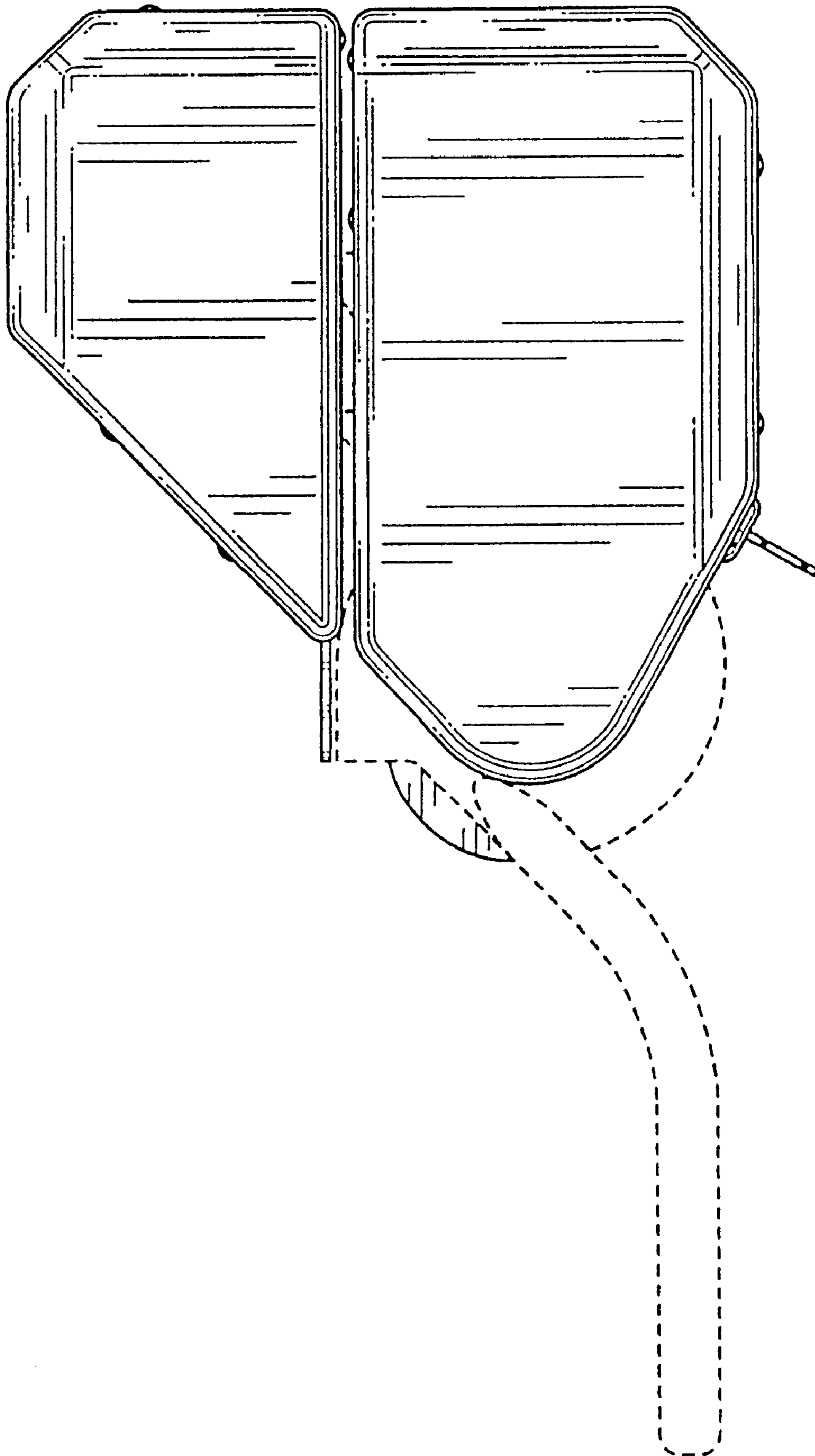


FIG. 3

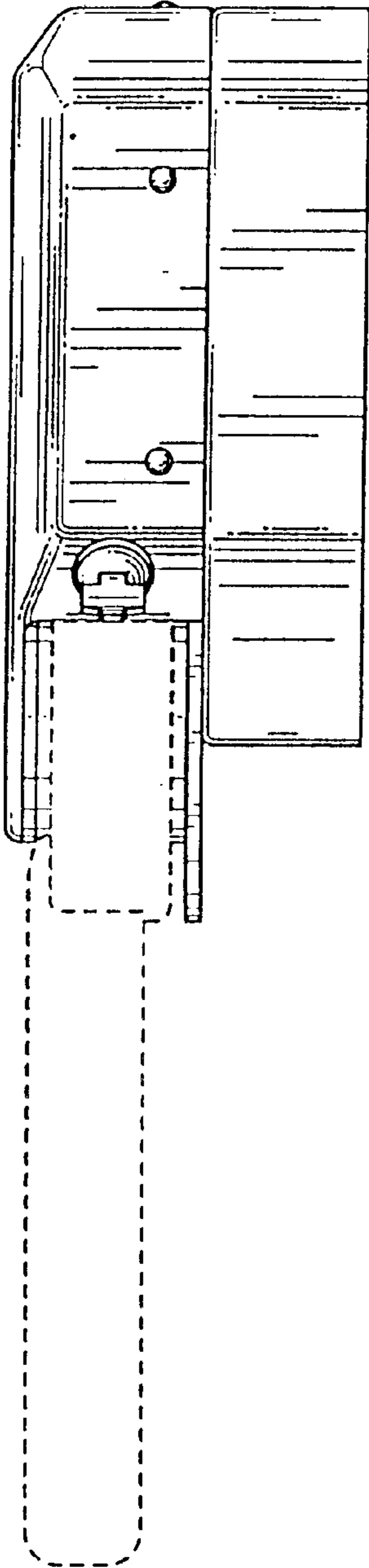


FIG. 4

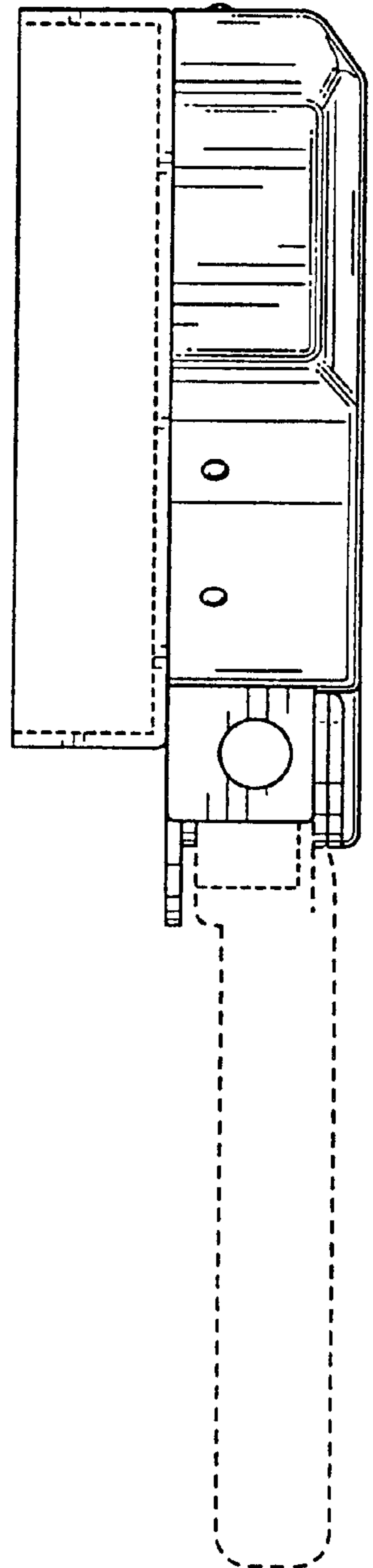


FIG. 5

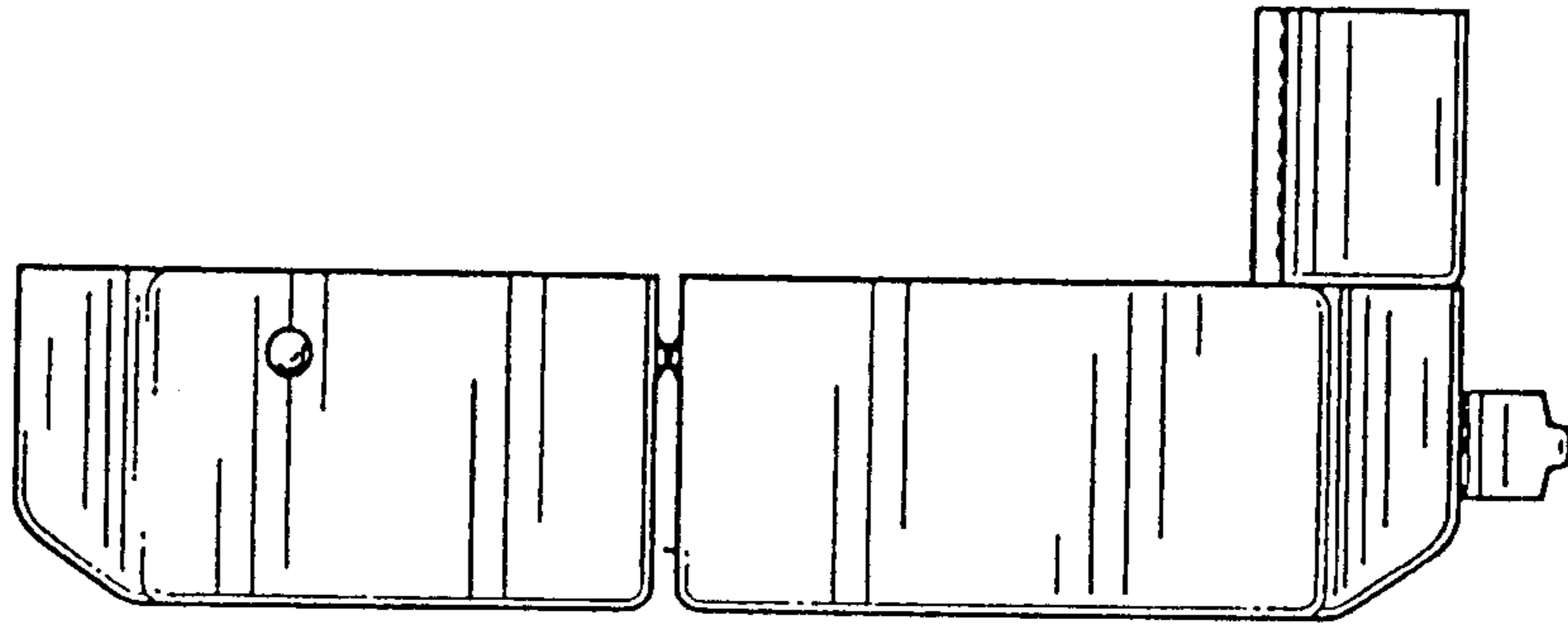


FIG. 6

