



US00D454049S

(12) **United States Design Patent**
LaPlume et al.

(10) **Patent No.:** **US D454,049 S**
(45) **Date of Patent:** **** Mar. 5, 2002**

(54) **COMBINED DOOR KNOB AND ROSE**
(75) Inventors: **Zhiqian LaPlume**, Huntington Beach;
Anthony J. Carsello, Chino Hills;
Darren M. Mark, Valencia, all of CA
(US)

D396,180 S 7/1998 Burns et al.
D403,750 S * 1/1999 Fabian
D405,216 S 2/1999 Porter et al.
D405,995 S 2/1999 Harris
D427,291 S 6/2000 Milrud et al.

OTHER PUBLICATIONS

Corbin catalog; oage 4; Mayfair knob and rose.*
Schlage catalog; p. 62; President knob and rose.*

* cited by examiner

Primary Examiner—B. J. Bullock

(74) *Attorney, Agent, or Firm*—Richard J. Veltman; John D. Del Ponti

(73) Assignee: **Emhart Inc.**, Newark, DE (US)
(**) Term: **14 Years**

(21) Appl. No.: **29/136,867**
(22) Filed: **Feb. 8, 2001**

(51) **LOC (7) Cl.** **08-06**
(52) **U.S. Cl.** **D8/301; D8/310; D8/352**
(58) **Field of Search** D8/301, 302, 307,
D8/352, 310, 353; 16/412, 414, 442, 402,
441; 292/347, 357, 336.3

(57) **CLAIM**

The ornamental design for a combined door knob and rose,
as shown and described.

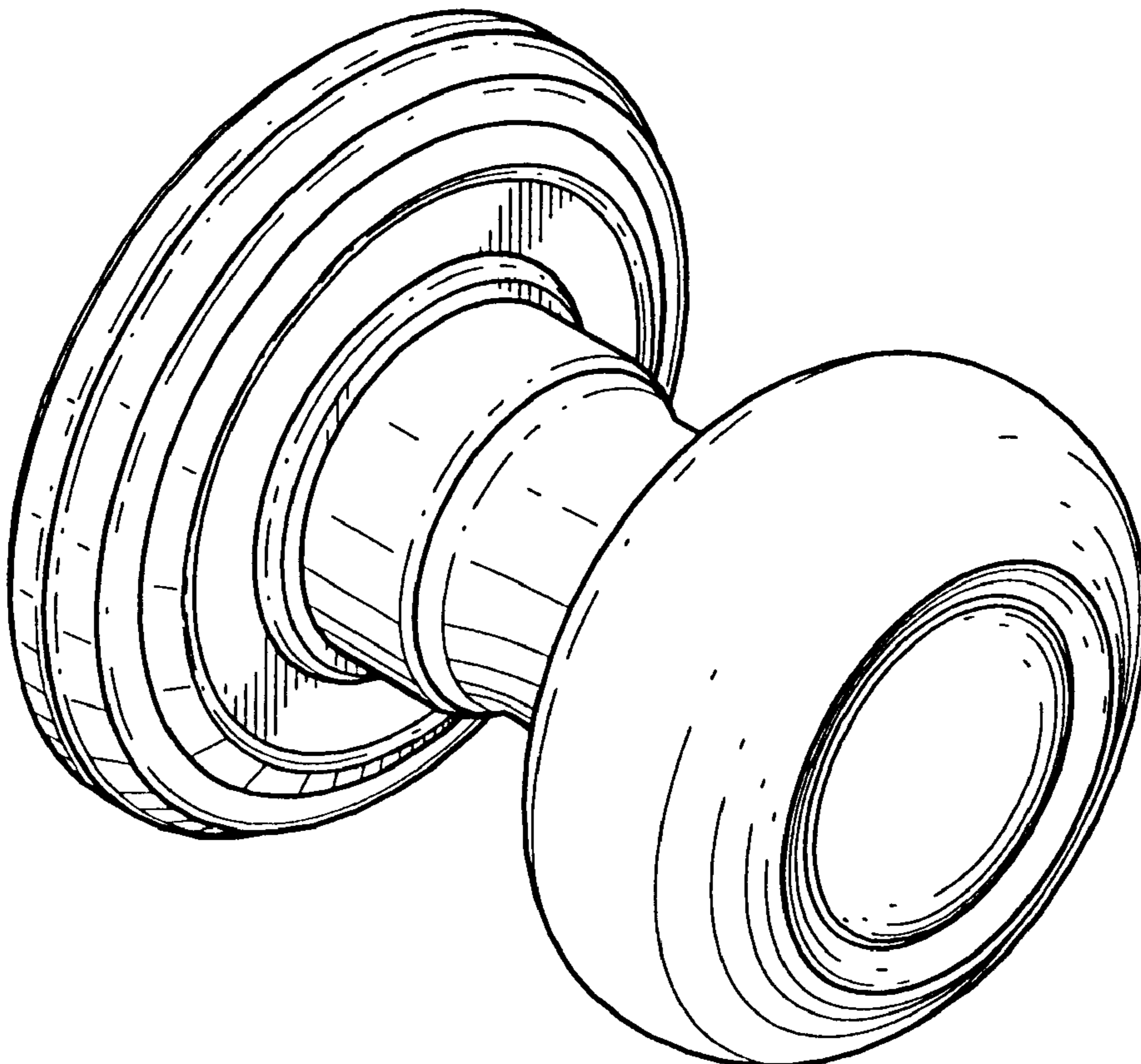
DESCRIPTION

FIG. 1 is a perspective view of the new design for a
combined door knob and rose;
FIG. 2 is a right side elevational view of the new design for
a combined door knob and rose; and,
FIG. 3 is a front elevational view of the new design for a
combined door knob and rose.

(56) **References Cited**
U.S. PATENT DOCUMENTS

D164,606 S * 9/1951 Schlage
D179,220 S * 11/1956 Russell
D271,464 S 11/1983 Carlson
D337,813 S 7/1993 Levien
D355,838 S 2/1995 Chieda
D385,956 S 11/1997 Doughty et al.
5,685,583 A * 11/1997 Mack et al.

1 Claim, 1 Drawing Sheet



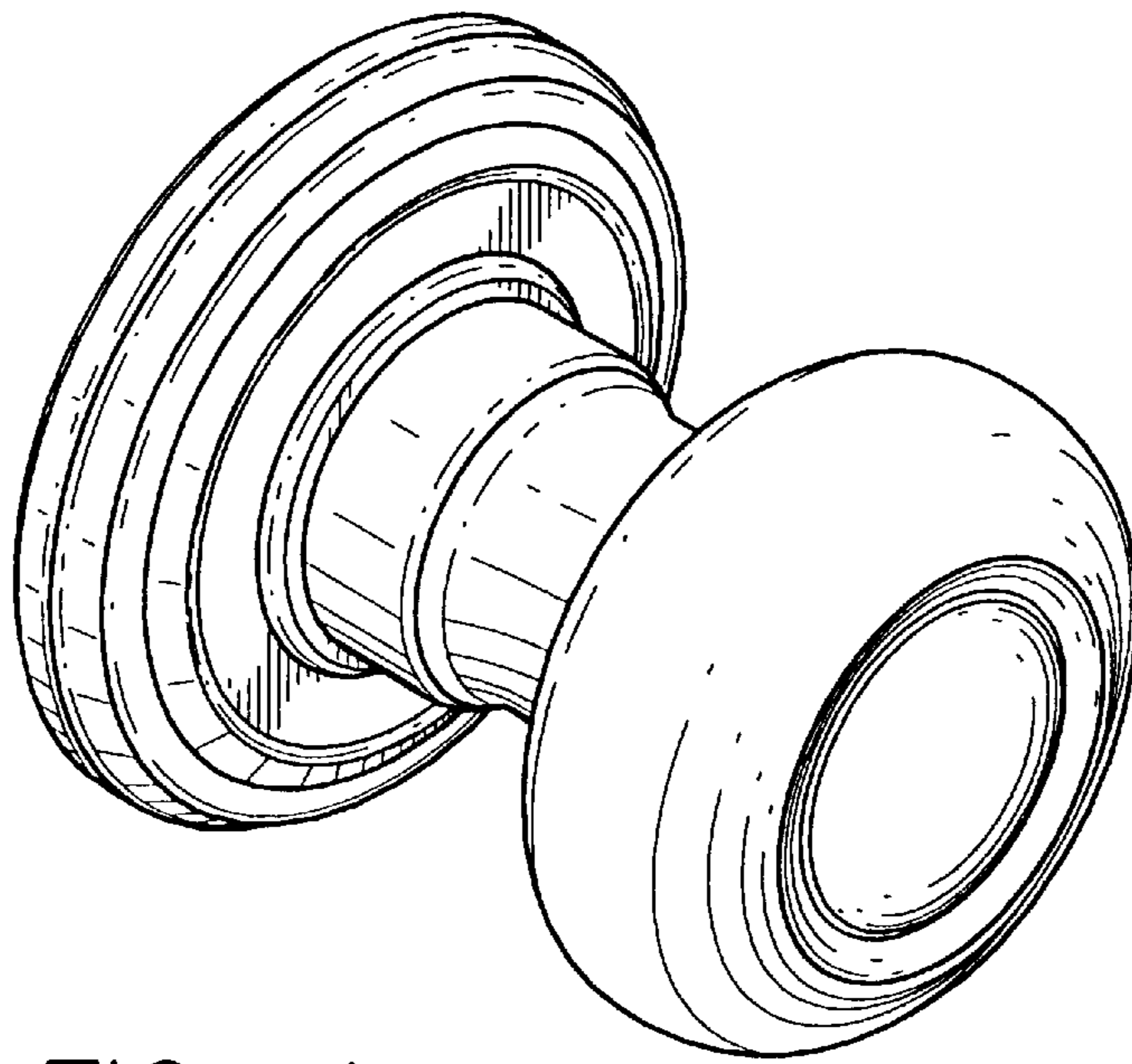


FIG. 1

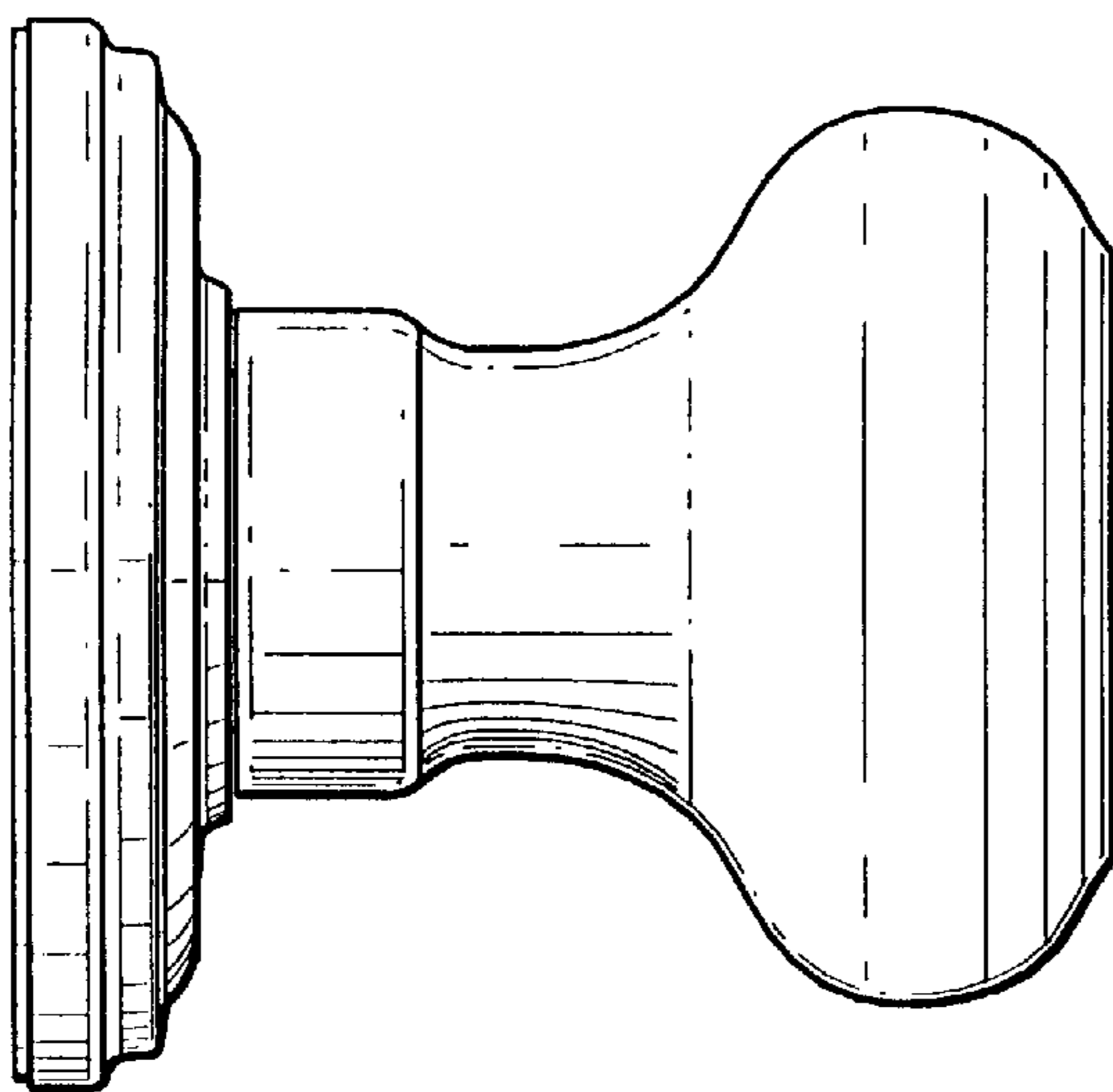


FIG. 2

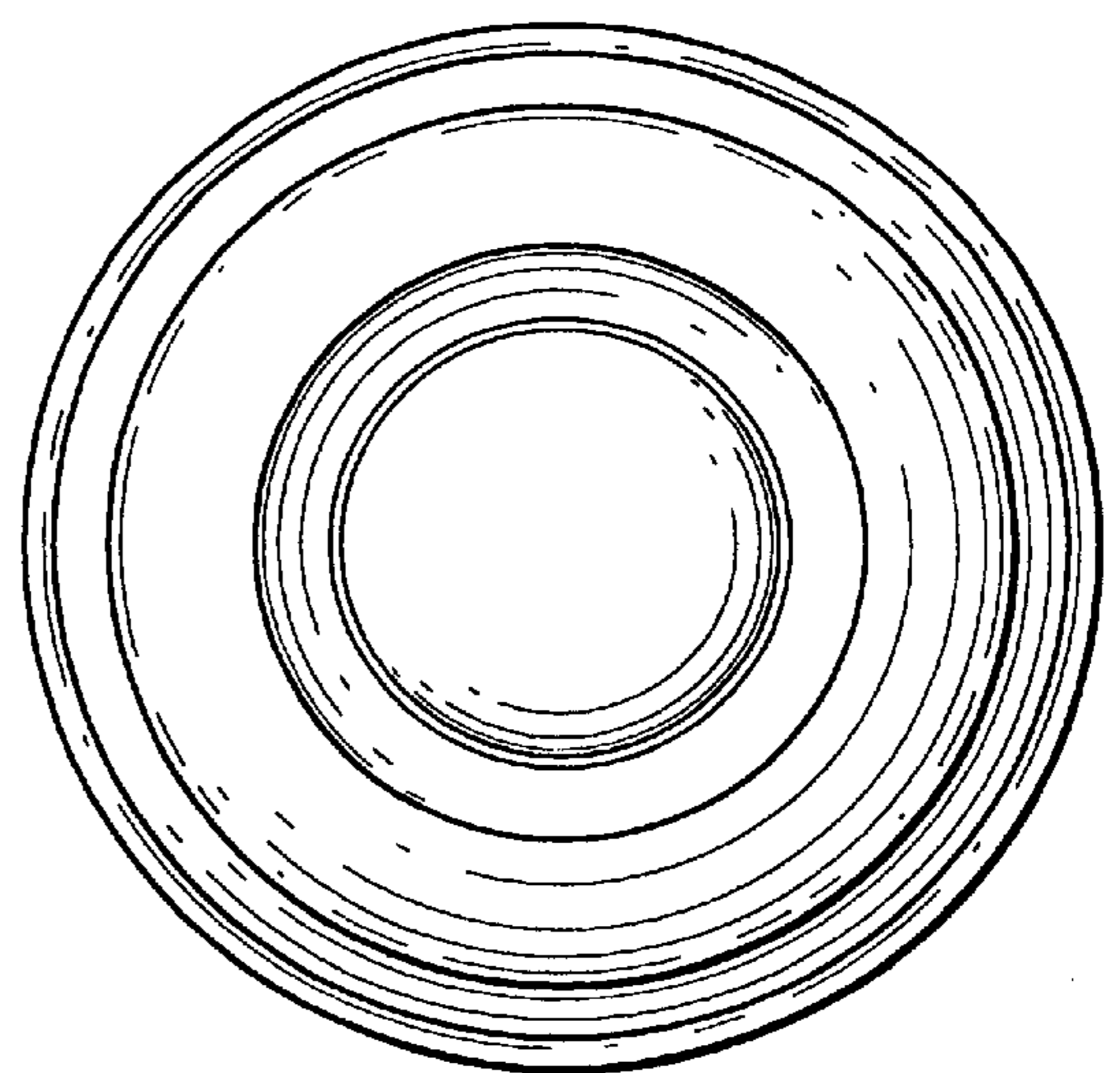


FIG. 3