



US00D454045S

(12) **United States Design Patent**
Rinner et al.

(10) **Patent No.:** **US D454,045 S**
(45) **Date of Patent:** **** Mar. 5, 2002**

(54) **T-HANDLE FOR A TORQUE-APPLYING TOOL**

D377,444 S * 1/1997 Lin D8/107
6,151,998 A 11/2000 Fu-Hui 81/177.4

(75) Inventors: **James A. Rinner; Alphonse J. Post; Timothy J. Michna**, all of Racine, WI (US)

(73) Assignee: **Beere Precision Medical Instruments, Inc.**, Kenosha, WI (US)

(**) Term: **14 Years**

(21) Appl. No.: **29/137,021**

(22) Filed: **Feb. 12, 2001**

(51) **LOC (7) Cl.** **08-05**

(52) **U.S. Cl.** **D8/107; D8/24**

(58) **Field of Search** D8/14, 24, 107;
29/229; 81/15.7, 177.1, 177.8, 489; 254/25;
294/26; 16/11 R

(56) **References Cited**

U.S. PATENT DOCUMENTS

- 3,025,994 A * 3/1962 Kaplan 81/177.1
- 4,599,779 A * 7/1986 Thibault 29/283
- 4,763,546 A * 8/1988 Yeh et al. 81/15.7
- 4,813,551 A 3/1989 Kuo 211/70.6
- D374,162 S * 10/1996 Martin D8/107

OTHER PUBLICATIONS

Beere Precision Medical Instruments, Inc. (Print of Photo; "Miscellaneous" page.

* cited by examiner

Primary Examiner—Alan P. Douglas

Assistant Examiner—Clare E. Heflin

(74) *Attorney, Agent, or Firm*—Arthur J. Hansmann

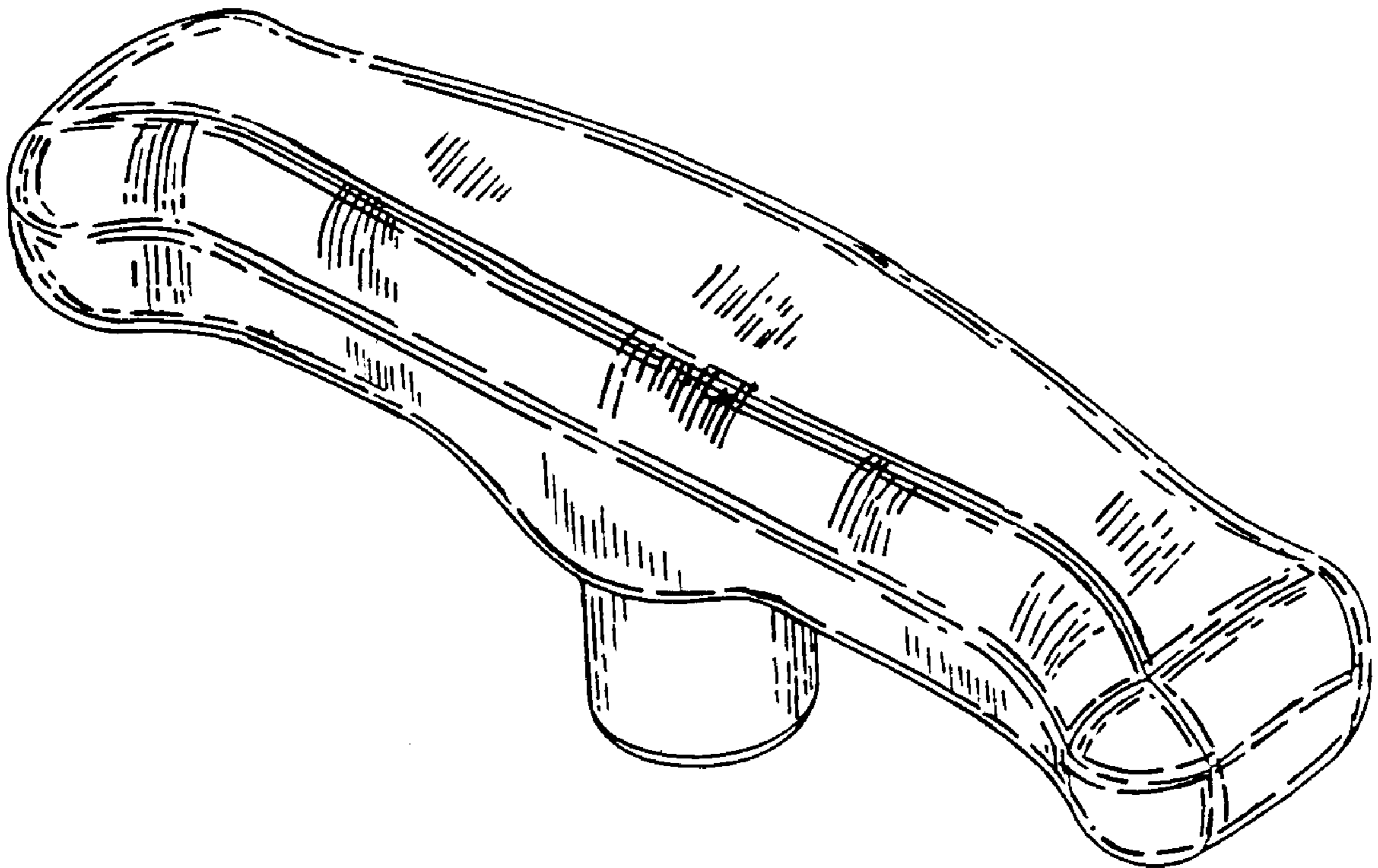
(57) **CLAIM**

The ornamental design for a T-handle for a torque-applying tool, as shown and described.

DESCRIPTION

FIG. 1 is a top perspective view of the T-handle for a torque-applying tool showing our new design; FIG. 2 is a top plan view thereof; FIG. 3 is a front elevational view thereof; the rear elevation view is identical to FIG. 3; FIG. 4 is a right end elevational view thereof; the left end elevational view is identical to FIG. 4; and, FIG. 5 is a bottom plan view thereof.

1 Claim, 1 Drawing Sheet



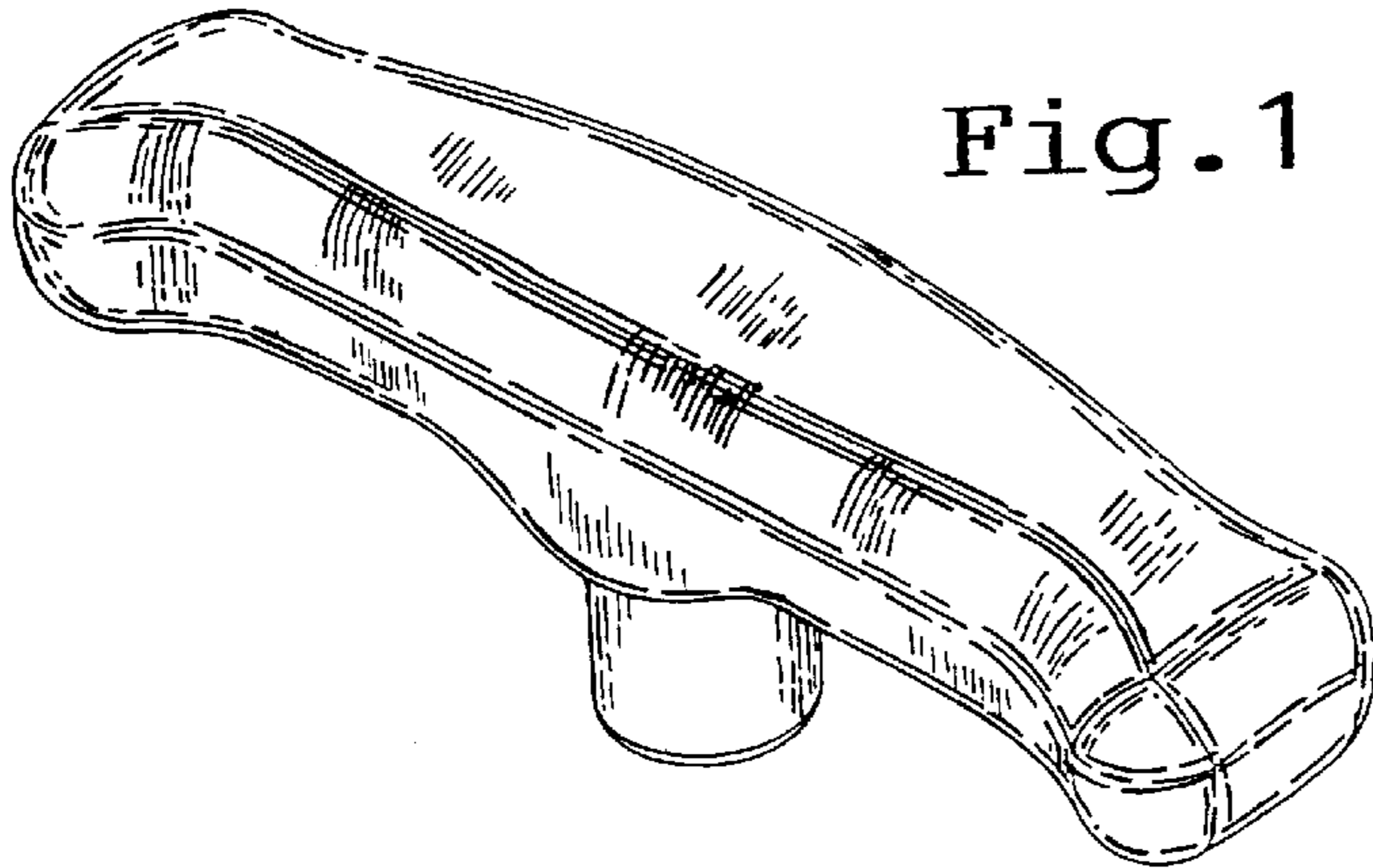


Fig. 1

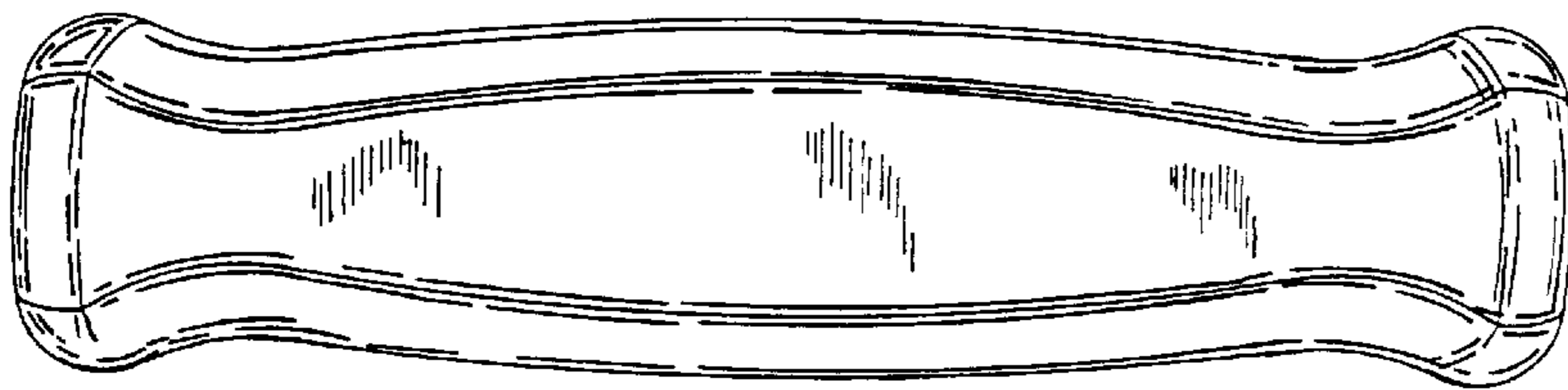


Fig. 2

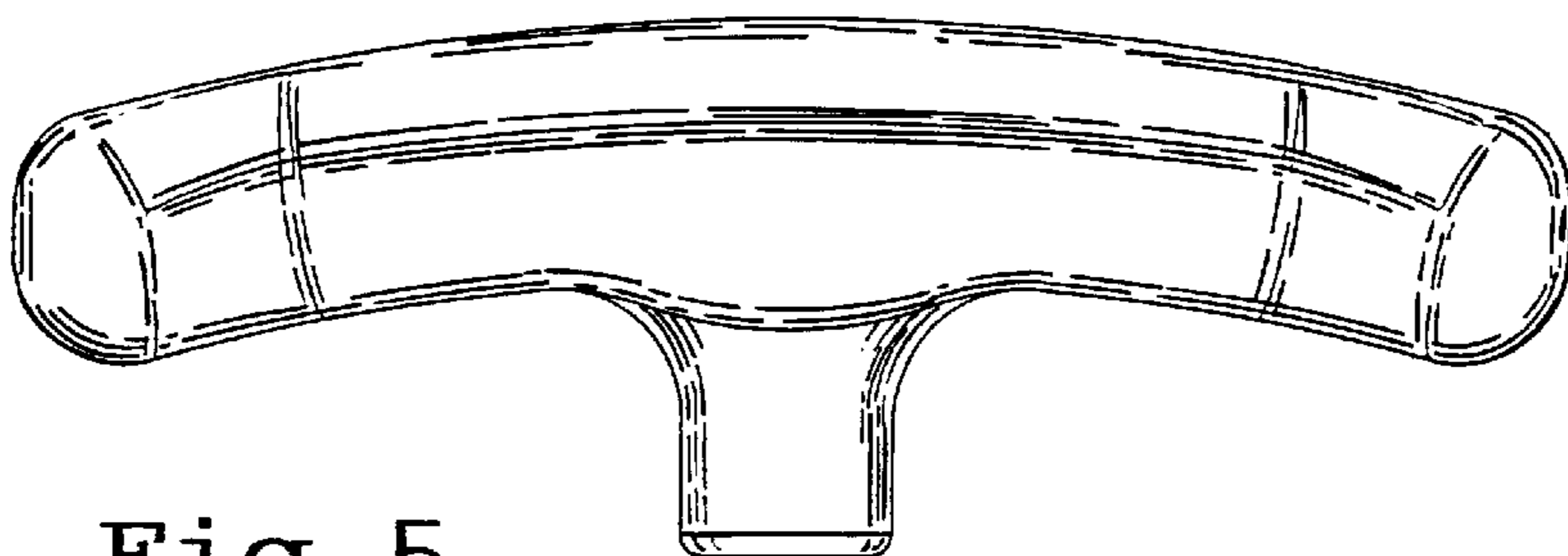


Fig. 3

Fig. 4

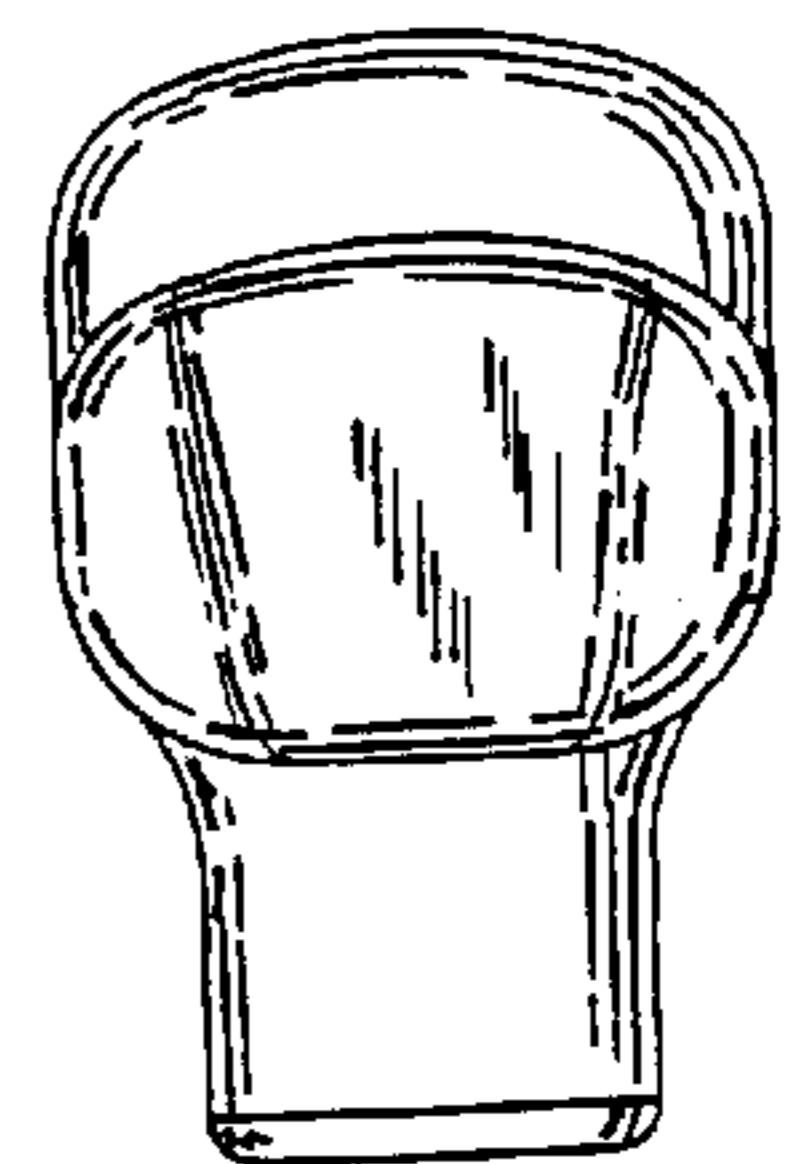


Fig. 5

