



US00D454040S

(12) **United States Design Patent**
Wadsworth

(10) **Patent No.:** **US D454,040 S**

(45) **Date of Patent:** **** Mar. 5, 2002**

(54) **BATTERY POWERED DRILL WITH LIGHT**

D446,227 S * 8/2001 Gill D15/132

(76) Inventor: **Jake Wadsworth**, 889 Dublin Gulch Rd., St. Ignatius, MT (US) 59865

* cited by examiner

(**) Term: **14 Years**

Primary Examiner—Doris V. Coles
Assistant Examiner—Elizabeth A. Albert
(74) *Attorney, Agent, or Firm*—Keith S. Bergman

(21) Appl. No.: **29/138,681**

(57) **CLAIM**

(22) Filed: **Mar. 20, 2001**

The ornamental design for a battery powered drill with light, as shown and described.

(51) **LOC (7) Cl.** **08-01**

(52) **U.S. Cl.** **D8/61**

(58) **Field of Search** D8/61-64, 67-69,
D8/DIG. 7; D15/122, 127, 132, 139, 142;
408/199

DESCRIPTION

FIG. 1 is an expanded isometric view of the battery powered drill with light showing the design.

FIG. 2 is an assembled isometric view thereof;

FIG. 3 is a top view thereof.

FIG. 4 is a bottom view thereof.

FIG. 5 is a right side elevational view thereof.

FIG. 6 is a left side elevational view thereof.

FIG. 7 is a front elevational view thereof; and,

FIG. 8 is a rear elevational view thereof.

(56) **References Cited**

U.S. PATENT DOCUMENTS

D140,664 S * 3/1945 Leckinger D15/132
D225,273 S * 11/1972 King, Sr. D15/139
5,169,225 A * 12/1992 Palm 362/118
D402,872 S * 12/1998 Clowers et al. D8/68

1 Claim, 3 Drawing Sheets

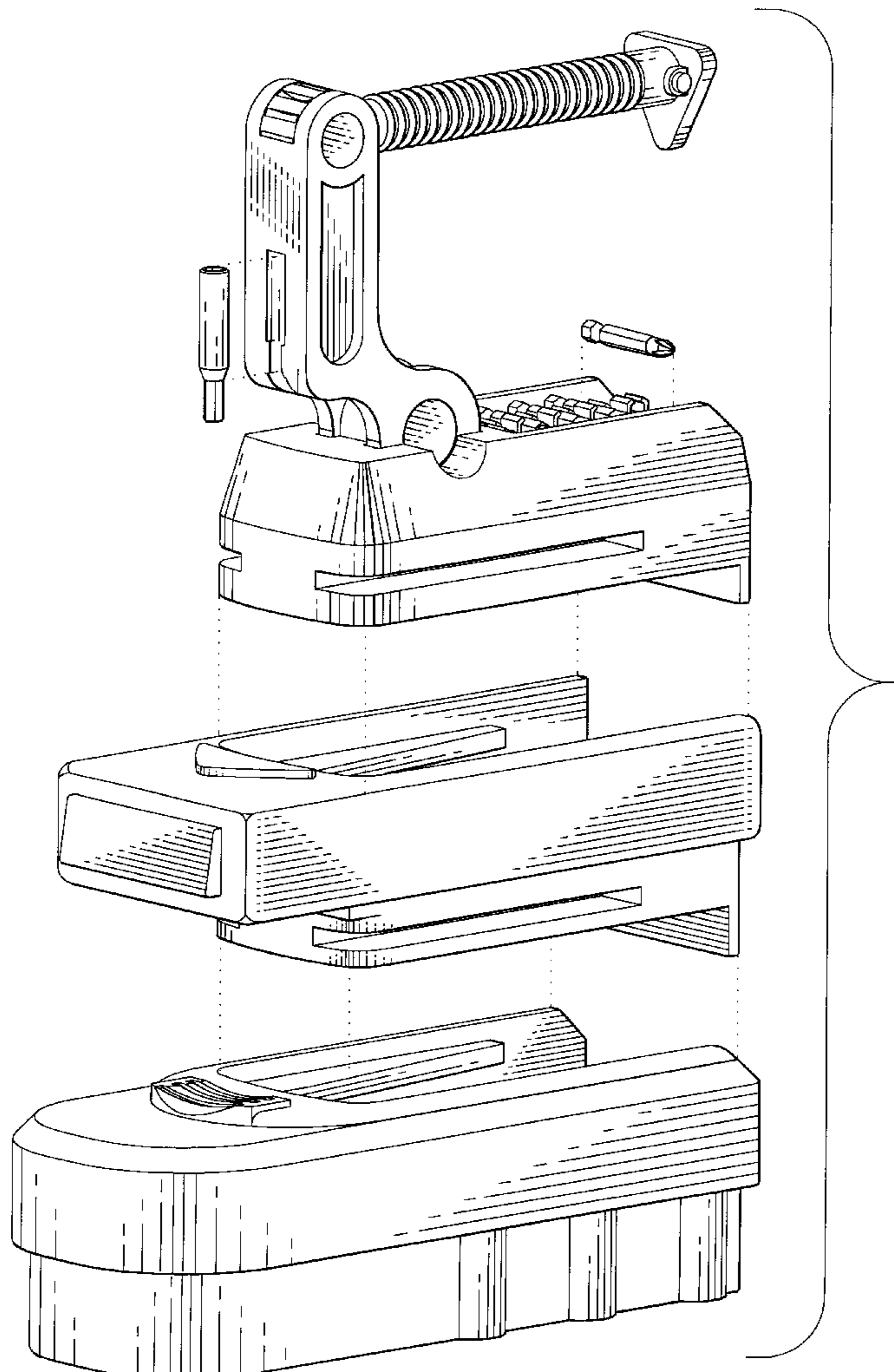
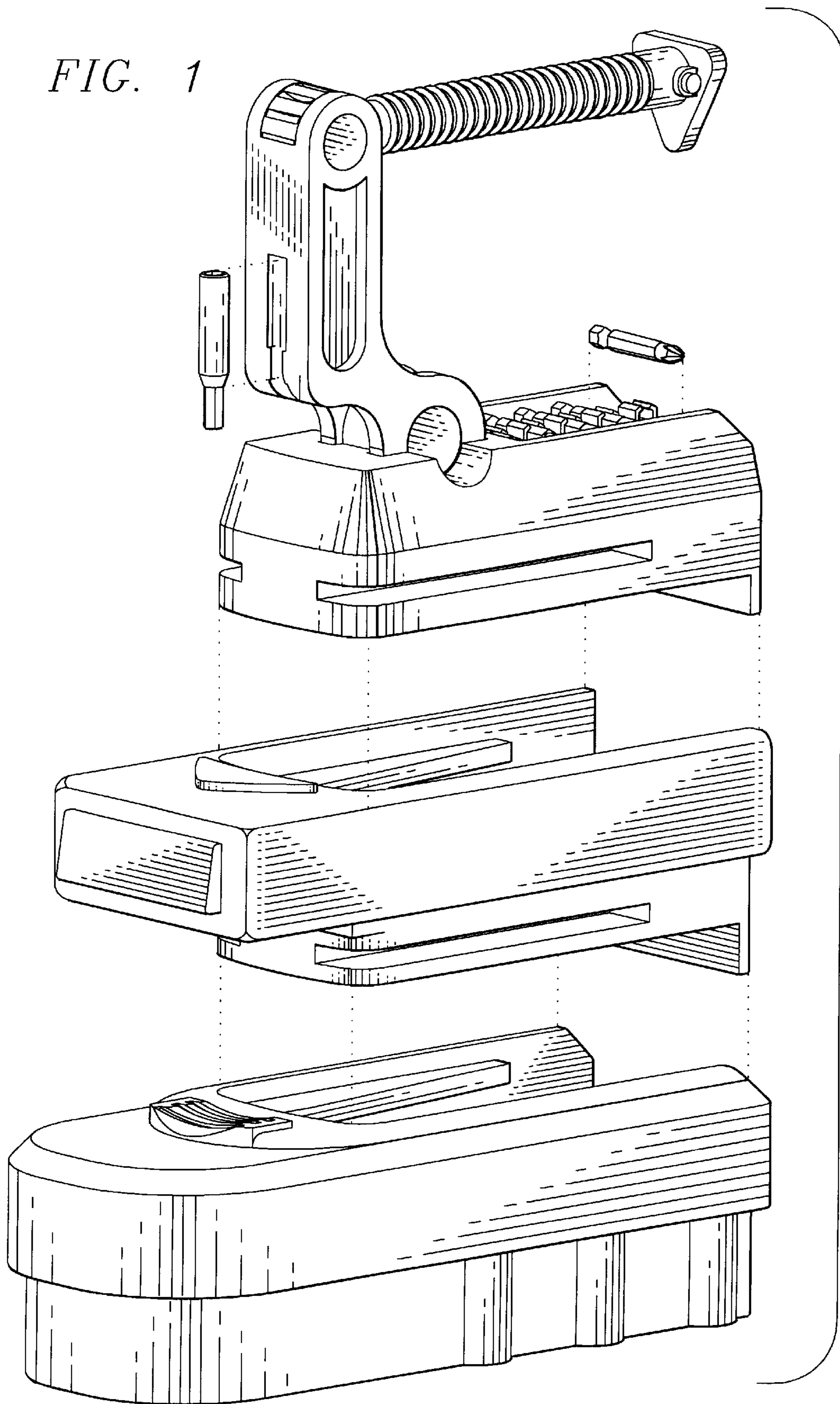


FIG. 1



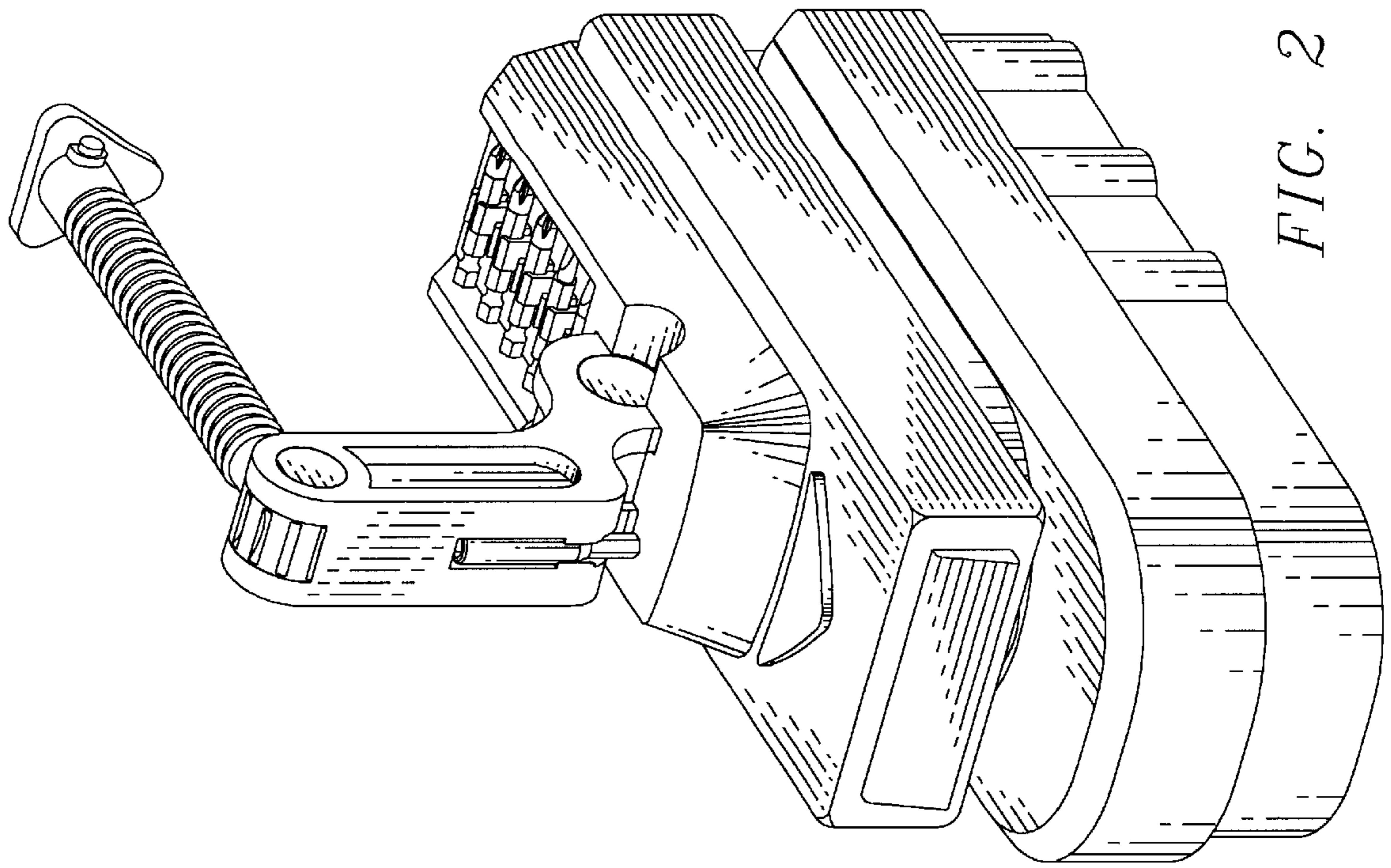


FIG. 2

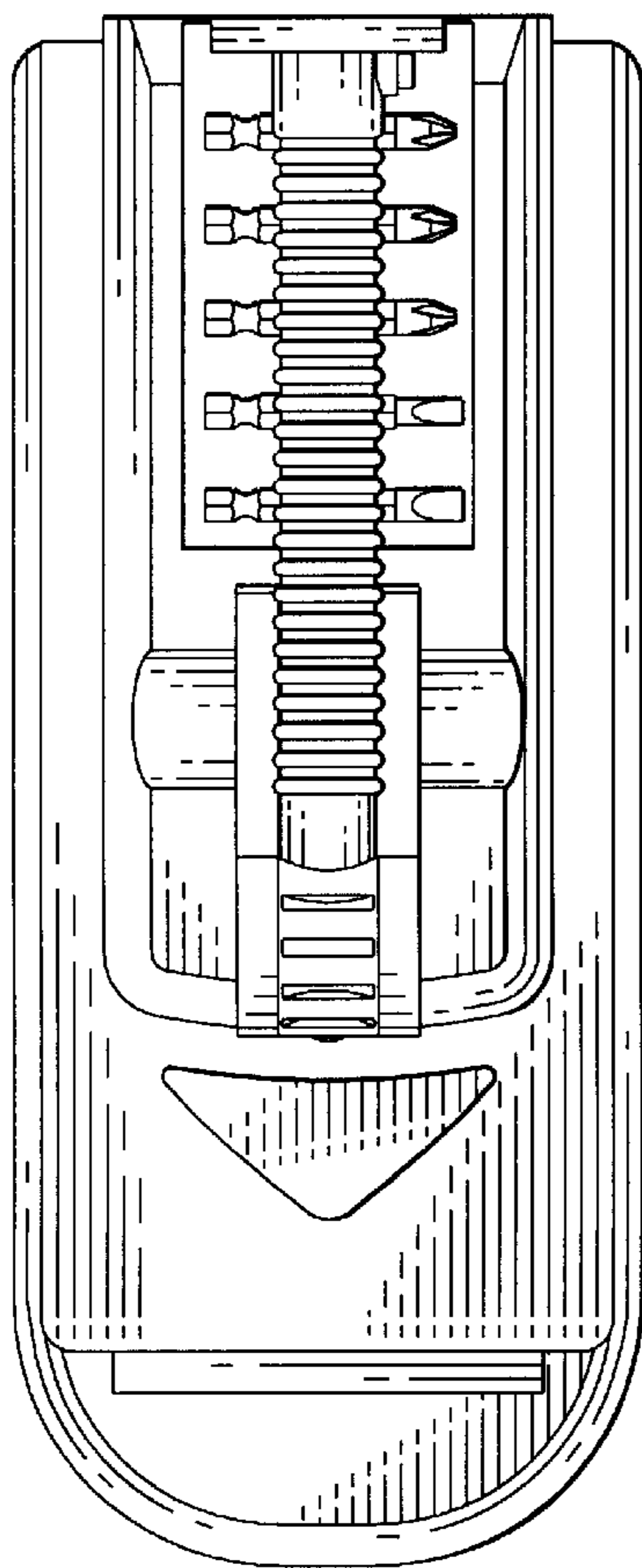


FIG. 3

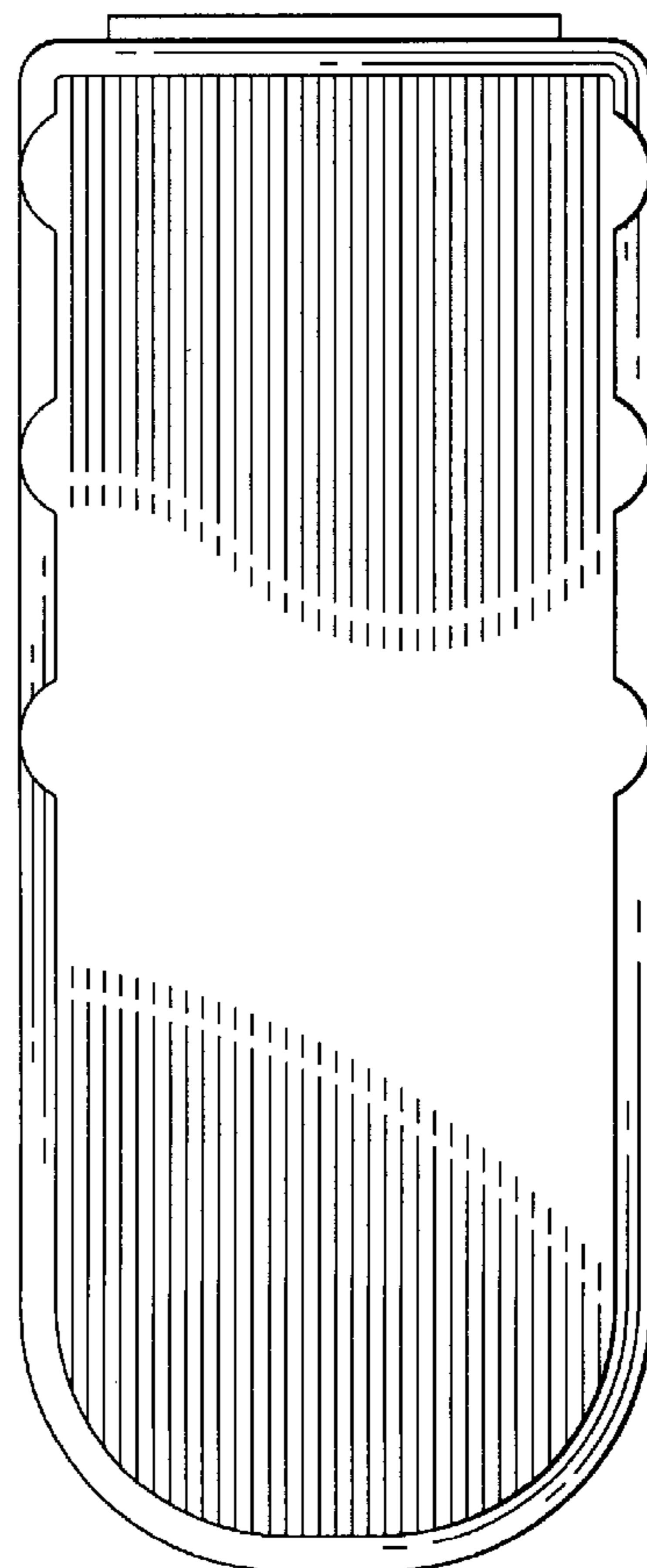


FIG. 4

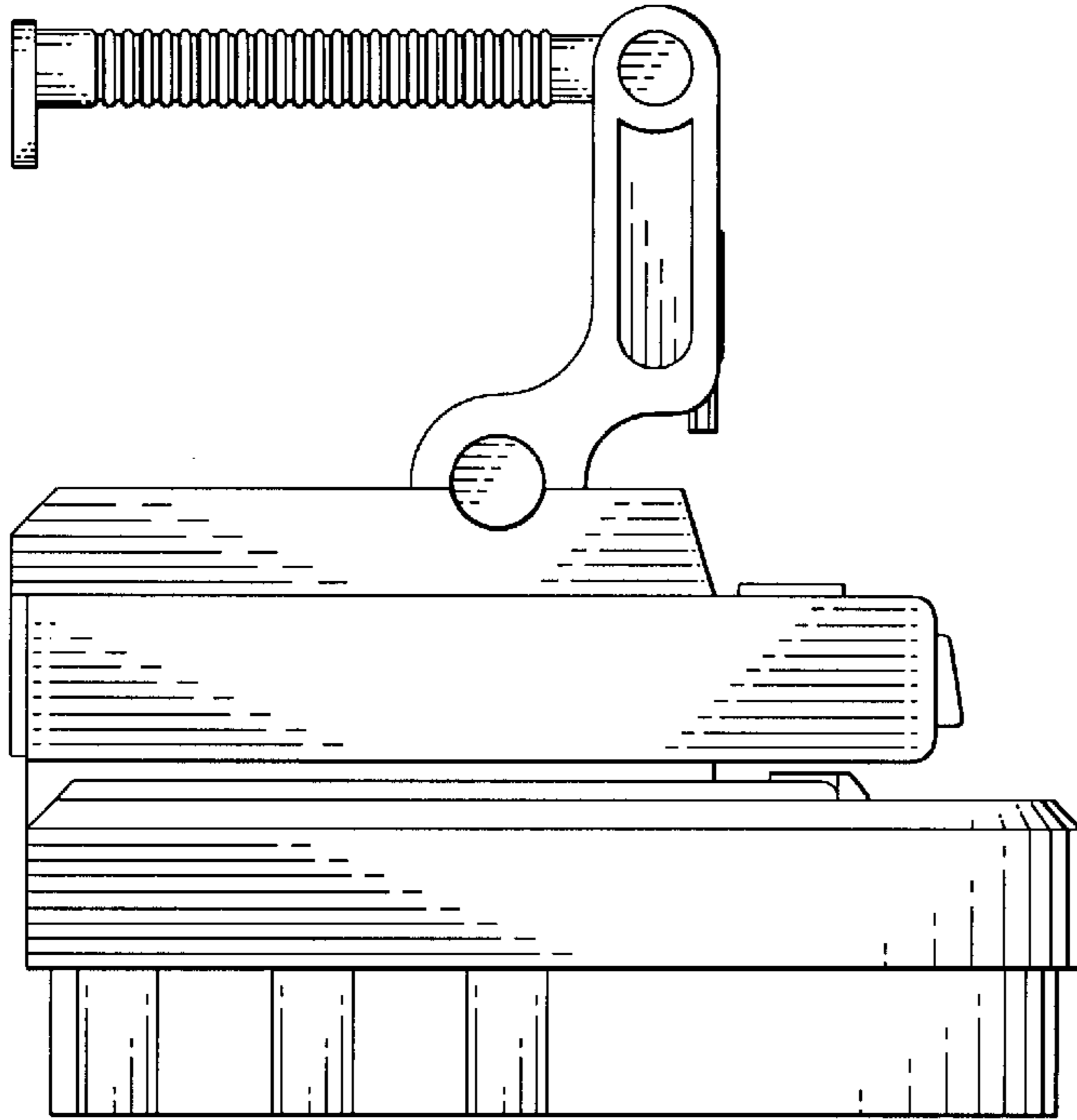


FIG. 5

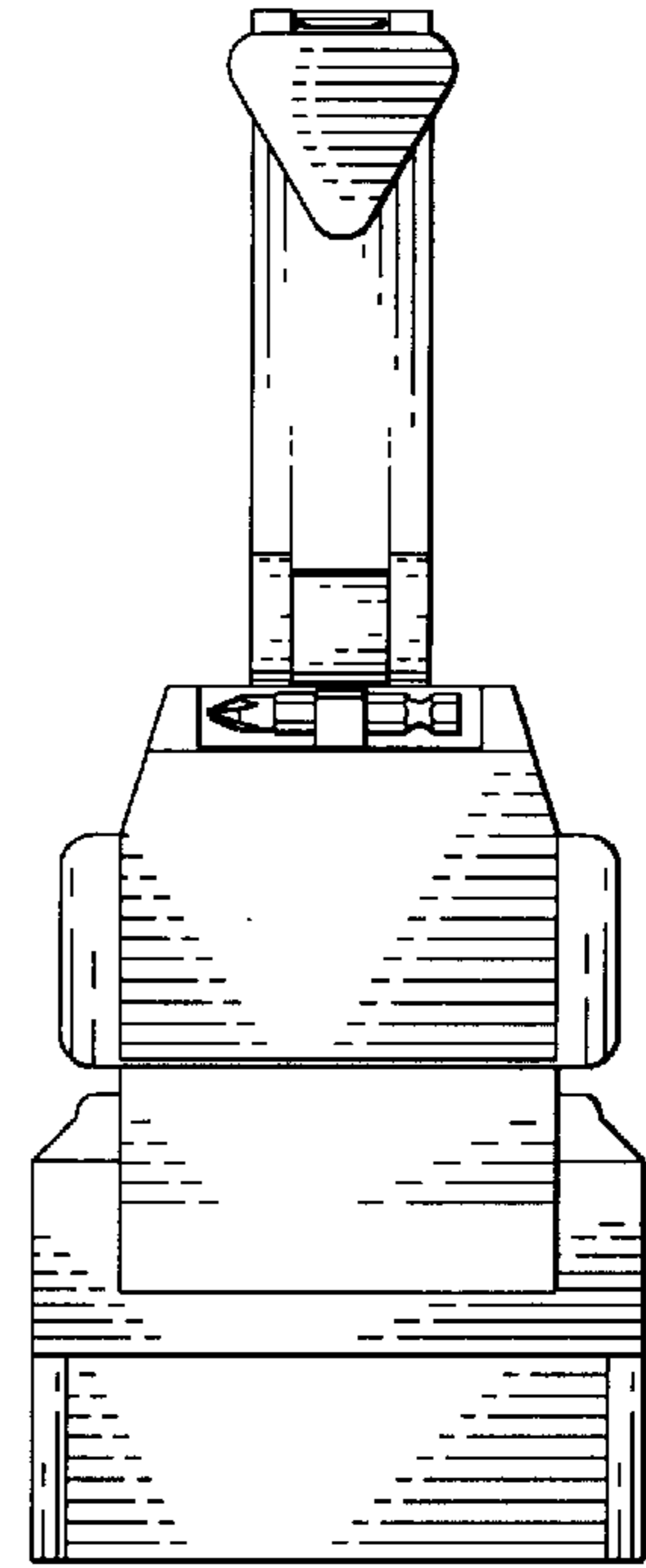


FIG. 7

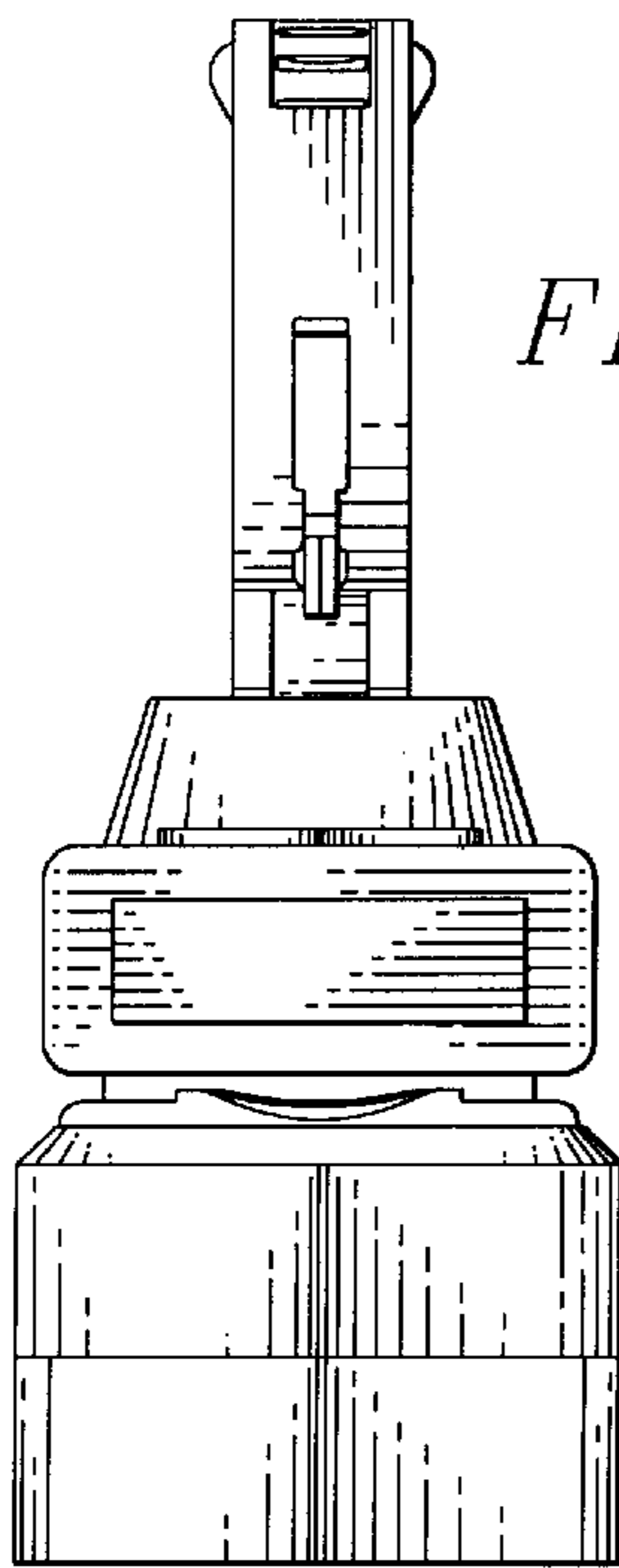


FIG. 8

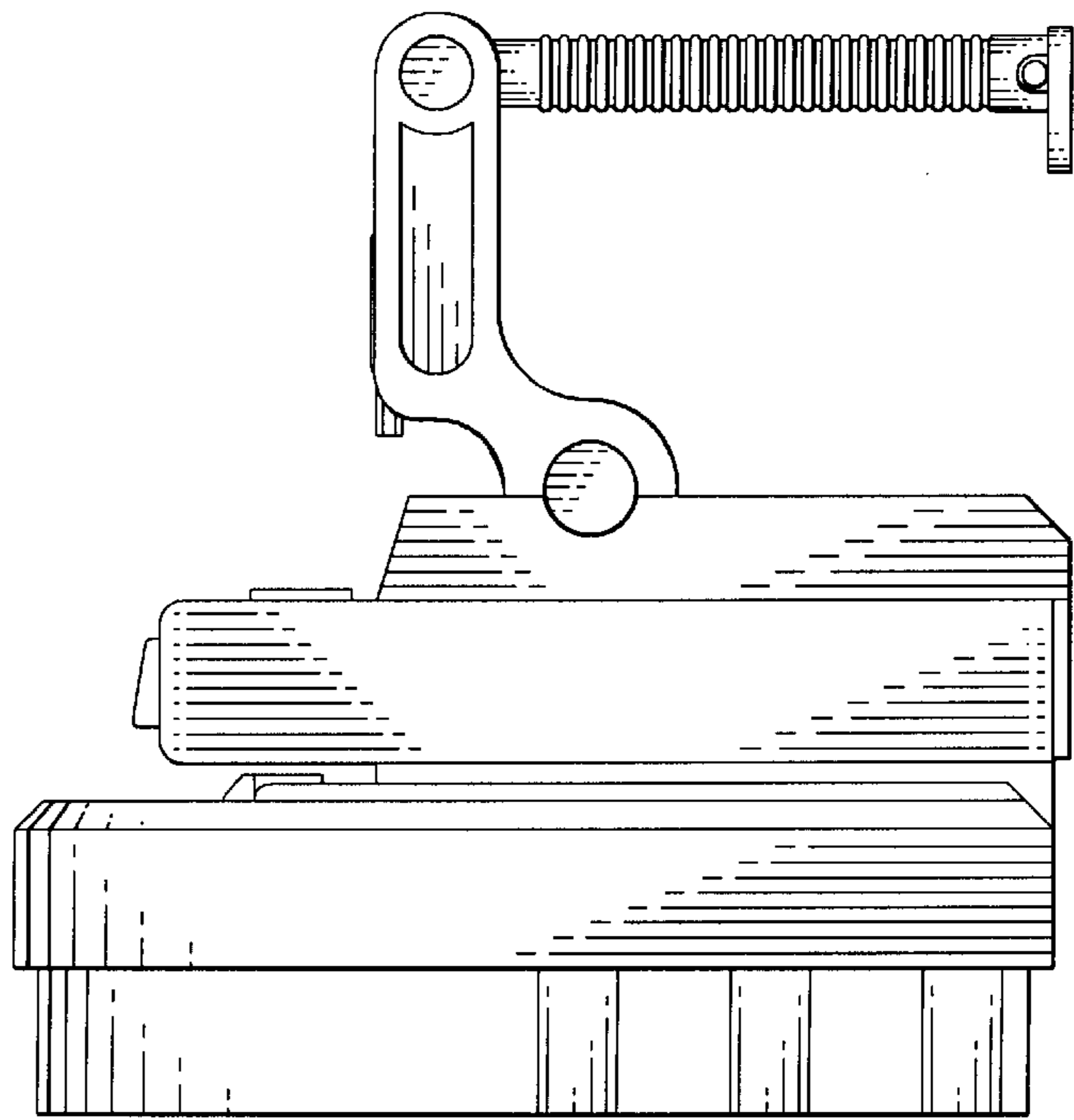


FIG. 6