



US00D454037S

(12) **United States Design Patent**  
**Briscoe**

(10) **Patent No.:** **US D454,037 S**

(45) **Date of Patent:** **\*\* Mar. 5, 2002**

- (54) **SAILBOAT SHAPED BOTTLE OPENER**
- (76) Inventor: **Roy Briscoe**, 7 Riverview Rd., Durham, NH (US) 03824
- (\*\*) Term: **14 Years**
- (21) Appl. No.: **29/140,865**
- (22) Filed: **Apr. 25, 2001**
- (51) **LOC (7) Cl.** ..... **07-99**
- (52) **U.S. Cl.** ..... **D8/38**
- (58) **Field of Search** ..... D8/18, 33-43; 7/151-156; 81/3.07-3.49; D3/211

- D420,265 S 2/2000 Pierce
- D433,898 S 11/2000 Hunt
- D433,899 S 11/2000 Saffron et al.
- D433,900 S 11/2000 Wysopal
- D447,675 S \* 9/2001 Vaught ..... D8/38

\* cited by examiner

*Primary Examiner*—Caron D. Veynar  
(74) *Attorney, Agent, or Firm*—Phillip E. Decker

(57) **CLAIM**

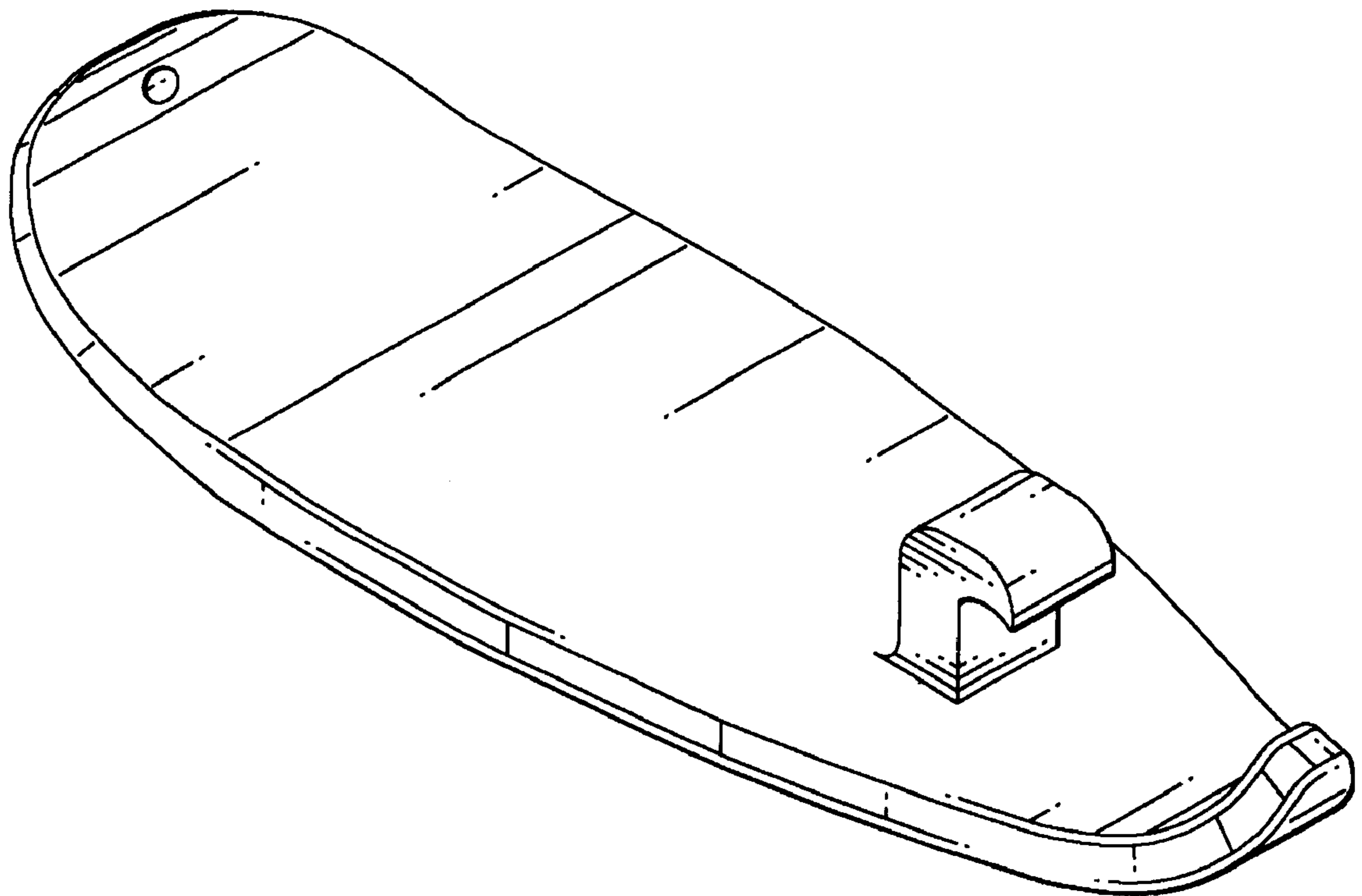
The ornamental design for a sailboat shaped bottle opener, as shown and described.

**DESCRIPTION**

FIG. 1 is a perspective view of a sailboat shaped bottle opener according to my new design.  
 FIG. 2 is a side elevation view the opposite side view is a mirror image thereof;  
 FIG. 3 is a top plan view thereof;  
 FIG. 4 is a bottom plan view thereof;  
 FIG. 5 is a front elevation view thereof; and,  
 FIG. 6 is a rear elevation view thereof.

**1 Claim, 2 Drawing Sheets**

- (56) **References Cited**
- U.S. PATENT DOCUMENTS**
- D292,479 S \* 10/1987 Beauchan ..... D8/40
- D311,451 S \* 10/1990 Chan ..... D3/211
- D326,040 S \* 5/1992 Wysopal ..... D8/34
- 5,337,632 A \* 8/1994 Thomas et al. .... 81/3.55
- D375,029 S \* 10/1996 Totten ..... D8/18
- D385,162 S 10/1997 Barrick
- D403,502 S \* 1/1999 Winter ..... D3/211



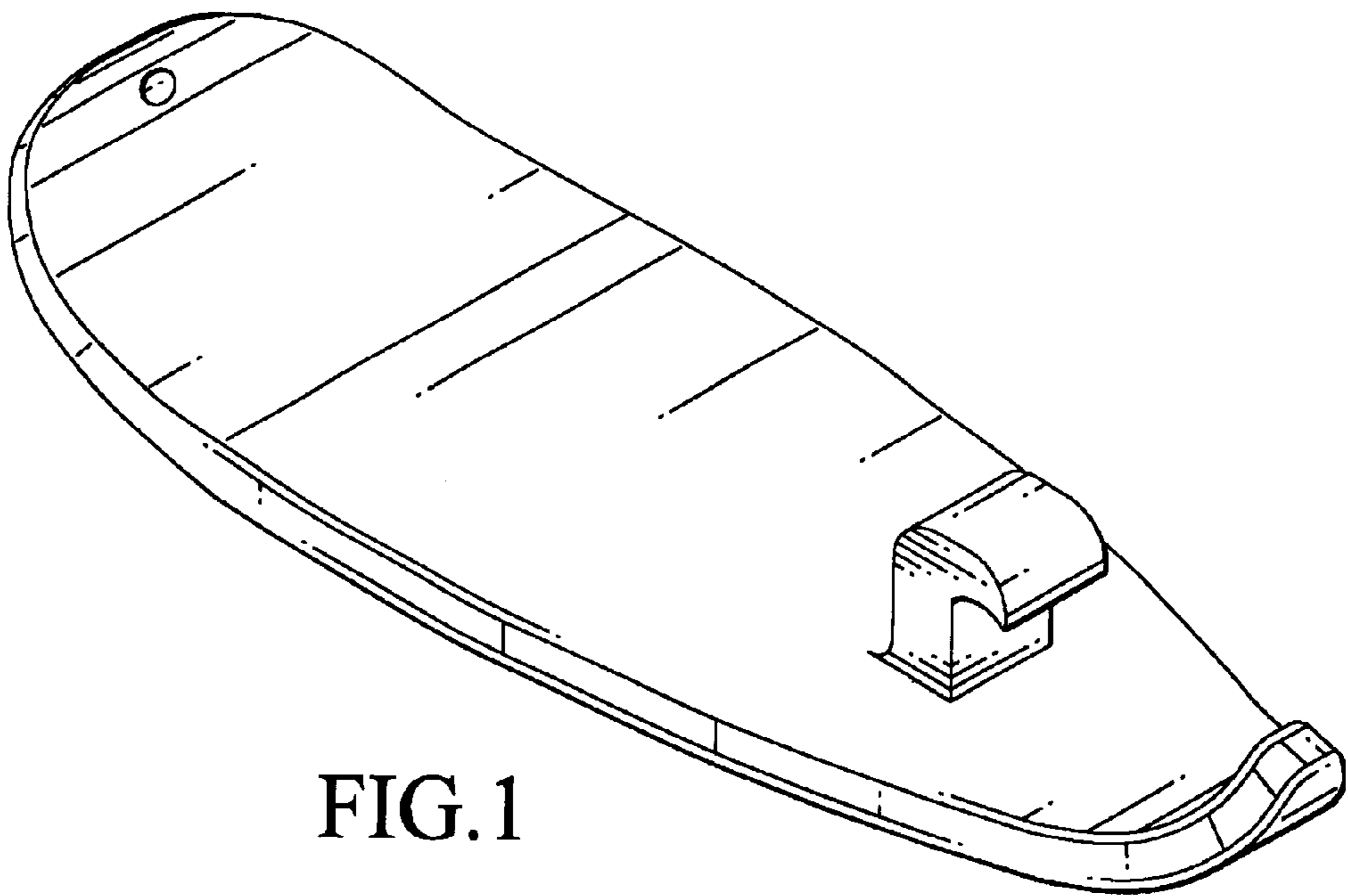


FIG. 1



FIG. 2

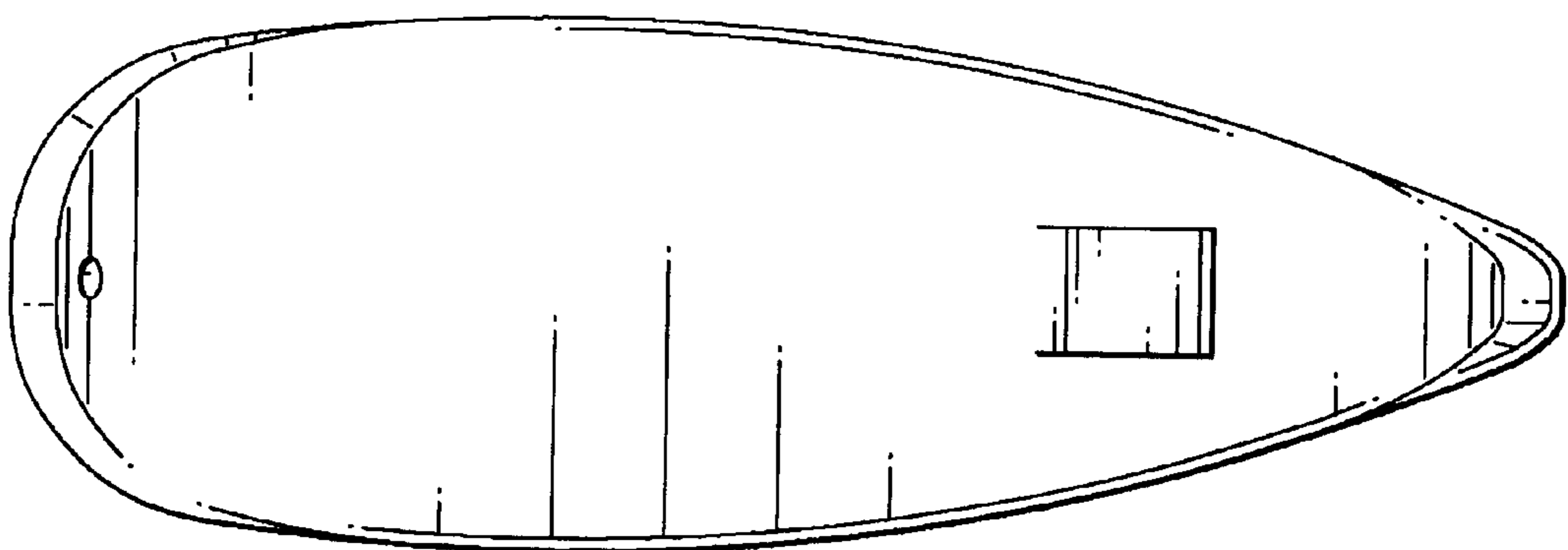


FIG. 3

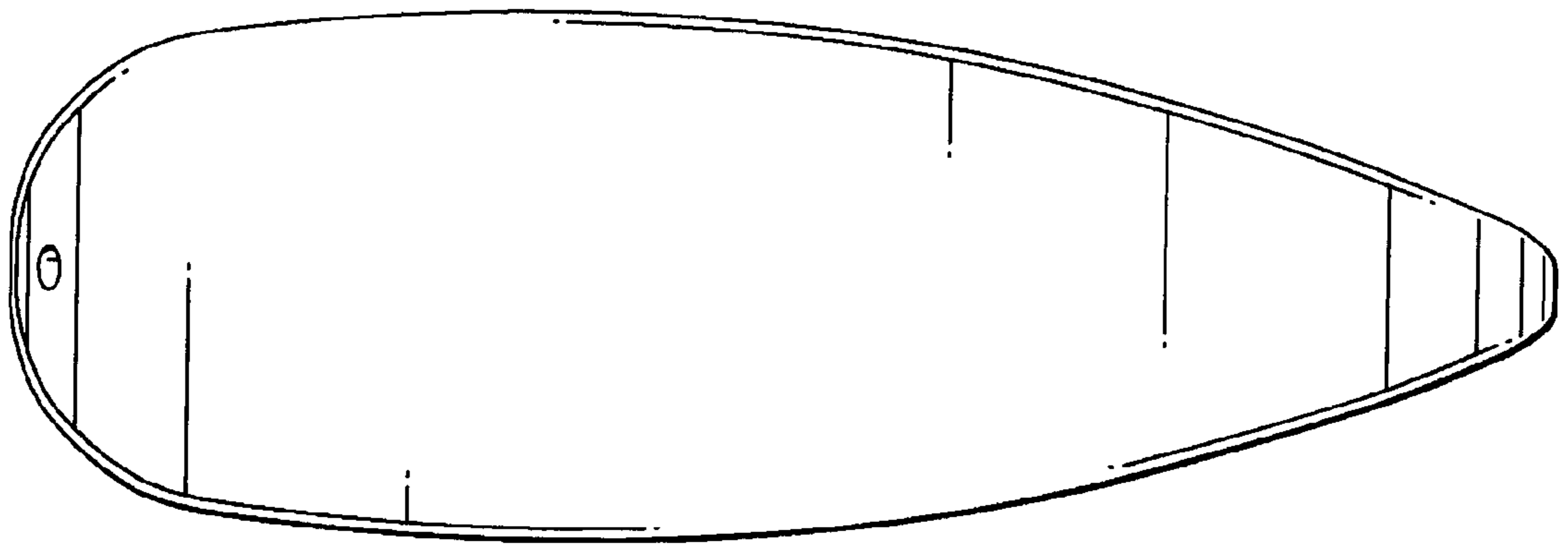


FIG. 4

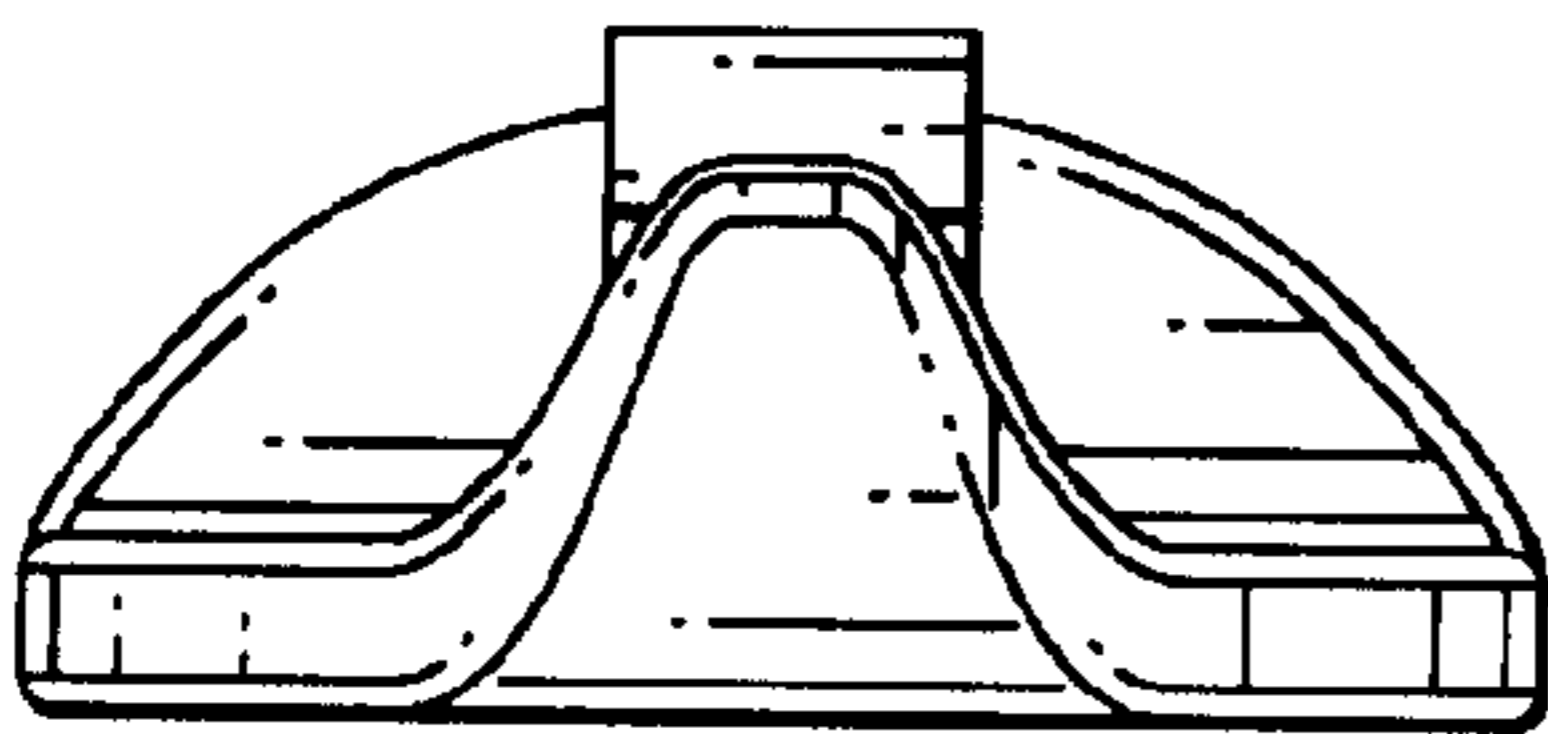


FIG. 5

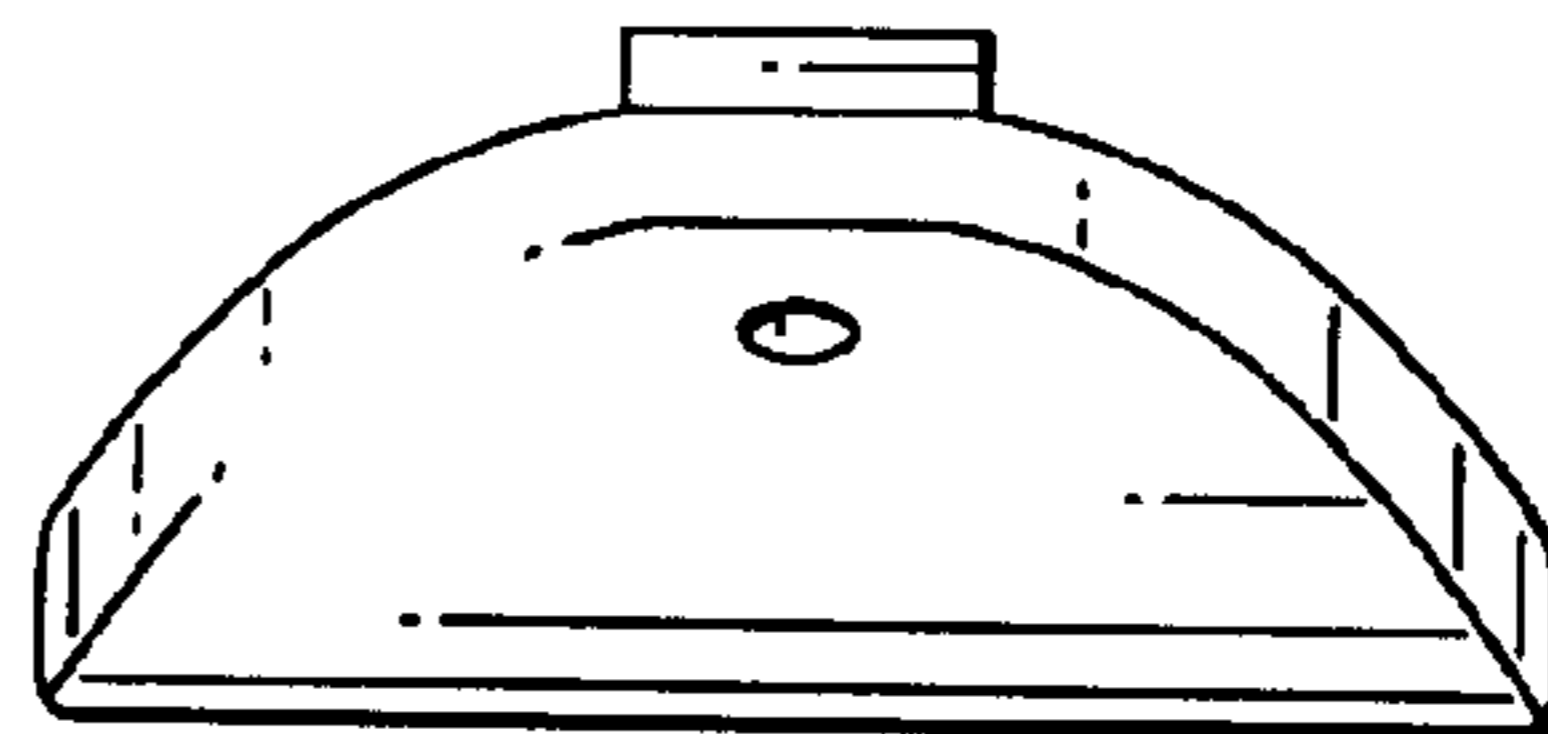


FIG. 6