



US00D454028S

(12) **United States Design Patent**
Coleman

(10) **Patent No.:** **US D454,028 S**

(45) **Date of Patent:** **** *Mar. 5, 2002**

(54) **WOODEN BARBECUE GRILL CART**

D395,378 S * 6/1998 Schlosser et al. D7/403
D437,177 S * 2/2001 Giebel et al. D7/334

(75) Inventor: **Brian Coleman**, Midland, GA (US)

* cited by examiner

(73) Assignee: **W. C. Bradley Company**, Columbus, GA (US)

Primary Examiner—Ruth McInroy

(*) Notice: This patent is subject to a terminal disclaimer.

(74) *Attorney, Agent, or Firm*—James W. Kayden; Thomas, Kayden, Horstemeyer & Risley

(**) Term: **14 Years**

(57) **CLAIM**

The ornamental design of a wooden barbecue grill cart, as shown and described.

(21) Appl. No.: **29/127,778**

DESCRIPTION

(22) Filed: **Aug. 11, 2000**

(51) **LOC (7) Cl.** **07-02**

(52) **U.S. Cl.** **D7/334**

(58) **Field of Search** D7/332–337, 402–404, D7/406; 126/31 R, 40, 50, 9 R, 25 R, 25 A, 25 AA, 29–30, 37 R, 38, 332

FIG. 1 is a perspective view showing my new wooden barbecue grill cart;

FIG. 2 is a left side elevational view thereof;

FIG. 3 is a right side elevational view thereof;

FIG. 4 is a front elevational view thereof.

FIG. 5 is a rear elevational view thereof,

FIG. 6 is a top plan view thereof; and,

FIG. 7 is a bottom plan view thereof.

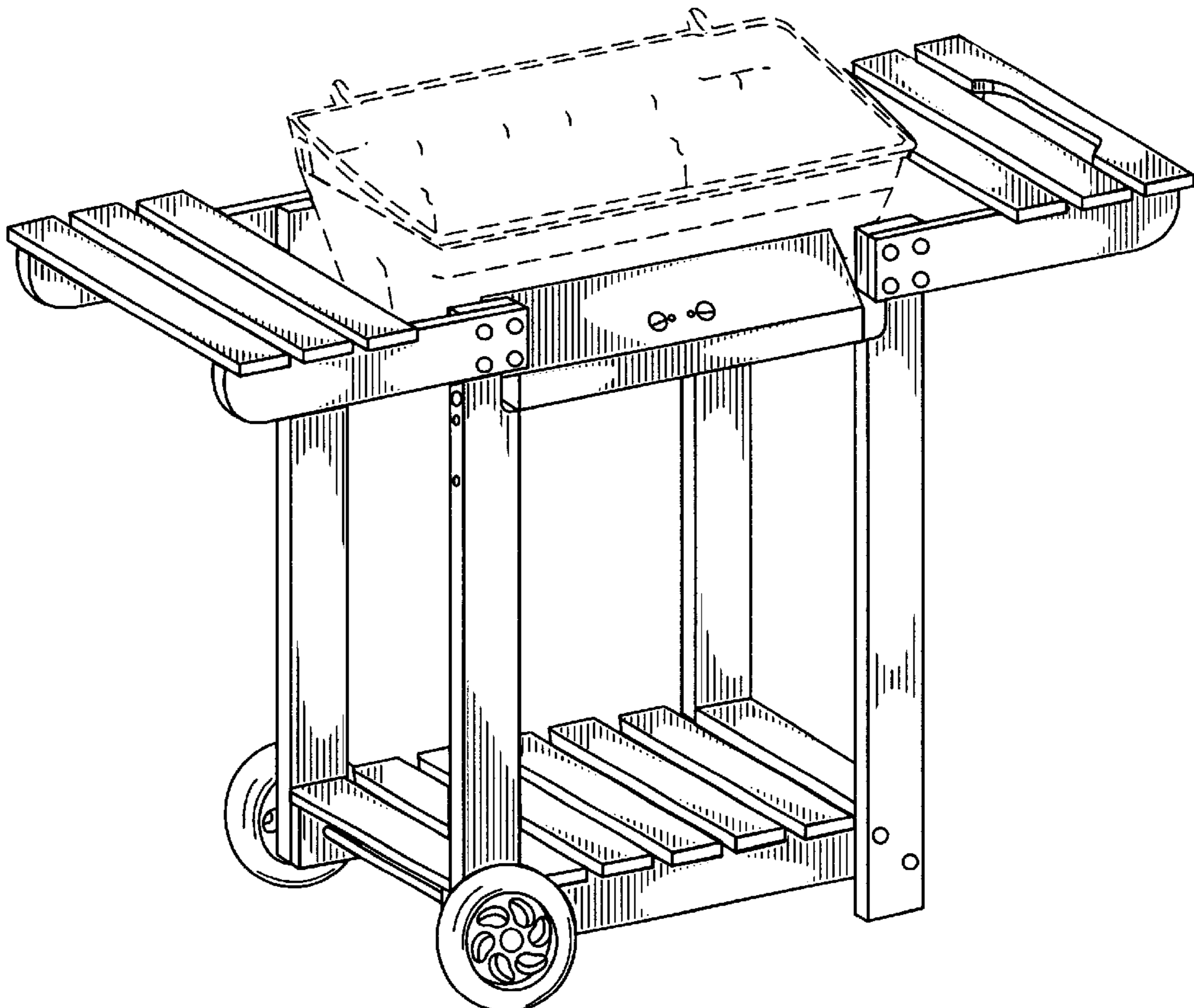
The details shown in broken lines in FIGS. 1–7 are for illustrative purposes only and form no part of the claimed design. Portions of the claimed design obscured by broken lines form no part of the claimed design.

(56) **References Cited**

U.S. PATENT DOCUMENTS

- D322,909 S * 1/1992 Parent et al. D7/334
- D324,622 S * 3/1992 Baynes et al. D7/334
- 5,109,834 A * 5/1992 Collins et al. 126/41 R
- D375,436 S * 11/1996 Bird et al. D7/403
- 5,623,866 A * 4/1997 Home 99/444

1 Claim, 5 Drawing Sheets



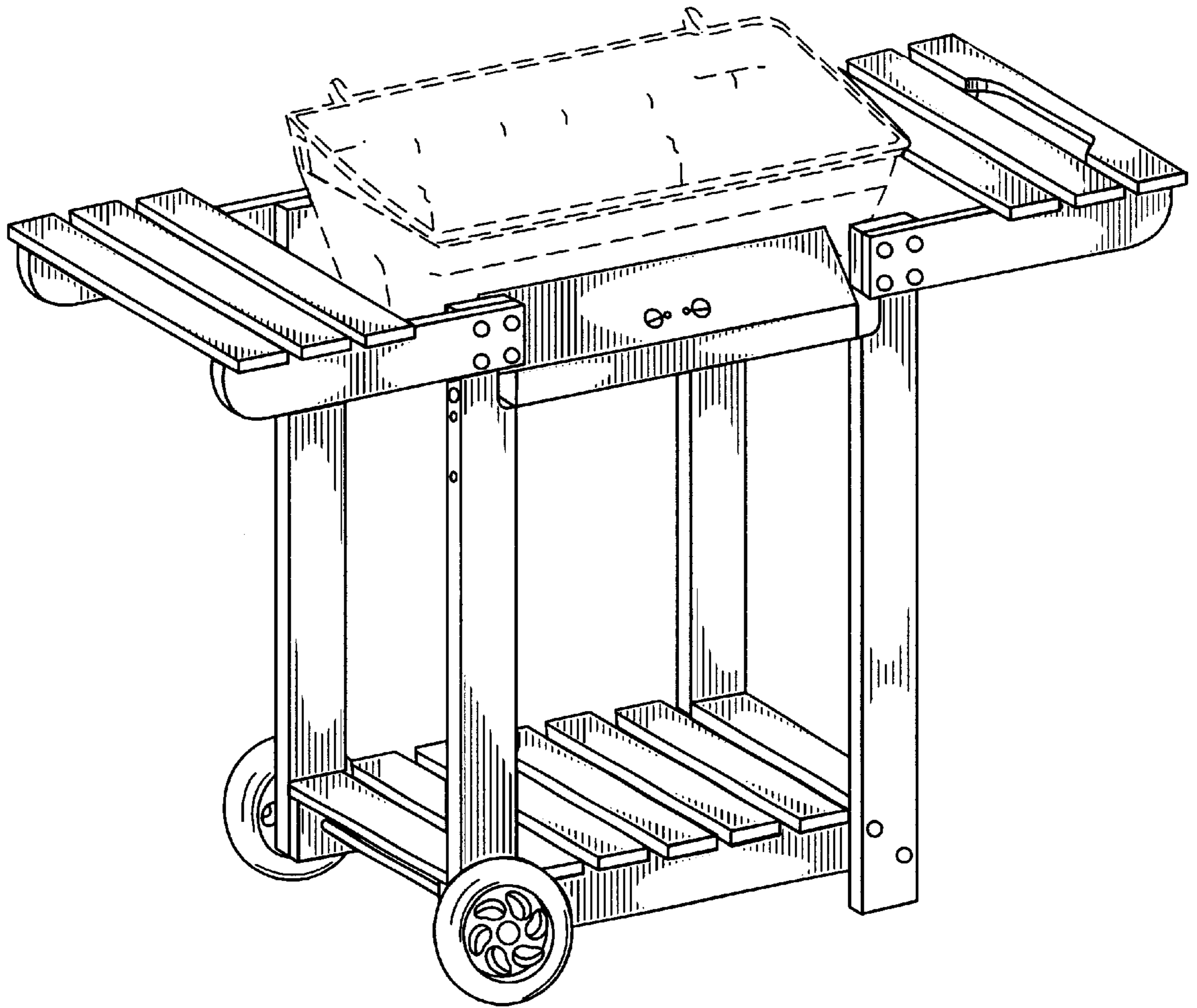


Fig. 1

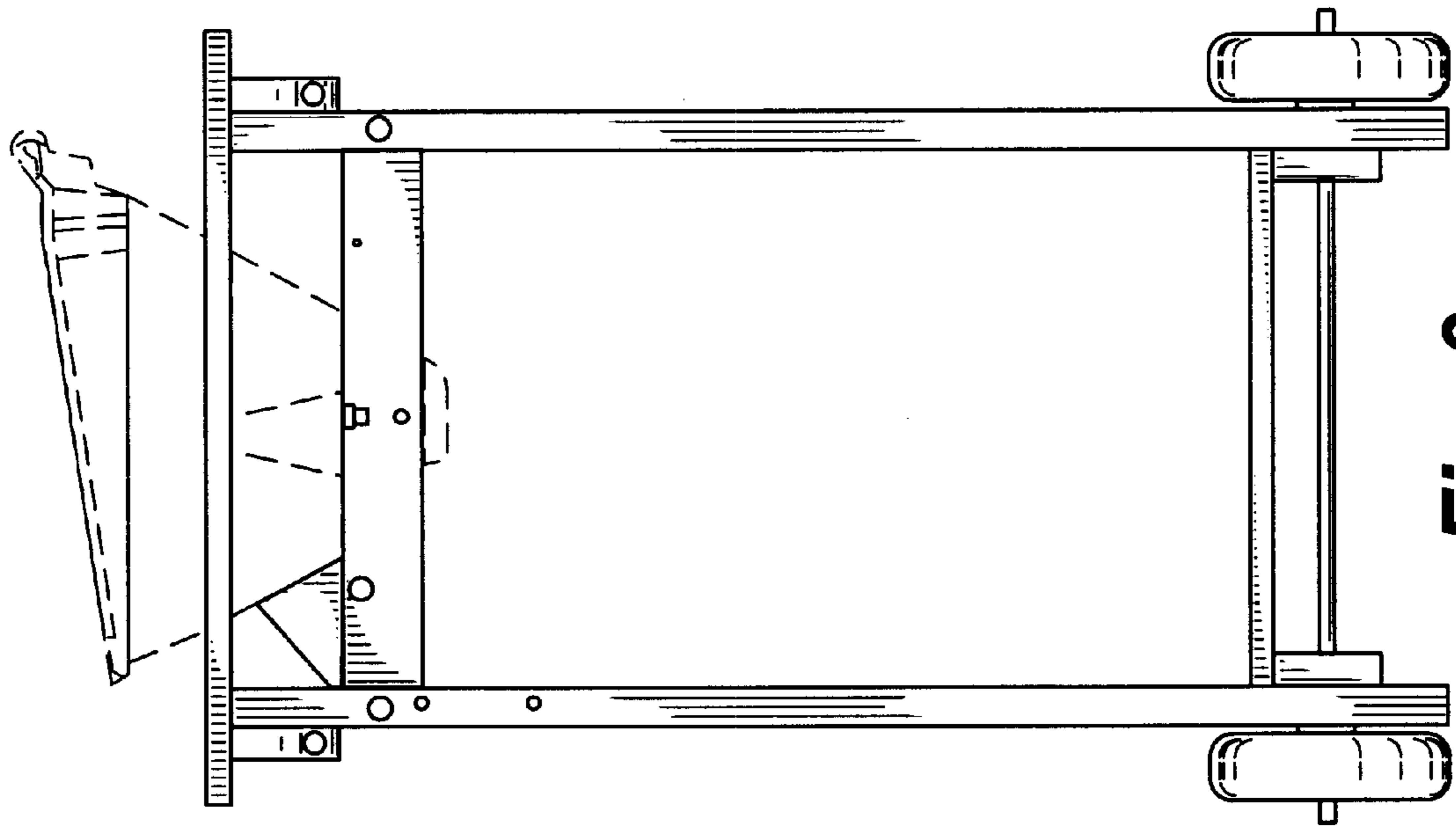


Fig. 3

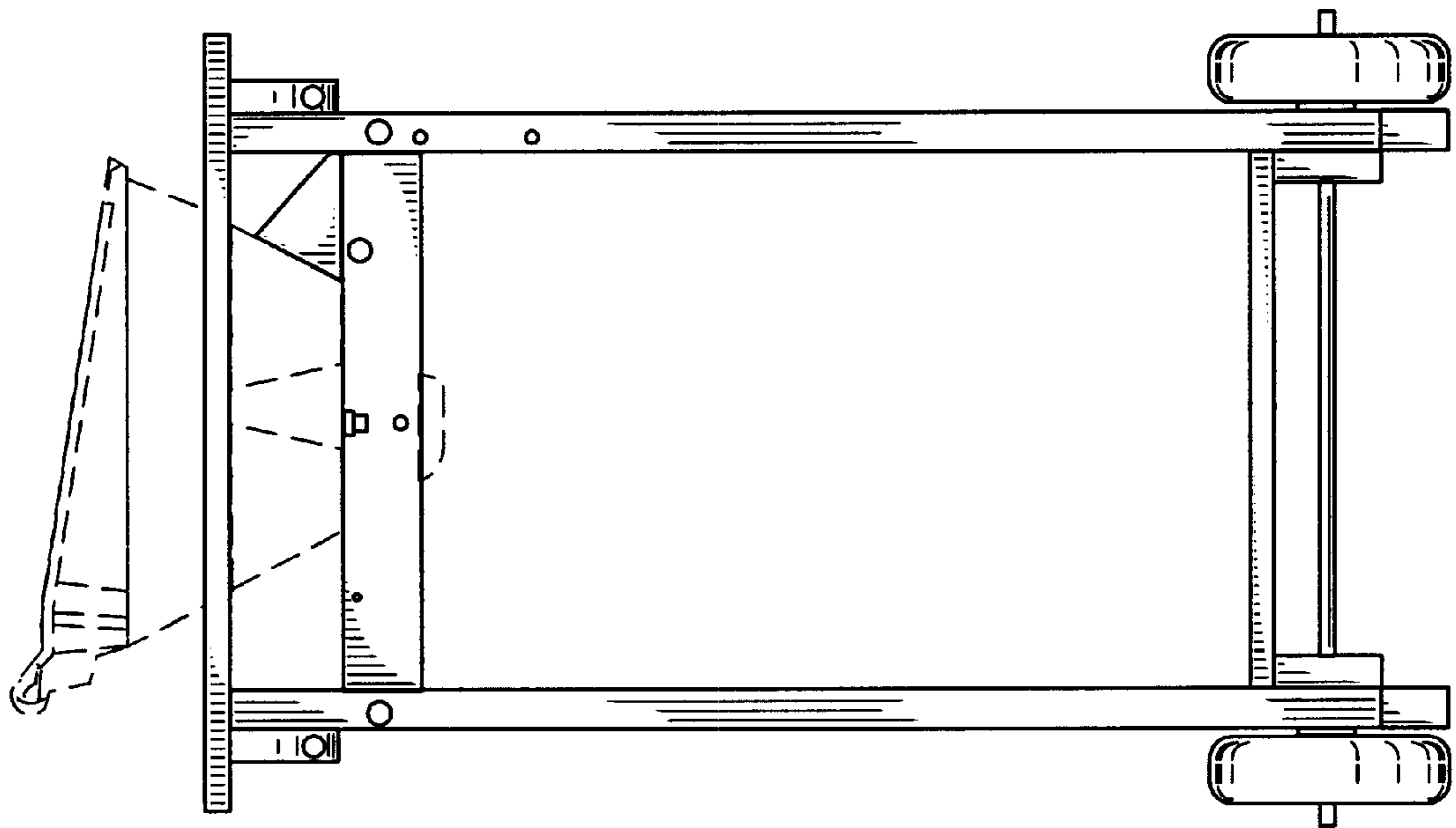


Fig. 2

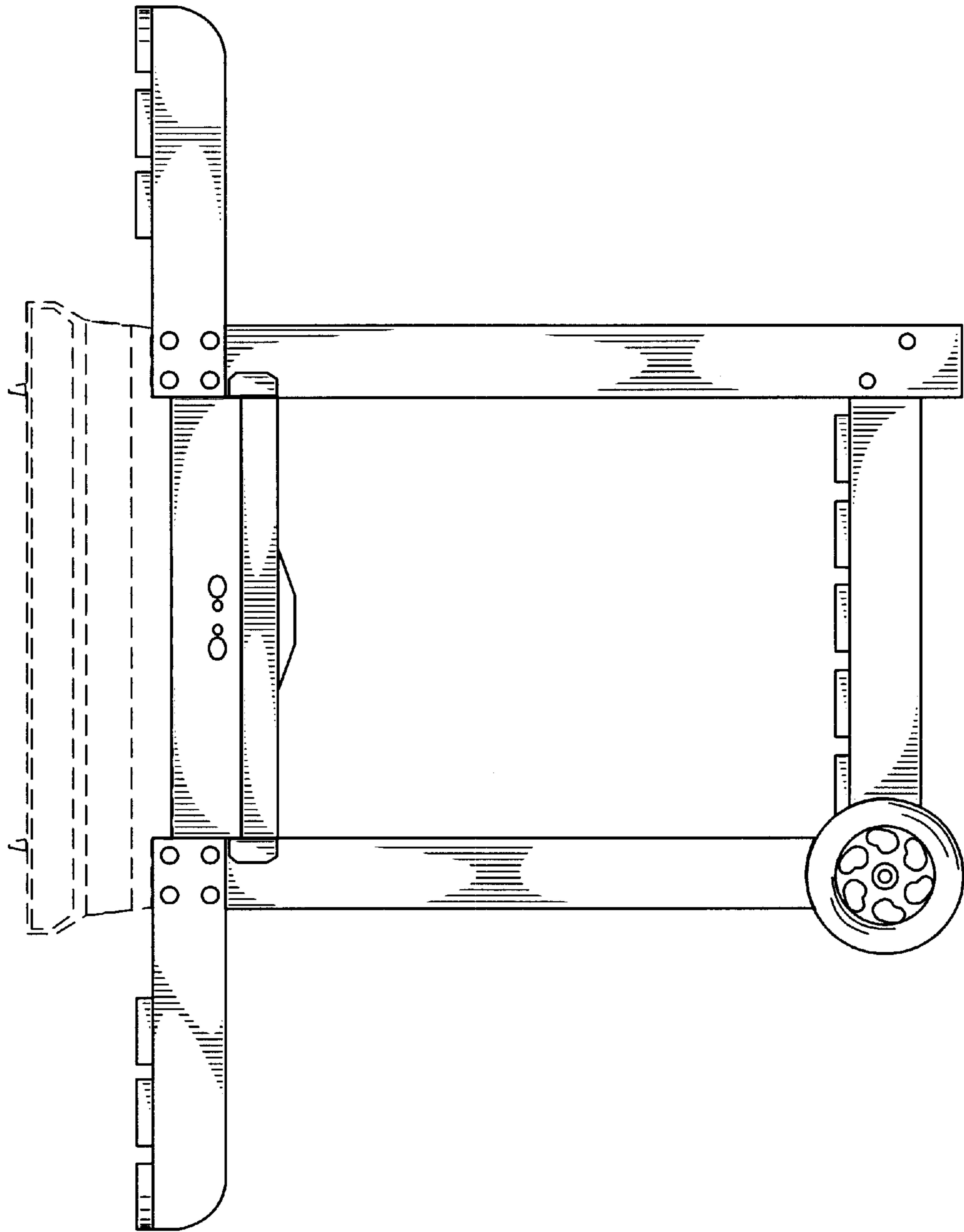


Fig. 4

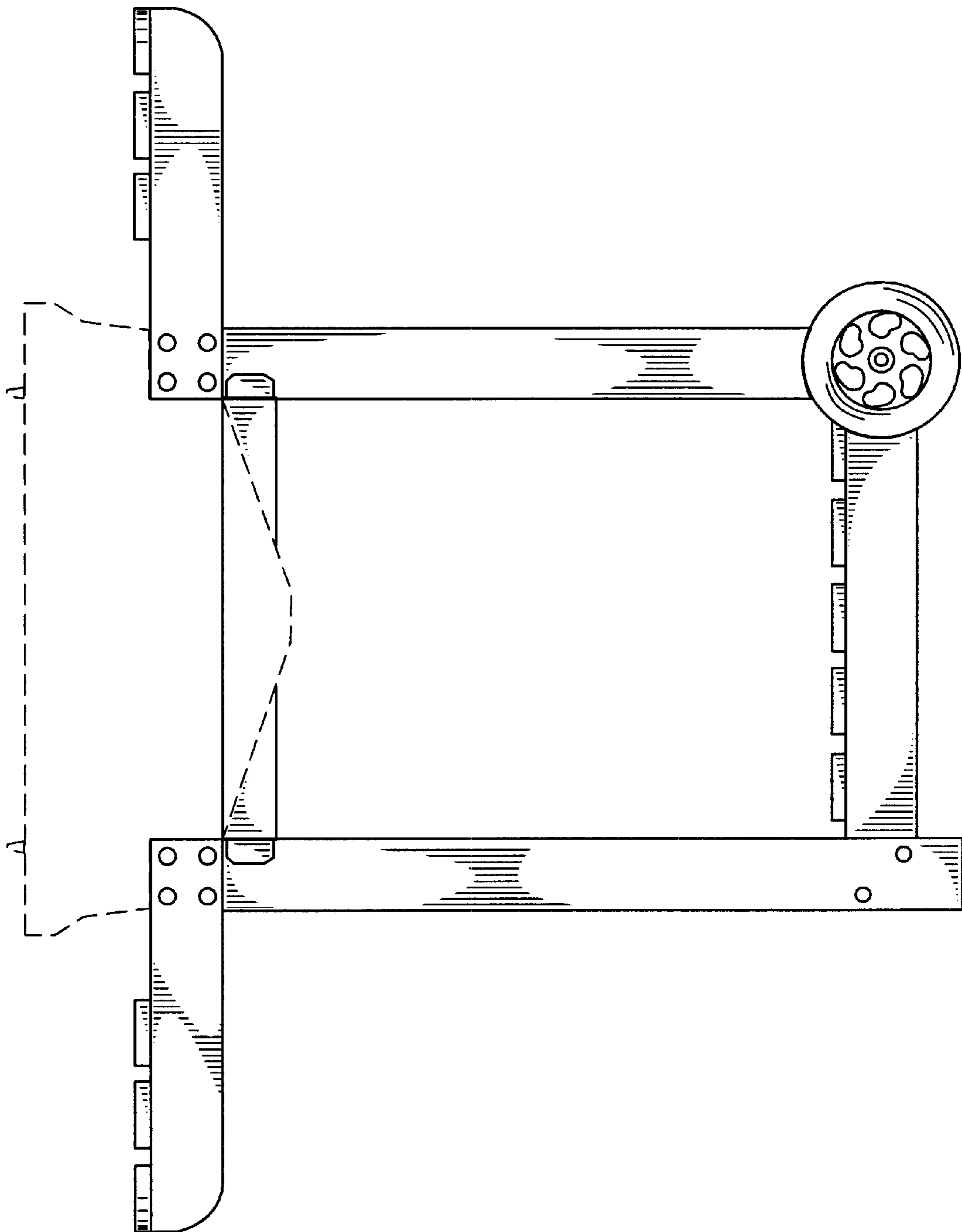


Fig. 5

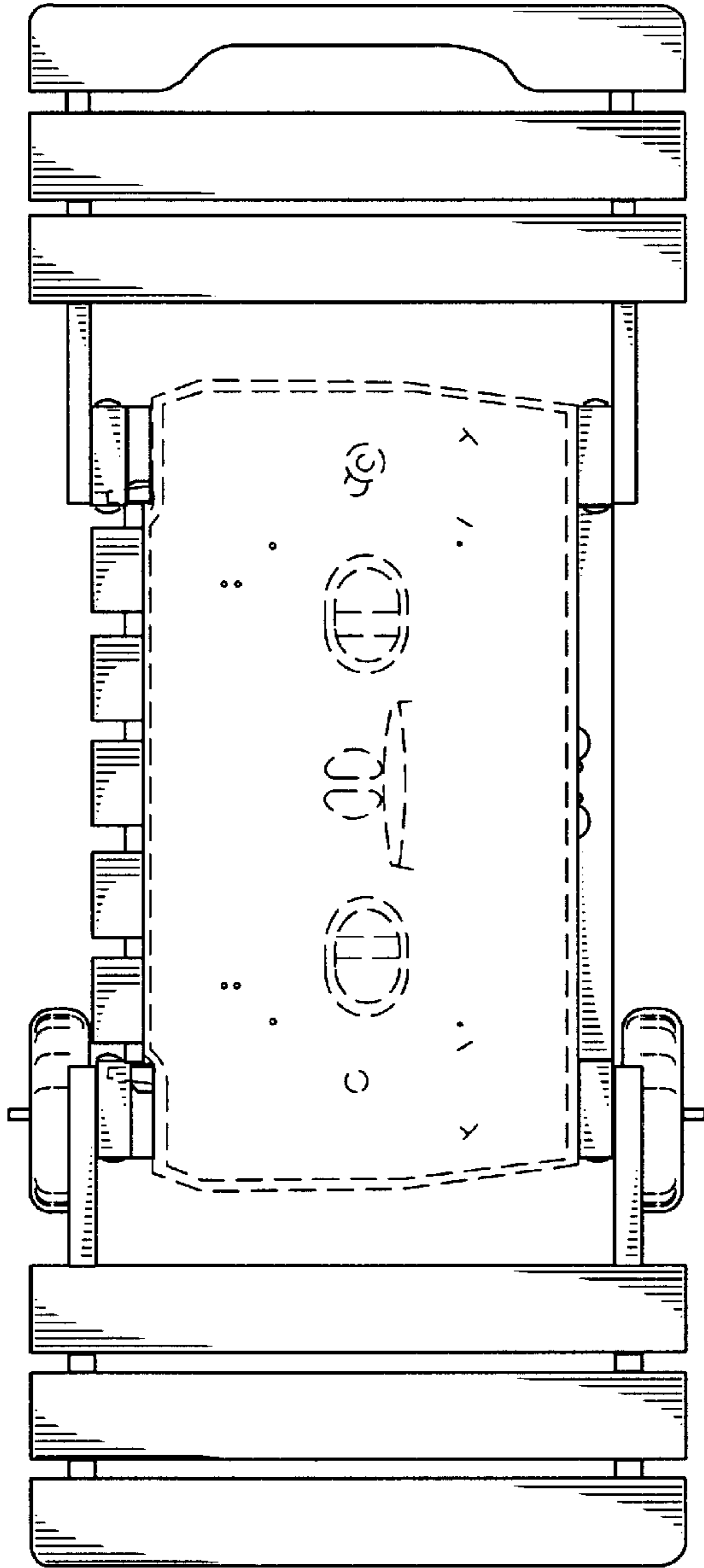


Fig. 6

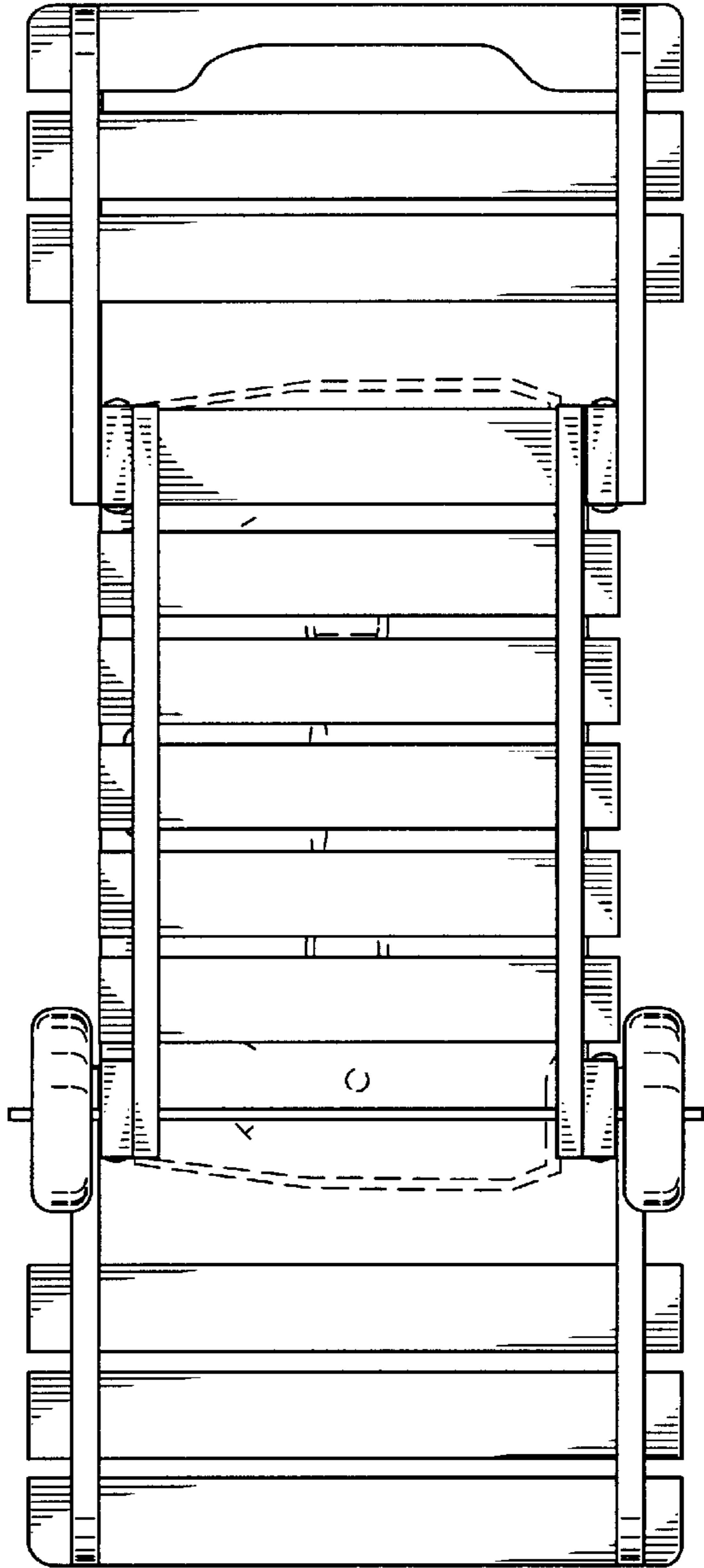


Fig. 7