



US00D454027S

(12) **United States Design Patent**
Rivera

(10) **Patent No.:** **US D454,027 S**
(45) **Date of Patent:** **** Mar. 5, 2002**

(54) **COMBINATION COLLAPSIBLE BARBEQUE GRILL, TABLE AND BENCH**

5,255,664 A * 10/1993 Gurliacci 126/276
D341,553 S * 11/1993 Clawson D12/106
D342,121 S * 12/1993 Lim D23/286
6,041,769 A * 3/2000 Llodra, Jr. et al. 126/41 R

(76) **Inventor:** **George Rivera**, 4305 N. Sunflower,
Covina, CA (US) 91724

* cited by examiner

(**) **Term:** **14 Years**

Primary Examiner—Ruth McInroy

(21) **Appl. No.:** **29/122,307**

(74) *Attorney, Agent, or Firm*—Morland C. Fischer

(22) **Filed:** **Apr. 25, 2000**

(57) **CLAIM**

(51) **LOC (7) Cl.** **07-02**

The ornamental design for a combination collapsible barbeque grill, table and bench, as shown and described.

(52) **U.S. Cl.** **D7/332**

DESCRIPTION

(58) **Field of Search** D7/332-337, 402-404;
99/419, 421 R, 481-482, 467; 126/25 R,
25 A, 25 AA, 9 R, 39 R, 41 R

FIG. 1 is a perspective view of a combination collapsible barbeque grill, table and bench showing my new design, the broken lines being illustrative of a pole for supporting an umbrella and forming no part of my design;

(56) **References Cited**

U.S. PATENT DOCUMENTS

D251,537 S * 4/1979 Vredenburg D7/334
D251,538 S * 4/1979 Vredenburg D7/334
D262,086 S * 12/1981 Miller D7/333
D285,522 S * 9/1986 Basini D7/334
5,031,602 A * 7/1991 Vick 126/25 R
D328,125 S * 7/1992 Bae D23/286

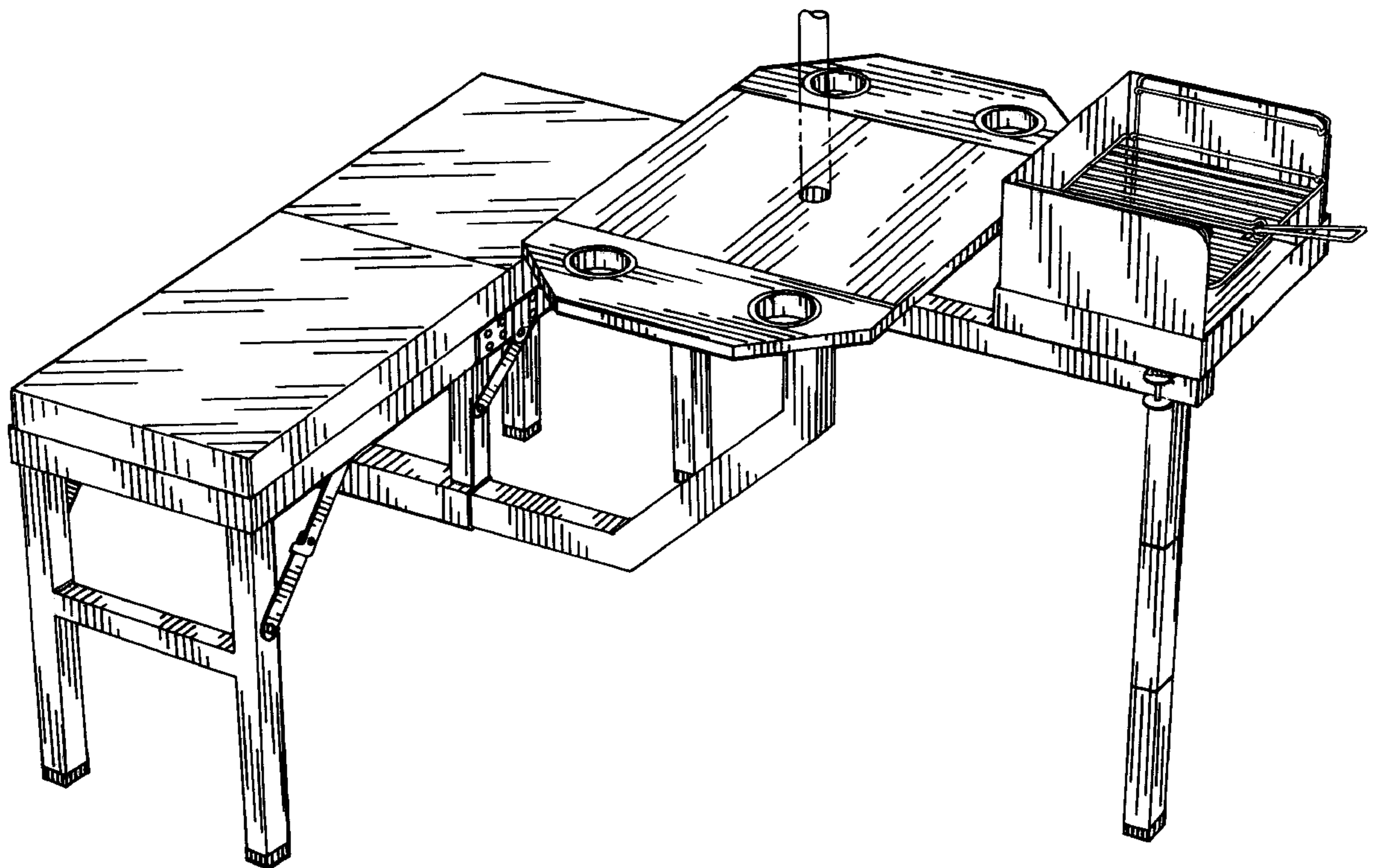
FIG. 2 is a side elevational view thereof, the opposite side being mirror image;

FIG. 3 is a top plan view thereof;

FIG. 4 is a front elevational view thereof; and,

FIG. 5 is a rear elevational view thereof.

1 Claim, 4 Drawing Sheets



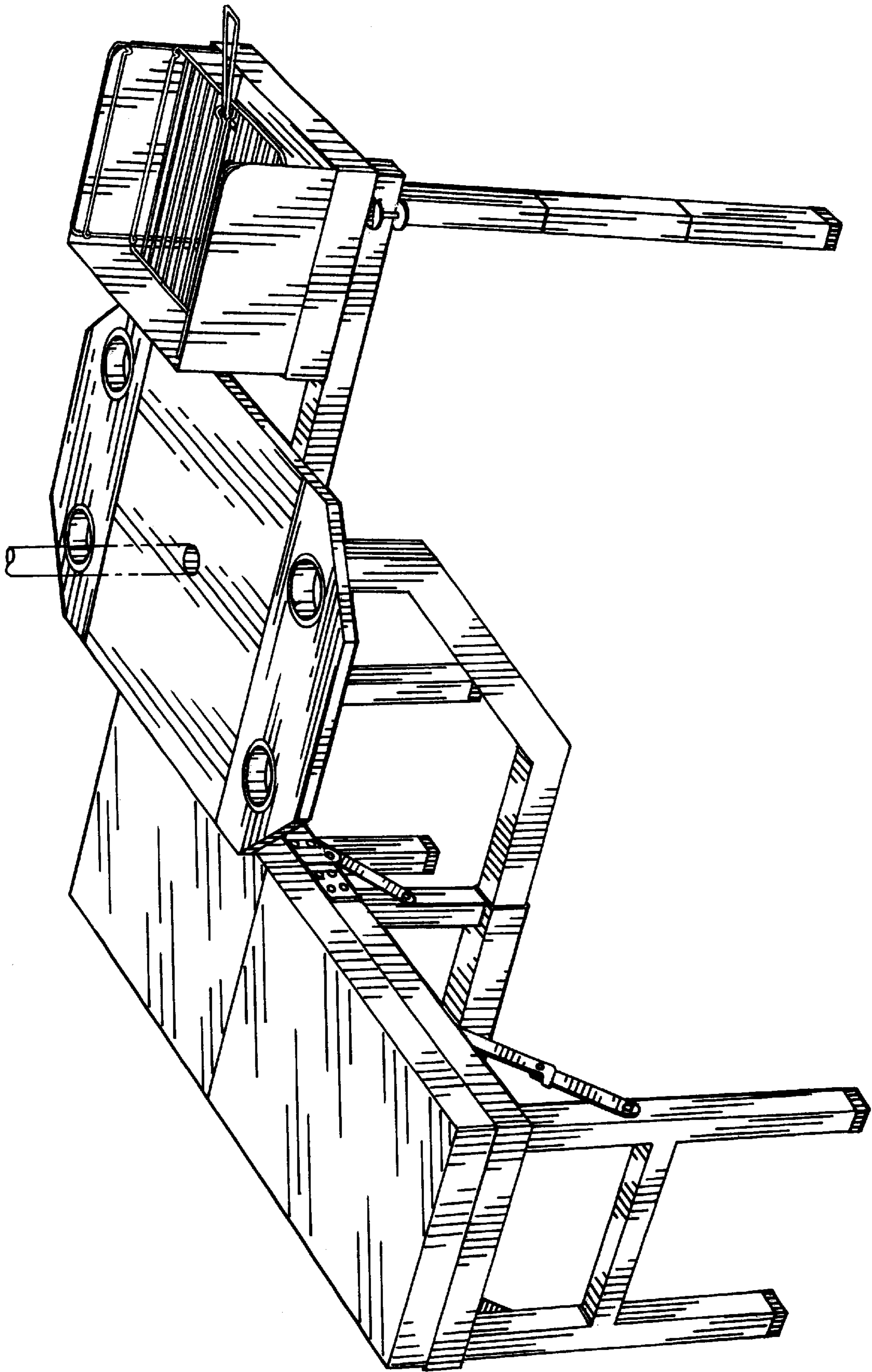


FIG. 1

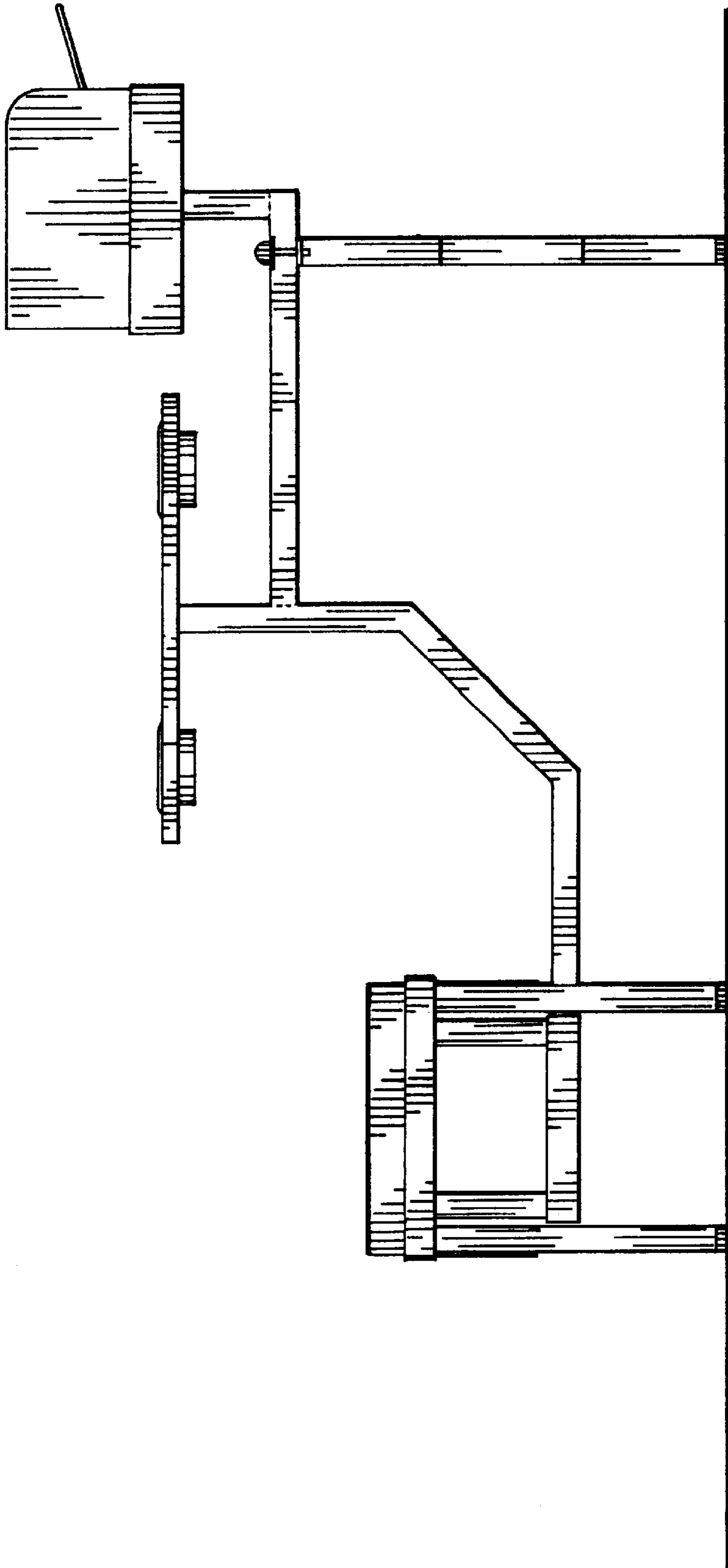


FIG. 2

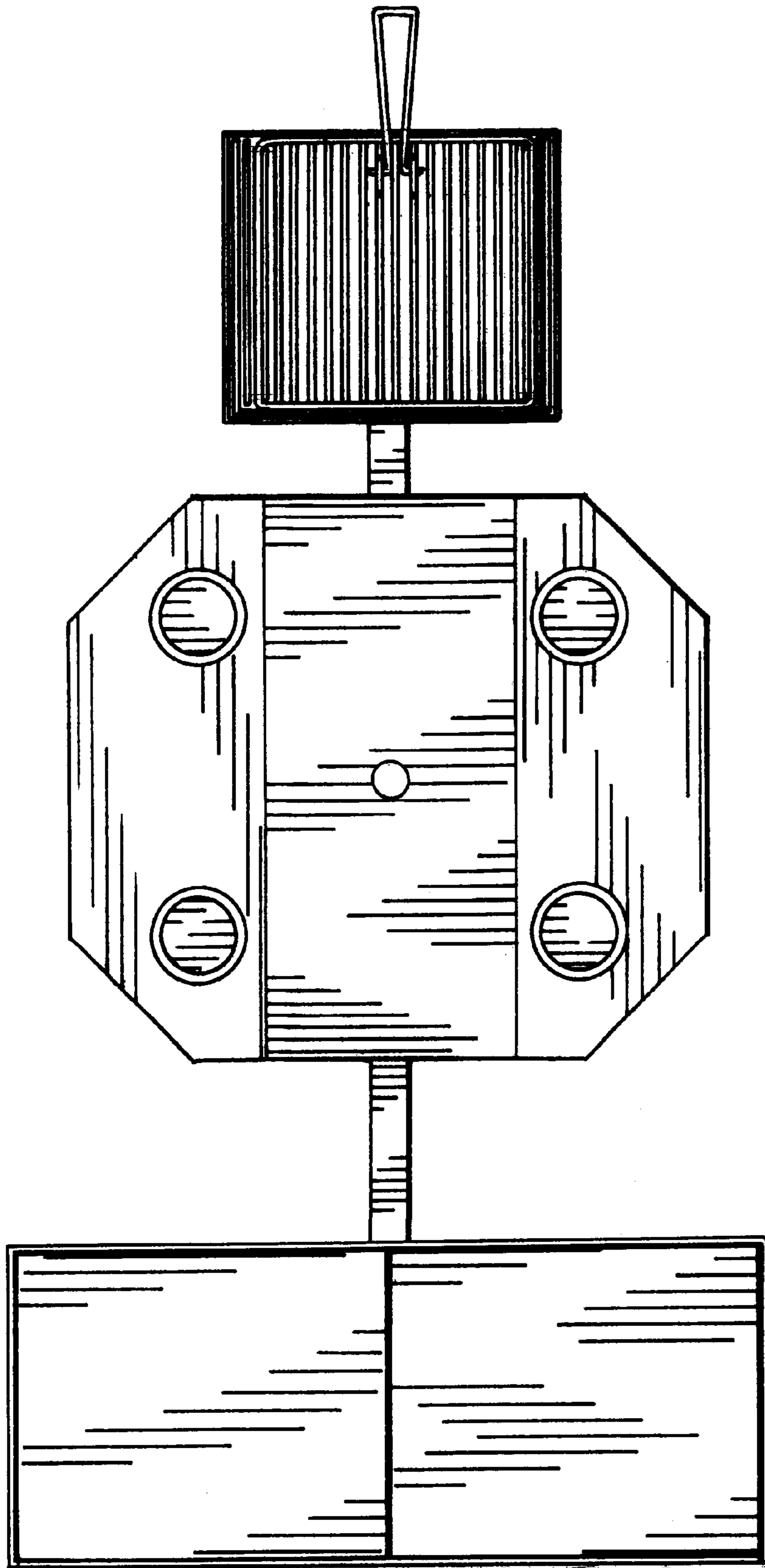


FIG. 3

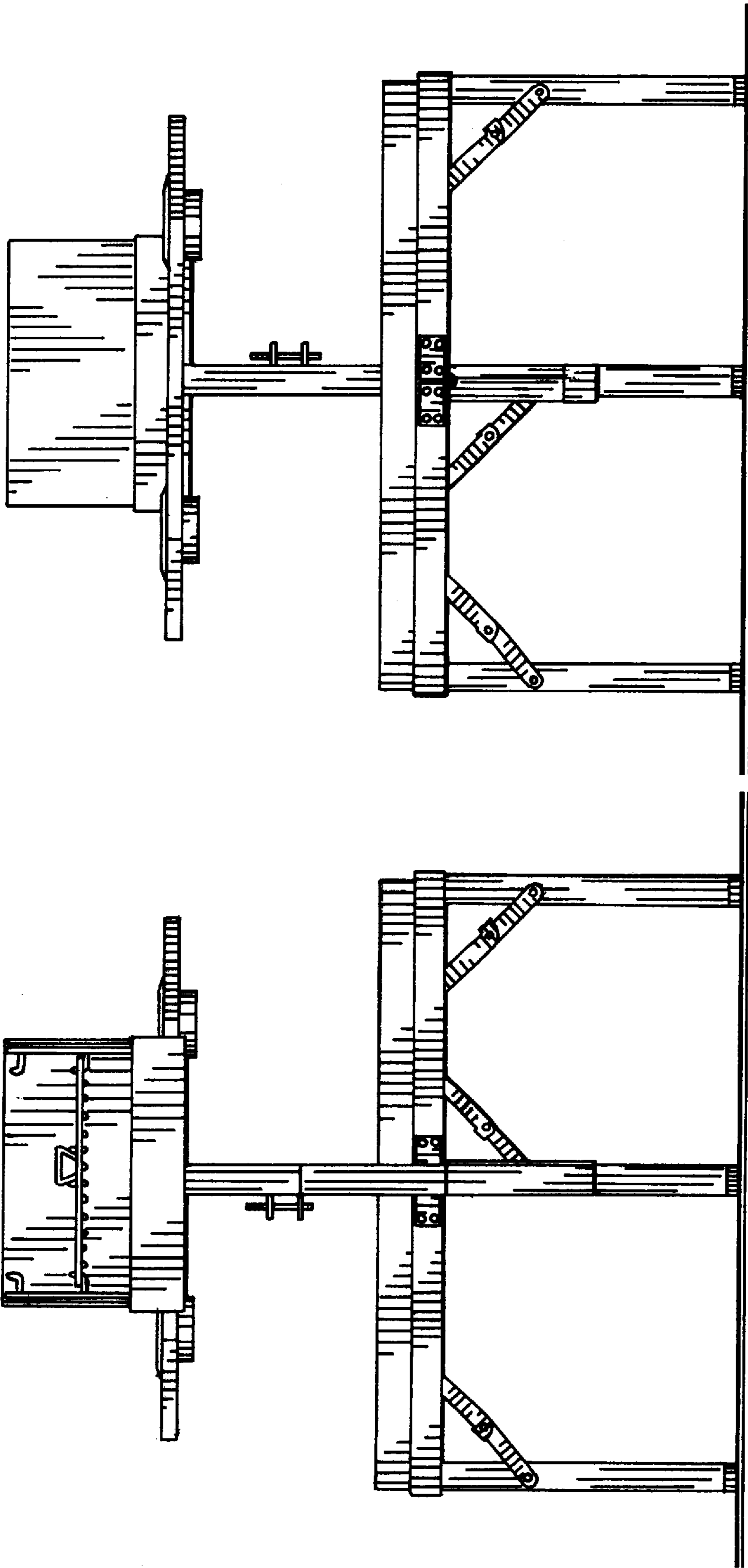


FIG. 5

FIG. 4