



US00D454023S

(12) **United States Design Patent**  
**Wang**

(10) **Patent No.:** **US D454,023 S**

(45) **Date of Patent:** **\*\* Mar. 5, 2002**

(54) **COMMERCIAL COFFEE MAKER**

(76) Inventor: **Chin-Lin Wang**, 8F, No. 53, Nanchang Rd., Sec. 2, Taipei (TW)

(\*\*) Term: **14 Years**

(21) Appl. No.: **29/125,109**

(22) Filed: **Jun. 19, 2000**

(51) **LOC (7) Cl.** ..... **07-01**

(52) **U.S. Cl.** ..... **D7/309; D7/311**

(58) **Field of Search** ..... **D7/300, 309, 310, D7/311, 312; 99/305, 306, 295, 285, 289, 280, 279, 299, 281**

D288,887 S	*	3/1987	Schultz, Sr.	.....	D7/309
4,829,888 A	*	5/1989	Webster et al.	.....	99/284
4,892,031 A	*	1/1990	Webster et al.	.....	99/284
4,917,005 A	*	4/1990	Knepler	.....	99/280
D316,795 S	*	5/1991	Brewer	.....	D7/308
D350,868 S	*	9/1994	Newman	.....	D7/305
D432,861 S	*	10/2000	Lord et al.	.....	D7/397

\* cited by examiner

*Primary Examiner*—M. N. Pandozzi

(74) *Attorney, Agent, or Firm*—Ostrolenk, Faber, Gerb & Soffen, LLP

(57) **CLAIM**

The ornamental design for commercial coffee maker, as shown and described.

(56) **References Cited**

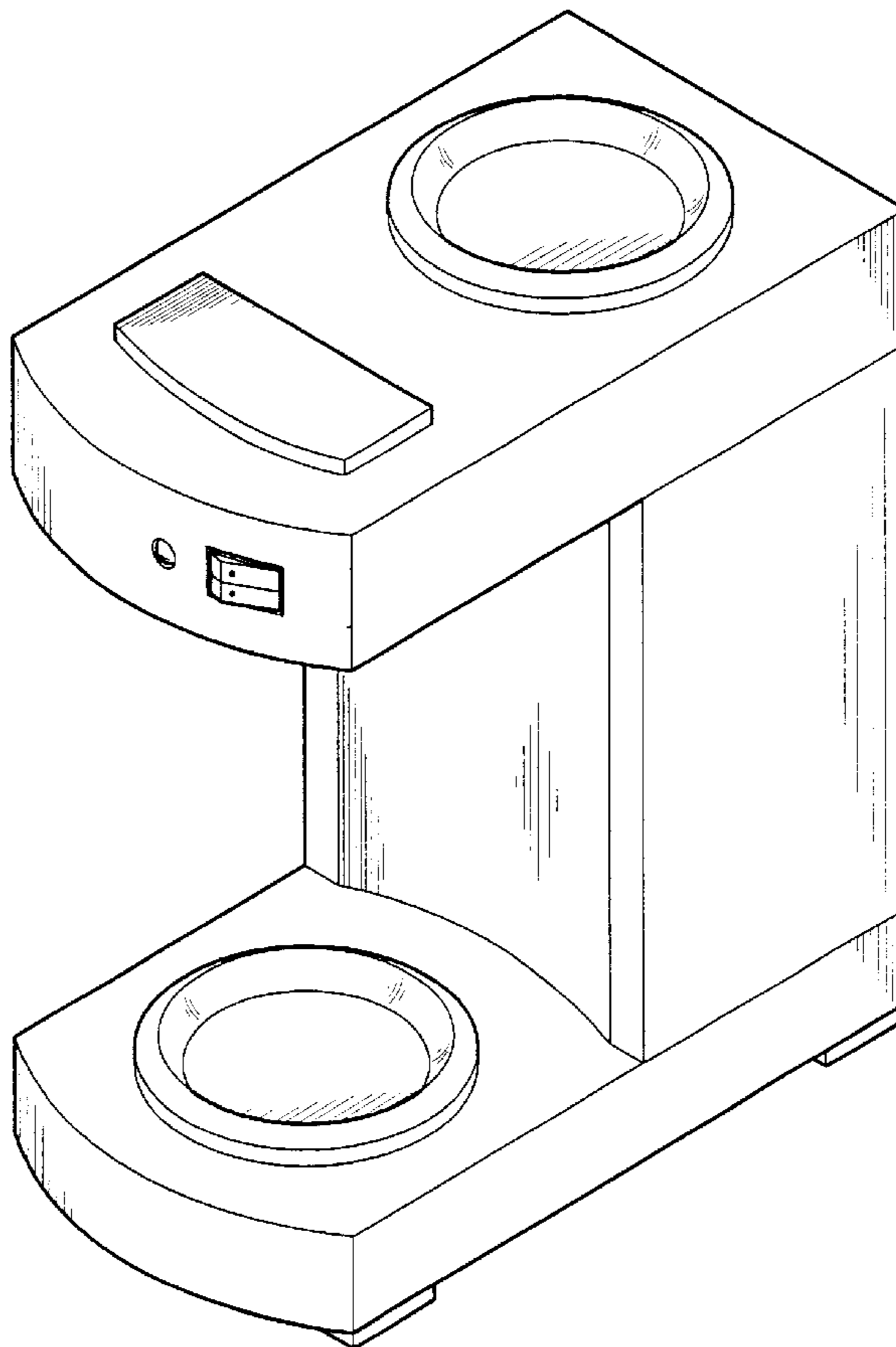
**U.S. PATENT DOCUMENTS**

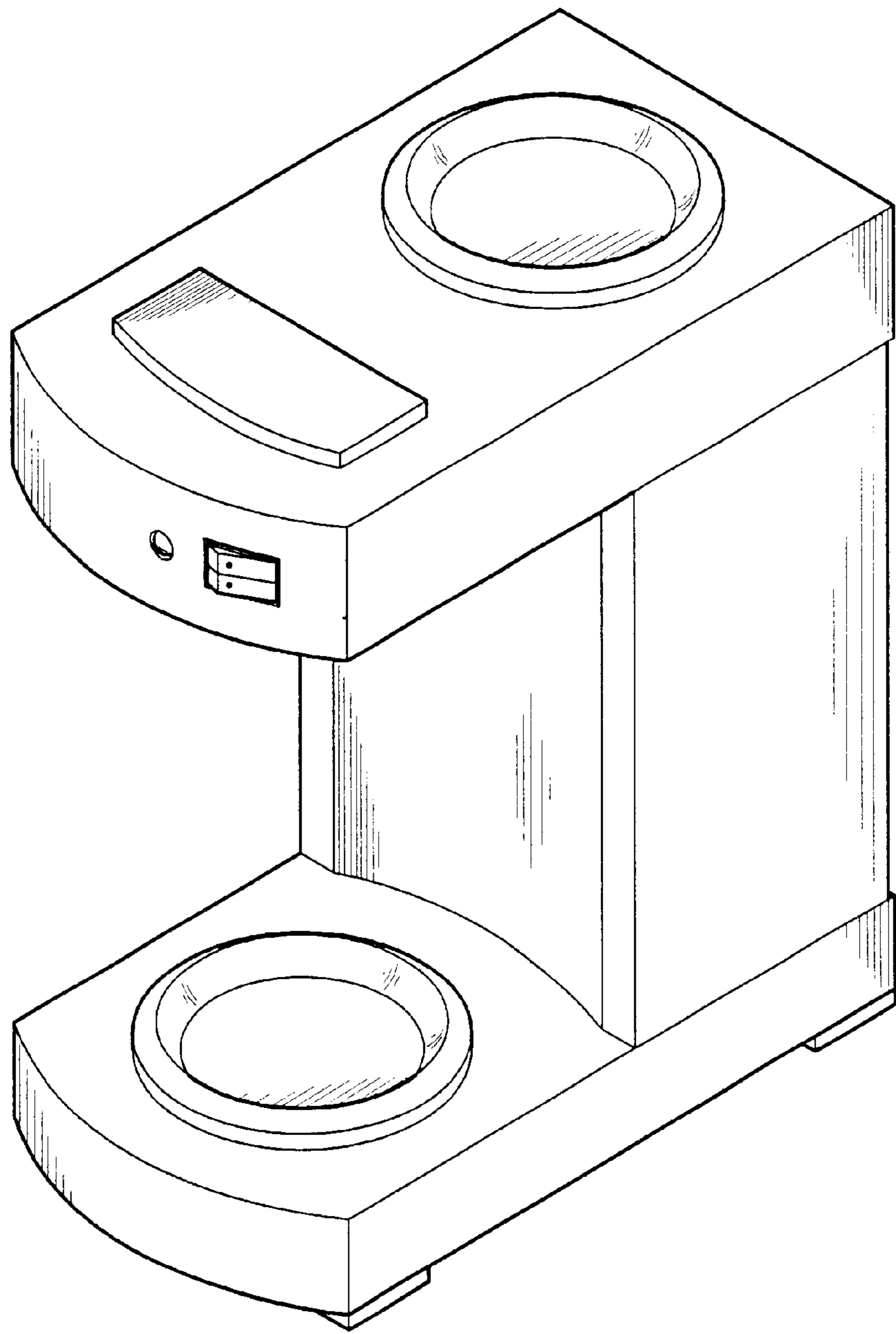
D209,125 S	*	10/1967	Martin	.....	D7/309
D209,126 S	*	10/1967	Martin	.....	D7/309
D243,057 S	*	1/1977	Painter	.....	D7/309
D243,737 S	*	3/1977	Painter	.....	D7/309
D245,163 S	*	7/1977	George	.....	D7/309
4,218,965 A	*	8/1980	Petry	.....	99/283
D274,029 S	*	5/1984	Daugherty	.....	D7/309
4,464,981 A	*	8/1984	Stover	.....	99/280
4,478,139 A	*	10/1984	Zimmerman	.....	99/280

**DESCRIPTION**

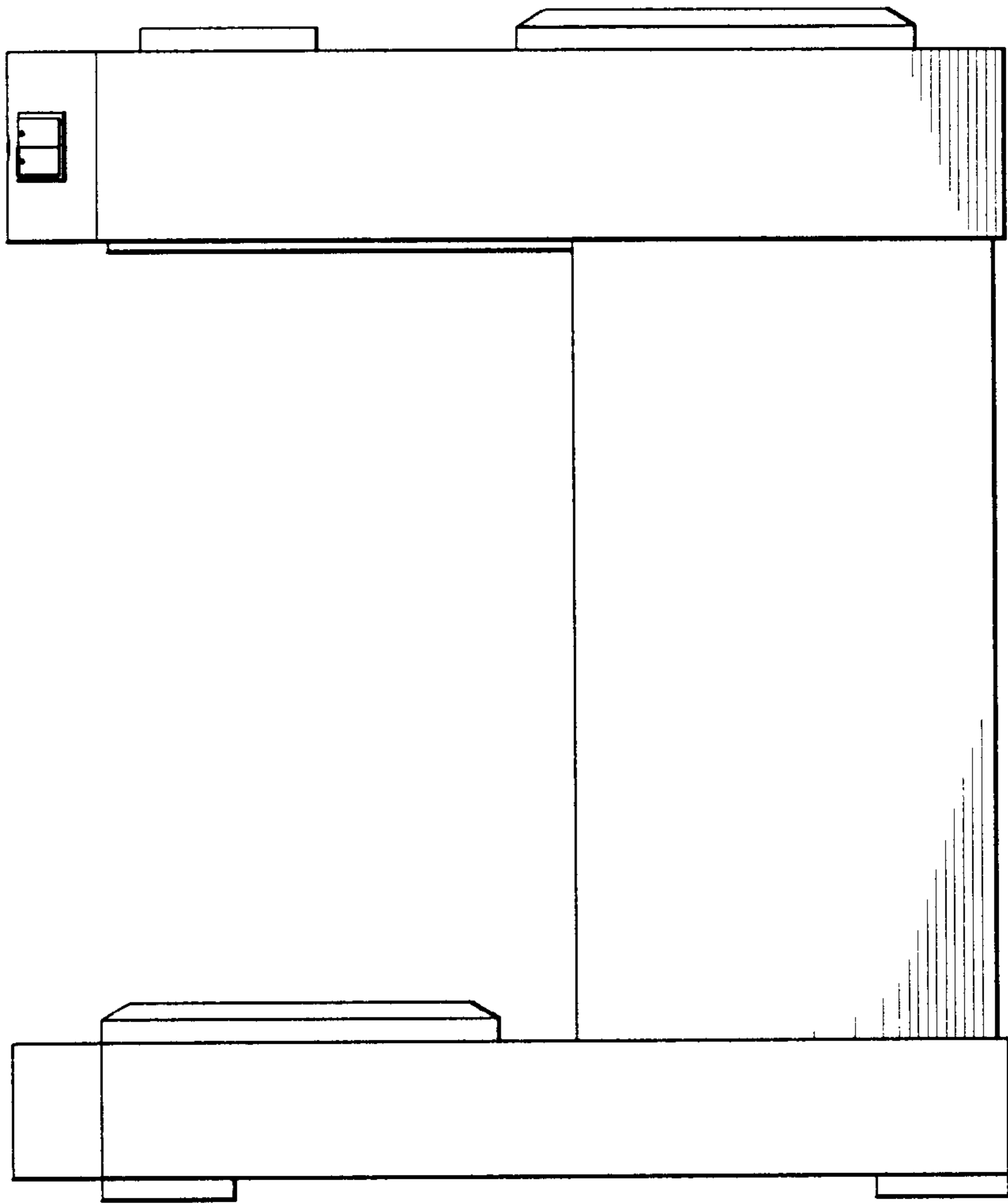
FIG. 1 is a perspective view of commercial coffee maker showing my new design;  
FIG. 2 is right side elevational view thereof;  
FIG. 3 is a top view thereof;  
FIG. 4 is a front elevational view thereof;  
FIG. 5 is a bottom view thereof;  
FIG. 6 is a left side elevational view thereof; and,  
FIG. 7 is a rear elevational view thereof.

**1 Claim, 7 Drawing Sheets**

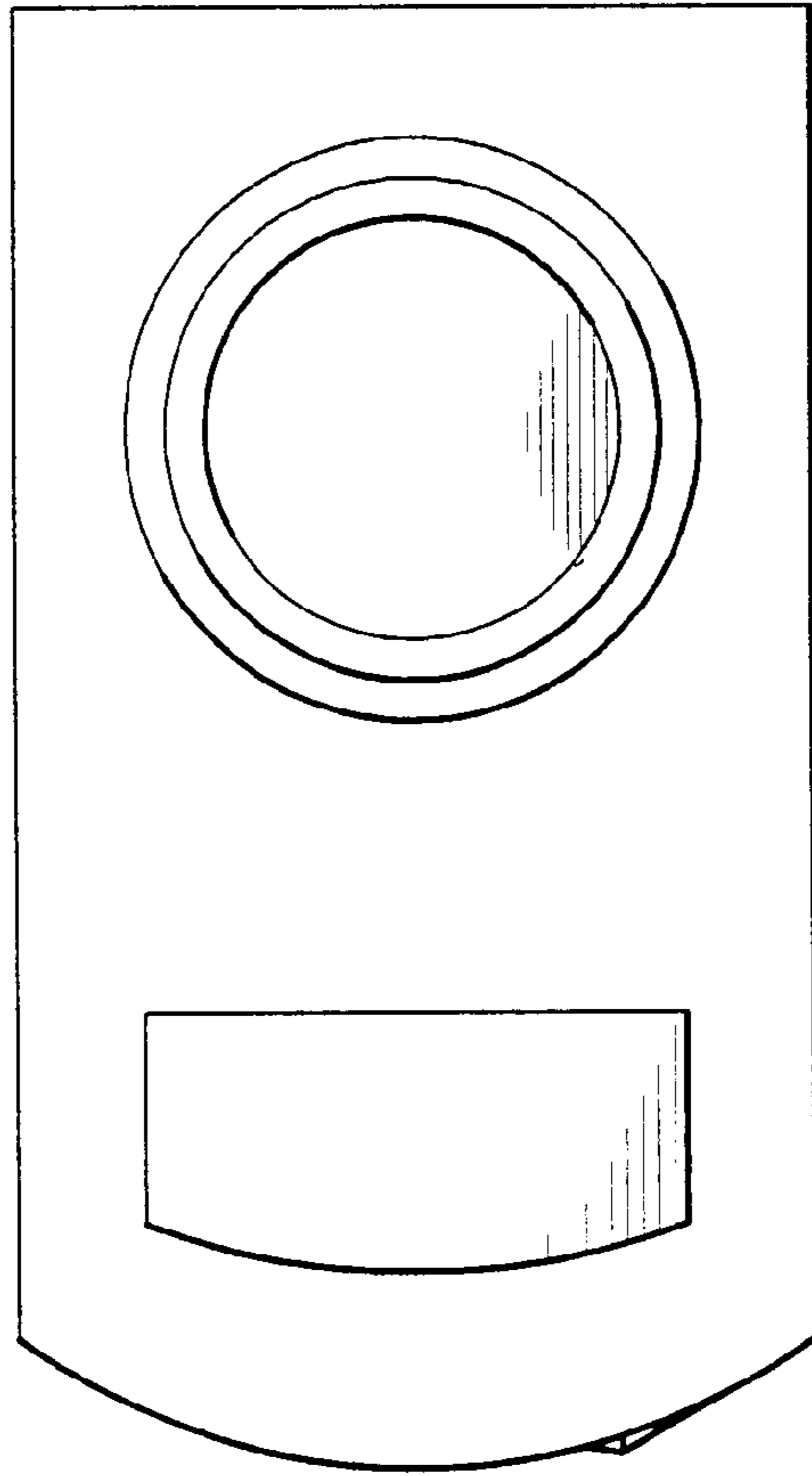




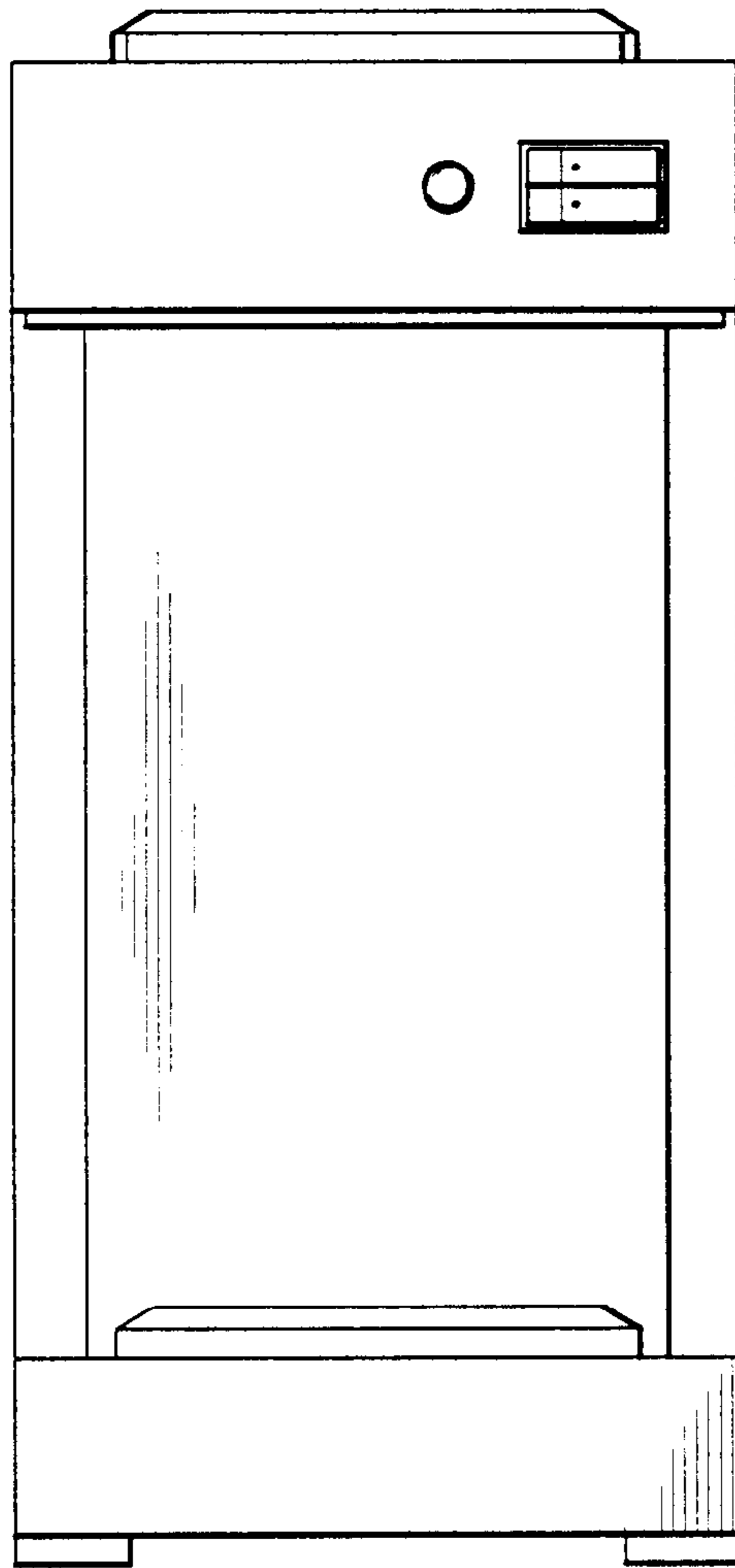
**Fig.1**



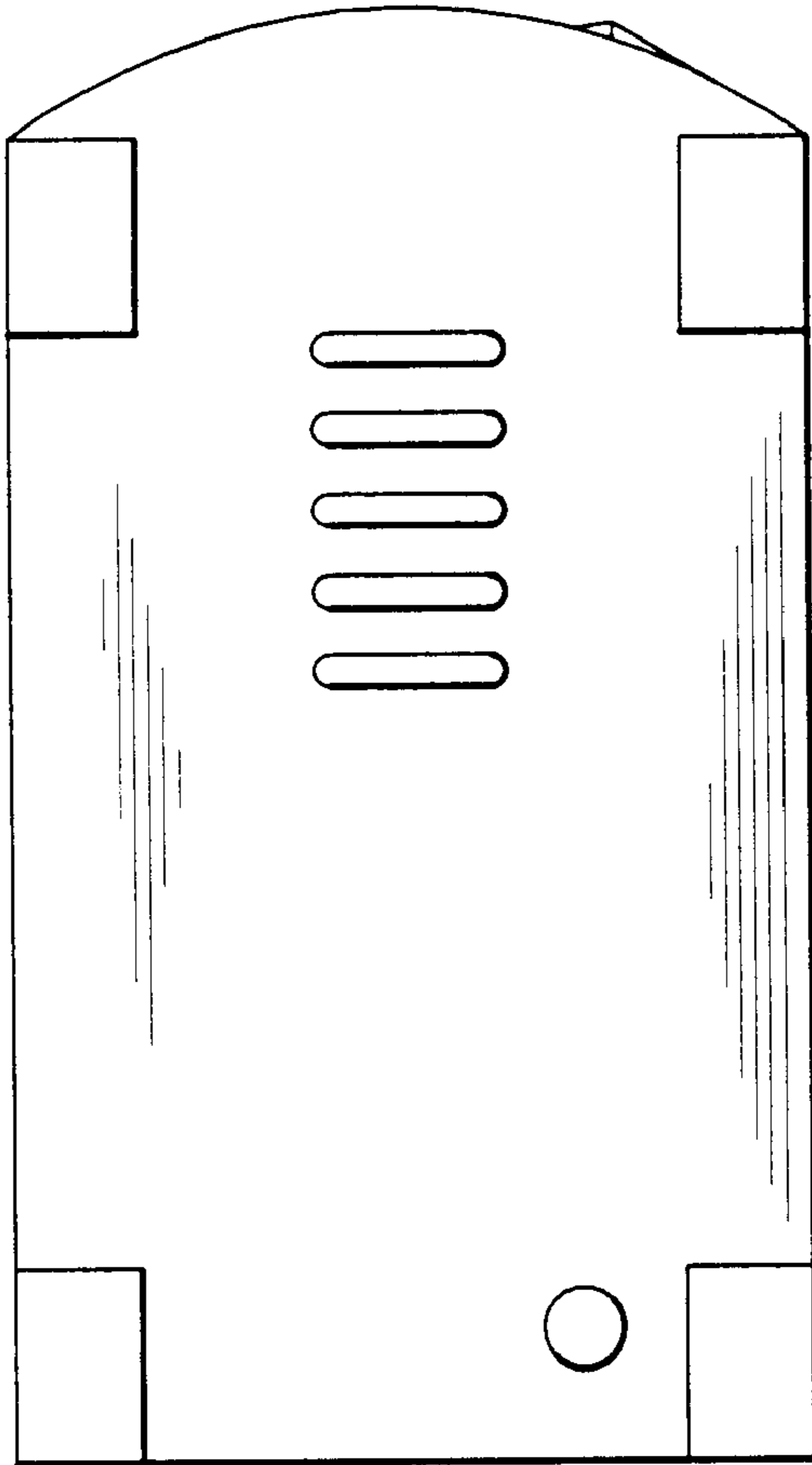
**Fig.2**



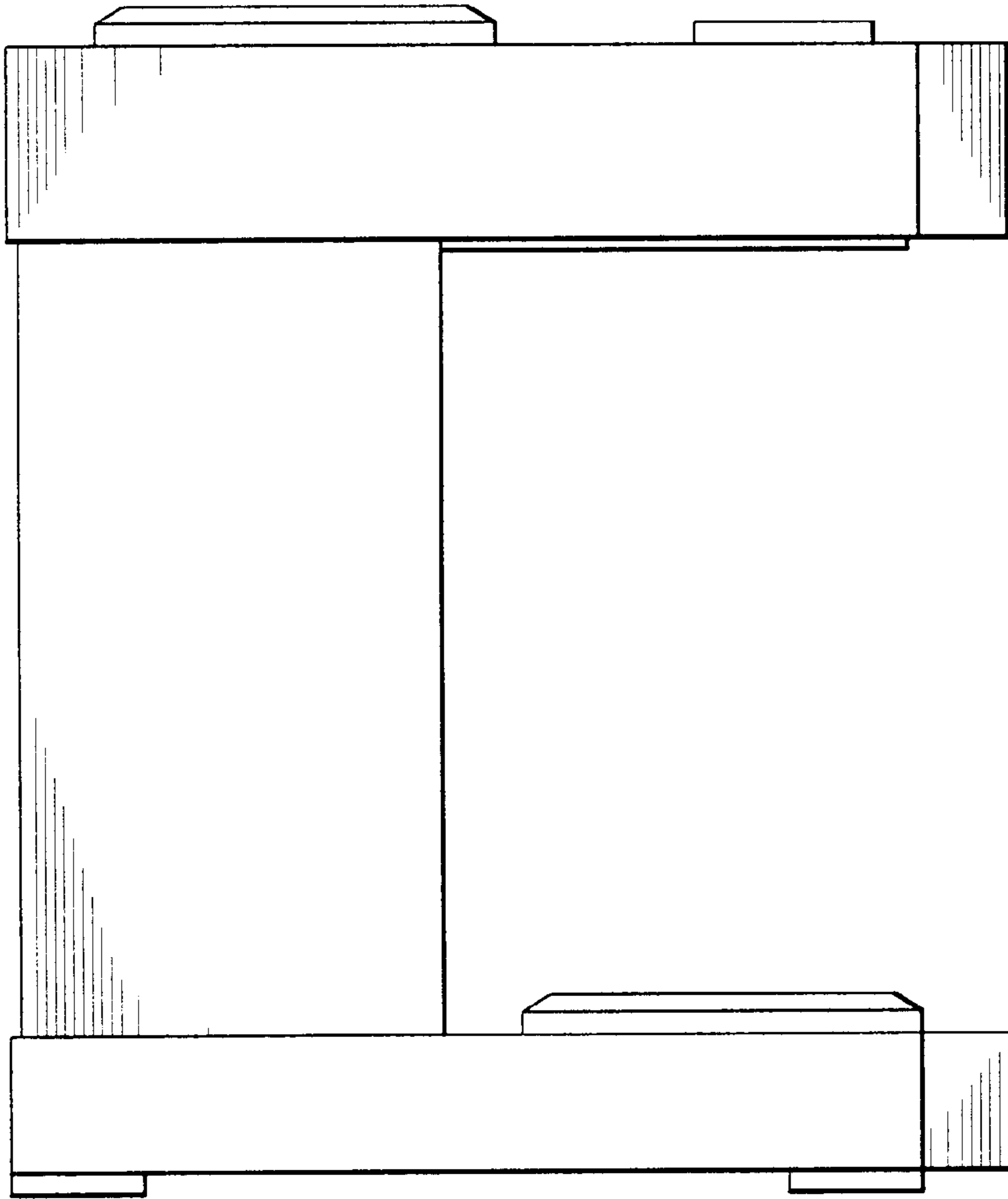
**Fig.3**



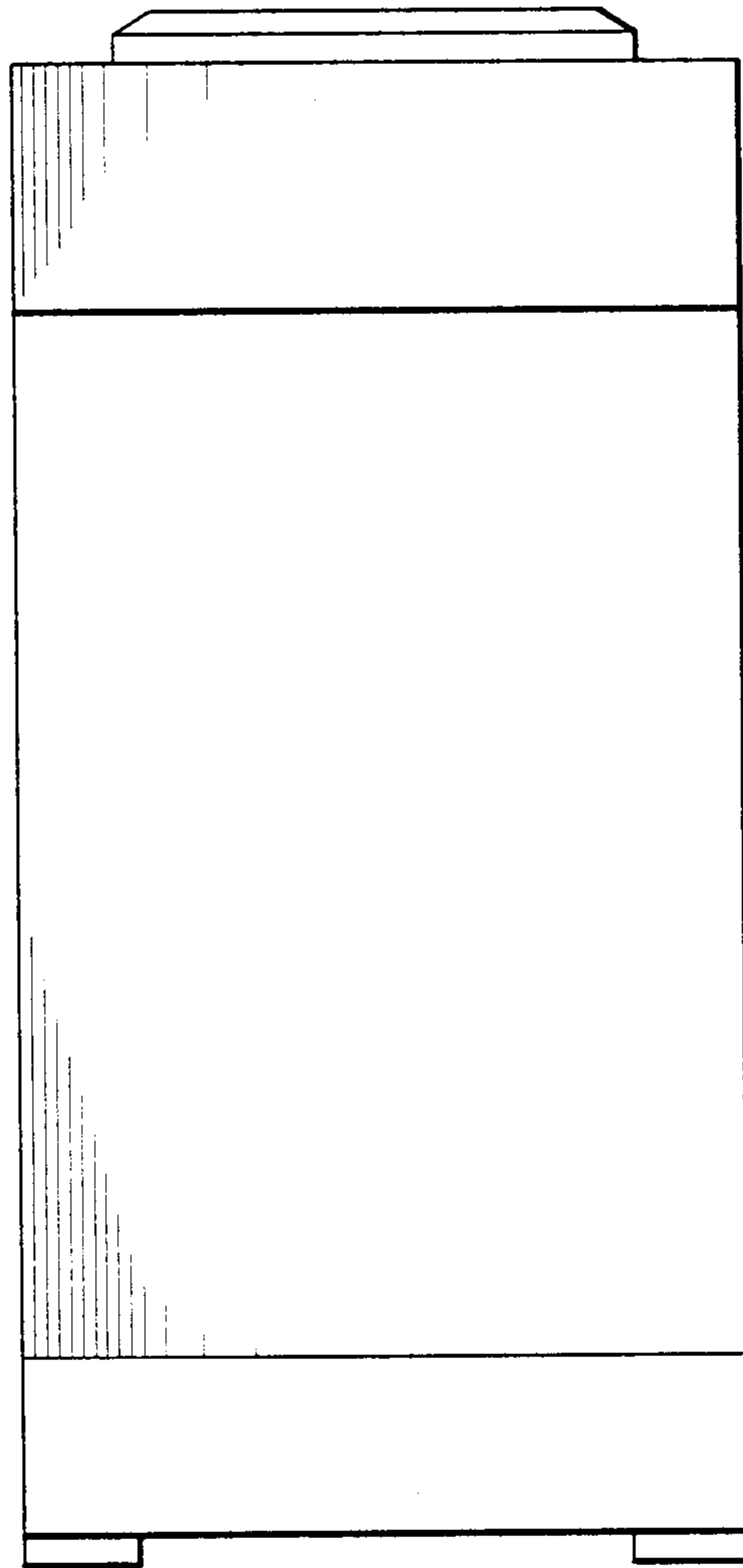
**Fig.4**



**Fig.5**



**Fig.6**



**Fig.7**