



US00D454018S

(12) **United States Design Patent**
Meck et al.

(10) **Patent No.:** **US D454,018 S**

(45) **Date of Patent:** **** Mar. 5, 2002**

(54) **DOUBLE TOWEL BAR**

D406,484 S * 3/1999 Wu D6/566

(75) Inventors: **Leslie A. Meck**, Fleetwood; **Randy S. Cramer**, Lebanon; **Daniel J. Roche**, Wyomissing; **Renee K. Chesler**, Royersford, all of PA (US)

OTHER PUBLICATIONS

Smedbo "Villa Bath" Catalogue p. 4 Double Towel Bar K236.*

* cited by examiner

(73) Assignee: **Baldwin Hardware Corporation**, Reading, PA (US)

Primary Examiner—Brian N. Vinson

(**) Term: **14 Years**

(74) *Attorney, Agent, or Firm*—Myron B. Kapustij; Lloyd D. Doigan

(21) Appl. No.: **29/131,781**

(57) **CLAIM**

(22) Filed: **Oct. 27, 2000**

The ornamental design for a double towel bar, as shown and described.

(51) **LOC (7) Cl.** **06-04**

DESCRIPTION

(52) **U.S. Cl.** **D6/548**; D6/549

(58) **Field of Search** D6/546–50, 518, D6/522–24; D8/300, 315–21, 354, 363, 373, 380; 108/28–29; 211/13.1, 16, 60.1, 86.01, 87.01, 88.04, 100, 105.1–105.2, 123, 181.1, 182; 248/175, 176.1, 251, 302; 16/110.1, 412, 415; 242/570, 590, 595–598; 206/389

FIG. 1 is a top perspective view of a double towel bar showing our new design;

FIG. 2 is a front elevational view thereof;

FIG. 3 is a top plan view thereof;

FIG. 4 is a bottom plan view thereof;

FIG. 5 is a left side elevational view thereof;

FIG. 6 is a right side elevational view thereof; and,

FIG. 7 is a rear elevational view thereof.

The broken line showing of the set screws in FIG. 4 and of the cylindrical bars in FIGS. 1–4 and 7 are for purposes of illustration only and form no part of the claimed design.

(56) **References Cited**

U.S. PATENT DOCUMENTS

2,315,566 A * 4/1943 Watral et al. 211/123 X
D327,598 S * 7/1992 Emery D6/549
D392,138 S * 3/1998 Wu D6/549

1 Claim, 4 Drawing Sheets

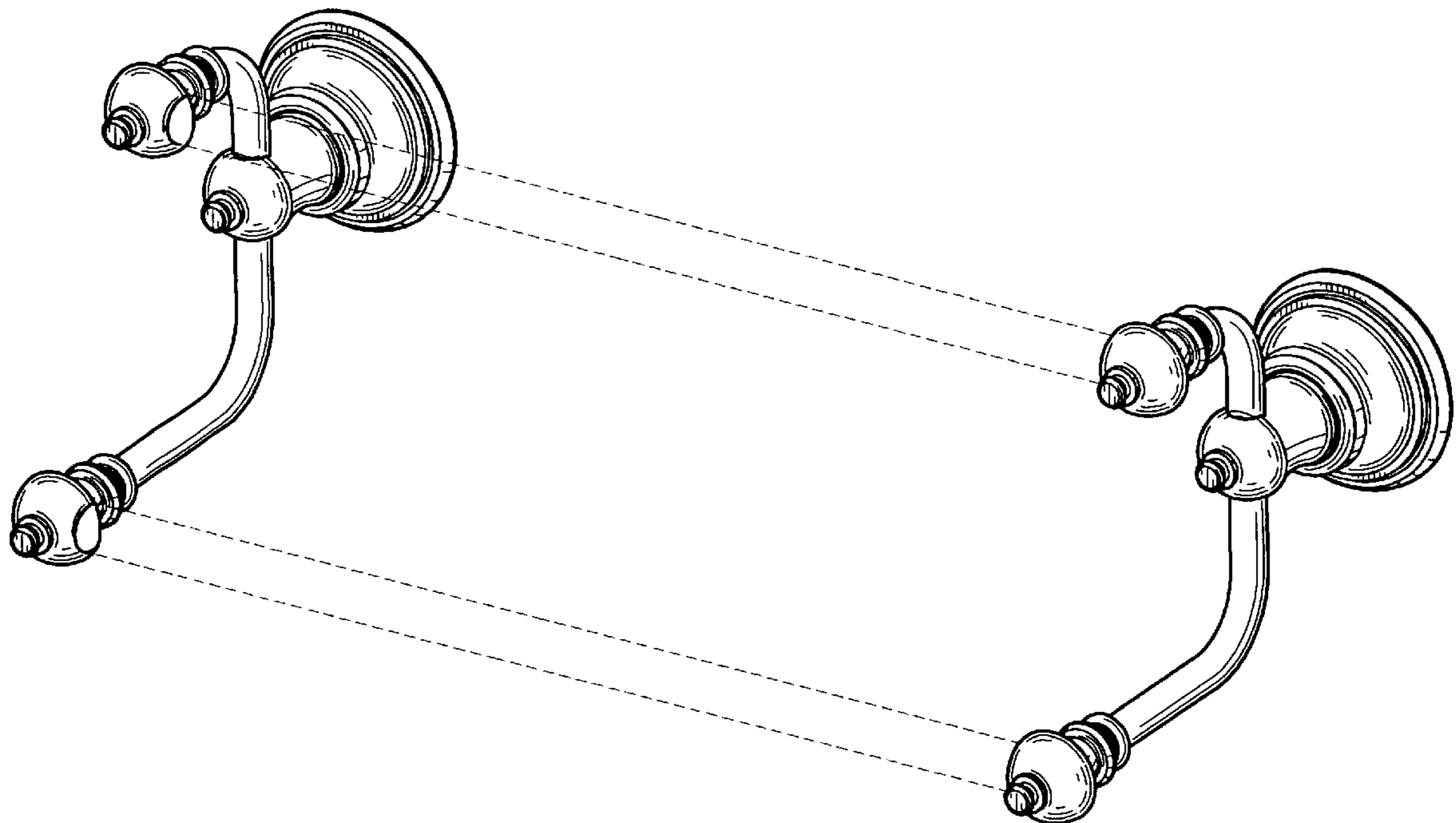


Figure - 1

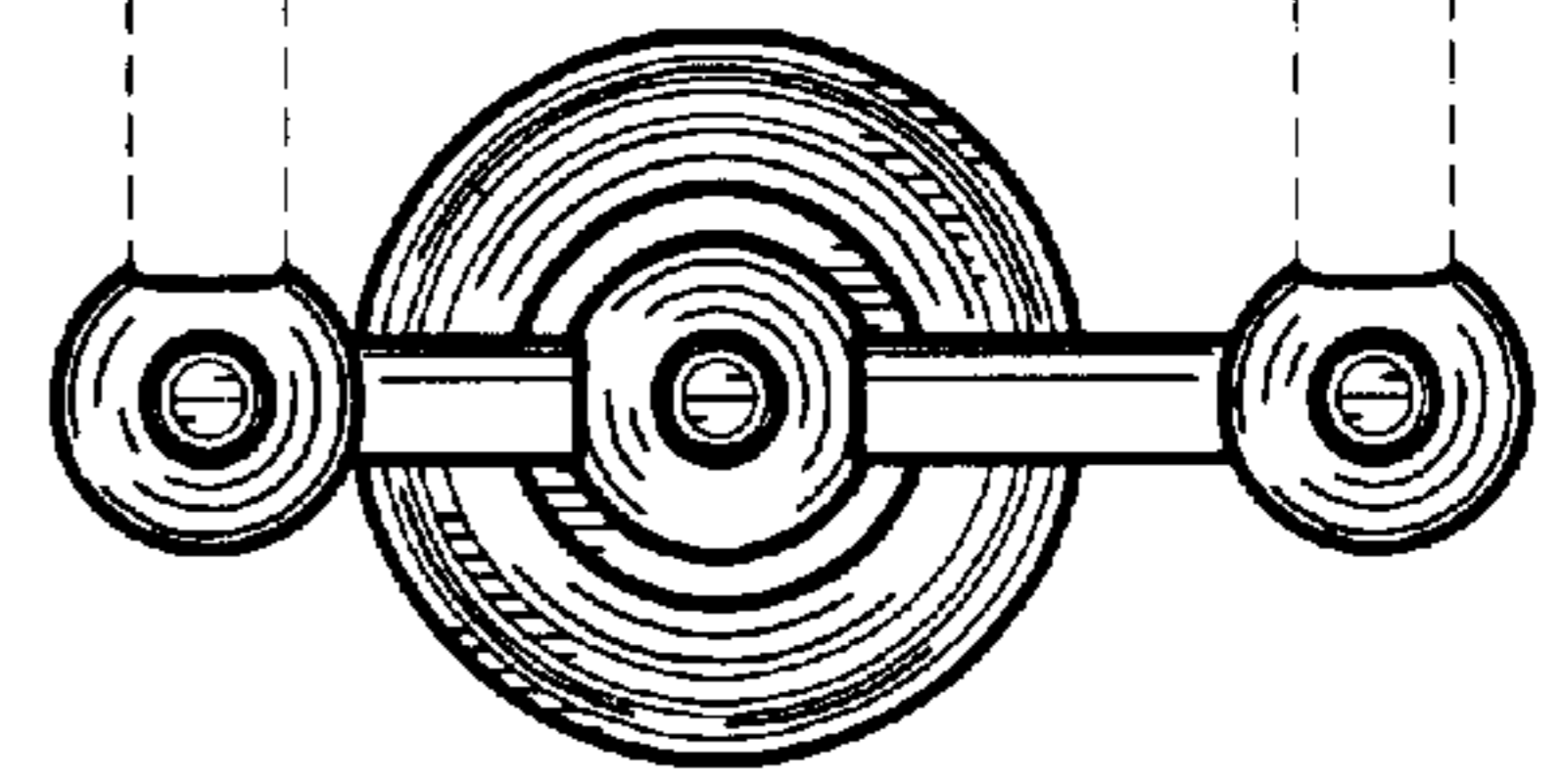
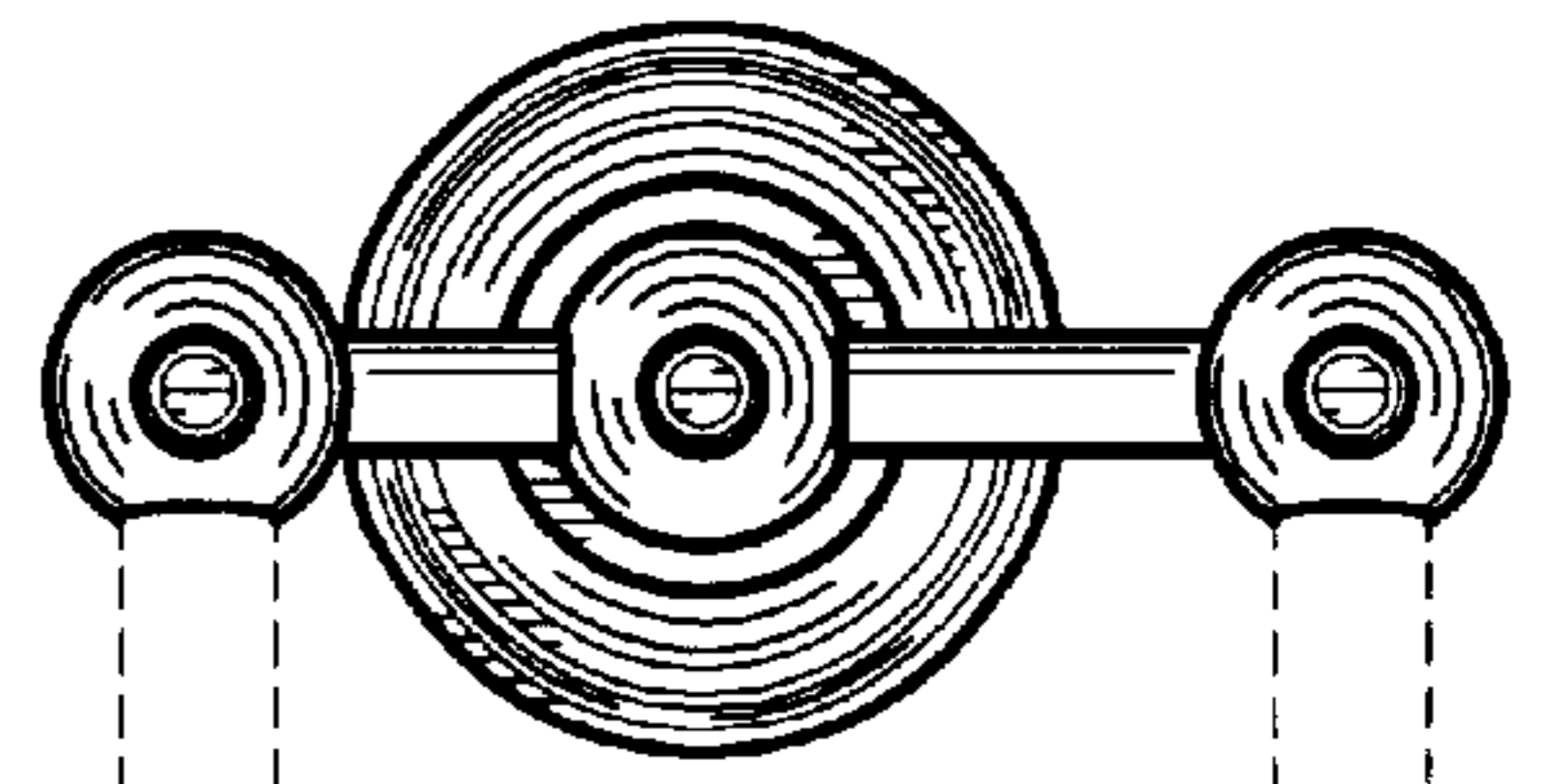
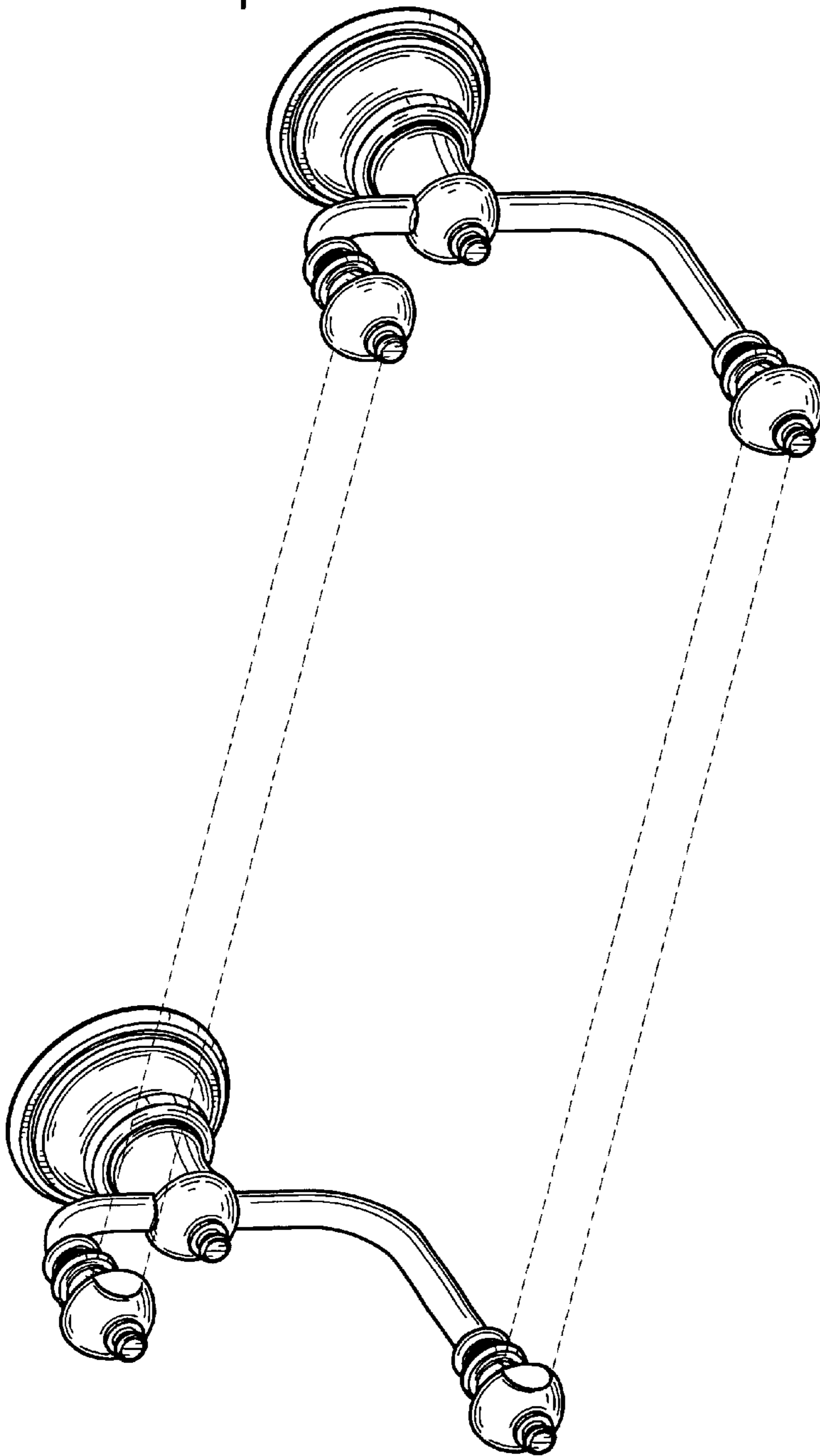


Figure - 2

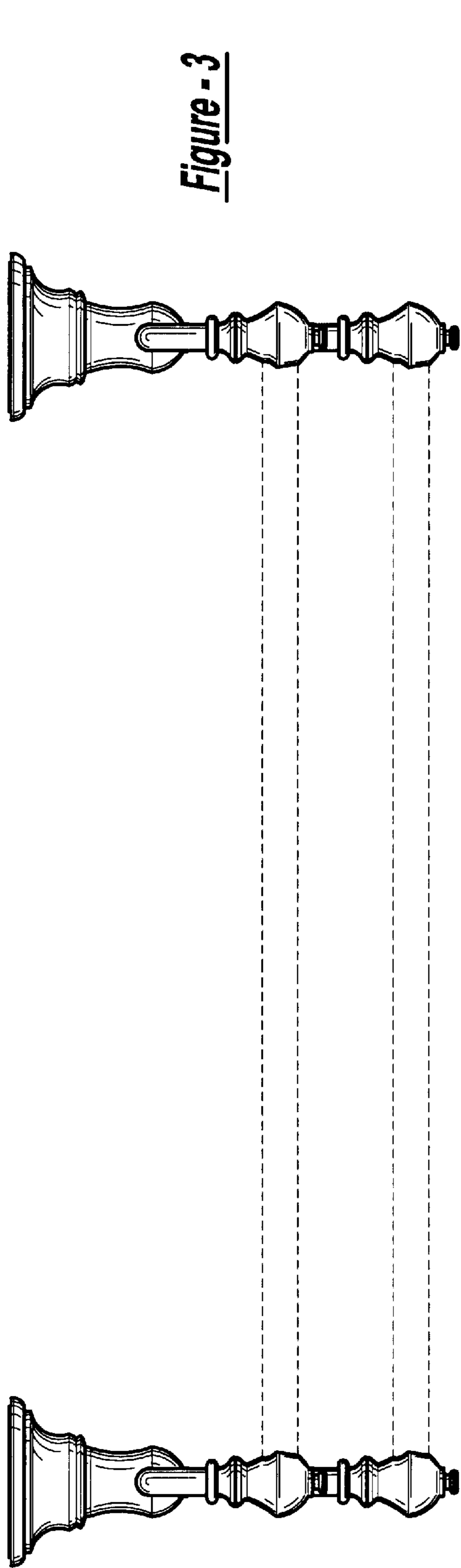


Figure - 3



Figure - 4

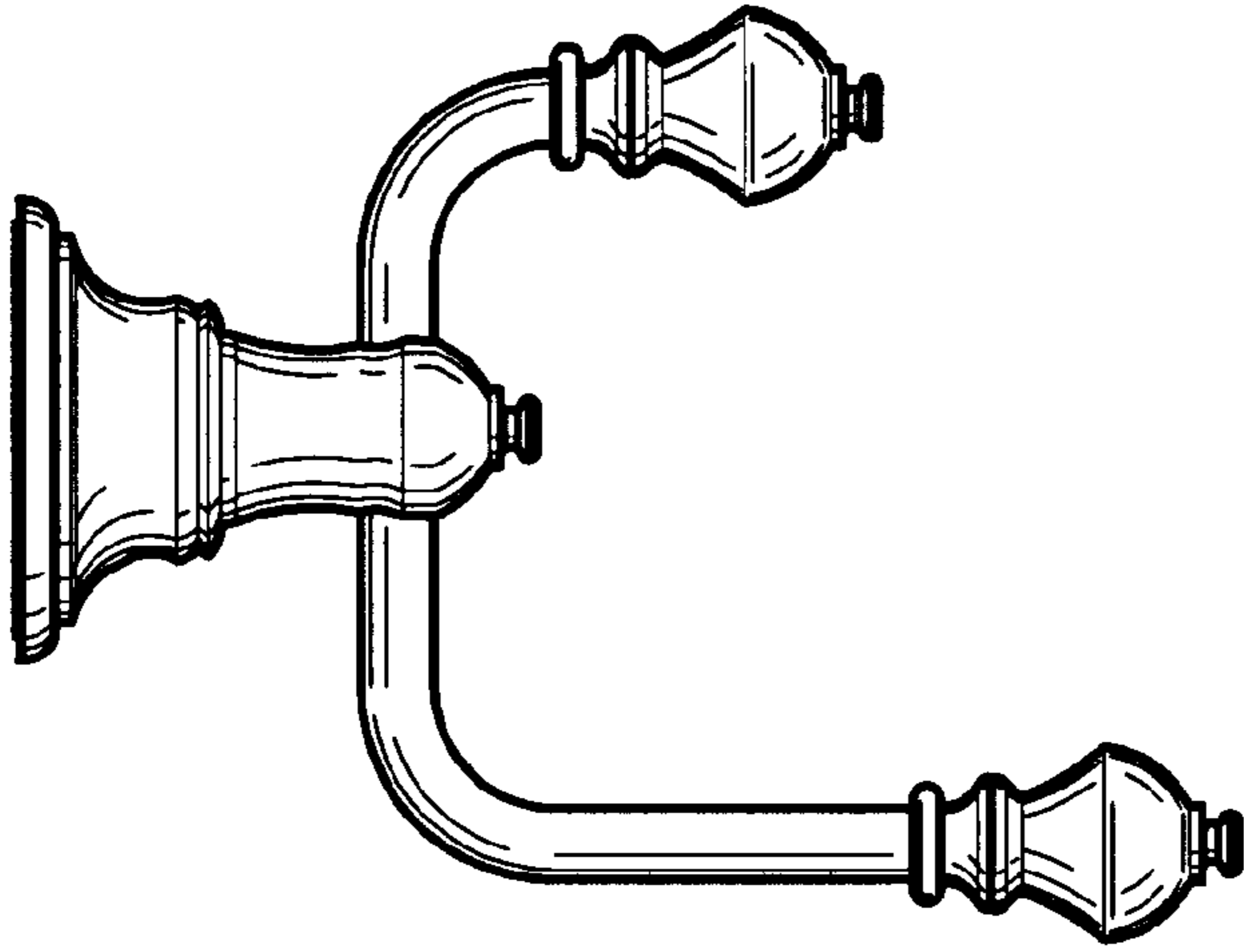


Figure - 5

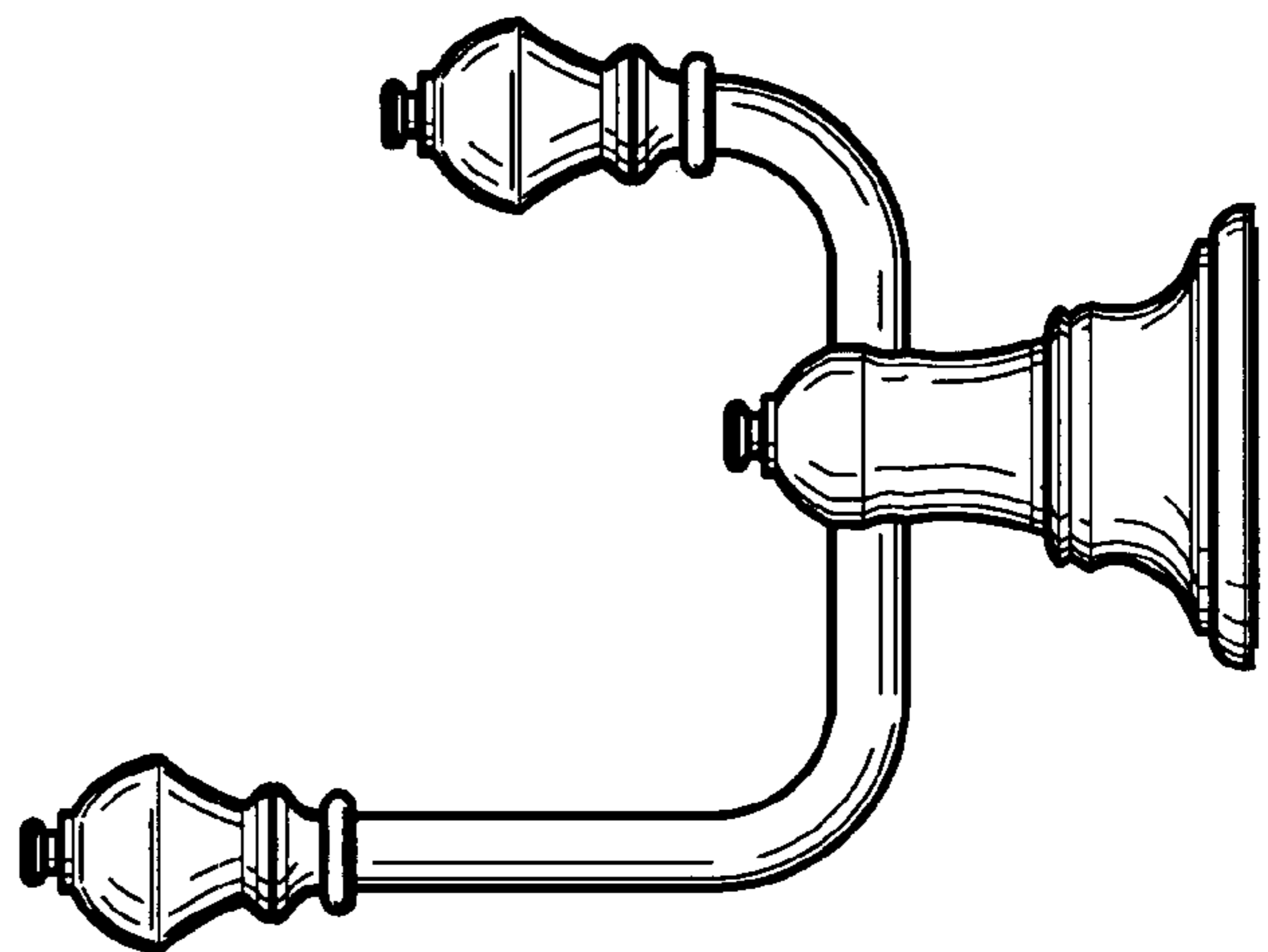


Figure - 6

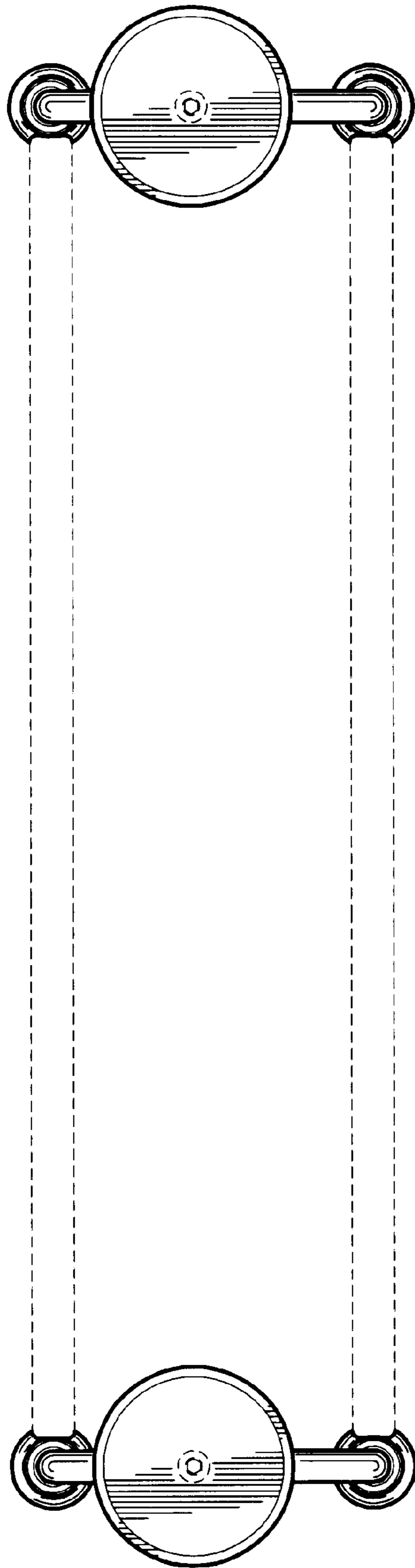


Figure - 7