



US00D454012S

(12) **United States Design Patent**  
**Chen**

(10) **Patent No.:** **US D454,012 S**  
(45) **Date of Patent:** **\*\* Mar. 5, 2002**

(54) **WATER PISTOL RACK**

(75) Inventor: **Chin-Yuan Chen**, Chang-Hua Hsien  
(TW)

(73) Assignee: **Shin Tai Spurt Water of the Garden  
Tools Co., Ltd.**, Chang-Hua Hsien  
(TW)

(\*\*) Term: **14 Years**

(21) Appl. No.: **29/144,867**

(22) Filed: **Jul. 13, 2001**

(51) **LOC (7) Cl.** ..... **06-04**

(52) **U.S. Cl.** ..... **D6/469**

(58) **Field of Search** ..... D6/396, 411, 413,  
D6/416, 417, 449, 455, 457, 466-469;  
D23/403, 407; 211/60.1, 62; 248/75, 79,  
80, 89

(56) **References Cited**

**U.S. PATENT DOCUMENTS**

D297,595 S \* 9/1988 Sawai ..... D6/469 X  
D341,270 S \* 11/1993 Adams ..... D6/416  
D394,575 S \* 5/1998 Mikloczak et al. .... D6/552

\* cited by examiner

*Primary Examiner*—Cathron C. Brooks  
(74) *Attorney, Agent, or Firm*—Harrison & Egbert

(57) **CLAIM**

The ornamental design for a water pistol rack, as shown and described.

**DESCRIPTION**

FIG. 1 is an upper perspective view of the water pistol rack showing my design.

FIG. 2 is a front view thereof;

FIG. 3 is a back view thereof;

FIG. 4 is a side view thereof;

FIG. 5 is an opposite side view thereof;

FIG. 6 is a top view thereof;

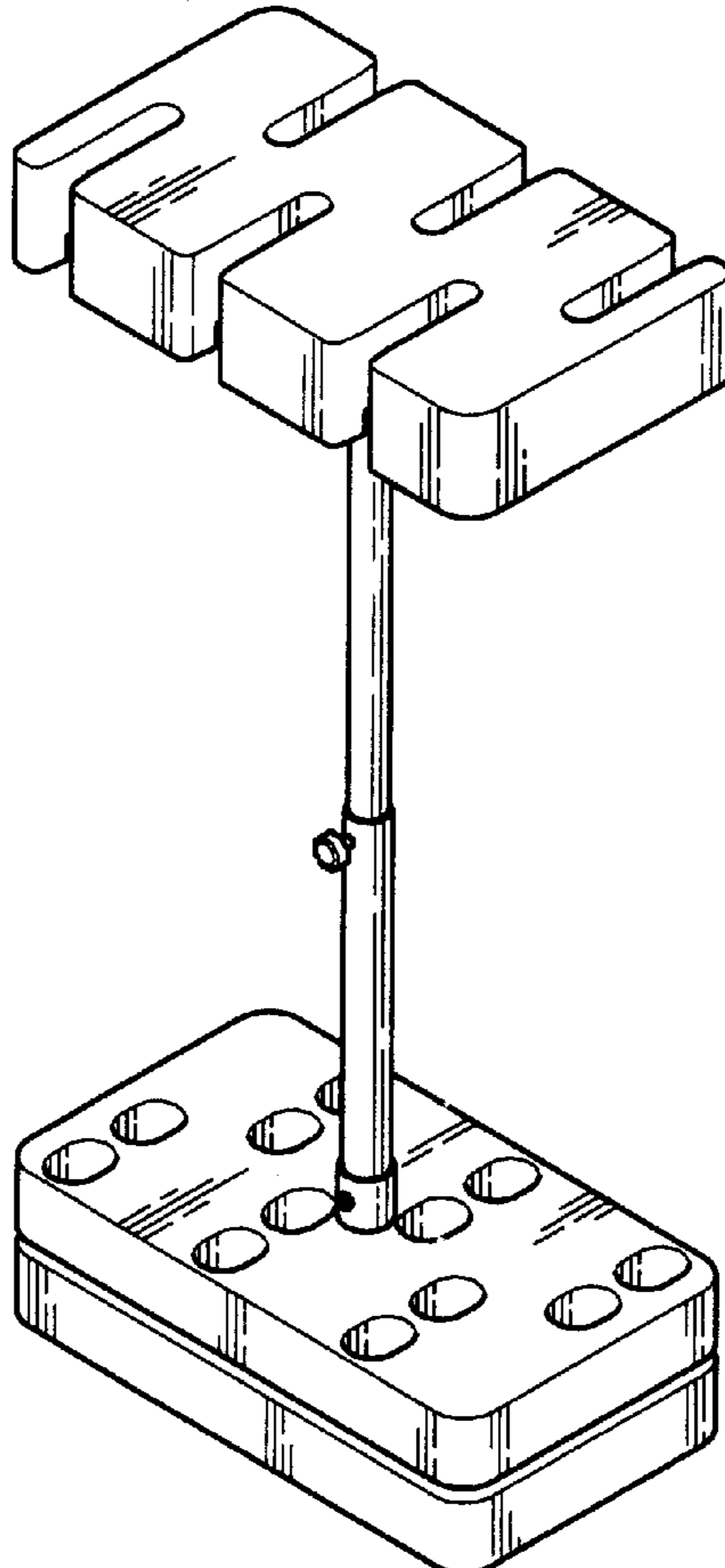
FIG. 7 is a bottom view thereof;

FIG. 8 is an upper perspective view thereof showing water pistols; and,

FIG. 9 is an upper perspective view thereof rotated about its base and showing water pistols.

The broken line showing of water pistols is for illustrative purposes only and forms no part of the claimed design.

**1 Claim, 6 Drawing Sheets**



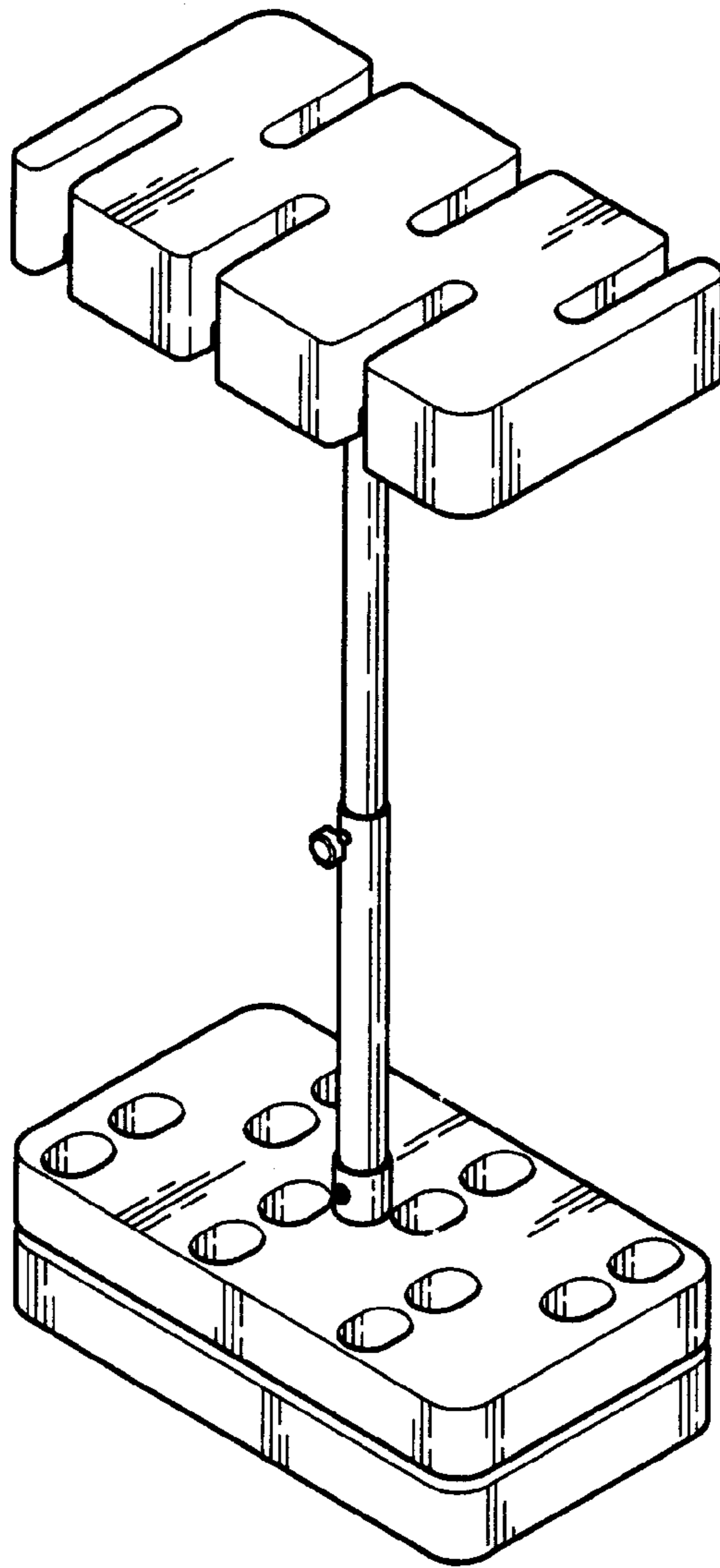


FIG. 1

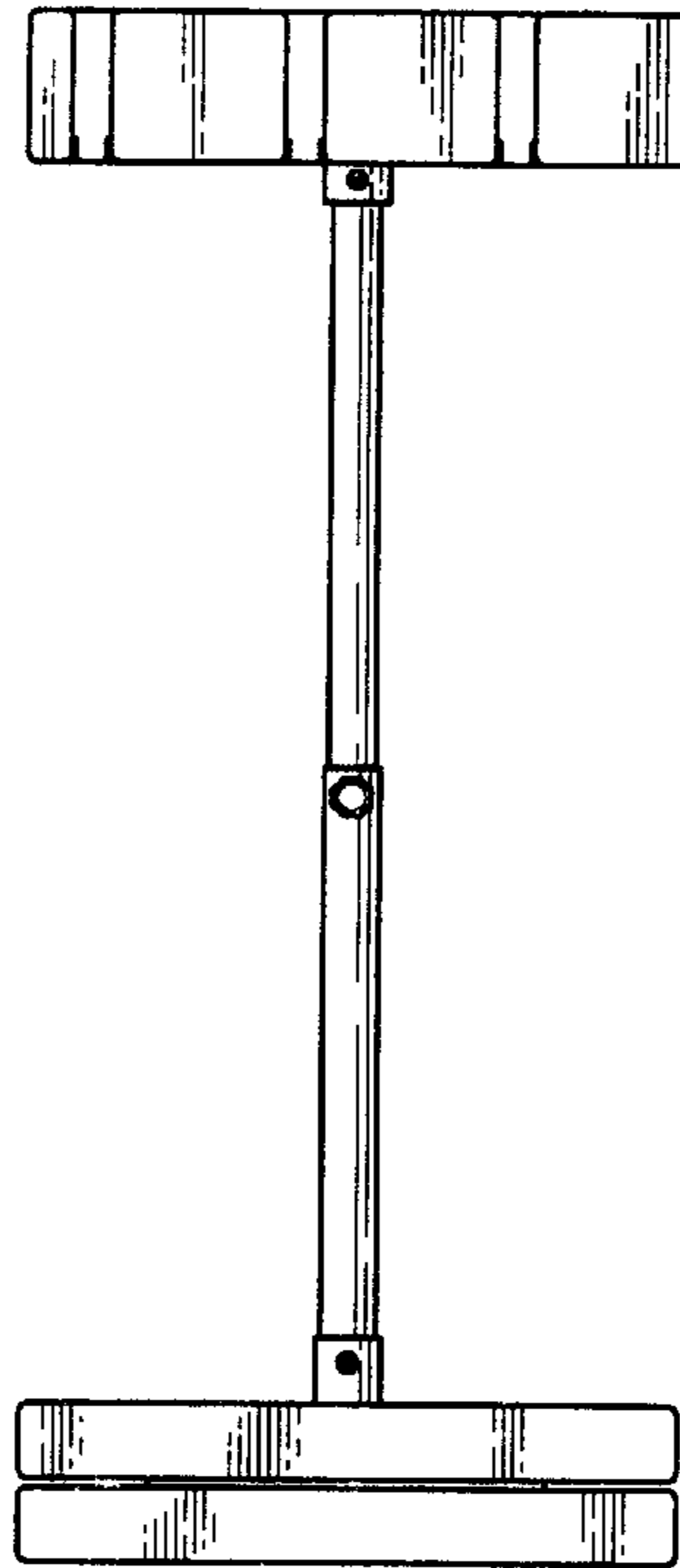


FIG. 2

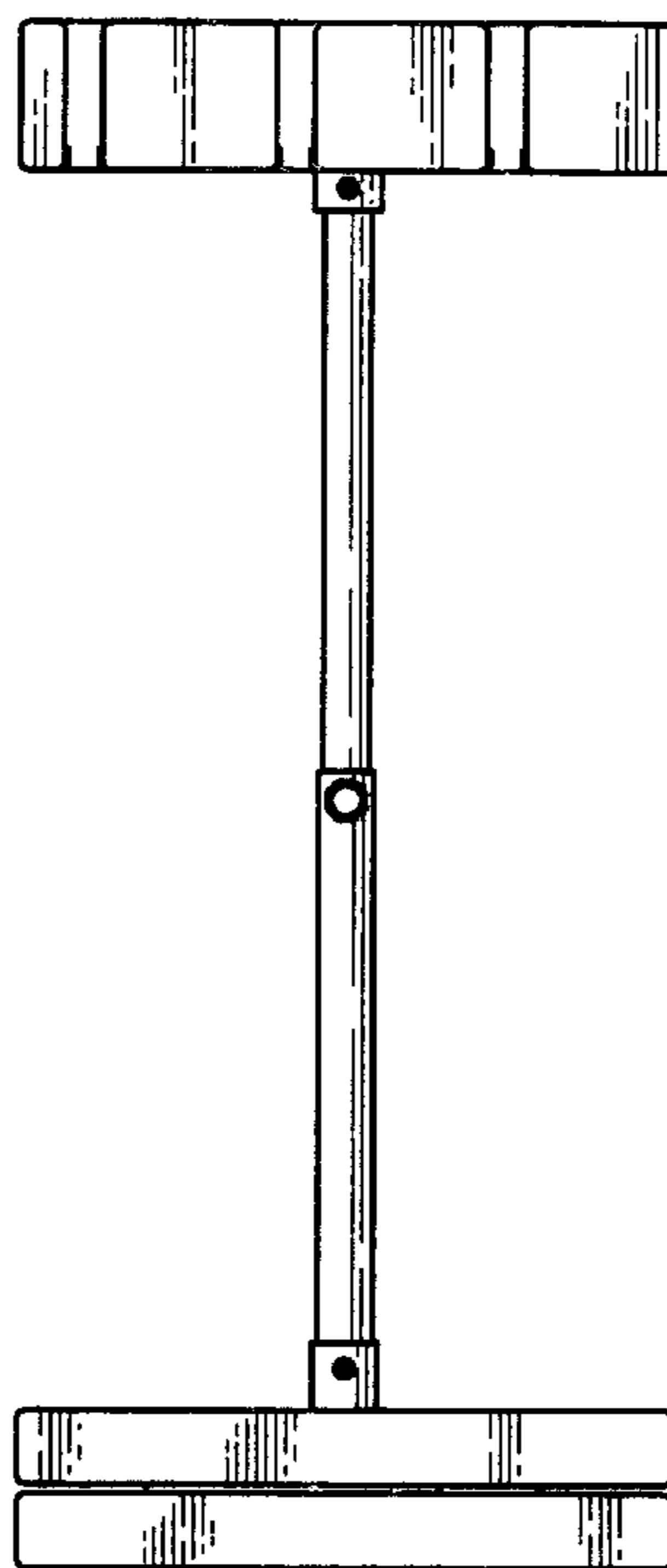


FIG. 3

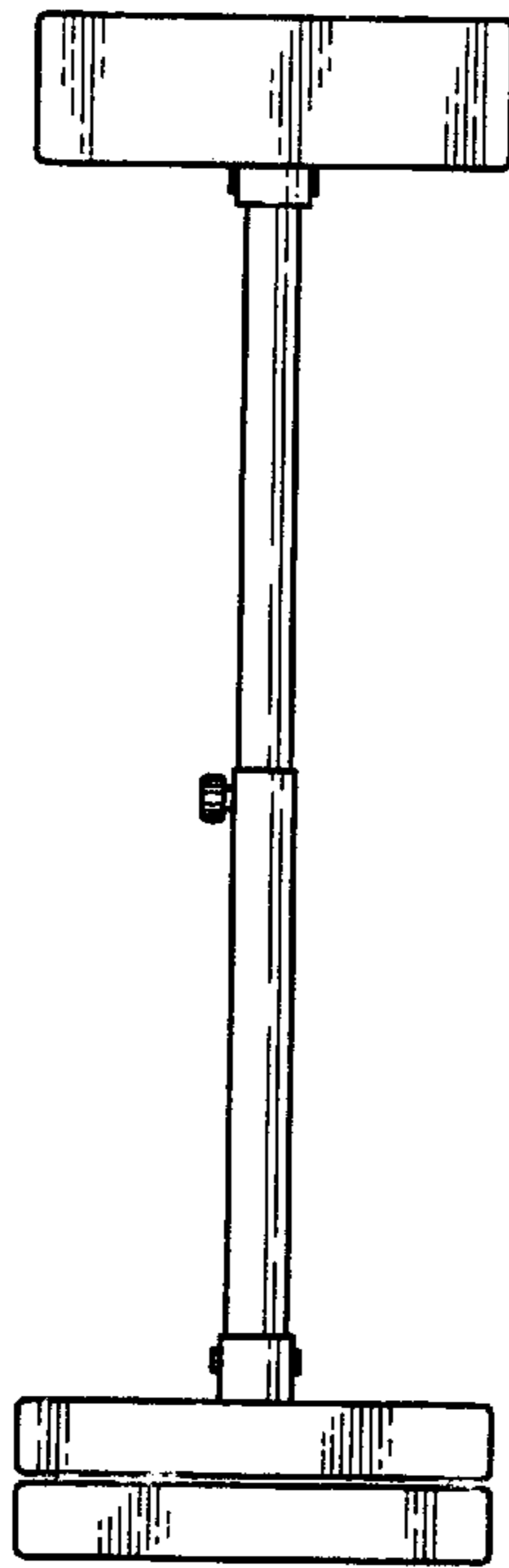


FIG. 4

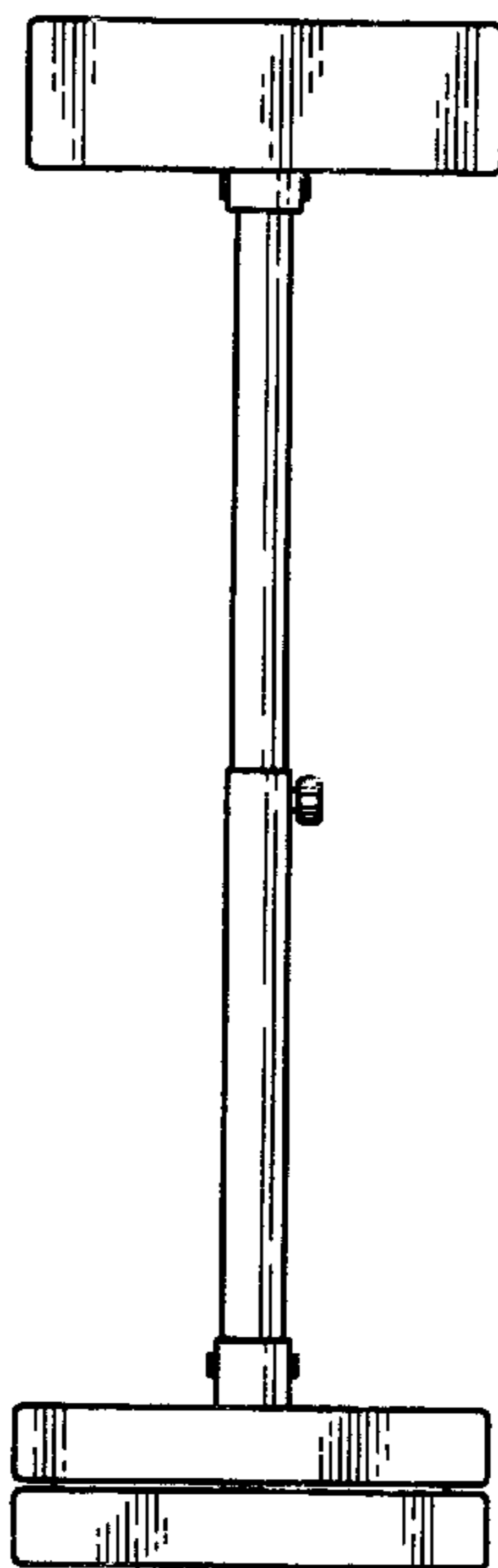


FIG. 5

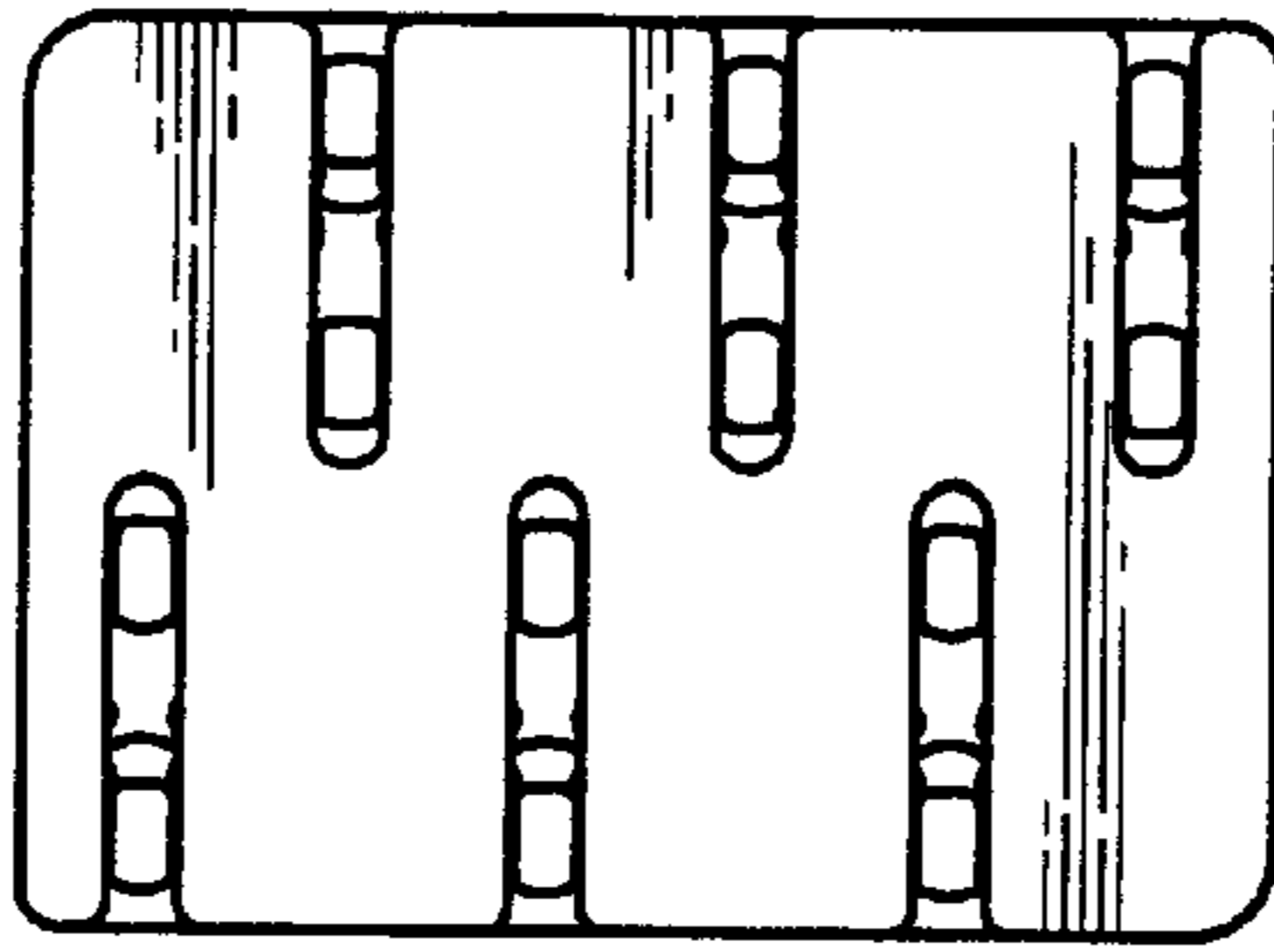


FIG. 6

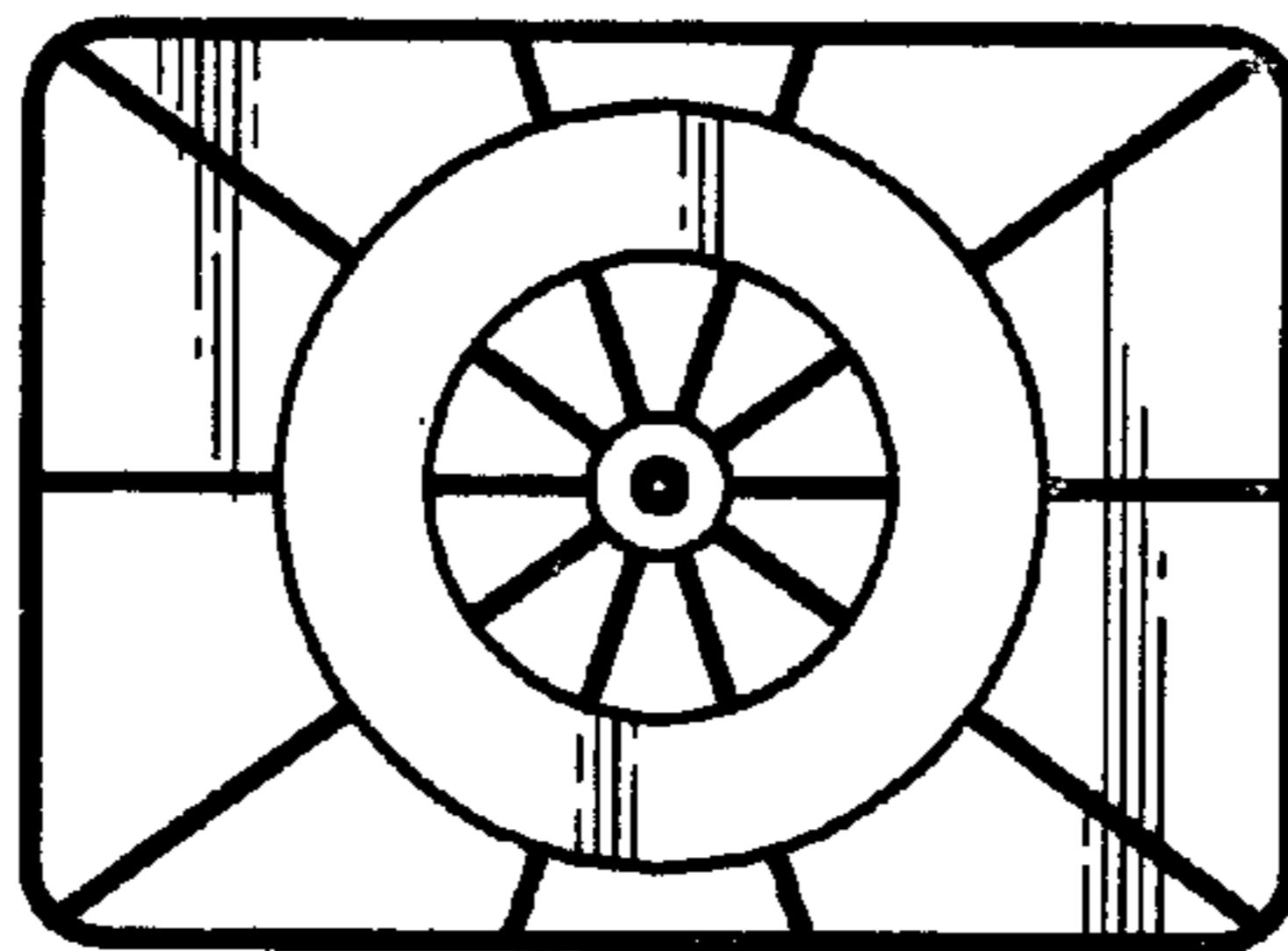


FIG. 7

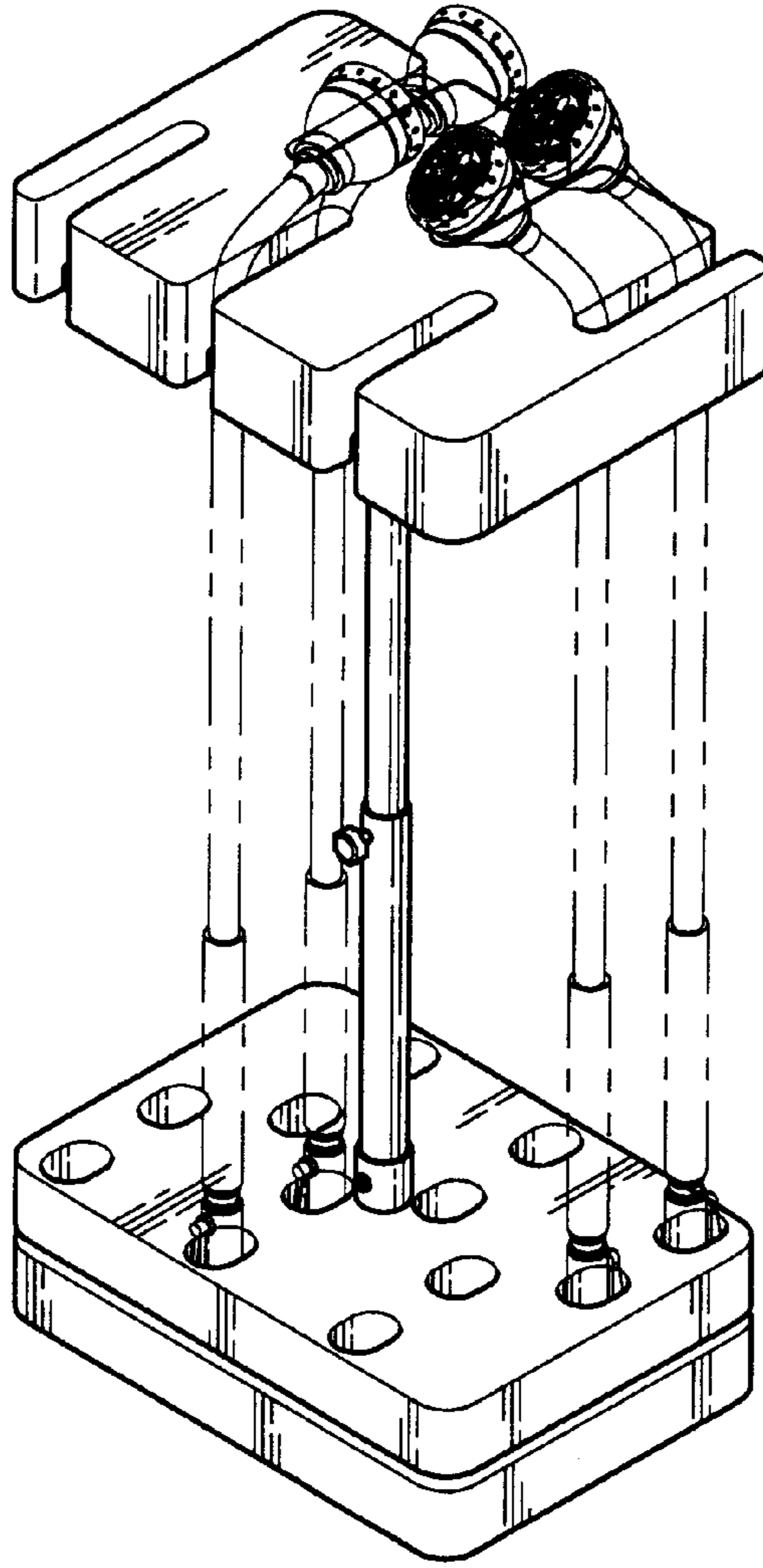


FIG.8

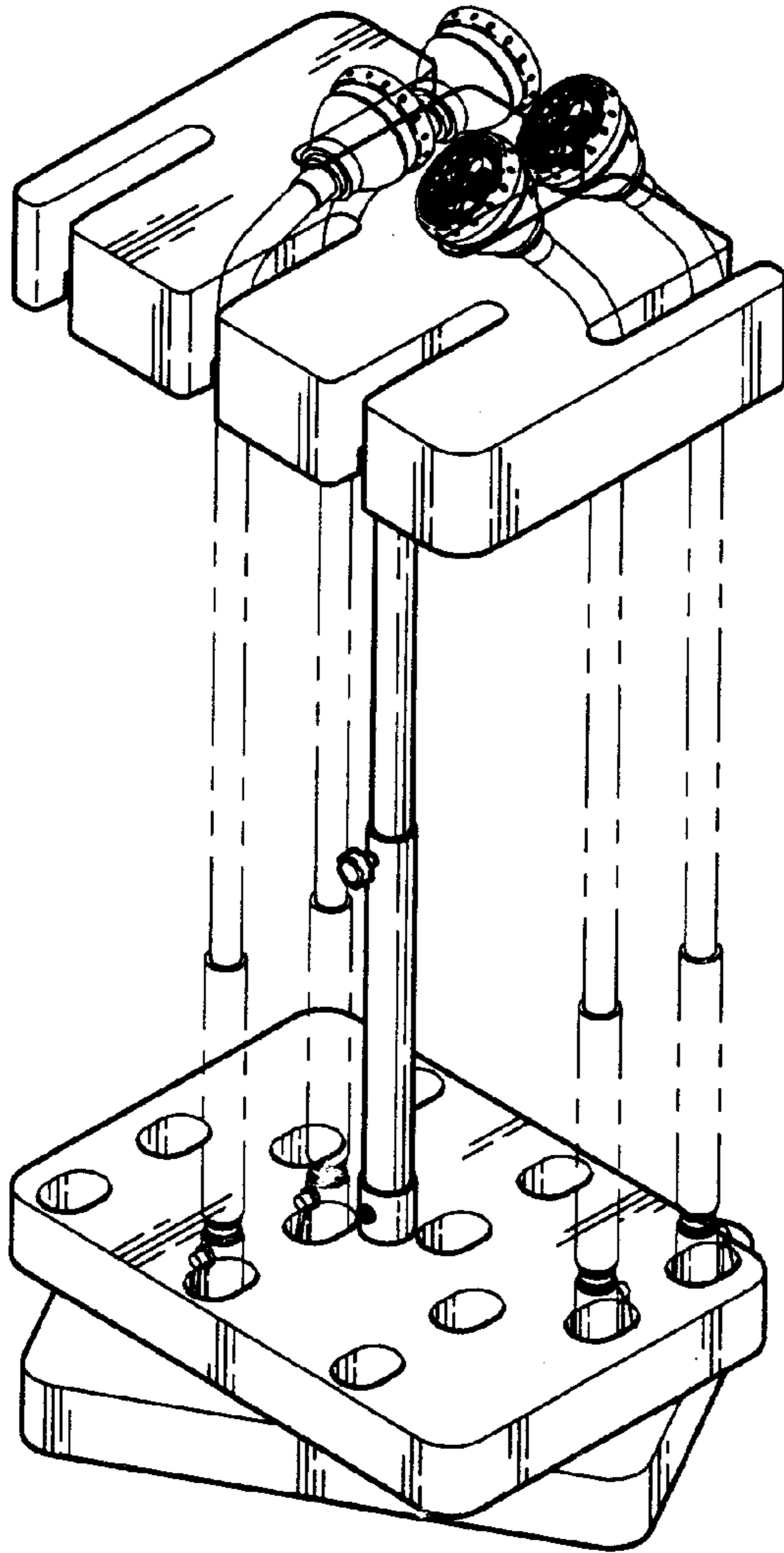


FIG. 9