



US00D454007S

(12) **United States Design Patent**
Huang

(10) **Patent No.:** **US D454,007 S**

(45) **Date of Patent:** **** Mar. 5, 2002**

(54) **HIGH CHAIR**

D426,965 S * 6/2000 Wu D6/339

(76) Inventor: **Mien Chen Huang**, 123-2, Pitou,
Kuanmiao, Tainan (TW)

* cited by examiner

(**) Term: **14 Years**

Primary Examiner—Doris V. Coles

Assistant Examiner—Mimosa De

(21) Appl. No.: **29/143,383**

(74) *Attorney, Agent, or Firm*—Pro-Techtor International
Services

(22) Filed: **Jun. 12, 2001**

(57) **CLAIM**

(51) **LOC (7) Cl.** **06-01**

The ornamental design for a high chair, as shown and
described.

(52) **U.S. Cl.** **D6/339**

(58) **Field of Search** D6/333, 334, 335,
D6/336, 338, 339, 344, 347, 348, 362,
379, 390, 391, 491, 500-502; D12/128,
129; 297/148, 149, 153, 174, 250.1, 467

DESCRIPTION

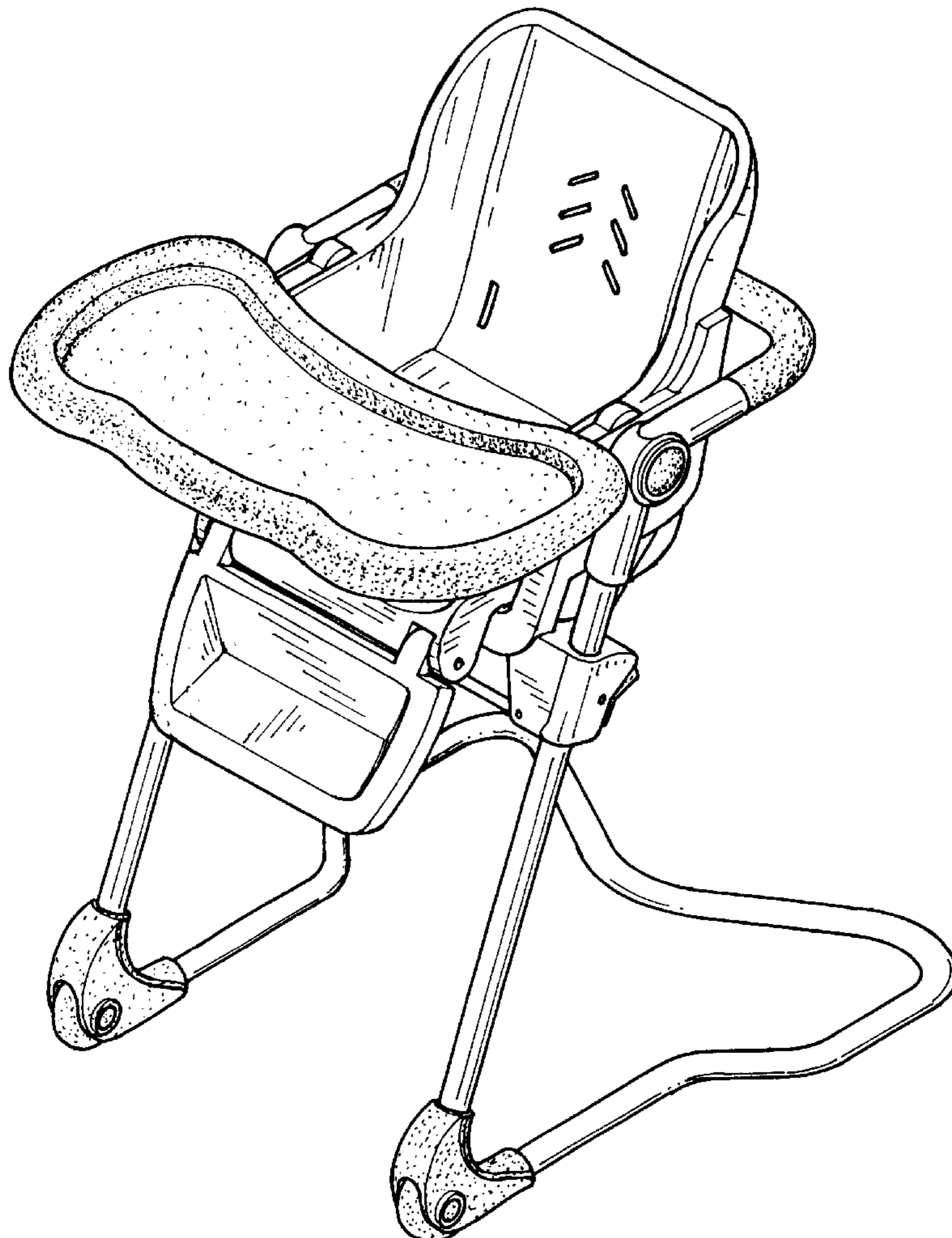
(56) **References Cited**

U.S. PATENT DOCUMENTS

- D291,156 S * 8/1987 Nakao et al. D6/338
- D337,665 S * 7/1993 Tschia D6/339
- D361,672 S * 8/1995 Mariol et al. D6/339
- D373,029 S * 8/1996 Mariol et al. D6/339

FIG. 1 is a perspective view of a high chair showing my new design;
 FIG. 2 is a front elevational view of the design;
 FIG. 3 is a rear elevational view of the design;
 FIG. 4 is a left side view of the design;
 FIG. 5 is a right side view of the design;
 FIG. 6 is a top view of the design; and,
 FIG. 7 is a bottom view of the design.

1 Claim, 5 Drawing Sheets



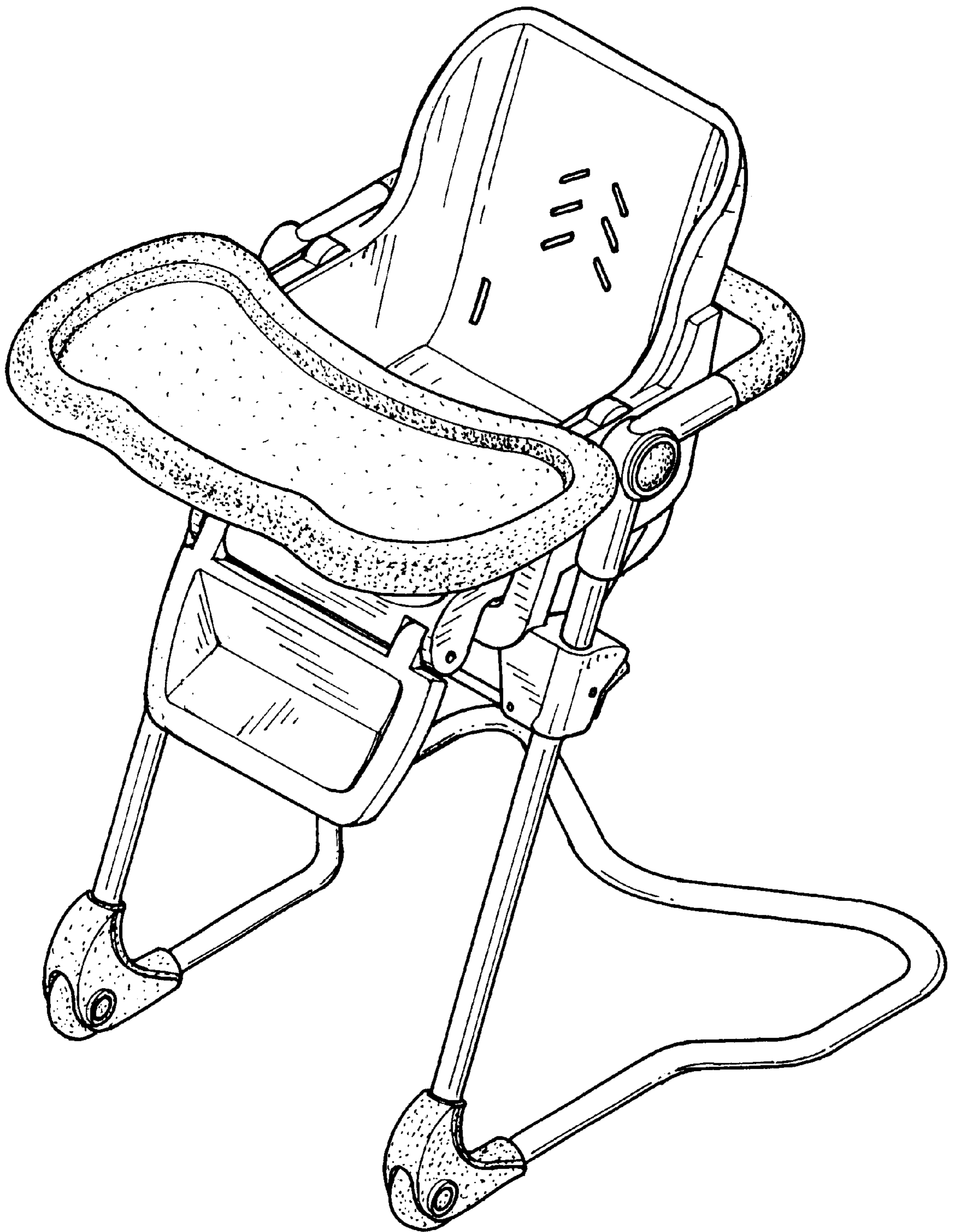


FIG. 1

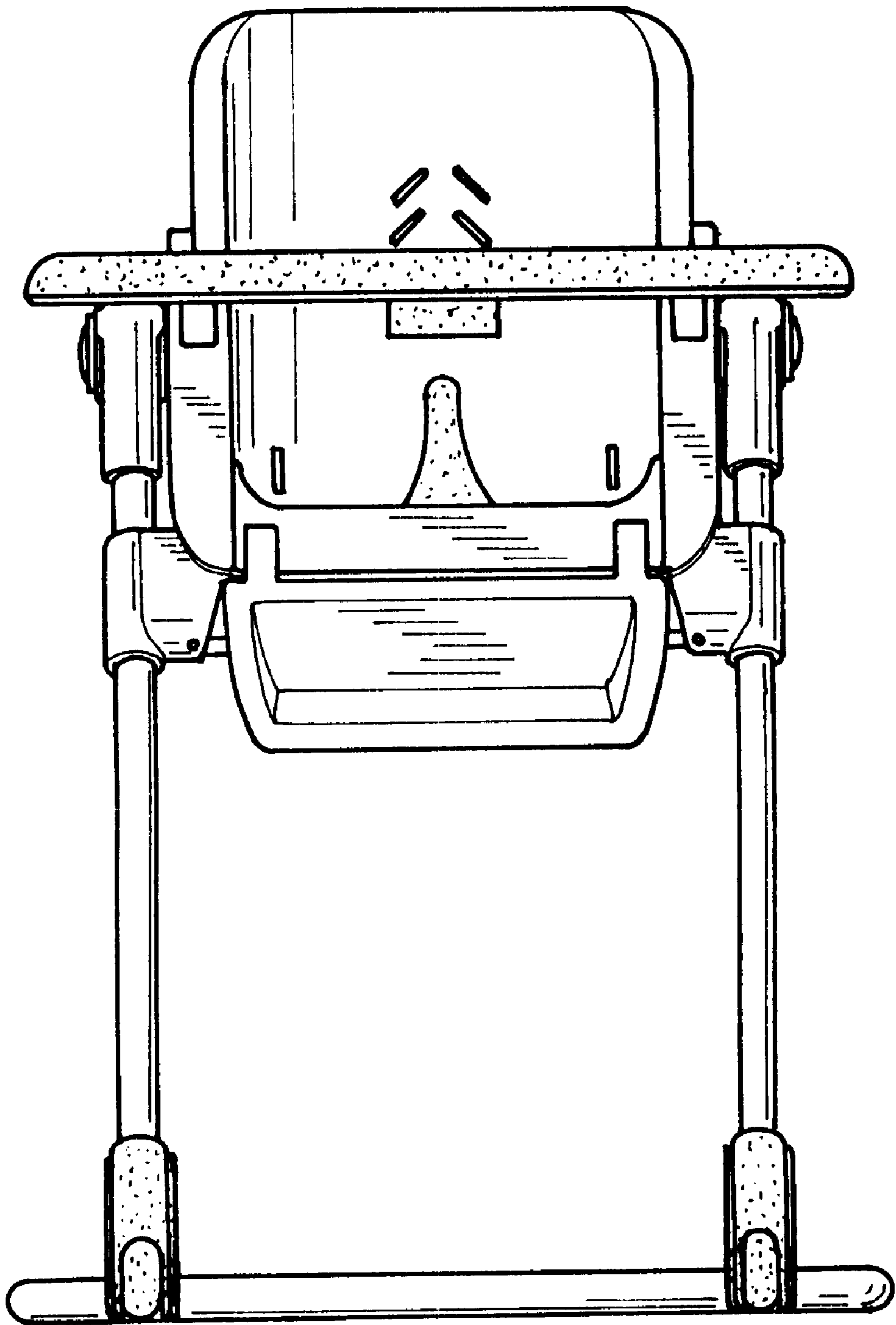


FIG. 2

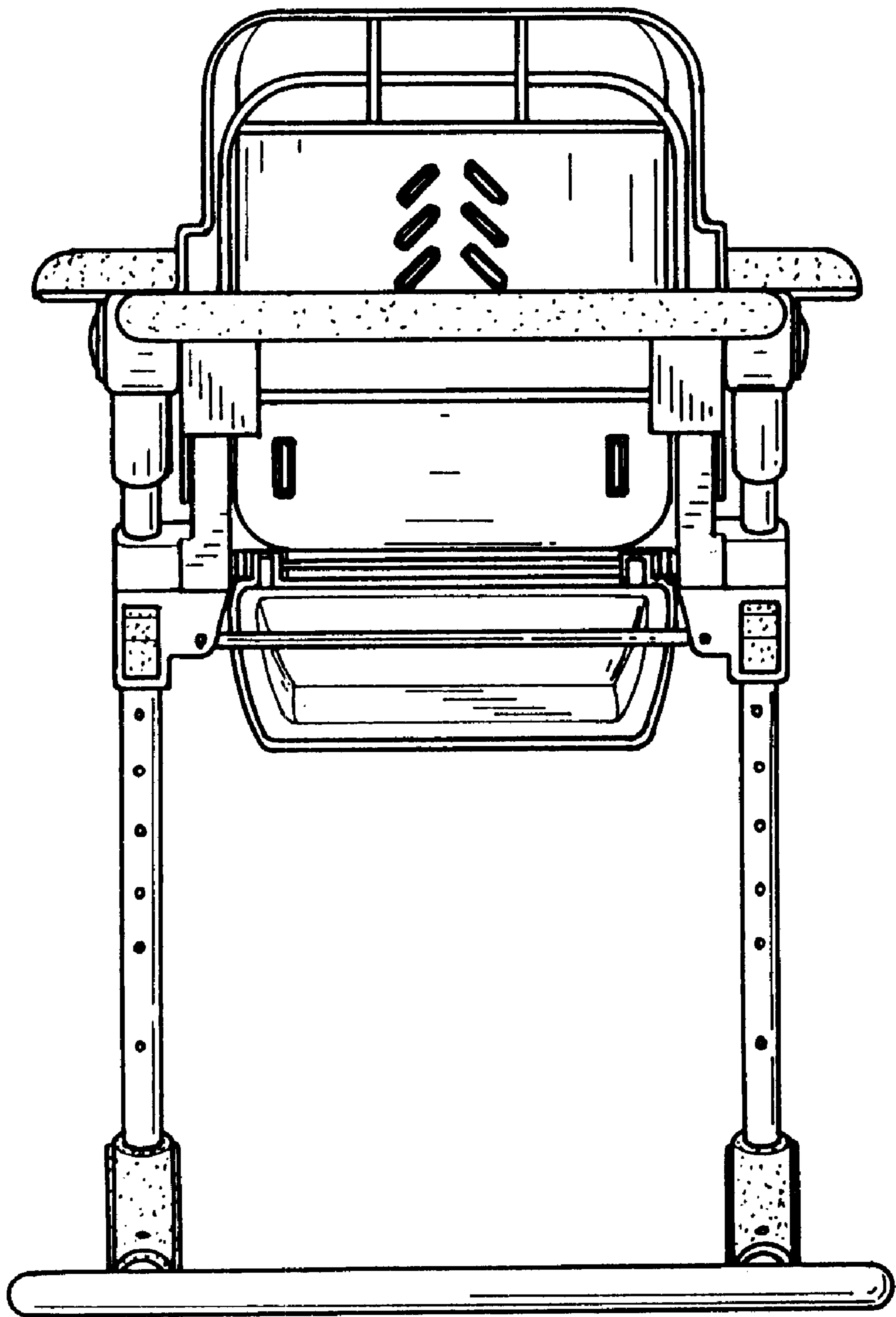


FIG. 3

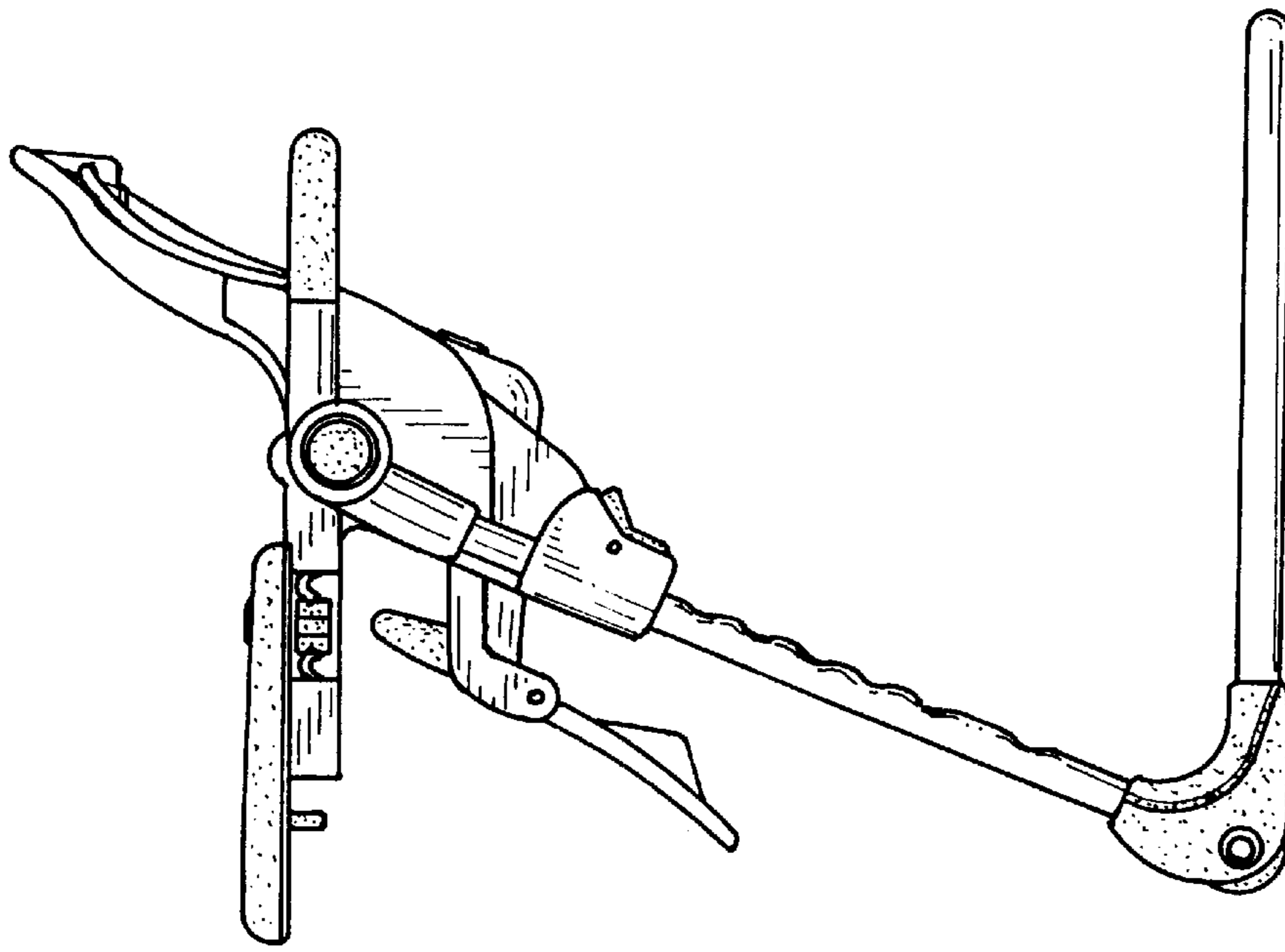


FIG. 5

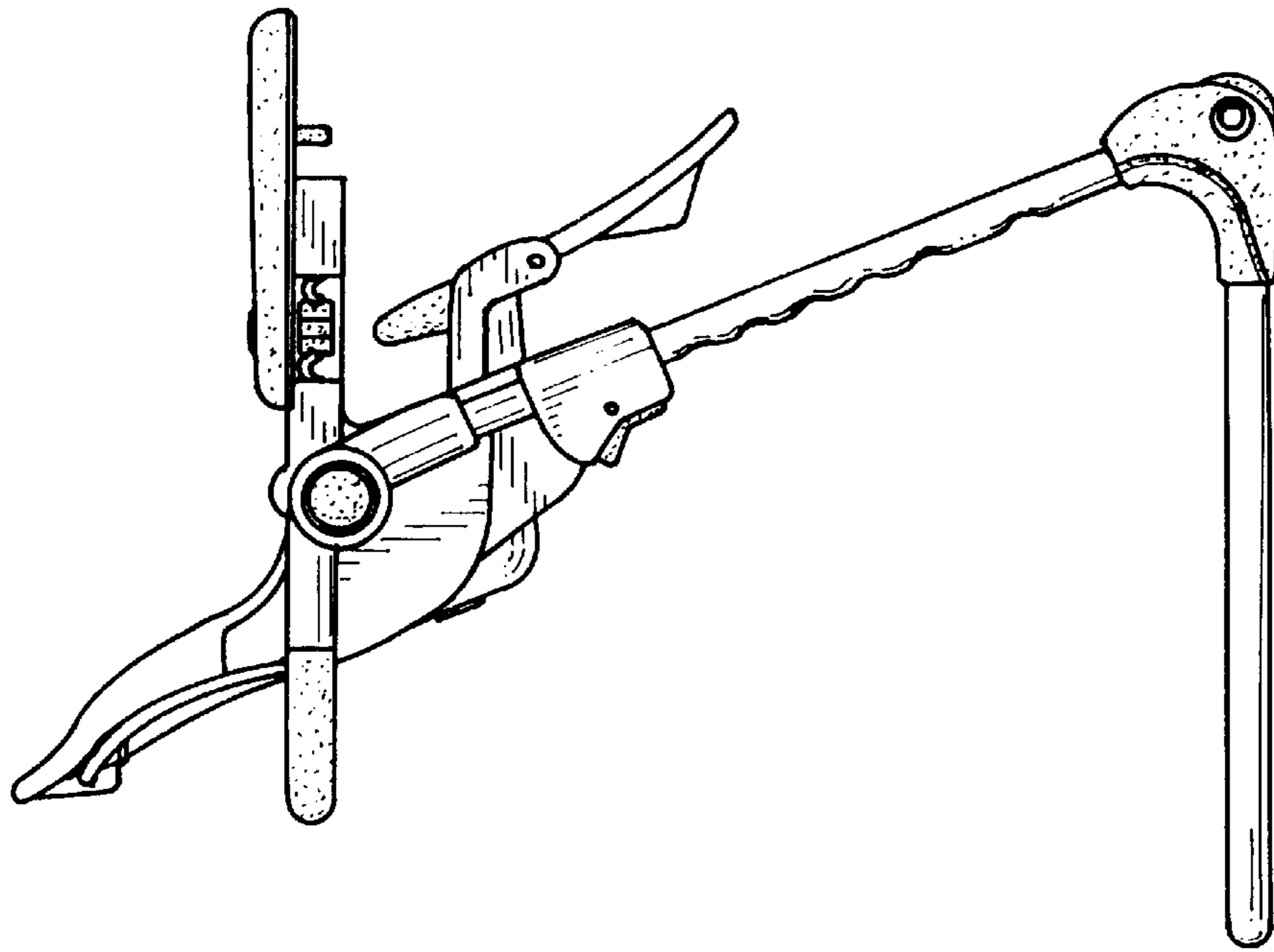


FIG. 4

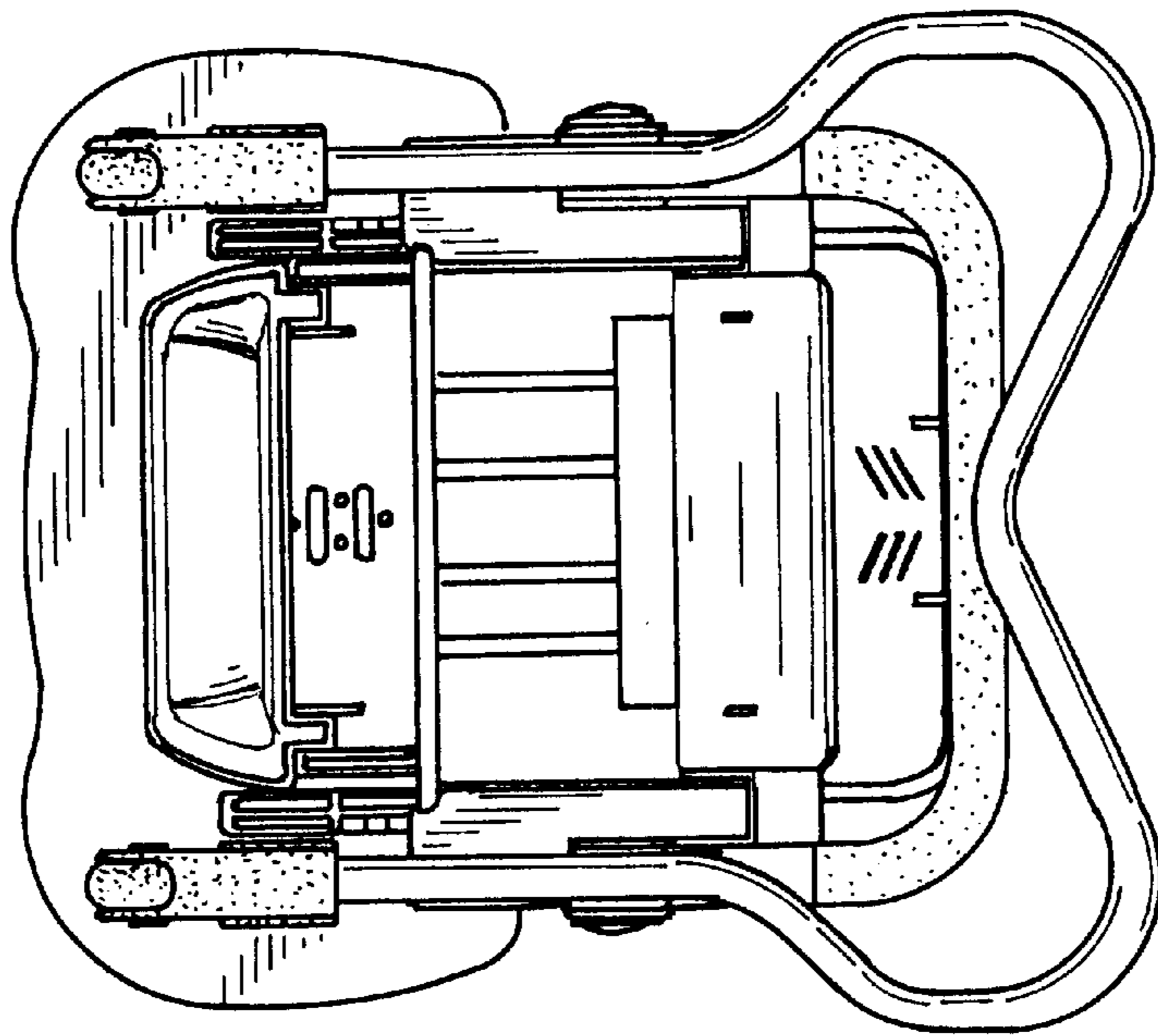


FIG. 7

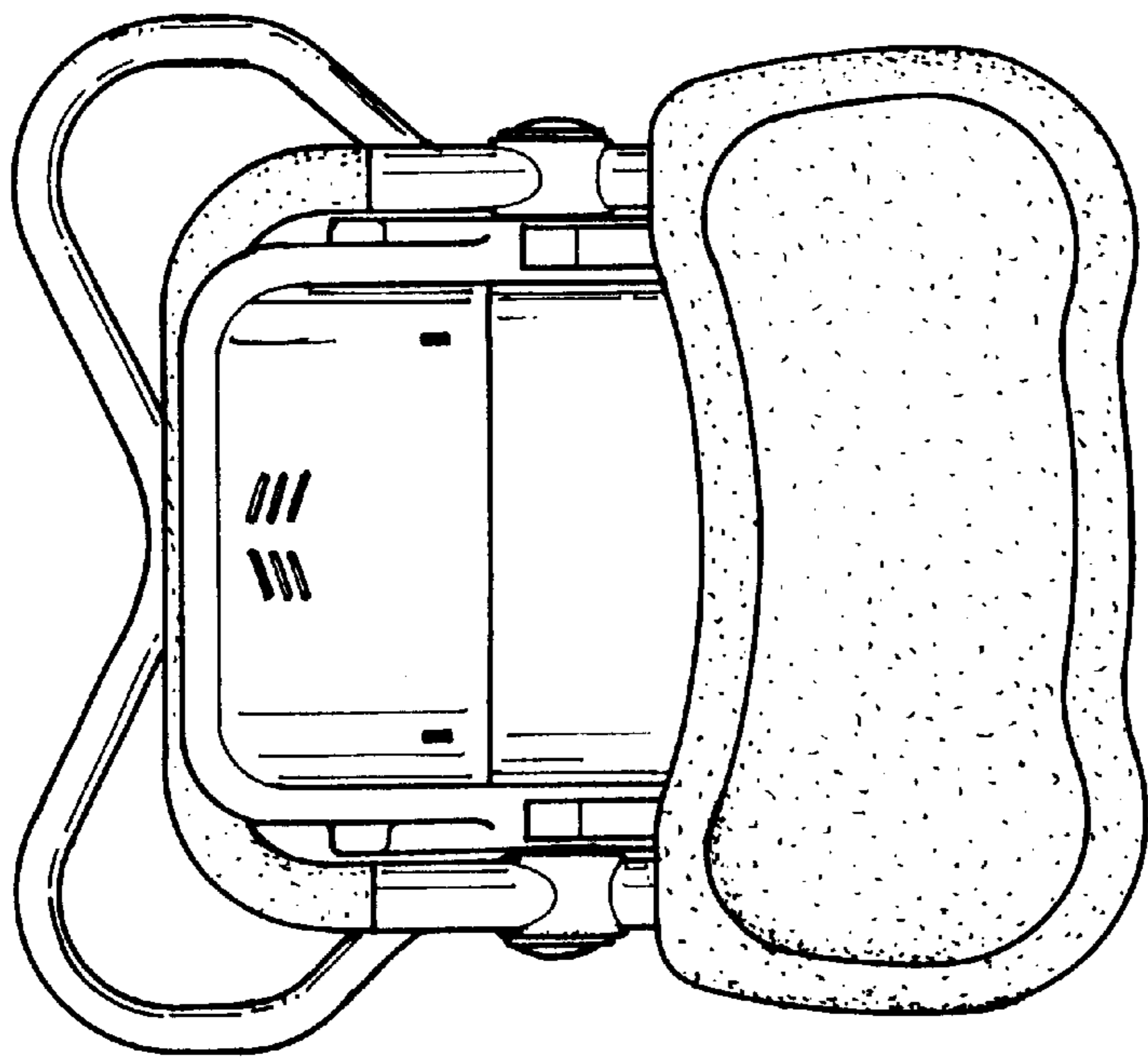


FIG. 6