



US00D454006S

(12) **United States Design Patent**
Gouldson

(10) **Patent No.:** **US D454,006 S**

(45) **Date of Patent:** **** Mar. 5, 2002**

(54) **GARMENT HANGER**

6,105,835 A * 8/2000 Hatakeyama 223/88

(75) Inventor: **Stanley F. Gouldson**, Northport, NY
(US)

FOREIGN PATENT DOCUMENTS

SE 163192 5/1958

(73) Assignee: **Spotless Plastics Pty. Ltd.**, Moorabbin
(AU)

OTHER PUBLICATIONS

A & E Products Group, a division of Carlisle Plastics, Inc.
Catalog (undated), p. 27 (Models 131, 563, 236, 951, 959).

(**) Term: **14 Years**

* cited by examiner

(21) Appl. No.: **29/137,844**

Primary Examiner—B. J. Bullock

(22) Filed: **Feb. 28, 2001**

(74) *Attorney, Agent, or Firm*—Scully, Scott, Murphy &
Presser

(51) **LOC (7) Cl.** **06-08**

(52) **U.S. Cl.** **D6/326; D6/315**

(57) **CLAIM**

(58) **Field of Search** D6/315, 326; 211/113;
223/85, 90, 91, 93, 96, 88, 95

The ornamental design for a garment hanger, as shown and
described.

(56) **References Cited**

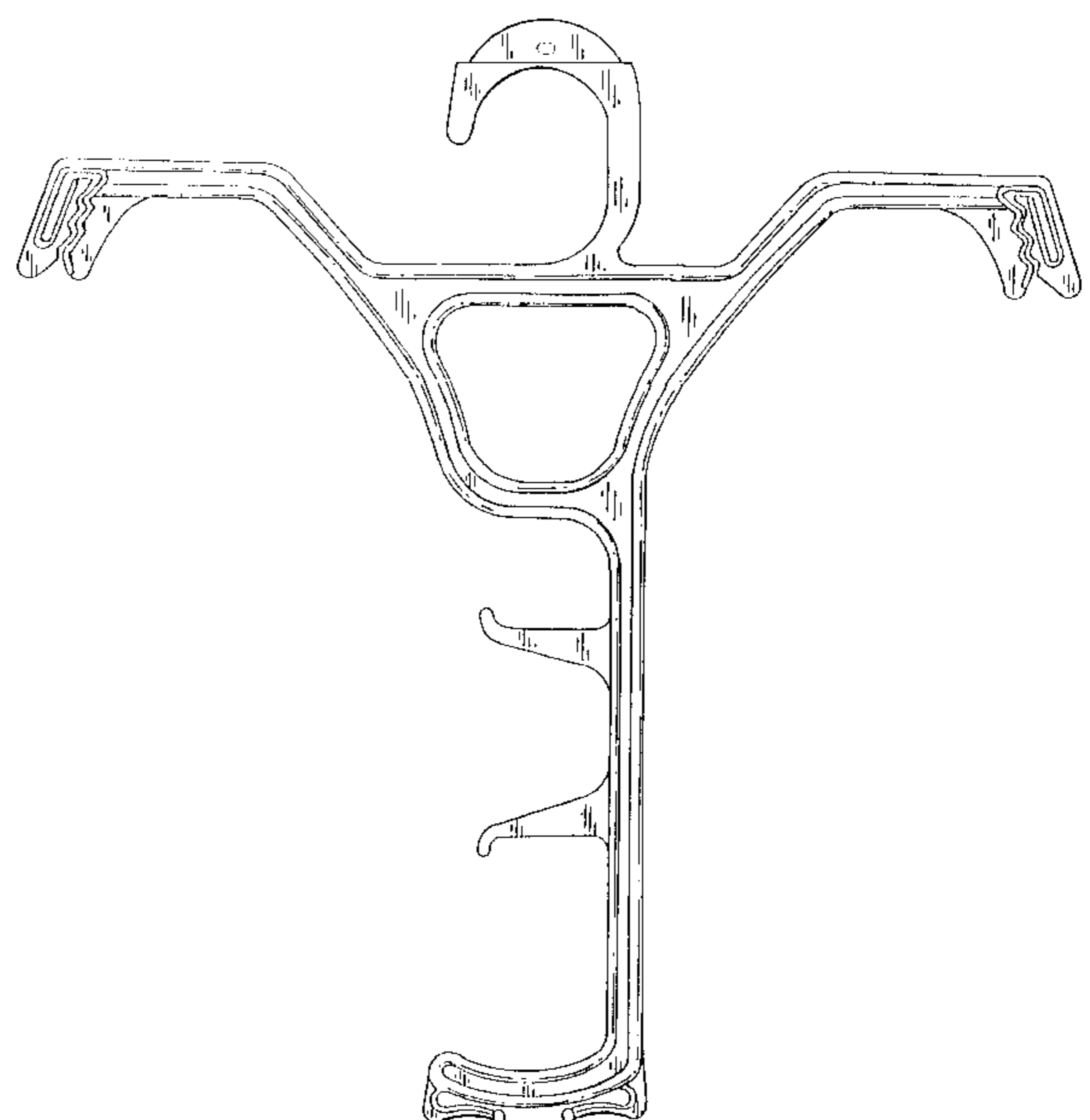
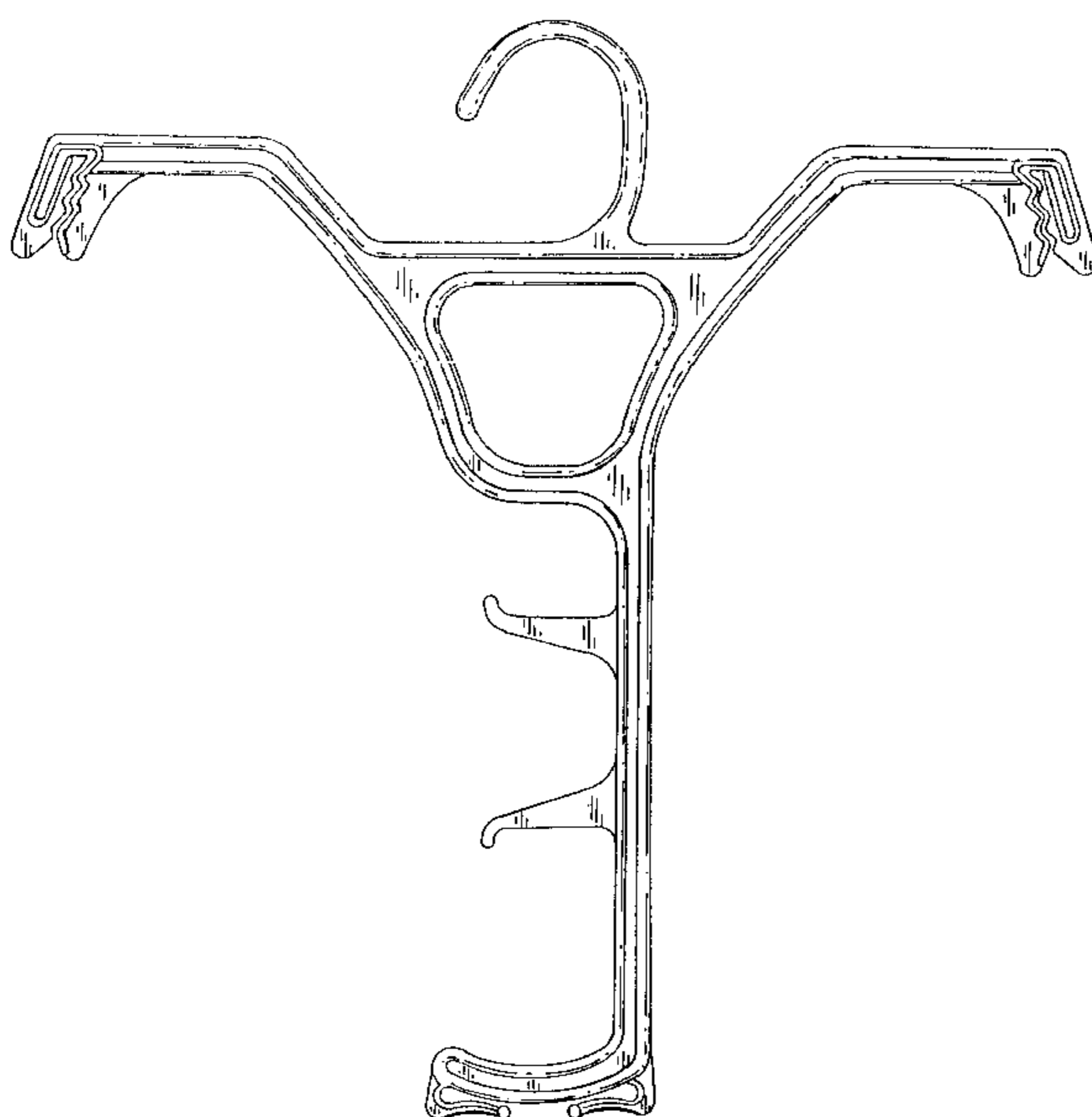
DESCRIPTION

U.S. PATENT DOCUMENTS

2,494,400	A	1/1950	McNut	
D184,375	S	2/1959	Schaefer	
2,904,235	A	9/1959	Crockett	
3,307,753	A	* 3/1967	Levine et al.	223/95
4,542,838	A	9/1985	Perez-Tubens et al.	
4,623,079	A	11/1986	Tendrup et al.	
4,629,102	A	12/1986	Tendrup et al.	
4,805,816	A	2/1989	Freund	
4,892,238	A	1/1990	Pinczykowski	
D305,834	S	* 2/1990	DeVito	D6/326
D316,571	S	4/1991	Romero-Comas et al.	
D353,945	S	1/1995	Louw	
4,623,079	C1	12/1995	Tendrup et al.	
4,629,102	C1	12/1995	Tendrup et al.	
D368,376	S	* 4/1996	Gouldson et al.	D6/326
D368,805	S	4/1996	Hatakeyama	
5,894,969	A	4/1999	Speckert	
6,000,588	A	* 12/1999	Kolton et al.	223/85

FIG. 1 is a front elevation view of a garment hanger showing
my new design;
FIG. 2 is a rear elevation view thereof;
FIG. 3 is a left end elevation view thereof;
FIG. 4 is a right end elevation view thereof;
FIG. 5 is a top plan view thereof;
FIG. 6 is a bottom plan view thereof;
FIG. 7 is a front elevation view of a second embodiment of
my design. The portion shown in phantom lines forms no
part of the claimed design;
FIG. 8 is a rear elevation view of FIG. 7;
FIG. 9 is a left end elevation view of FIG. 7;
FIG. 10 is a right end elevation view of FIG. 7;
FIG. 11 is a top plan view of FIG. 7; and,
FIG. 12 is bottom plan view of FIG. 7.

1 Claim, 6 Drawing Sheets



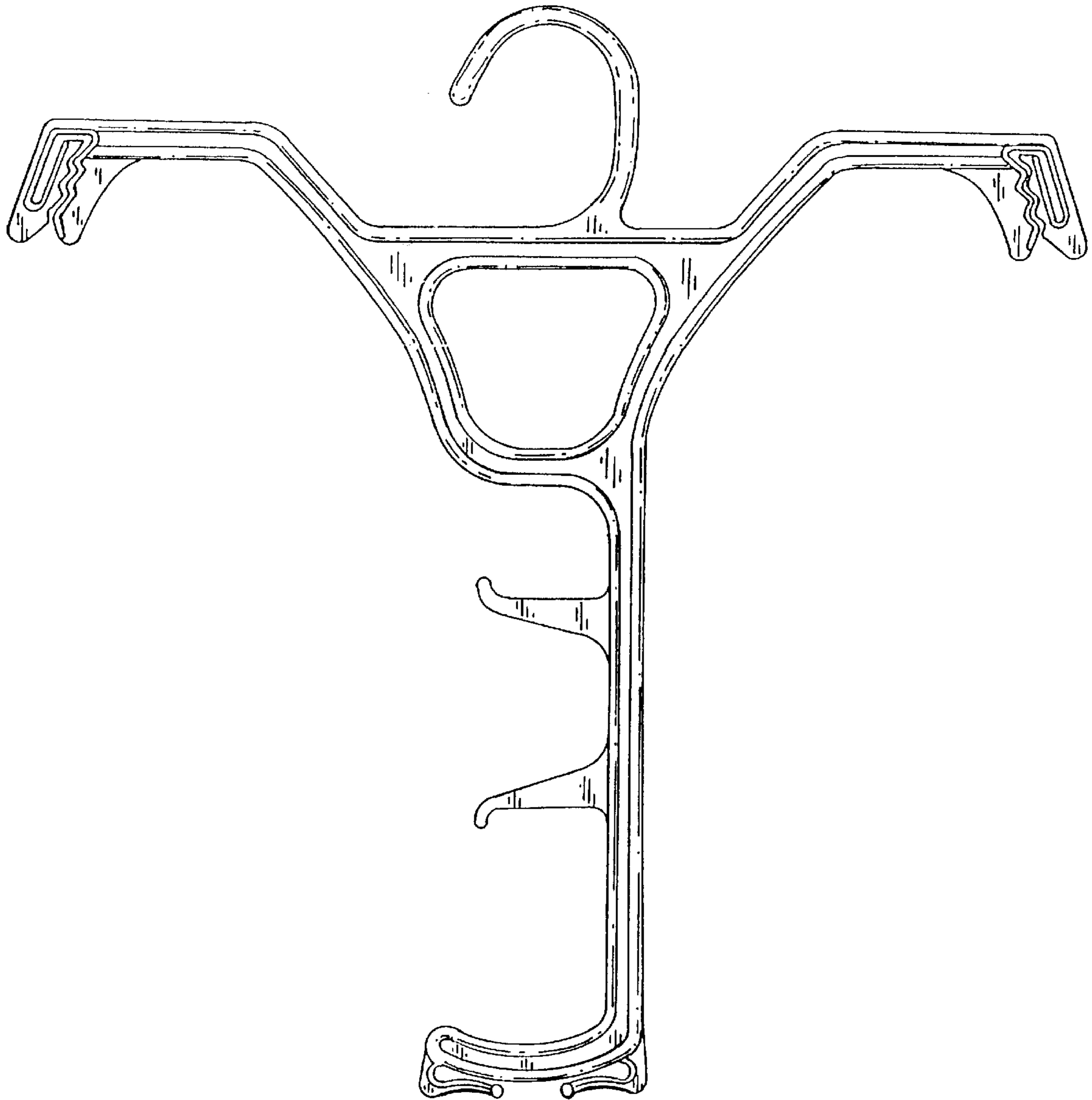


FIG. 1

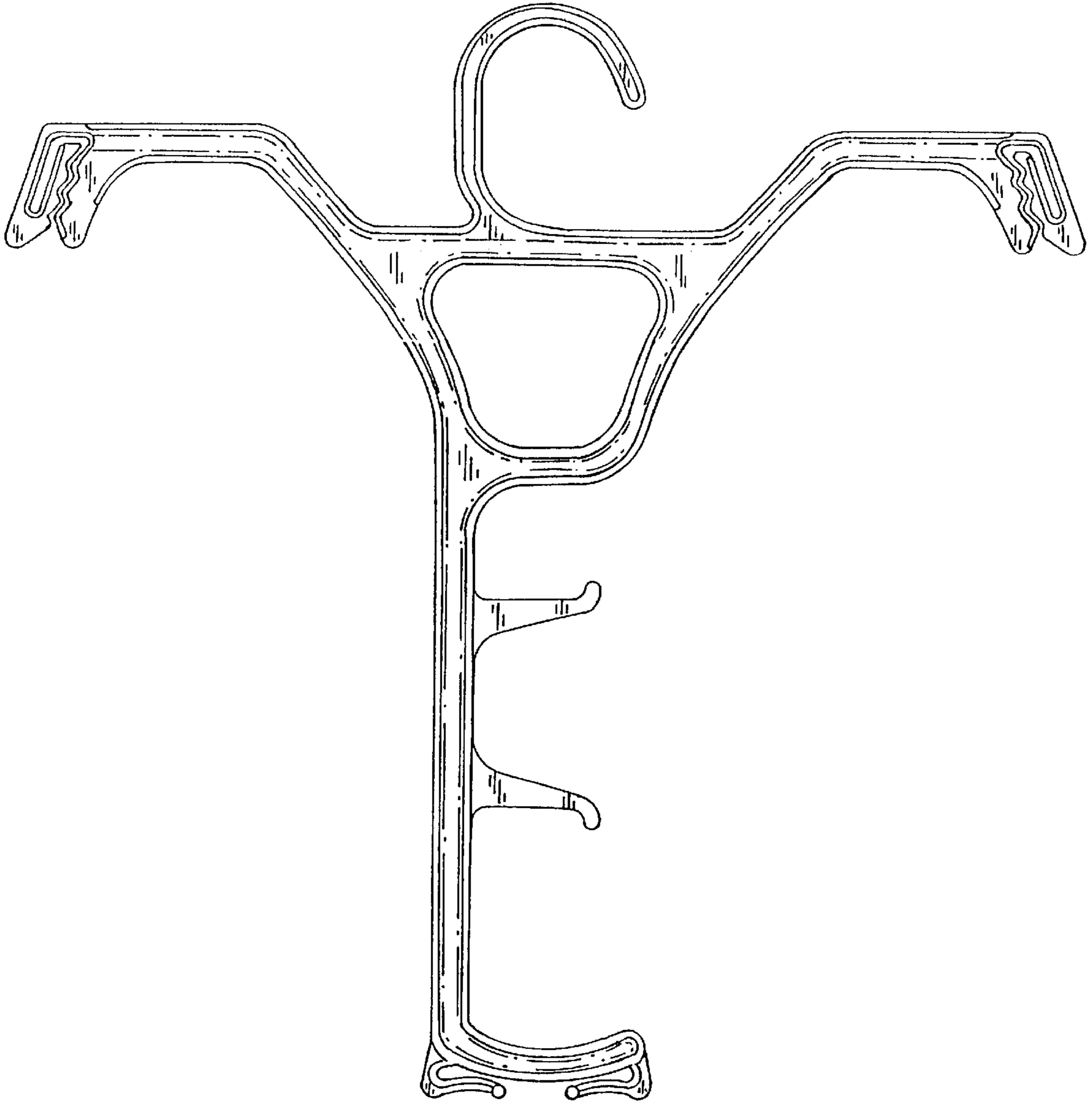


FIG. 2

FIG. 3



FIG. 4

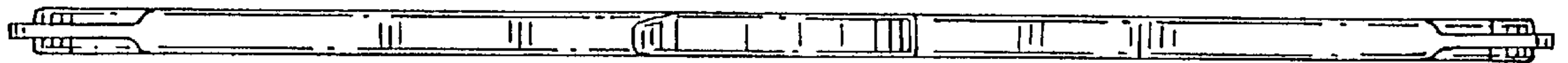


FIG. 5



FIG. 6

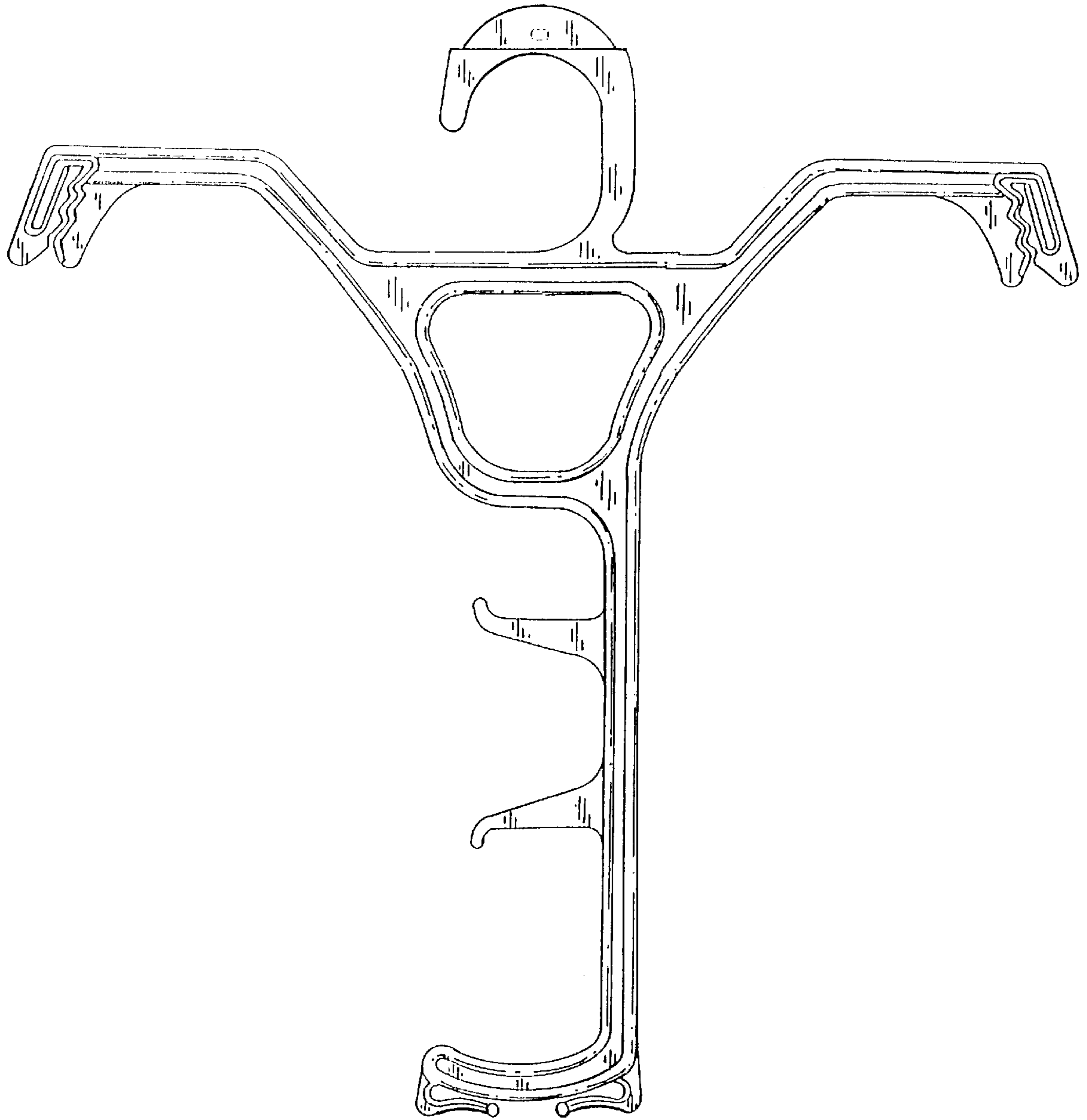


FIG. 7

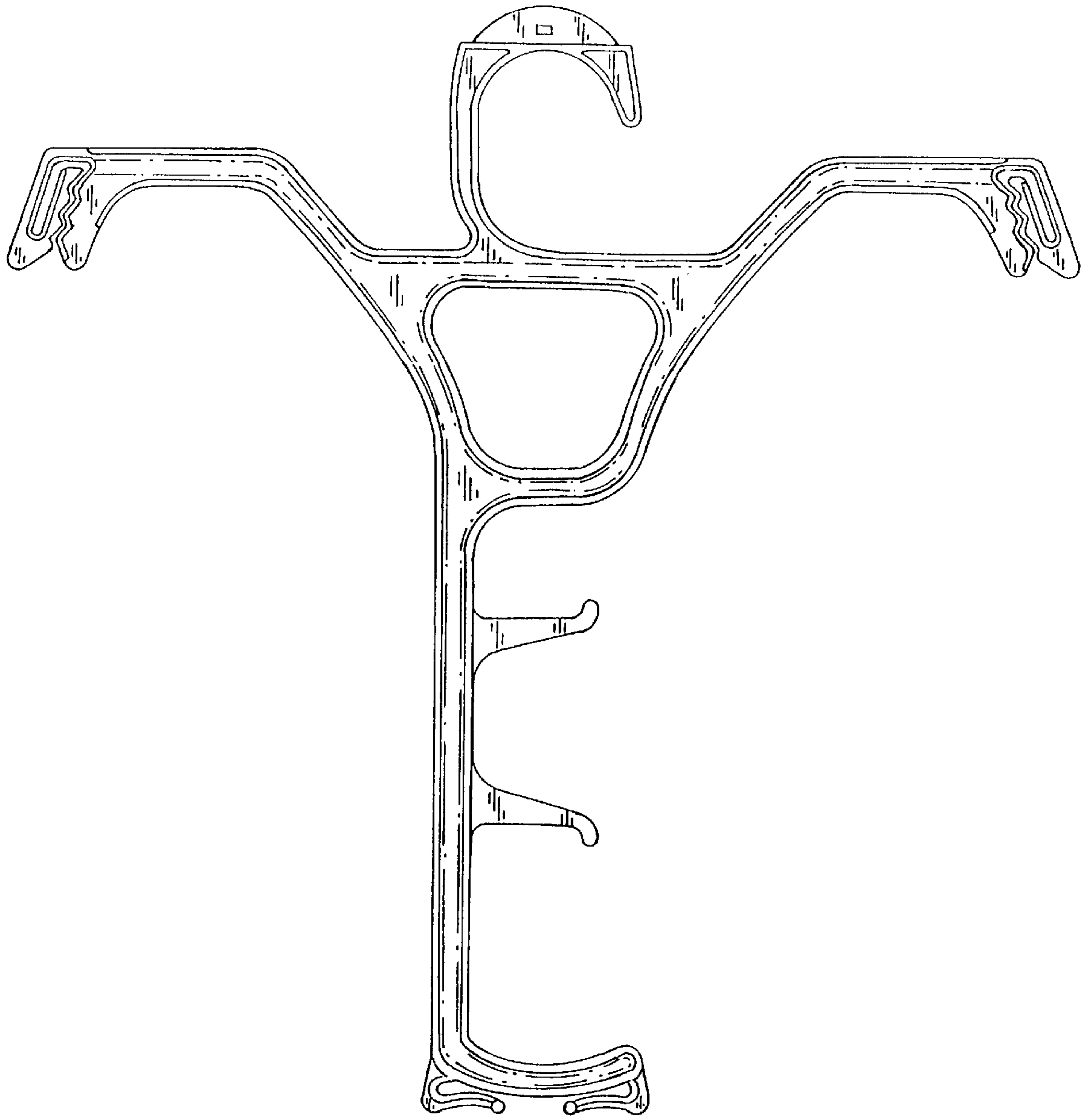


FIG. 8

FIG. 9



FIG. 10

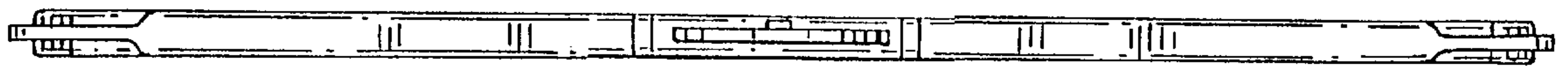


FIG. 11



FIG. 12