



US00D454000S

(12) **United States Design Patent**
Gringer

(10) **Patent No.:** **US D454,000 S**

(45) **Date of Patent:** **** Mar. 5, 2002**

(54) **WIDE STRAIGHT BRUSH**

(75) Inventor: **Donald Gringer**, New York County,
NY (US)

(73) Assignee: **Allway Tools, Inc.**, Bronx, NY (US)

(**) Term: **14 Years**

(21) Appl. No.: **29/124,842**

(22) Filed: **Jun. 13, 2000**

(51) **LOC (7) Cl.** **04-01**

(52) **U.S. Cl.** **D4/118; D4/134**

(58) **Field of Search** D4/116, 118, 132,
D4/134, 138; D32/42, 49; 7/105, 158; 15/105,
111, 236.01, 236.02, 143.1, 159.1, 160;
16/110.1, 430

(56) **References Cited**

U.S. PATENT DOCUMENTS

D178,310 S * 7/1956 Racicot D4/134
D209,503 S * 12/1967 Tucket D4/134
D378,959 S * 4/1997 Gringer D4/132

FOREIGN PATENT DOCUMENTS

JP 10-295445 * 11/1998 A46B/15/00

OTHER PUBLICATIONS

The Milwaukee Brush Manufacturing Co., Catalog No.
36-R-7, Jun. 1949; Combination Brush and Steel Scraper—
Item No. 1665, p. 15.*

Sparta Brushes for Food Service, Catalog No. 300, Feb.
1978; Wire Brush with Scraper—Item No. 2841, p. 15.*

Fuller Brush Catalog, Inc., ©1988; Grill Brush—Item No.
11945A, p. 41.*

* cited by examiner

Primary Examiner—Alan P. Douglas

Assistant Examiner—Lavone Tabor

(74) *Attorney, Agent, or Firm*—David M. Klein; Shearman
& Sterling

(57) **CLAIM**

The ornamental design for a wide straight brush, as shown
and described.

DESCRIPTION

FIG. 1 is a perspective view of the wide straight brush of the
invention;

FIG. 2 is a top view of the wide straight brush shown in FIG.
1;

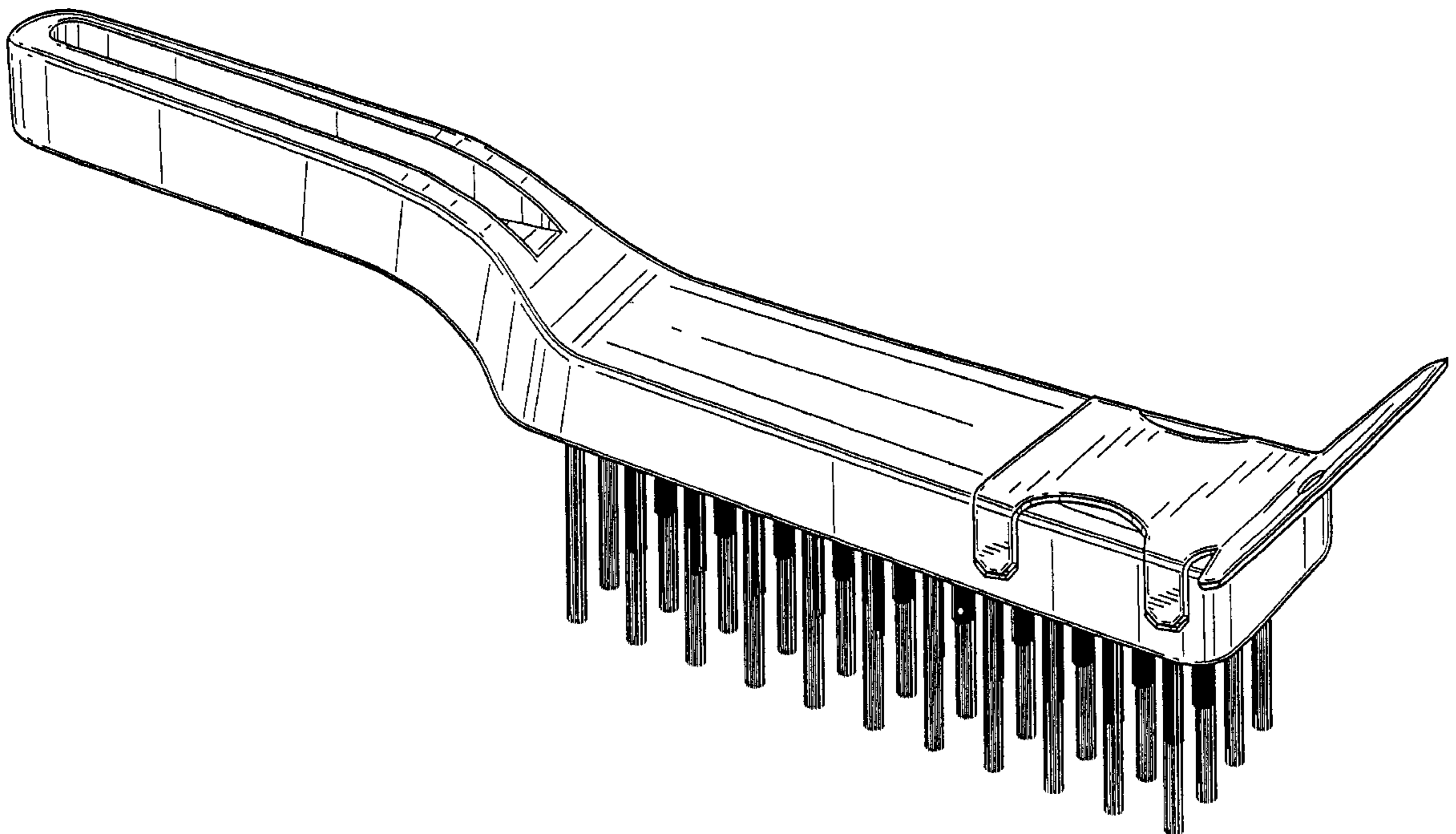
FIG. 3 is a bottom view of the wide straight brush shown in
FIG. 1;

FIG. 4 is a left side view of the wide straight brush shown
in FIG. 1, the right side view being a mirror image thereof;

FIG. 5 is a front view of the wide straight brush shown in
FIG. 1; and,

FIG. 6 is a rear view of the wide straight brush shown in
FIG. 1.

1 Claim, 5 Drawing Sheets



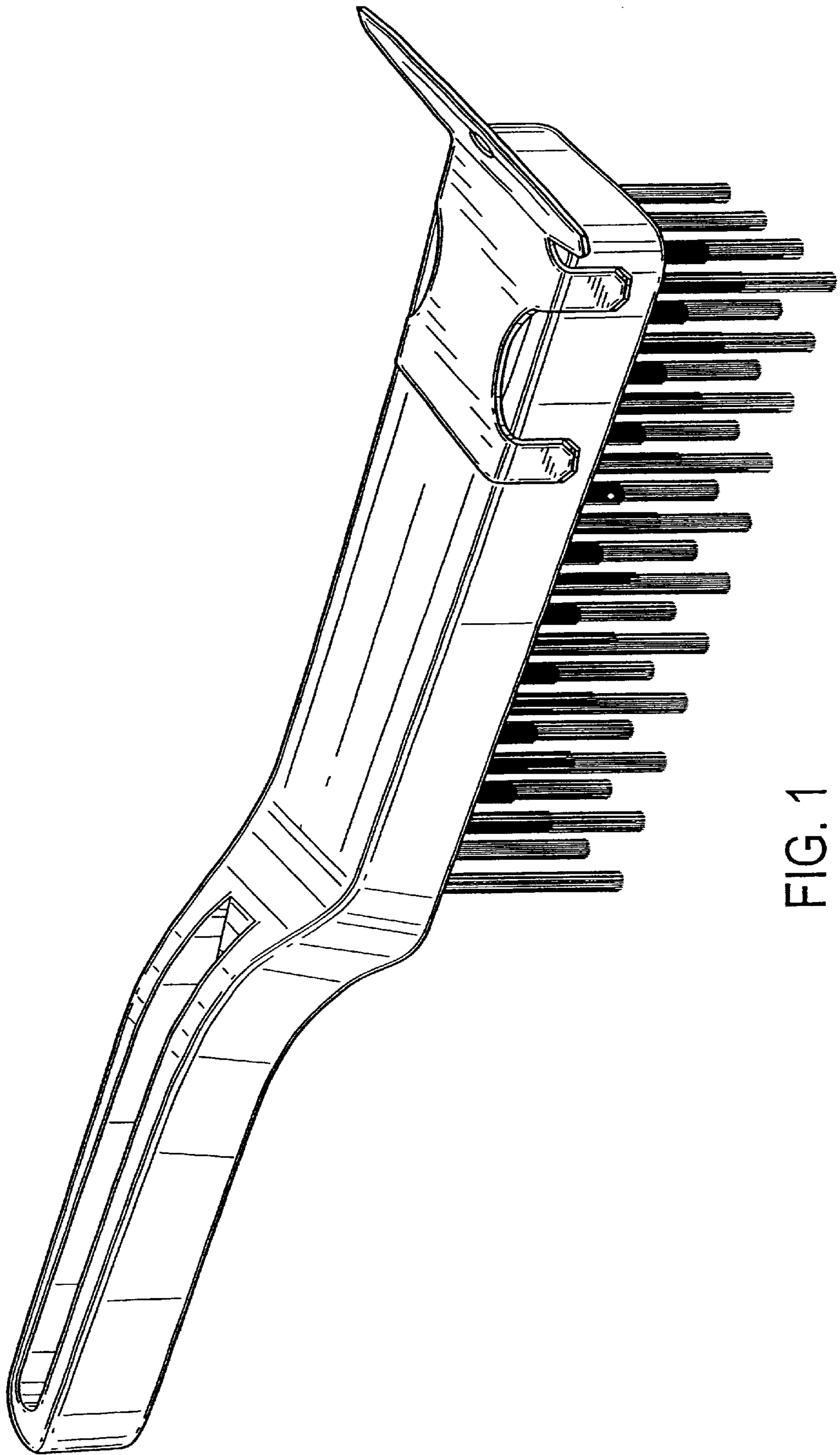


FIG. 1

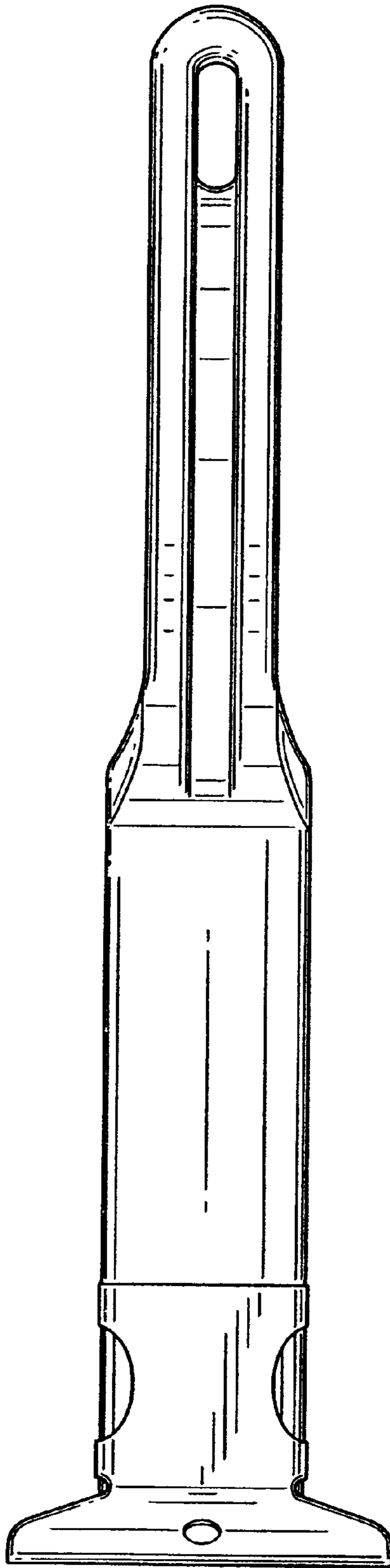


FIG. 2

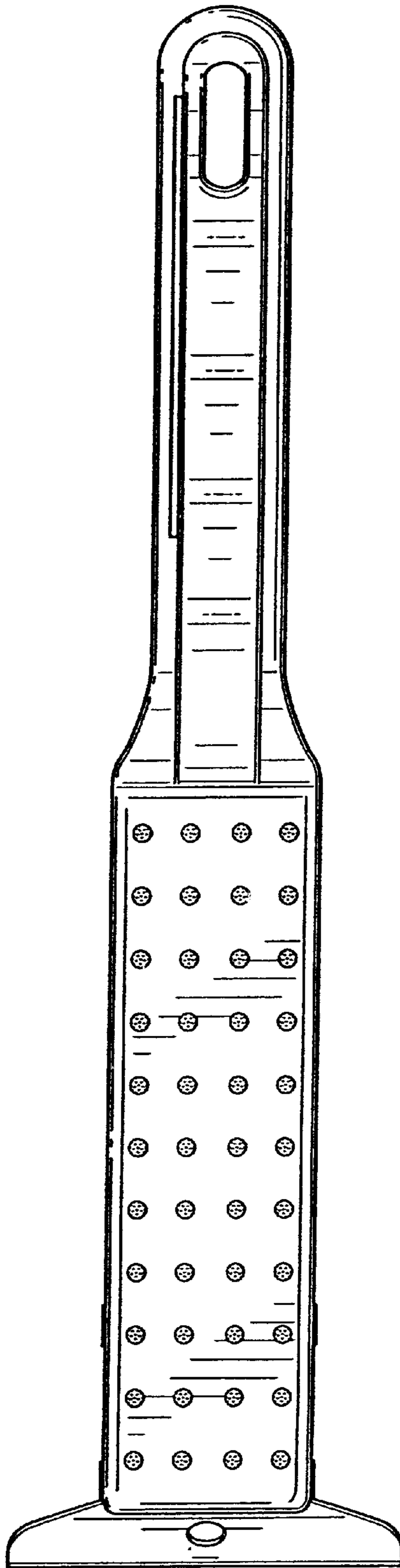


FIG. 3

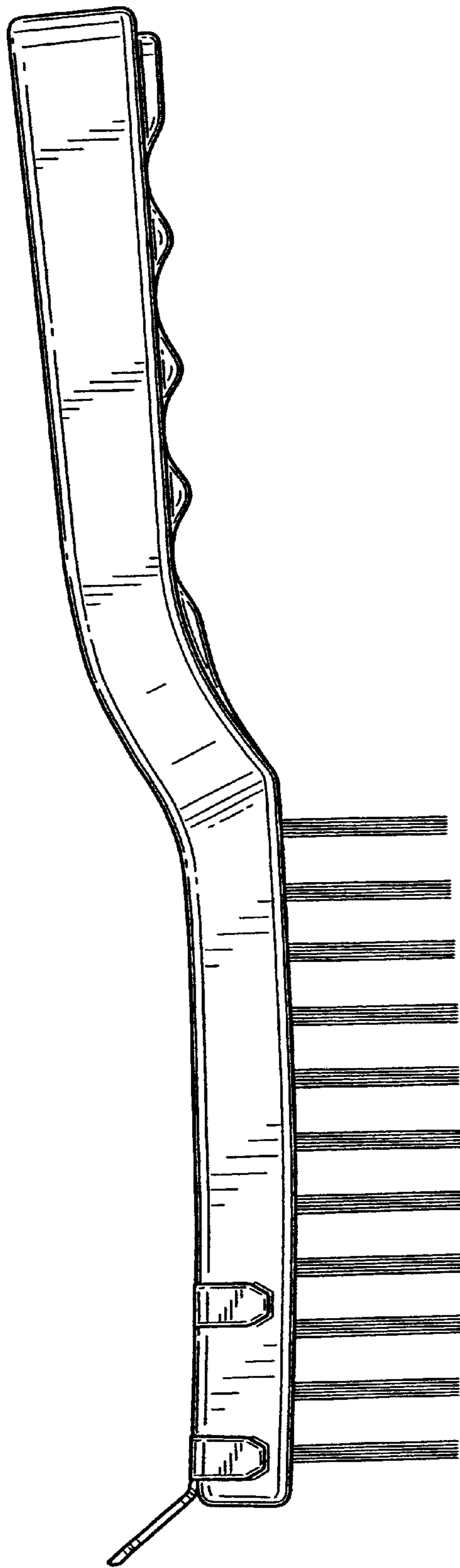


FIG. 4

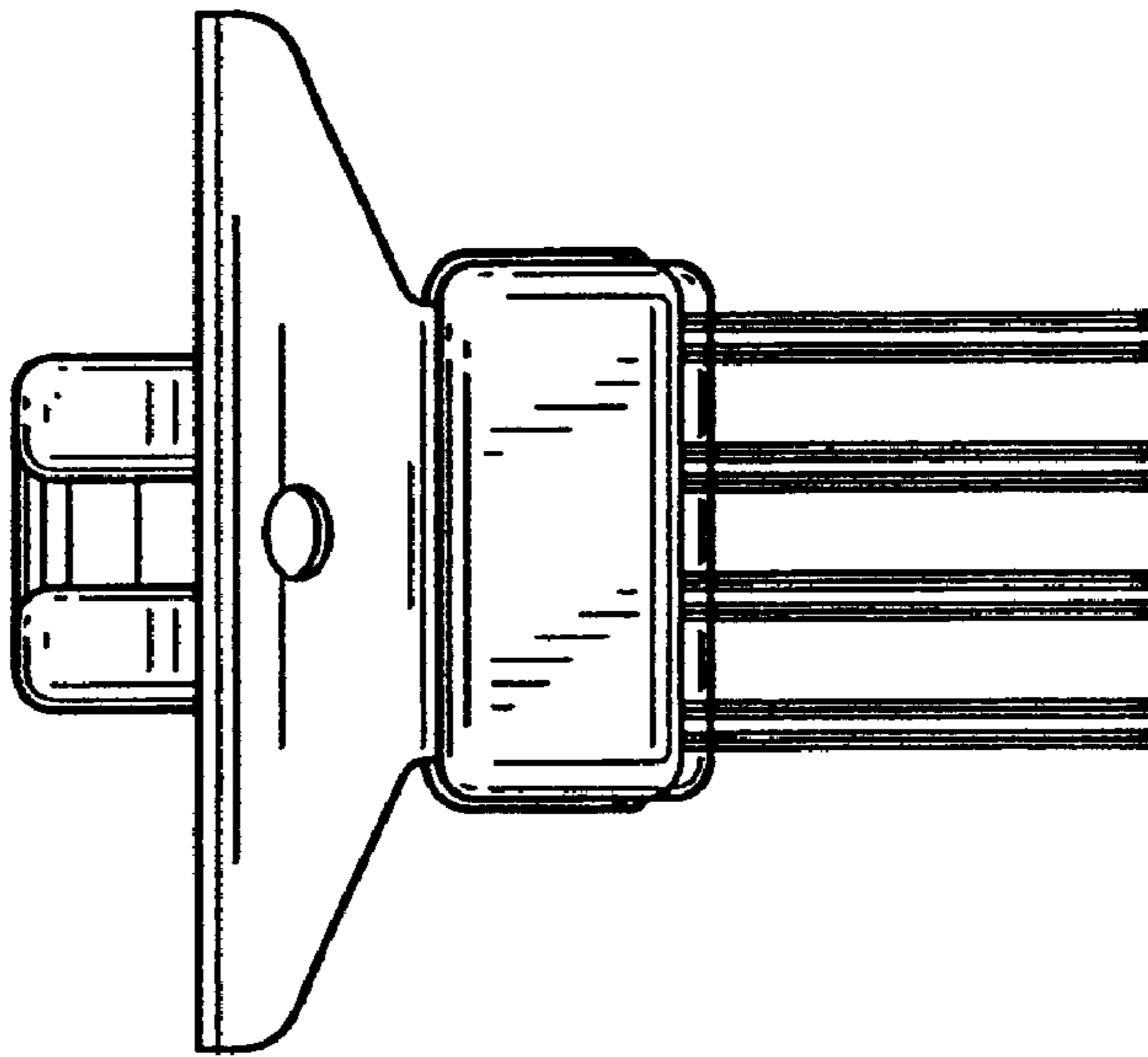


FIG. 5

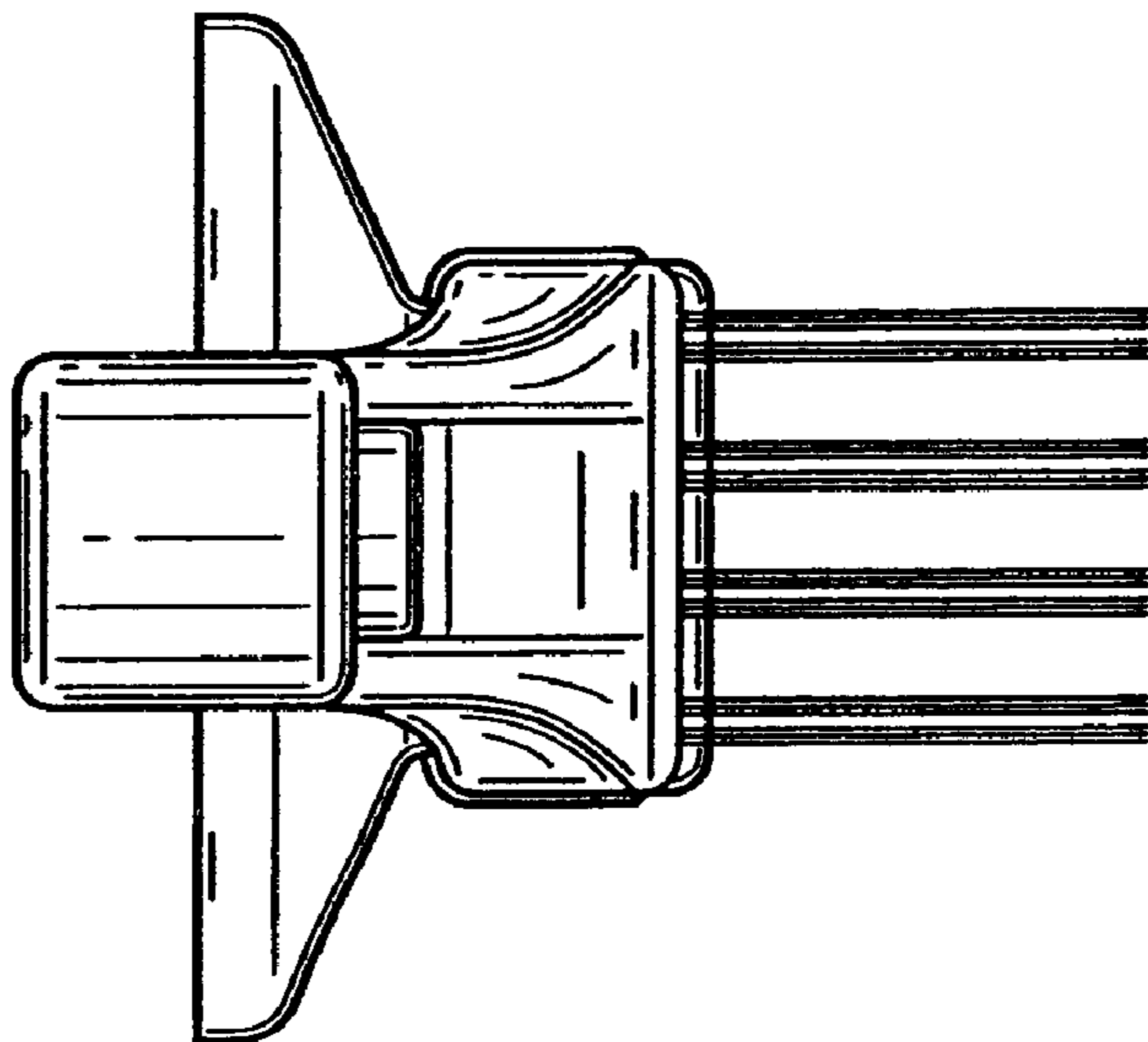


FIG. 6