



US00D453999S

(12) **United States Design Patent**
Hough et al.

(10) **Patent No.:** **US D453,999 S**

(45) **Date of Patent:** **** Mar. 5, 2002**

(54) **TOOTHBRUSH WITH INCORPORATED STAND**

5,517,712 A * 5/1996 Schiano 15/167.1
D408,997 S * 5/1999 Holland D4/108

(76) Inventors: **Beverly Rae Hough**, 19251 Brookhurst St. Space 74, Huntington Beach, CA (US) 92646; **Nikole Furlong**, 2745 W. Sandi Dr., Layton, UT (US) 84041

FOREIGN PATENT DOCUMENTS

EP 0360766 * 3/1990 A46B/9/06

* cited by examiner

(**) Term: **14 Years**

Primary Examiner—Alan P. Douglas

Assistant Examiner—Lavone Tabor

(21) Appl. No.: **29/141,014**

(74) *Attorney, Agent, or Firm*—Goldstein Law Offices, PC

(22) Filed: **Apr. 27, 2001**

(57) **CLAIM**

(51) **LOC (7) Cl.** **04-02**

The ornamental design for a toothbrush with incorporated stand, as shown and described.

(52) **U.S. Cl.** **D4/108**

(58) **Field of Search** D4/104–113, 116, D4/121, 132, 134, 138; 15/105, 143.1, 159.1, 167.1, 186, 187, 246, 257.01; 211/65; 248/110, 688; 132/308; 601/139, 141

DESCRIPTION

(56) **References Cited**

FIG. 1 is a front elevational view of a toothbrush with incorporated stand, the rear elevational view being a mirror image of the front view.

FIG. 2 is a top plan view thereof.

FIG. 3 is a bottom plan view thereof.

FIG. 4 is a left side elevational view thereof; and,

FIG. 5 is a right side elevational view thereof.

U.S. PATENT DOCUMENTS

3,968,950 A * 7/1976 Gallo 248/688
4,884,311 A * 12/1989 Gergory 15/167.1
D348,986 S * 7/1994 Rose D4/104

1 Claim, 2 Drawing Sheets

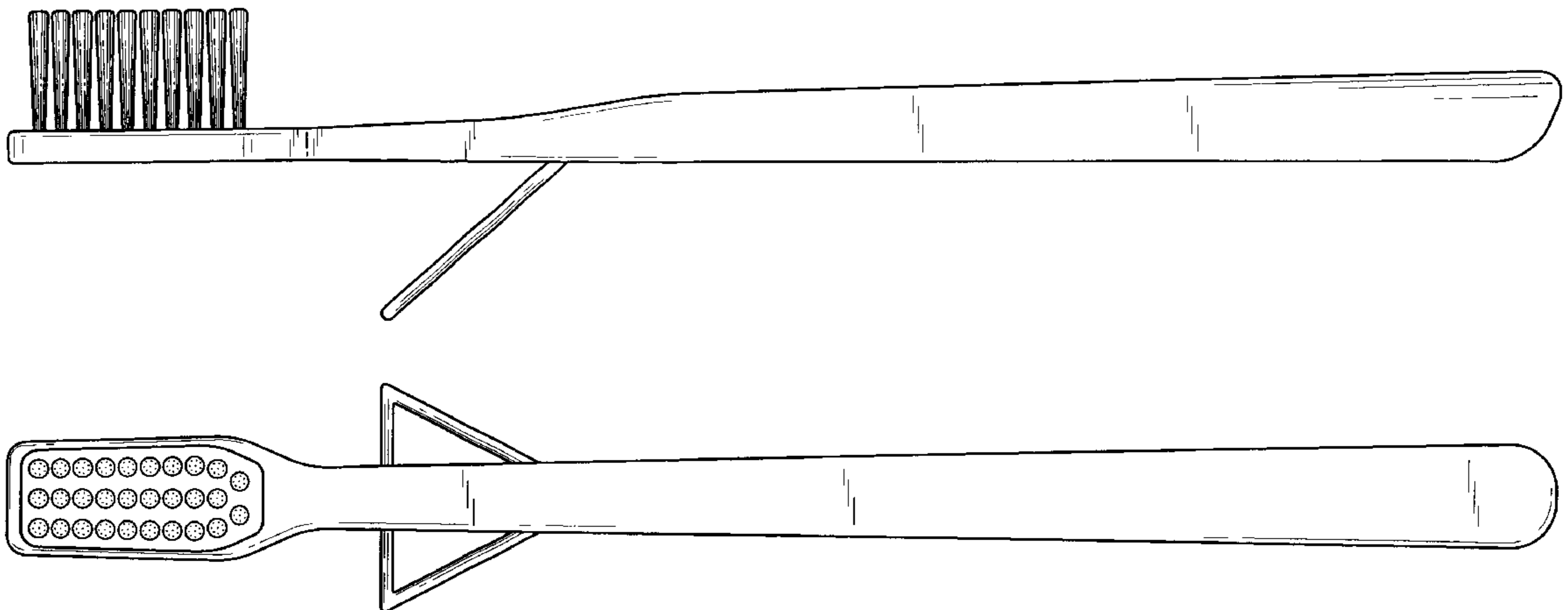


Fig. 1

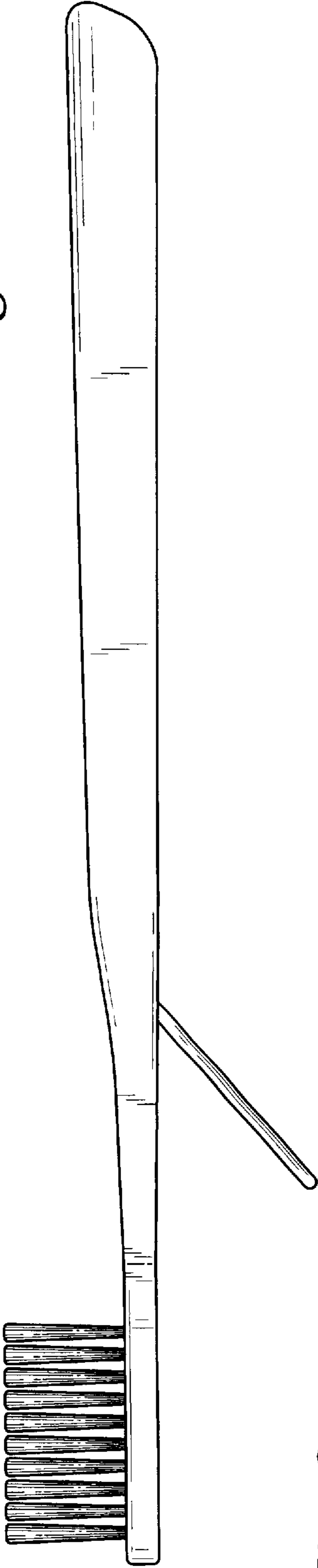


Fig. 2

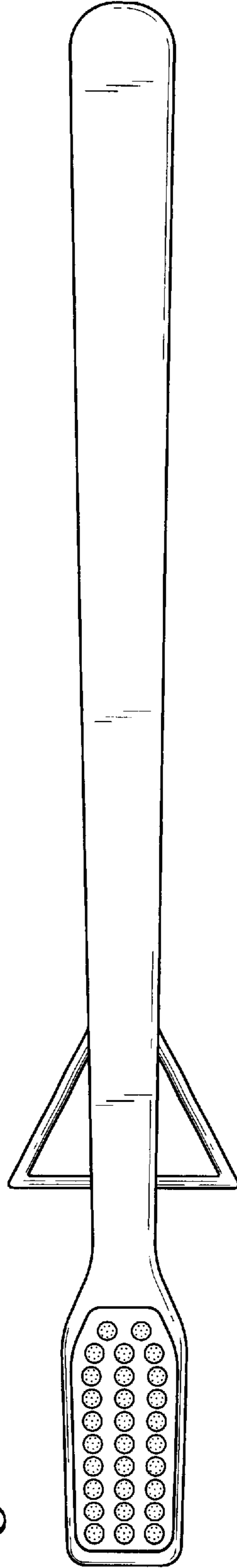
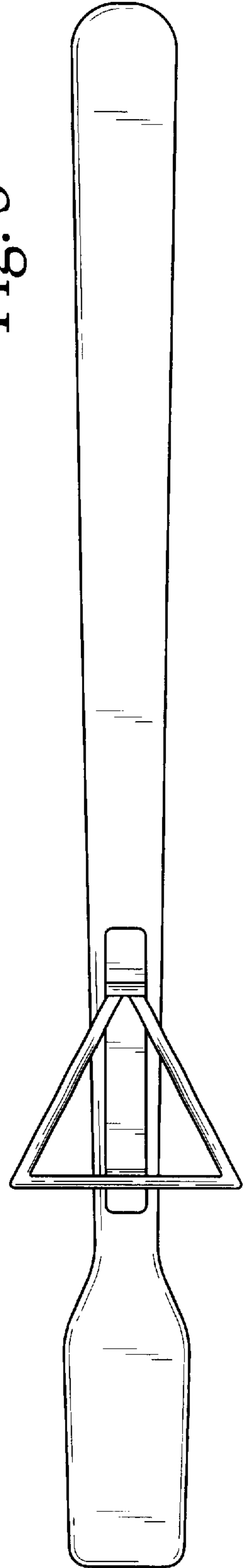


Fig. 3



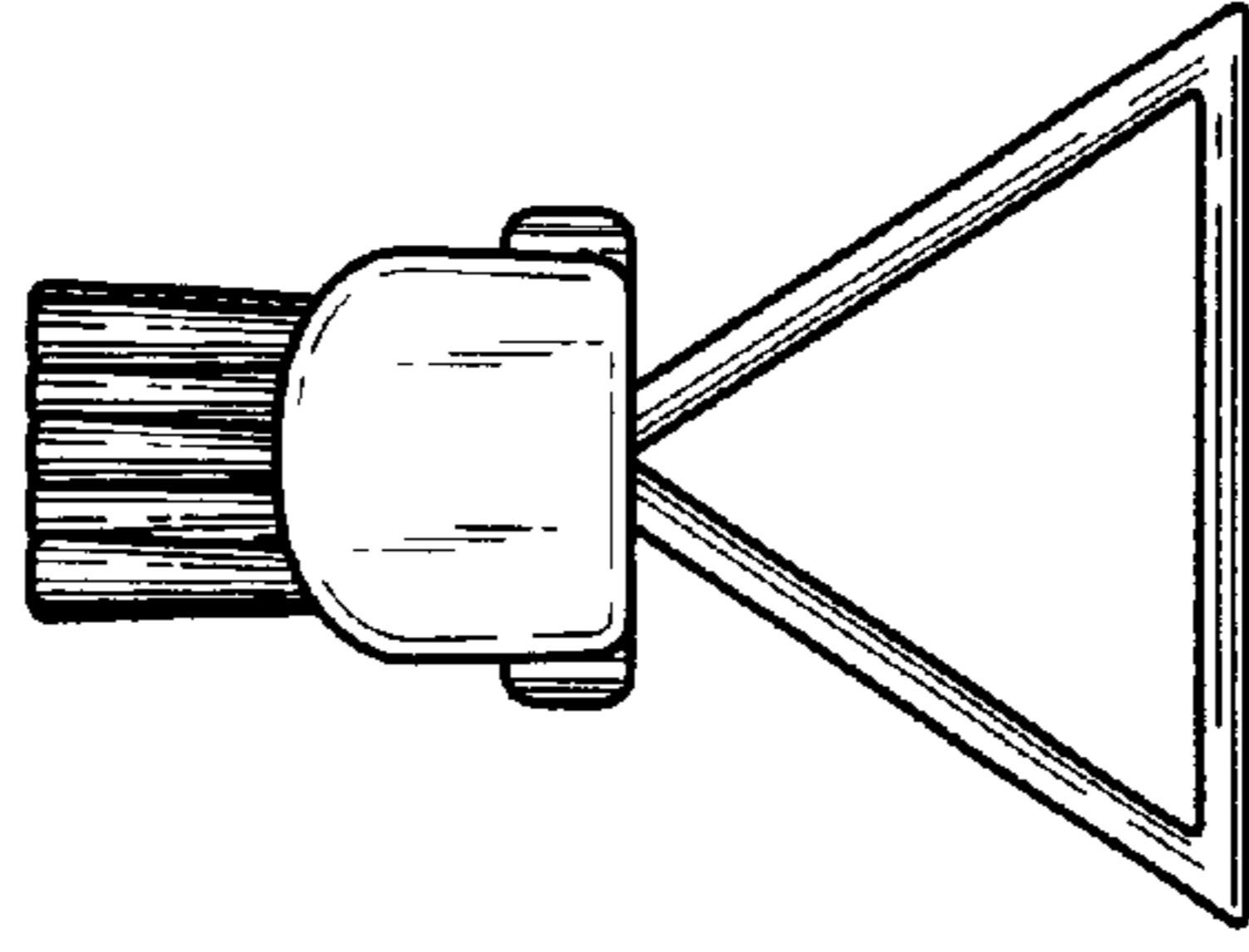


Fig. 5

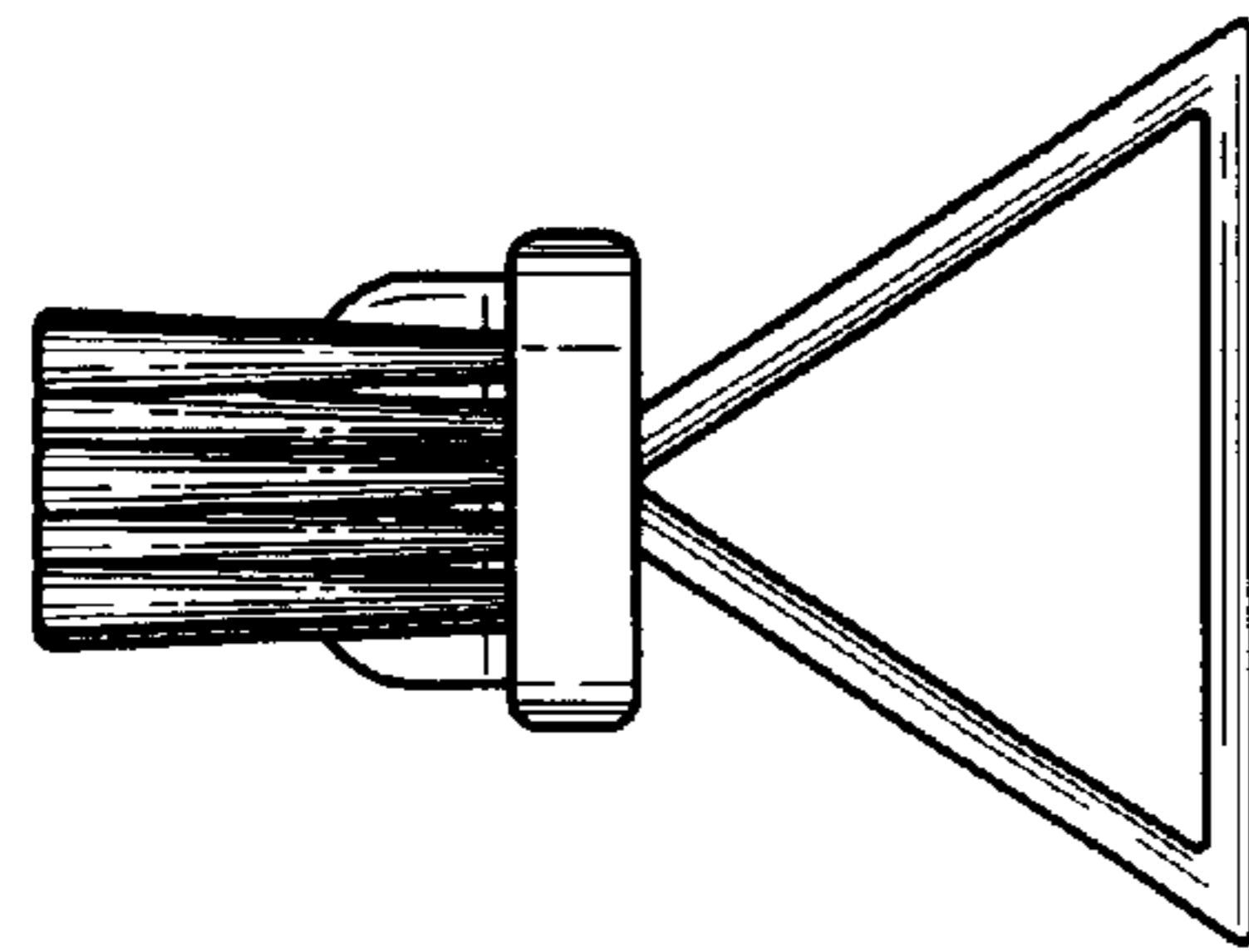


Fig. 4