



US00D453995S

(12) **United States Design Patent**  
**Slight**

(10) **Patent No.:** **US D453,995 S**

(45) **Date of Patent:** **\*\* Mar. 5, 2002**

(54) **TRAY**

(75) **Inventor:** **Peter T. Slight, Newmarket (CA)**

(73) **Assignee:** **Traitech Industries Inc., North York (CA)**

(\*\*) **Term:** **14 Years**

(21) **Appl. No.:** **29/139,163**

(22) **Filed:** **Mar. 21, 2001**

(30) **Foreign Application Priority Data**

Mar. 12, 2001 (CA) ..... 2001-0628

(51) **LOC (7) Cl. .... 03-01**

(52) **U.S. Cl. .... D3/304**

(58) **Field of Search ..... D3/304, 305, 307-31;**  
211/126.1, 126.14; 15/257.06, 260; 206/557,  
558, 566; D6/513, 396, 420; D7/550.1,  
553.1, 553.2, 553.3, 553.7, 554.1, 554.3,  
555; D19/75

(56) **References Cited**

**U.S. PATENT DOCUMENTS**

|           |   |   |        |             |       |           |
|-----------|---|---|--------|-------------|-------|-----------|
| 2,779,960 | A | * | 2/1957 | Ogren       | ..... | 220/570   |
| D209,882  | S | * | 1/1968 | Anderson    | ..... | D6/420    |
| D288,039  | S | * | 2/1987 | LeBlanc     | ..... | D19/75    |
| 4,669,609 | A | * | 6/1987 | Lugo        | ..... | 15/257.06 |
| D314,913  | S | * | 2/1991 | Ferbrache   | ..... | D6/396    |
| 5,007,552 | A | * | 4/1991 | Sage et al. | ..... | D7/555    |
| D428,701  | S | * | 8/2000 | Lamo, Jr.   | ..... | D3/304    |

**OTHER PUBLICATIONS**

Canadian Distinguishing Guise Trade-mark Application No. 825,705 entitled "Step-Up Tray With Insert" filed on Oct. 10, 1996 by Traitech Industries Inc.

Canadian Distinguishing Guise Trade-mark Application No. 825,702 entitled "False Bottom Tray Design" filed on Oct. 10, 1996 by Traitech Industries Inc.

Canadian Distinguishing Guise Trade-mark Application No. 825,704 entitled "3-Compartment Reversible Tray" filed on Oct. 10, 1996 by Traitech Industries Inc.

Canadian Distinguishing Guise Trade-mark Application No. 825,703 entitled "Single Compartment Tray Design" filed on Oct. 10, 1996 by Traitech Industries Inc.

\* cited by examiner

*Primary Examiner*—Louis S. Zarfes

*Assistant Examiner*—Deanne Levy

(74) *Attorney, Agent, or Firm*—Dimock Stratton Clarizio; Mark B. Eisen

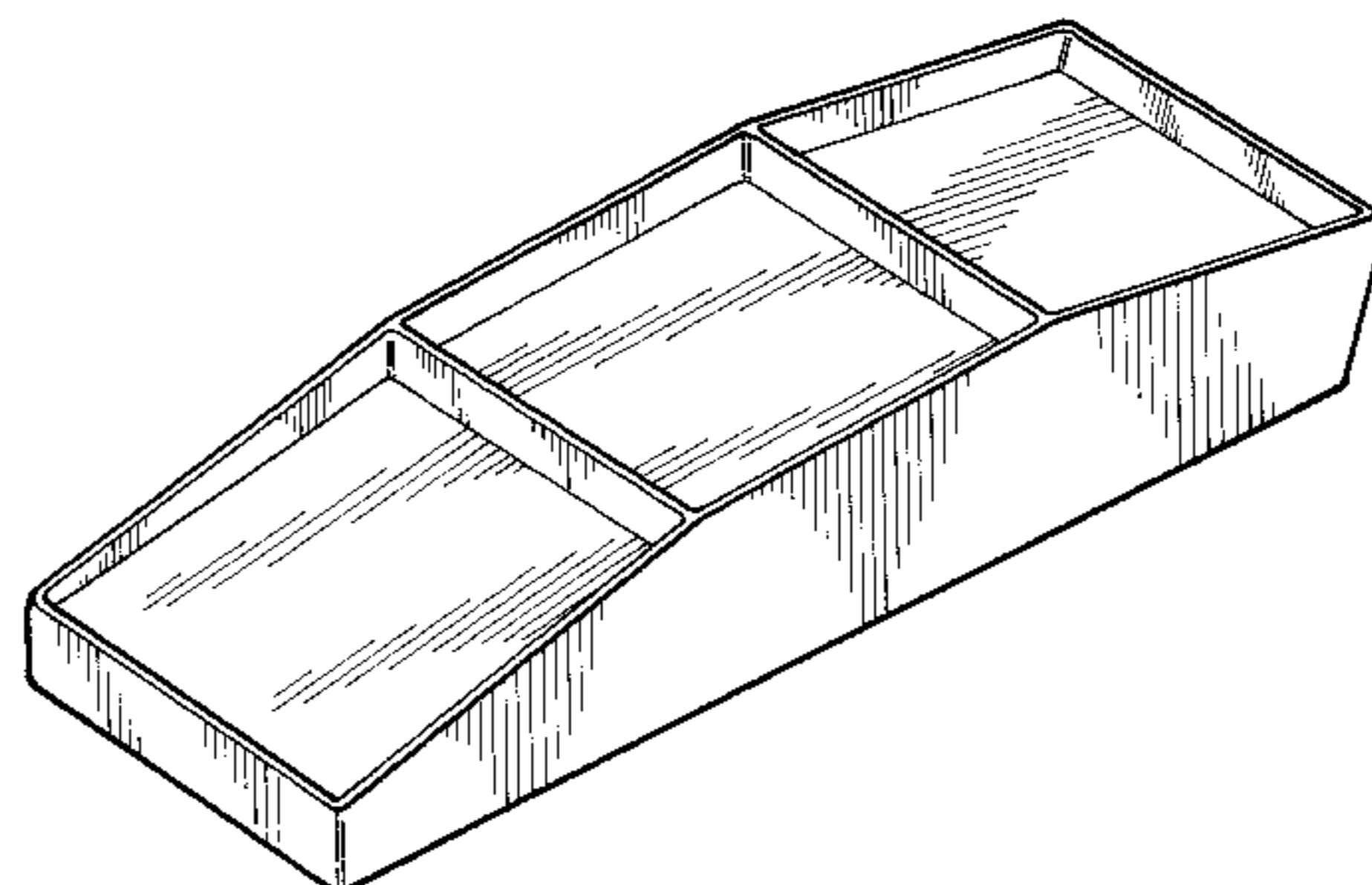
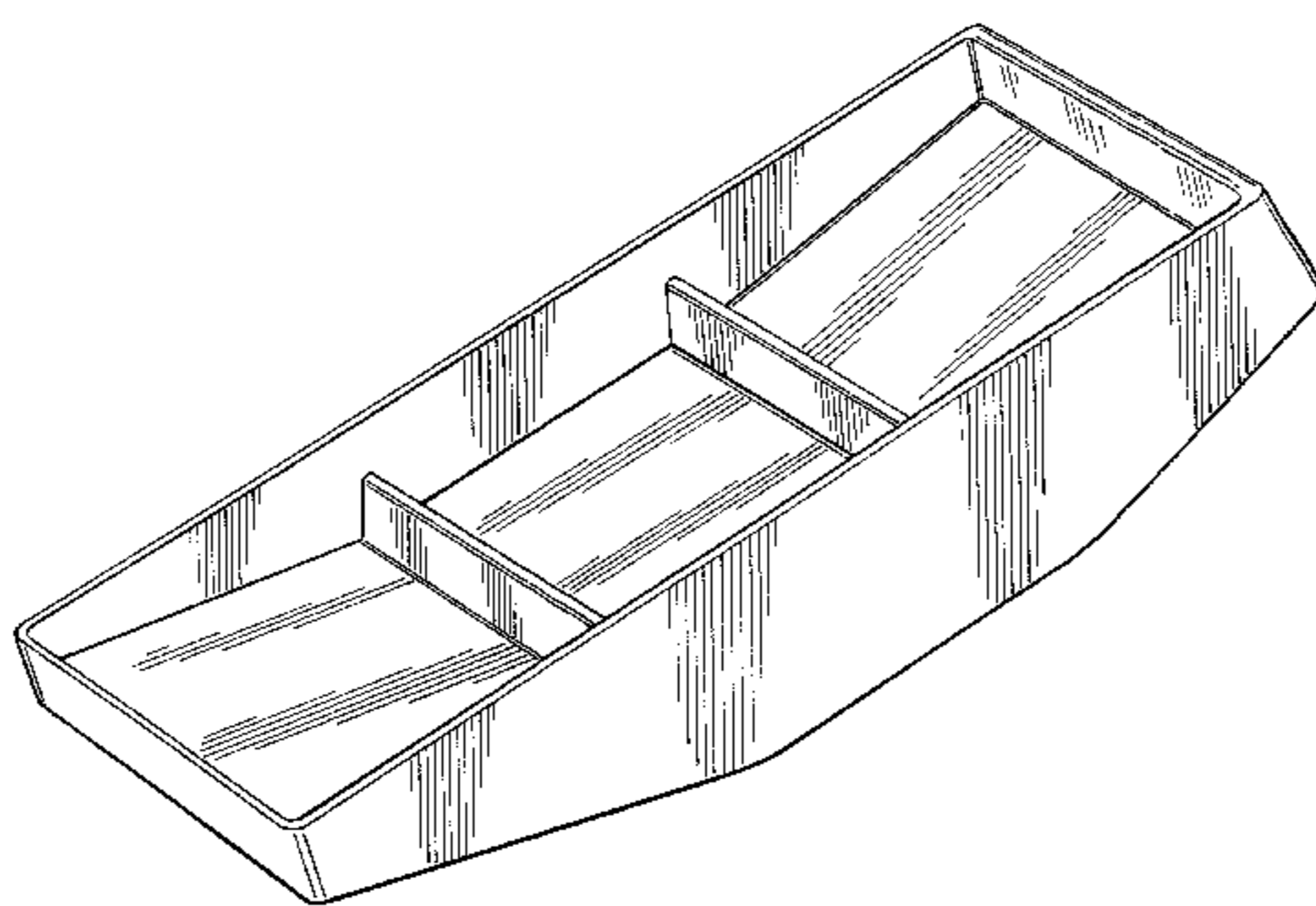
(57) **CLAIM**

The ornamental design for a tray, as shown and described.

**DESCRIPTION**

FIG. 1 is a perspective view of the tray,  
FIG. 2 is a side elevational view of FIG. 1, the opposite side being a mirror image thereof,  
FIG. 3 is a top plan view,  
FIG. 4 is a front-top perspective view,  
FIG. 5 is a front-bottom perspective view,  
FIG. 6 is a bottom plan view, and,  
FIG. 7 is a bottom perspective view.

**1 Claim, 4 Drawing Sheets**



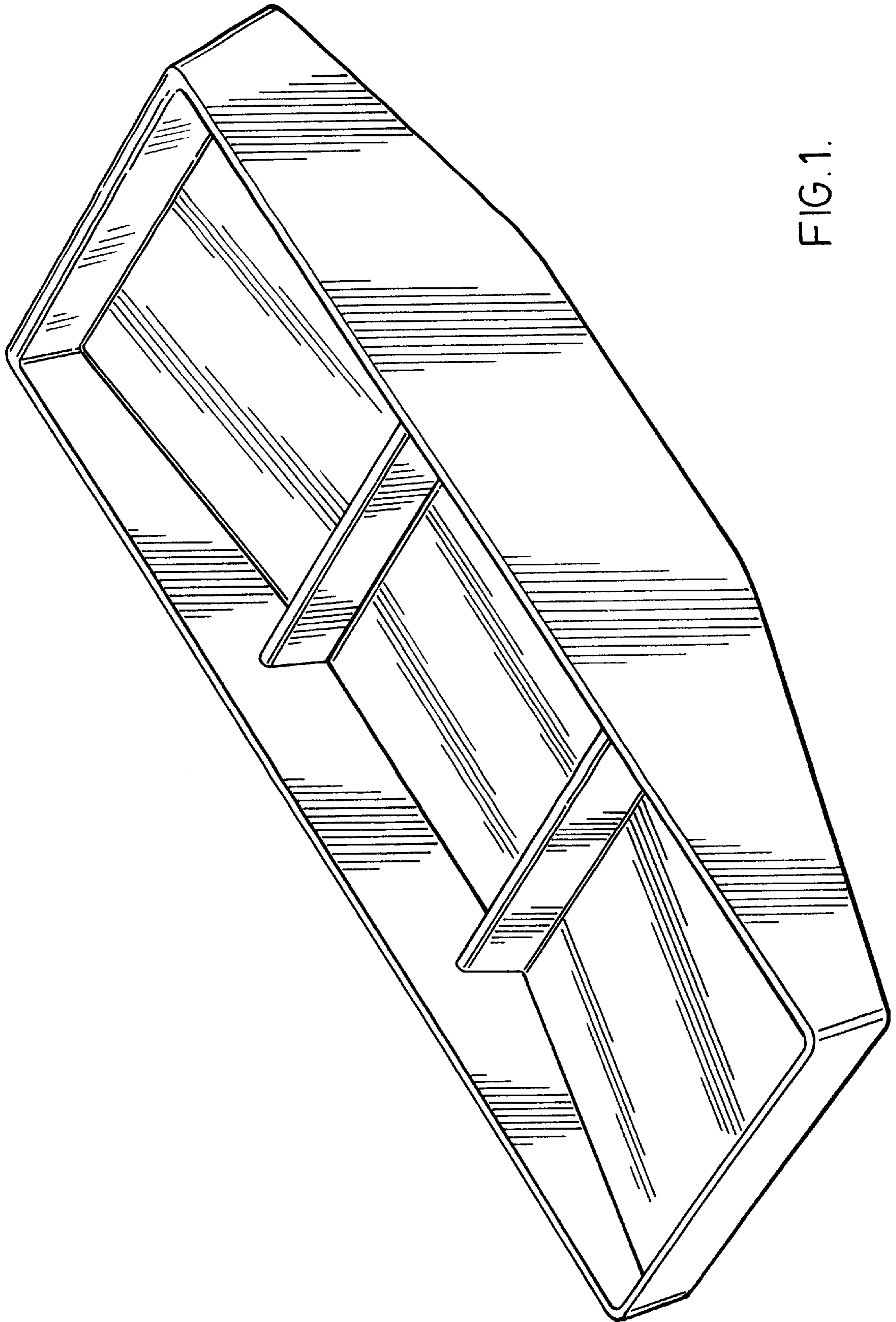


FIG. 1.

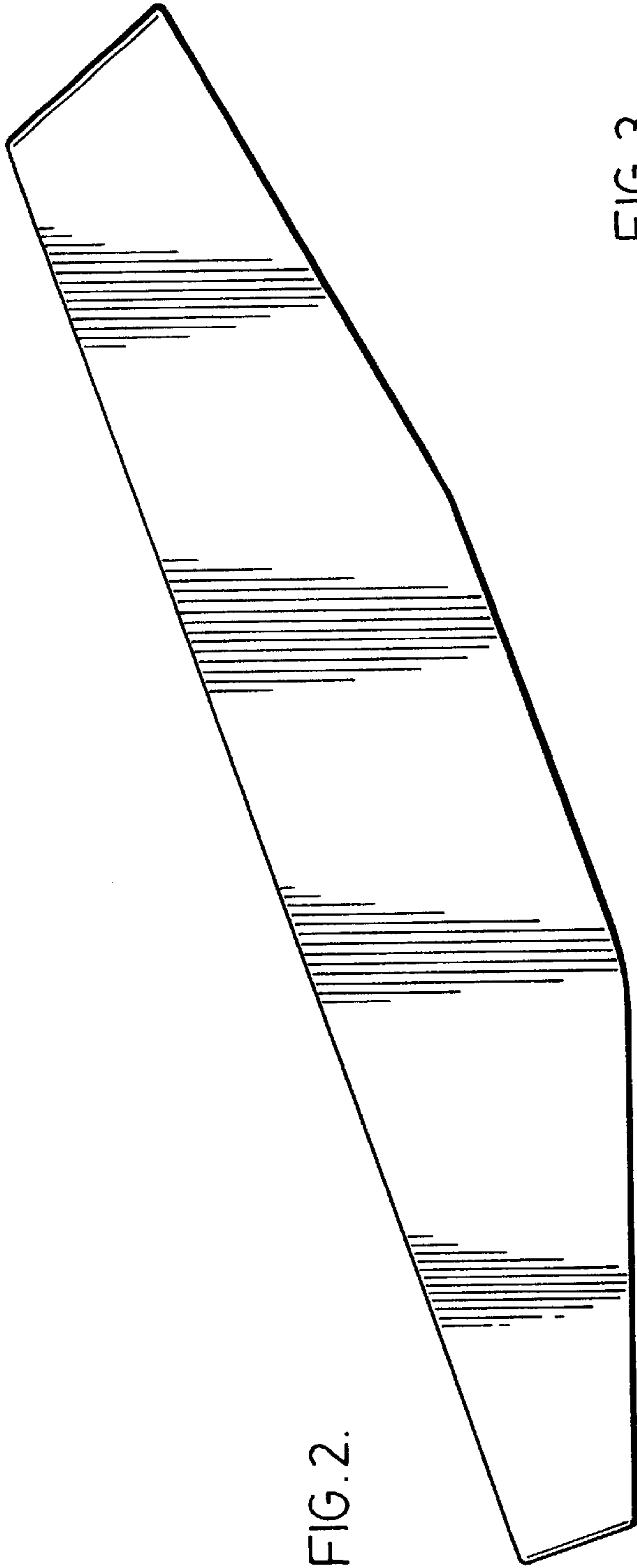
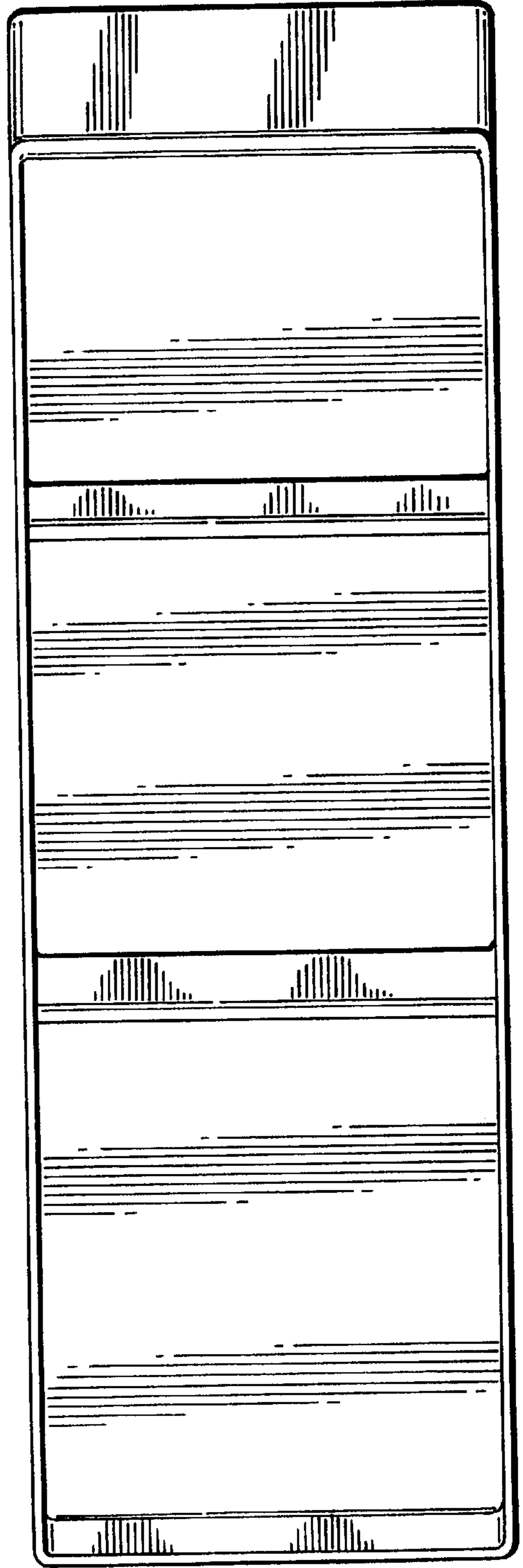


FIG. 2.

FIG. 3.



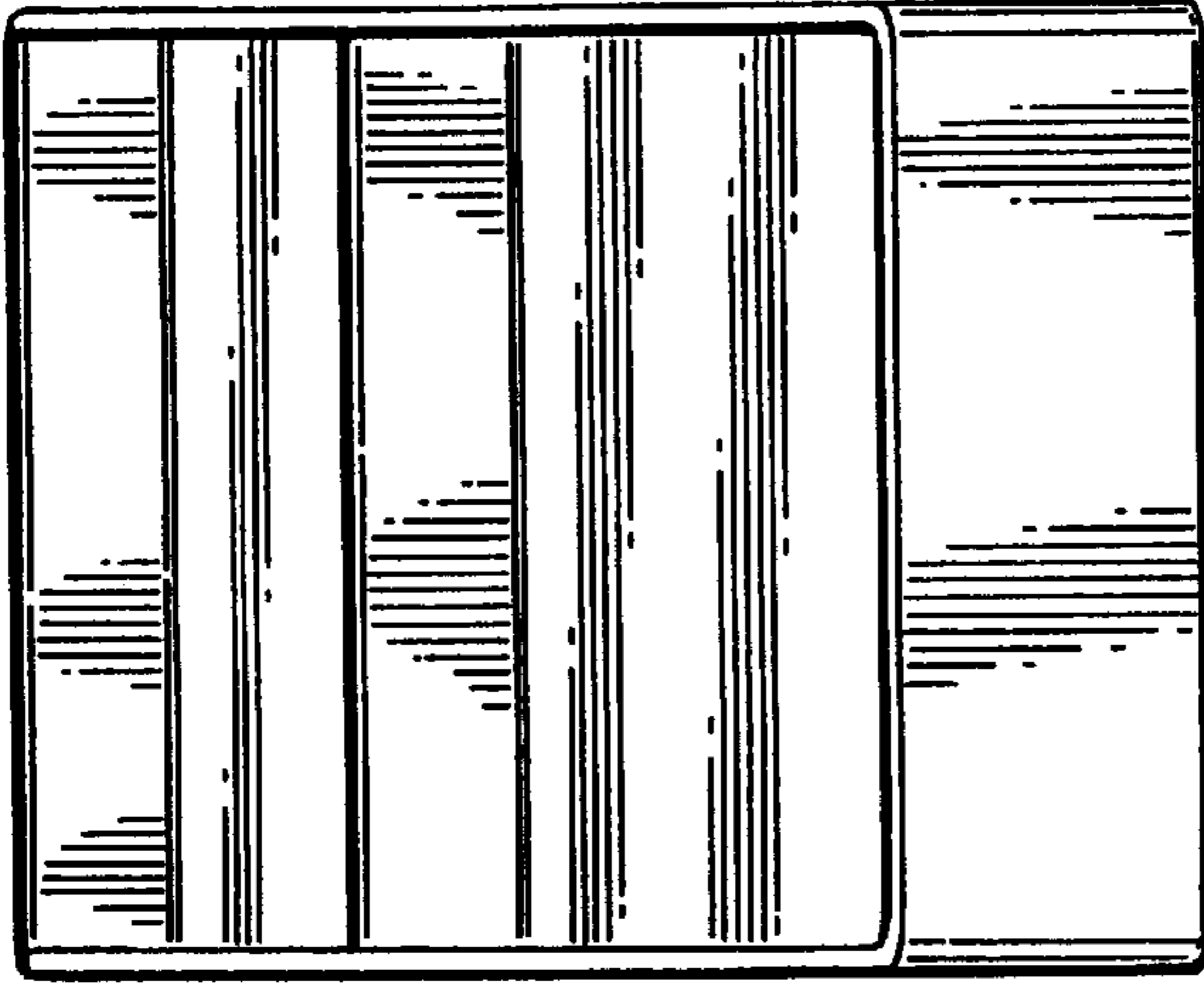


FIG. 5.

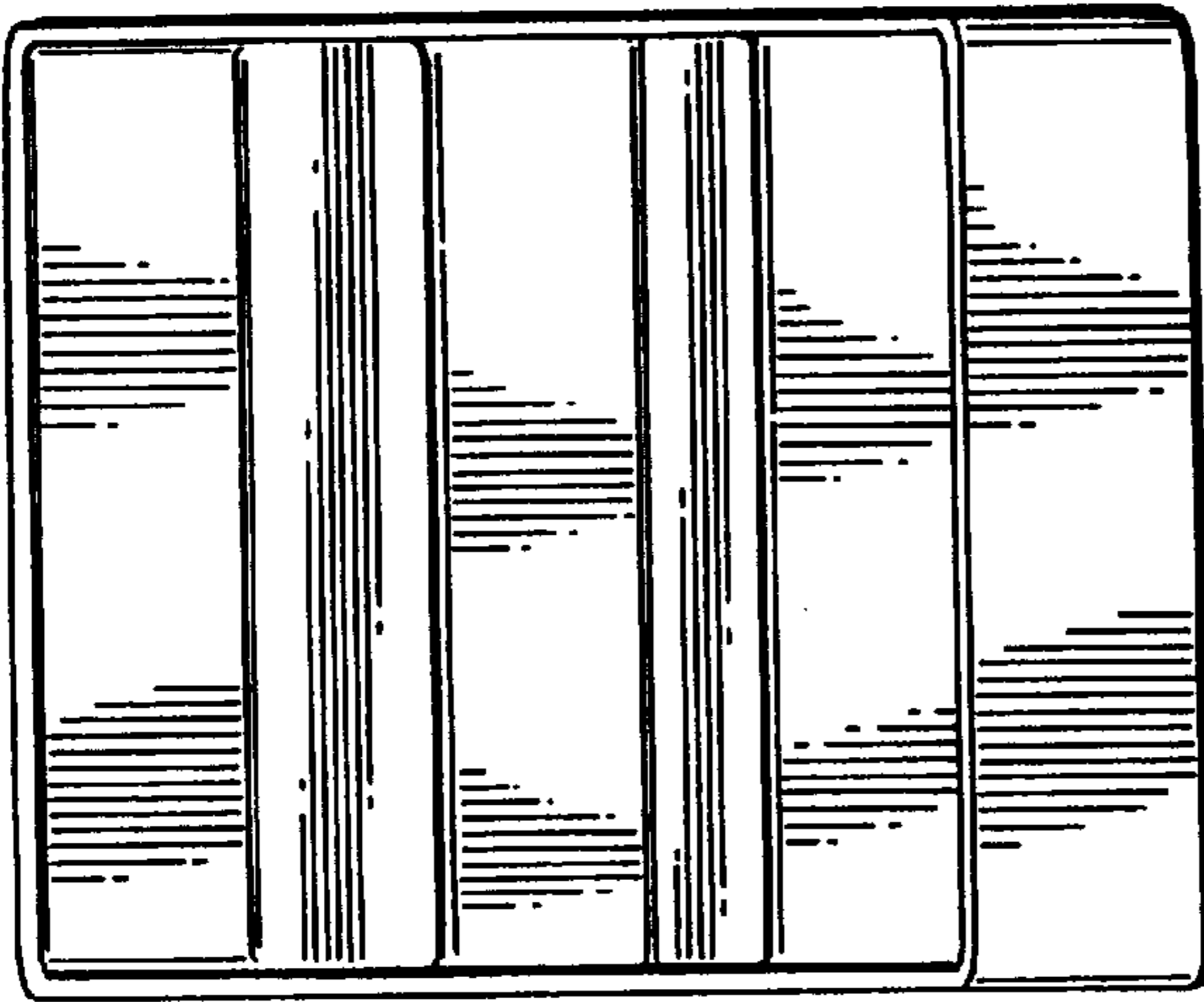


FIG. 4.

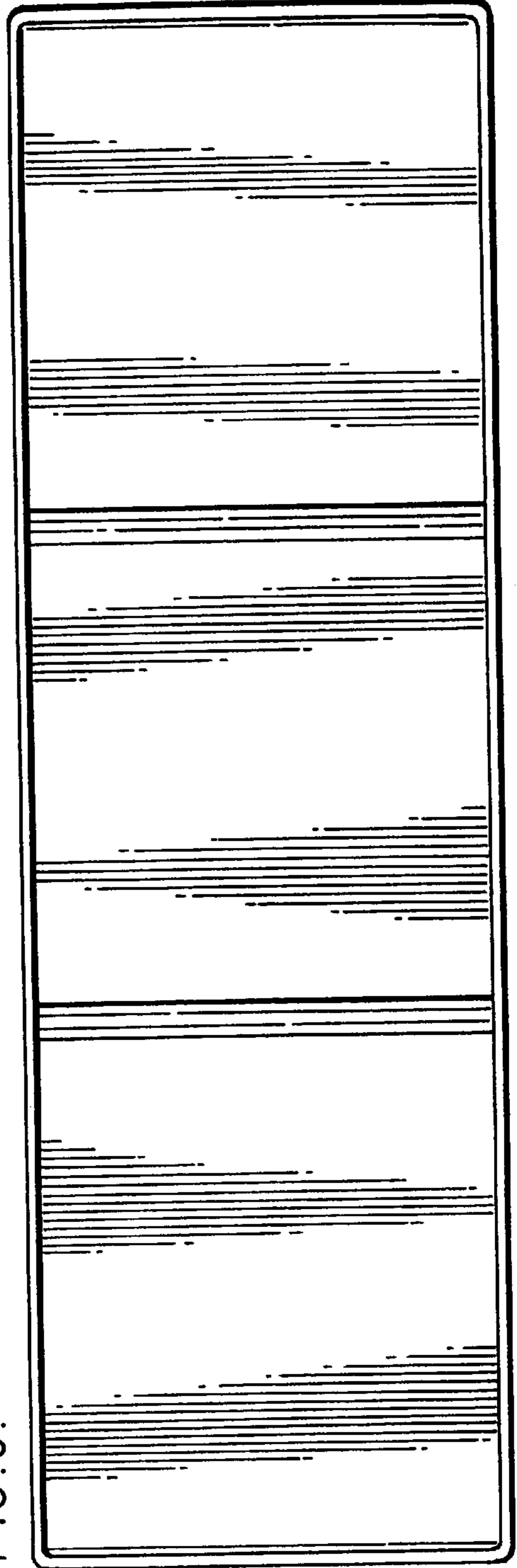


FIG. 6.

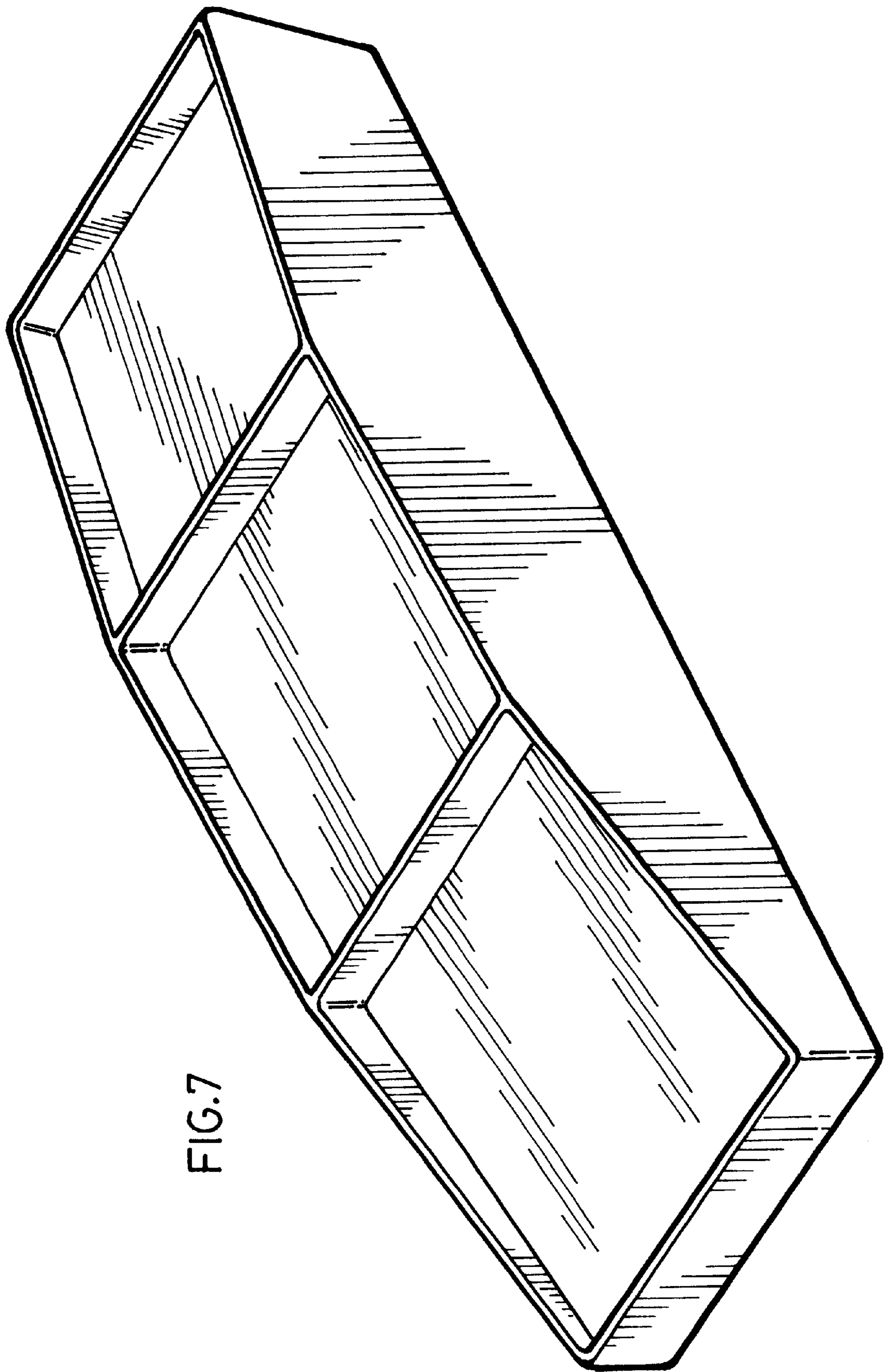


FIG. 7