



US00D453993S

(12) **United States Design Patent**
Diltoer

(10) **Patent No.:** **US D453,993 S**

(45) **Date of Patent:** **** Mar. 5, 2002**

(54) **SPECTACLE-CASE**

(75) **Inventor:** **Jacques Diltoer, Paris (FR)**

(73) **Assignee:** **Cartier International B.V., Amsterdam (NL)**

(**) **Term:** **14 Years**

(21) **Appl. No.:** **29/135,454**

(22) **Filed:** **Jan. 16, 2001**

(30) **Foreign Application Priority Data**

Jul. 17, 2000 (XH) DM/052 508

(51) **LOC (7) Cl.** **03-01**

(52) **U.S. Cl.** **D3/265; D3/263**

(58) **Field of Search** **D3/263-264, 265, D3/266, 219; 206/5, 5.1, 6**

(56) **References Cited**

U.S. PATENT DOCUMENTS

410,798 A *	9/1889	Long	206/5
2,758,707 A *	8/1956	Baratelli	206/5
2,850,151 A *	9/1958	Romolt	206/5
3,144,127 A *	8/1964	Fogel	206/2
3,938,655 A *	2/1976	Romolt	206/5

3,957,099 A *	5/1976	Kery	206/5
5,513,744 A *	5/1996	Yabarra	206/5
D407,556 S *	4/1999	Au	D3/265
D430,727 S *	9/2000	Wisniewski	D3/265

* cited by examiner

Primary Examiner—Celia Murphy

(74) *Attorney, Agent, or Firm*—Oliff & Berridge, PLC

(57) **CLAIM**

The ornamental design for a spectacle-case, as shown and described.

DESCRIPTION

FIG. 1 is a perspective view of a spectacle case showing my new design;

FIG. 2 is a top plan view thereof;

FIG. 3 is a bottom plan view thereof;

FIG. 4 is a left side elevational view thereof, the right side being a mirror image;

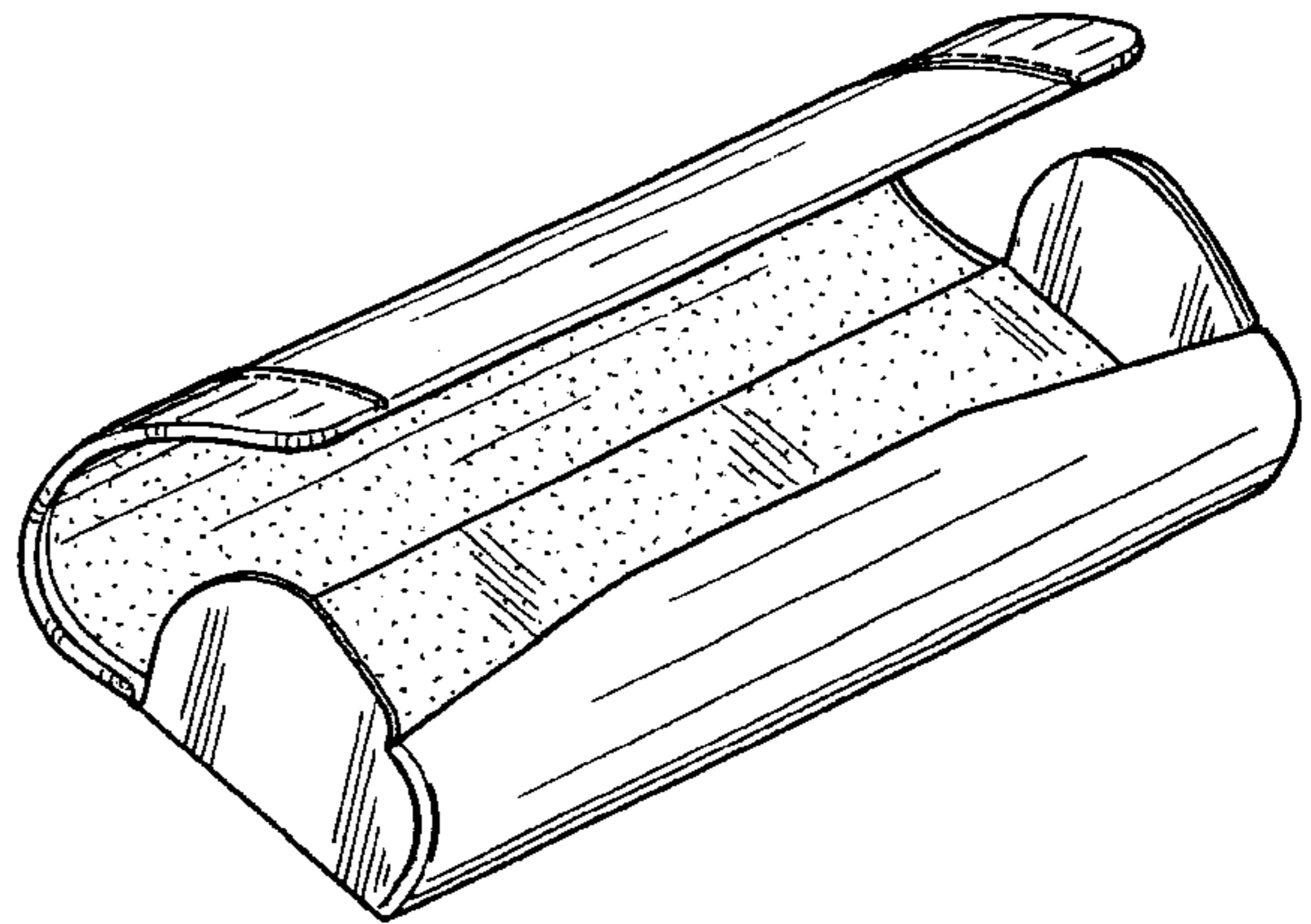
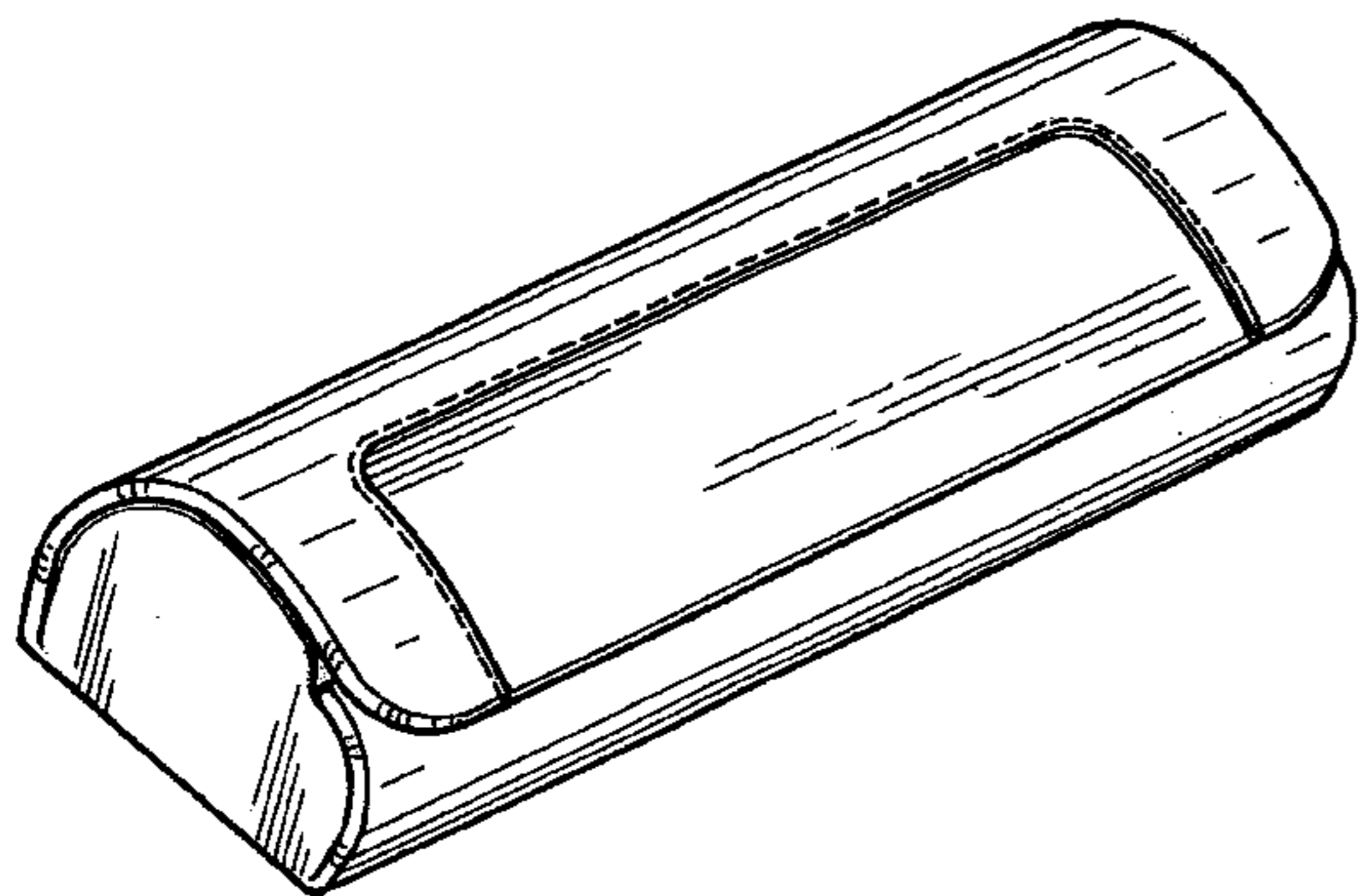
FIG. 5 is a front elevational view thereof;

FIG. 6 is a rear elevational view thereof; and,

FIG. 7 is a perspective view thereof shown in a partially open position.

The broken lines shown in FIGS. 1, 2, 5, 6, and 7 of the views are understood to represent stitching.

1 Claim, 7 Drawing Sheets



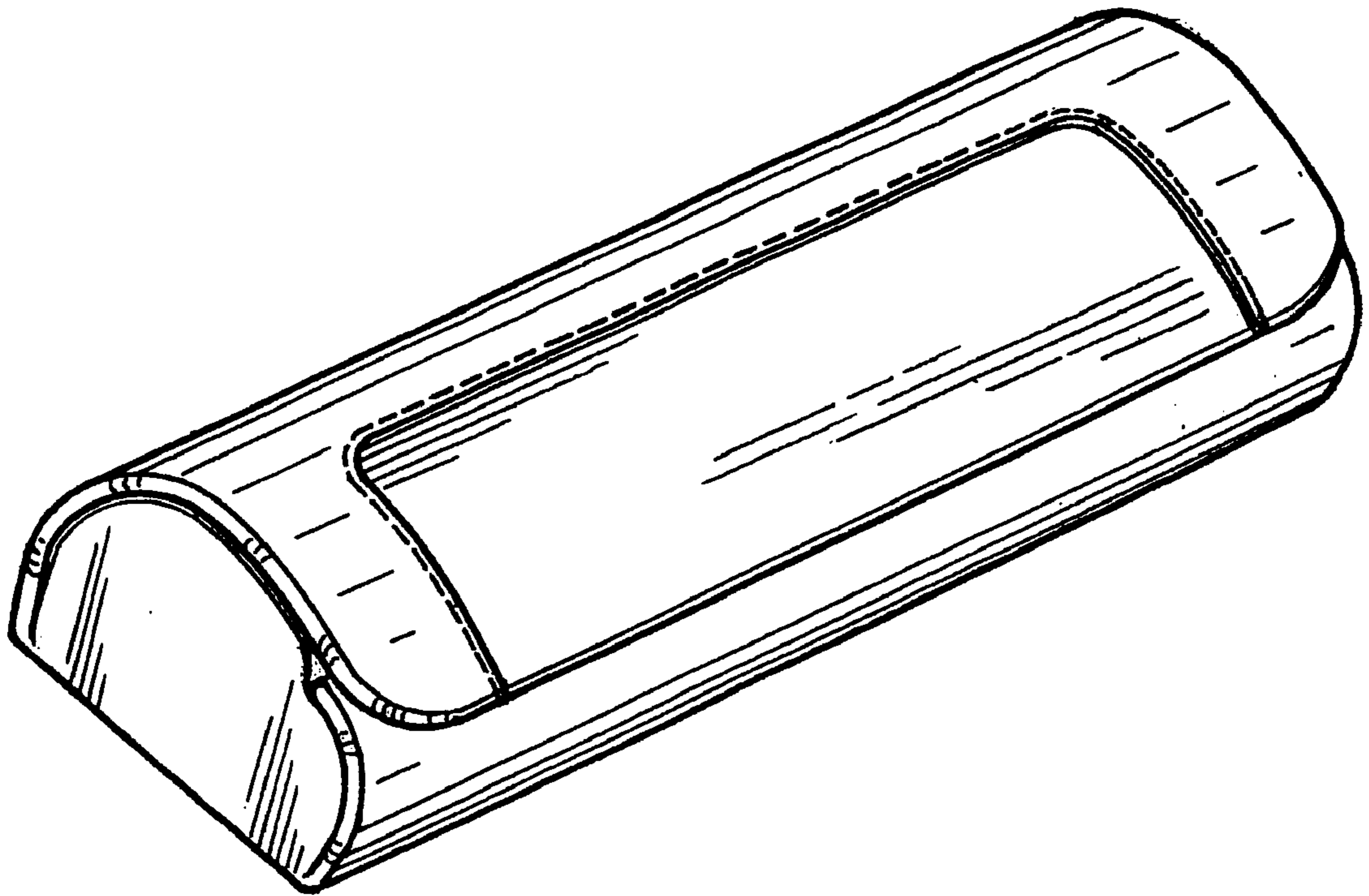


FIG.1

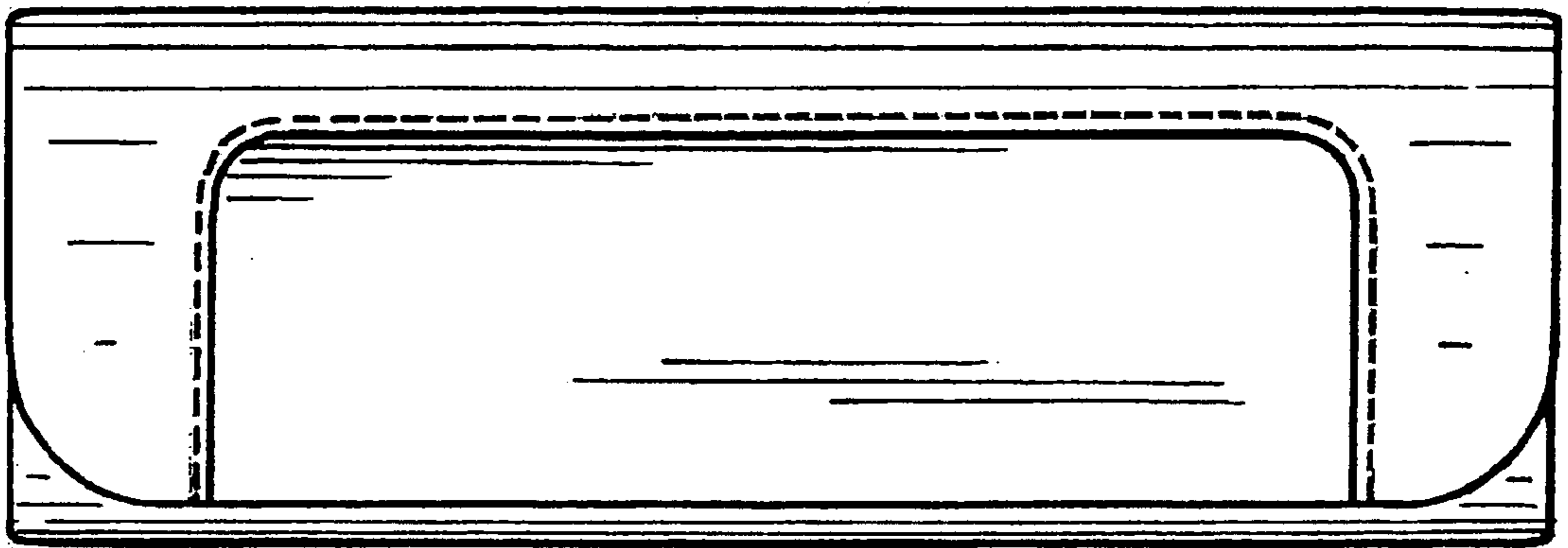


FIG.2

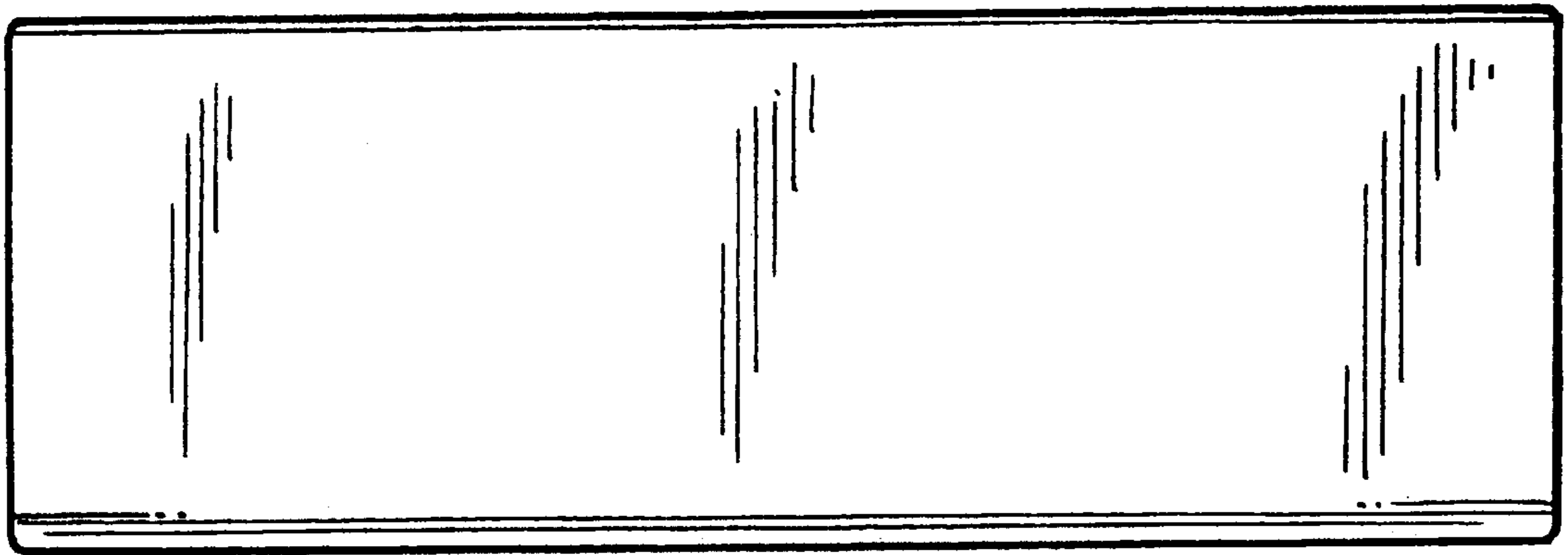


FIG.3

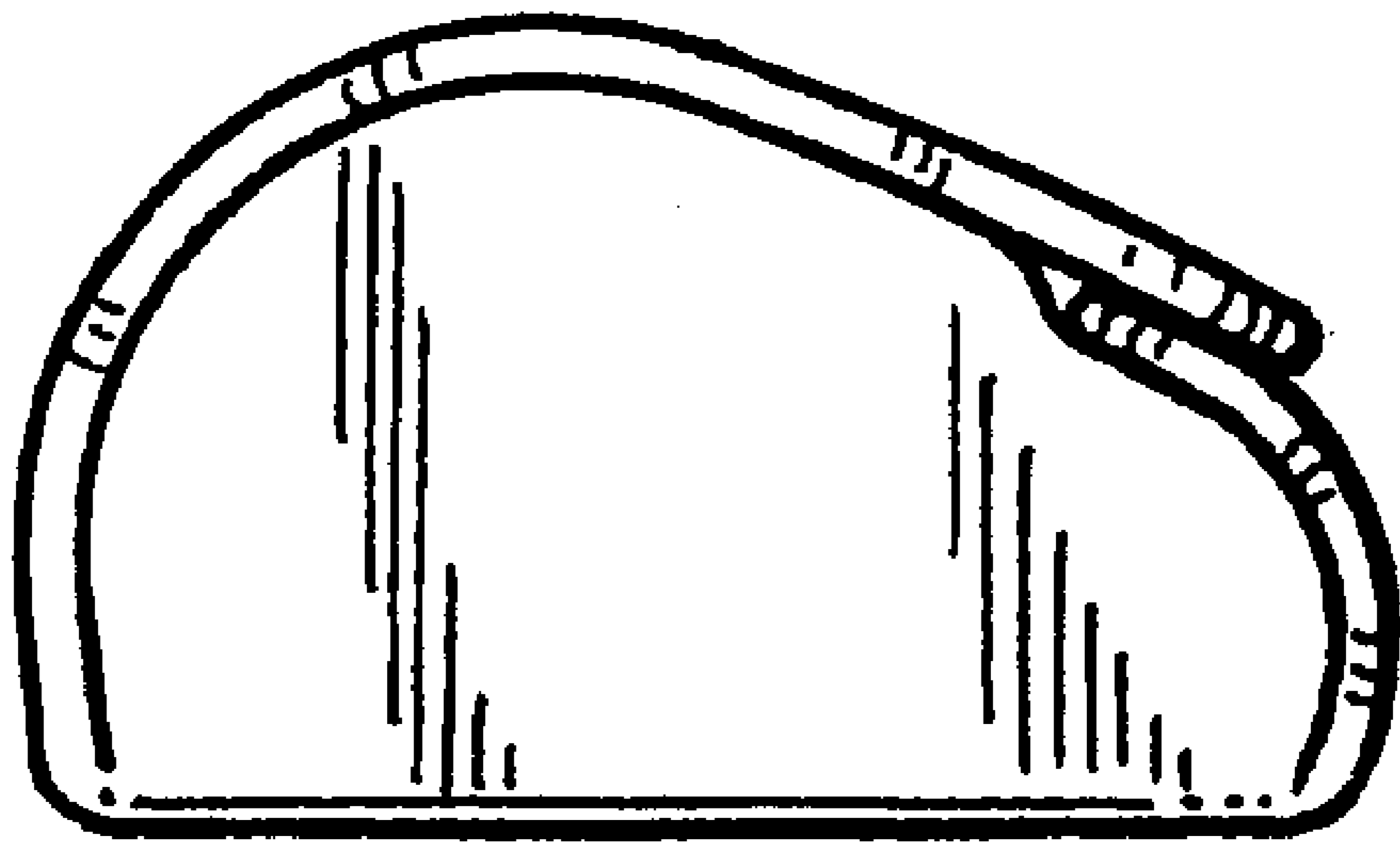


FIG.4

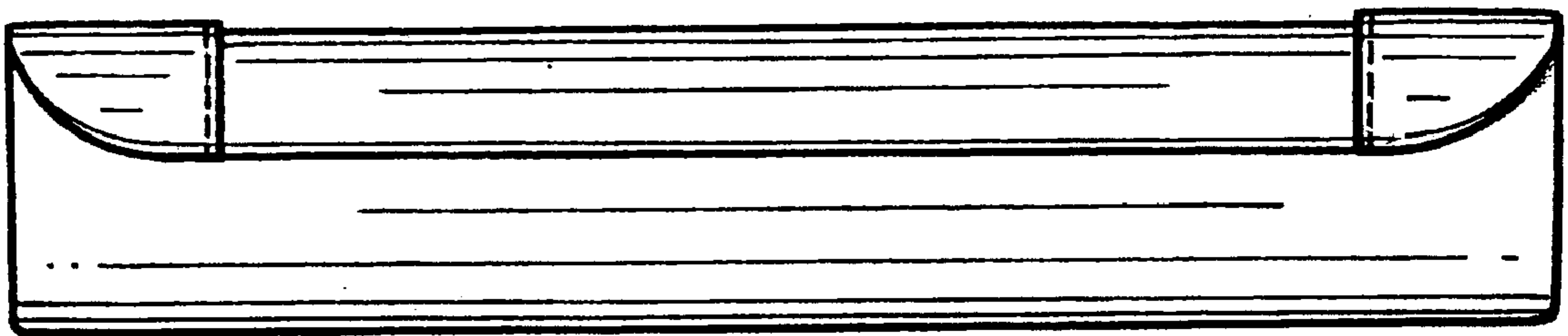


FIG. 5

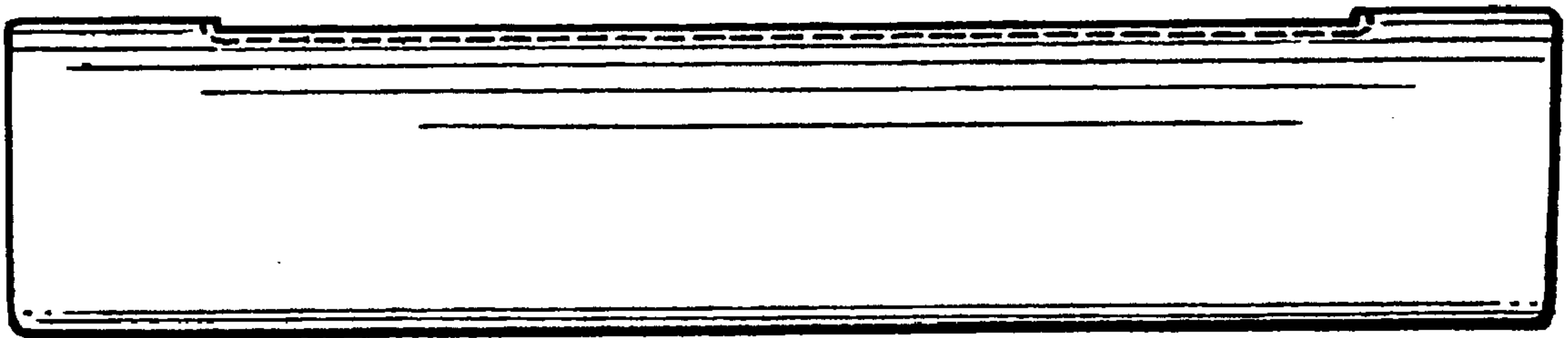


FIG. 6

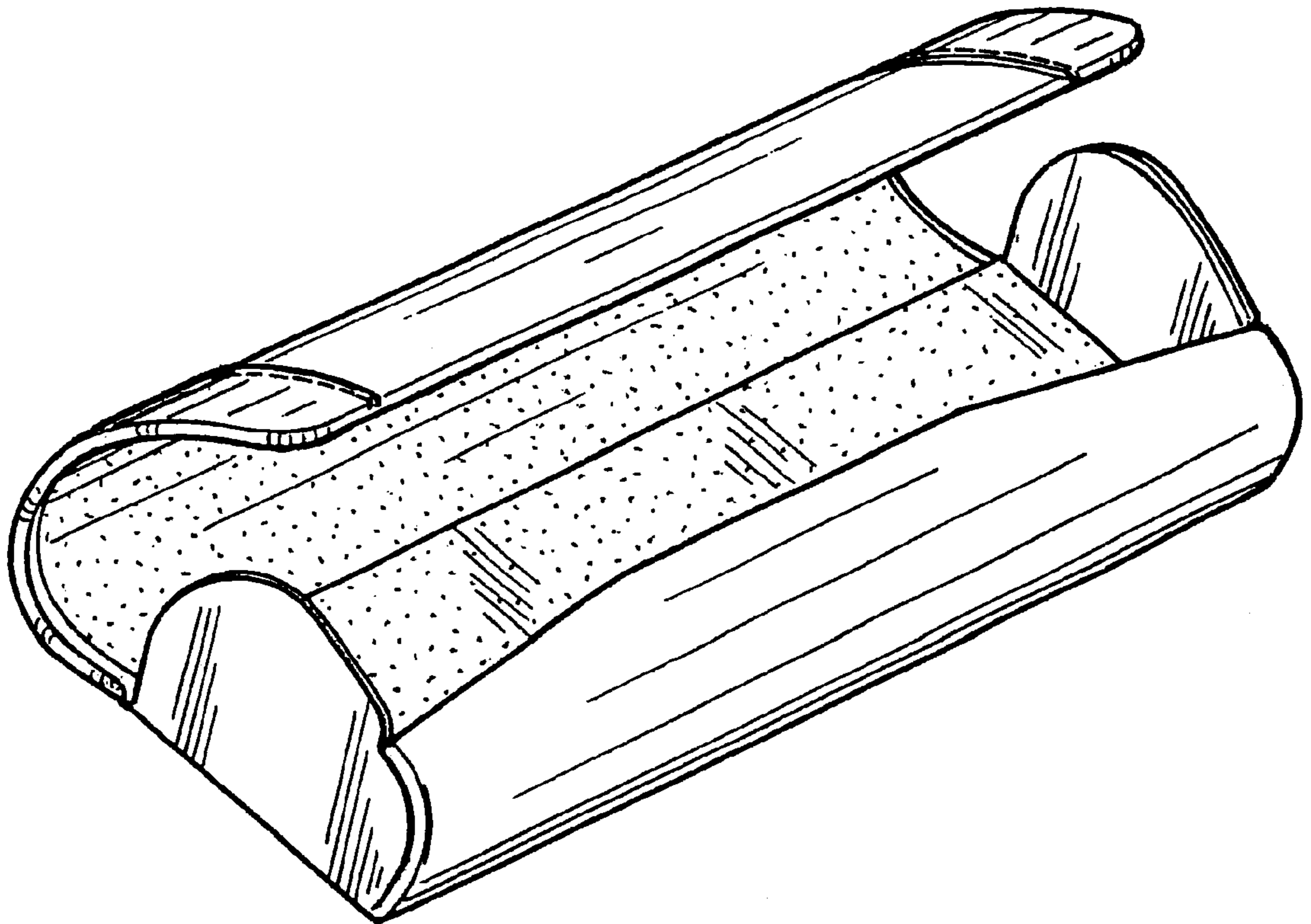


FIG. 7