



US00D453992S

(12) **United States Design Patent**  
**Lamanna**

(10) **Patent No.:** **US D453,992 S**

(45) **Date of Patent:** **\*\* Mar. 5, 2002**

(54) **ROTATIONAL BAYONET RECEIVER**

(75) Inventor: **Robert Lamanna**, Moscow, PA (US)

(73) Assignee: **Gentex Corporation**, Carbondale, PA (US)

(\*\*) Term: **14 Years**

(21) Appl. No.: **29/133,625**

(22) Filed: **Dec. 4, 2000**

(51) **LOC (7) Cl.** ..... **03-01**

(52) **U.S. Cl.** ..... **D3/220**

(58) **Field of Search** ..... D3/220, 222, 223;  
224/232, 251, 197, 581, 271; 211/70.7;  
24/667

(56) **References Cited**

**U.S. PATENT DOCUMENTS**

28,175 A \* 5/1860 Hoffman ..... 224/232  
5,014,892 A \* 5/1991 Copeland ..... 224/271  
5,031,810 A \* 7/1991 Finn et al. .... 224/197

5,217,150 A \* 6/1993 Chen ..... 224/232  
5,375,749 A \* 12/1994 Oliva ..... 224/271  
5,531,365 A \* 7/1996 Donnelly ..... 224/197  
6,059,156 A \* 5/2000 Lehtinen ..... 224/197

\* cited by examiner

*Primary Examiner*—Catherine R. Oliver

(74) *Attorney, Agent, or Firm*—Keusey, Tutunjian & Bitetto

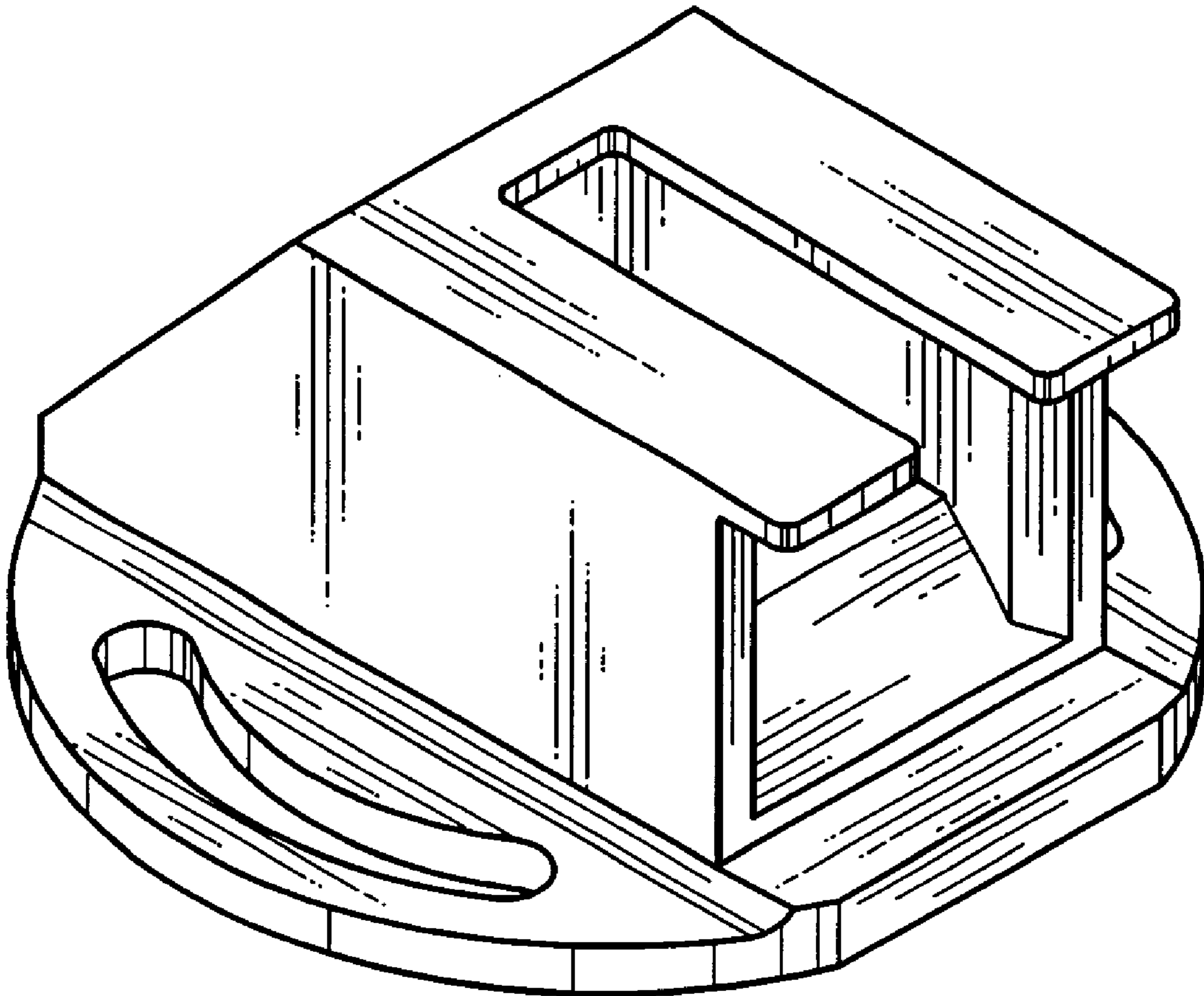
(57) **CLAIM**

The ornamental design for a rotational bayonet receiver, as shown and described.

**DESCRIPTION**

FIG. 1 is a perspective view of the rotational bayonet receiver showing my new design;  
FIG. 2 is a top plan view thereof;  
FIG. 3 is a right view thereof;  
FIG. 4 is left view thereof;  
FIG. 5 is a bottom view thereof; and,  
FIG. 6 is a front view thereof.

**1 Claim, 2 Drawing Sheets**



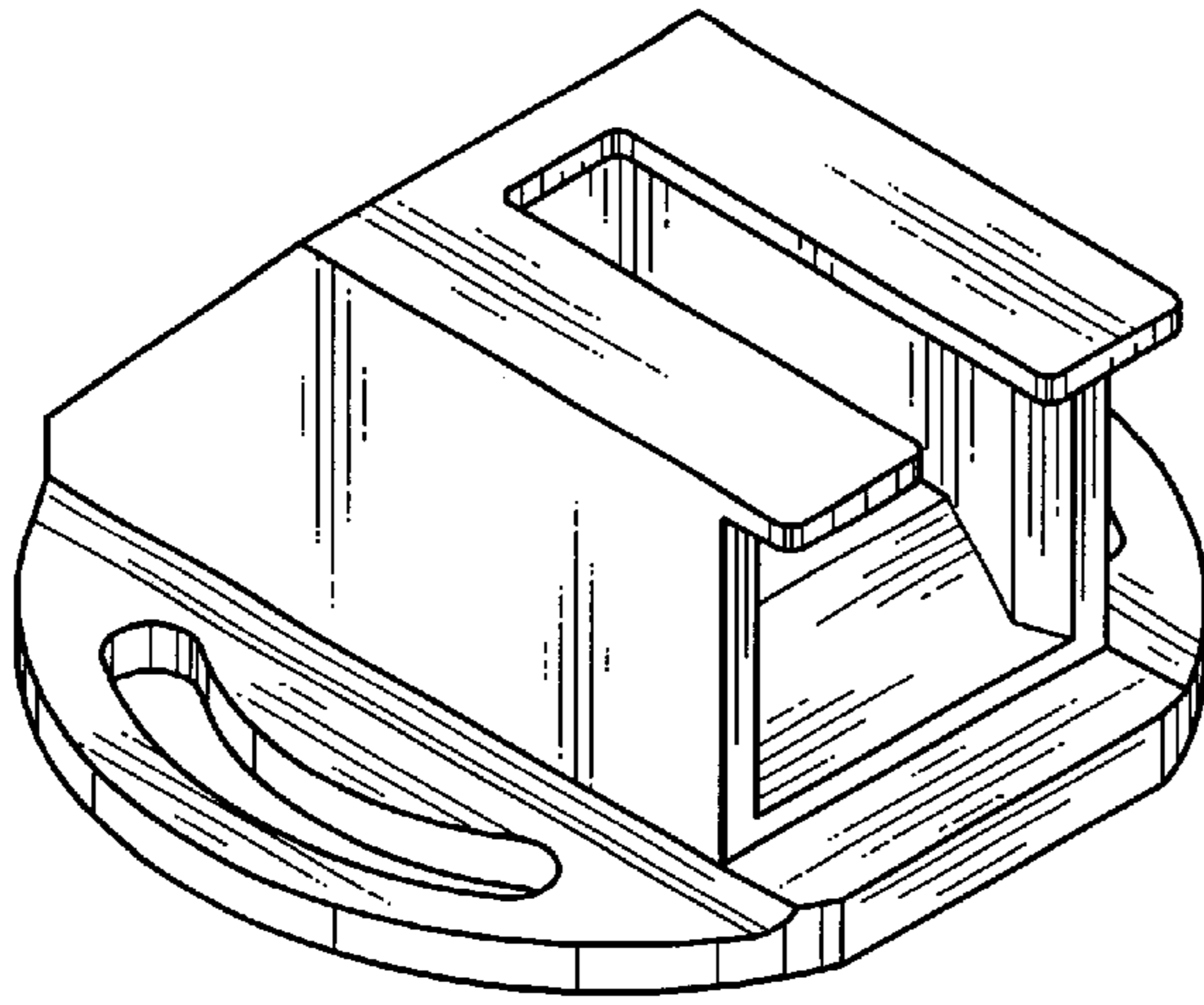


FIG. 1

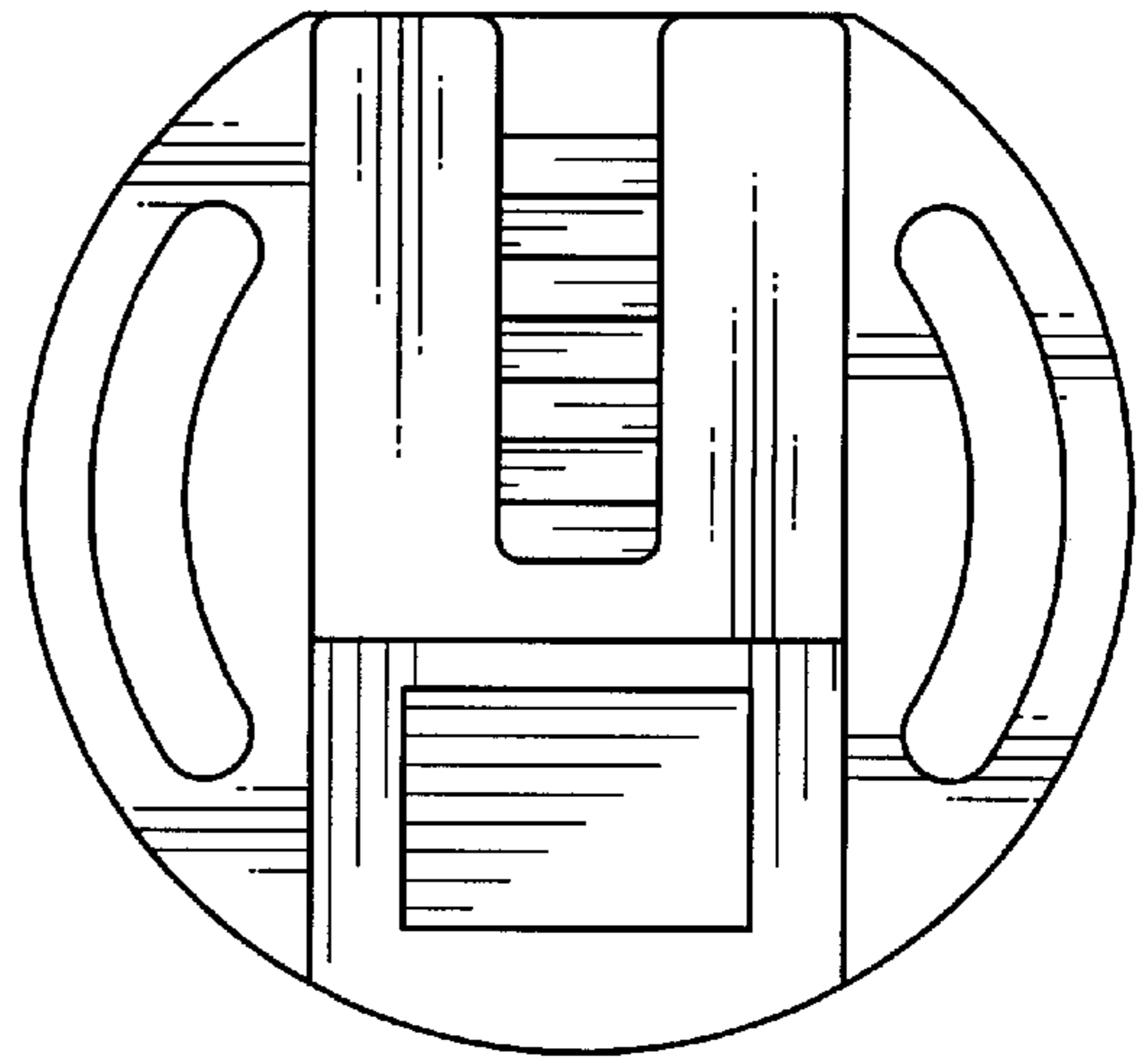


FIG. 2

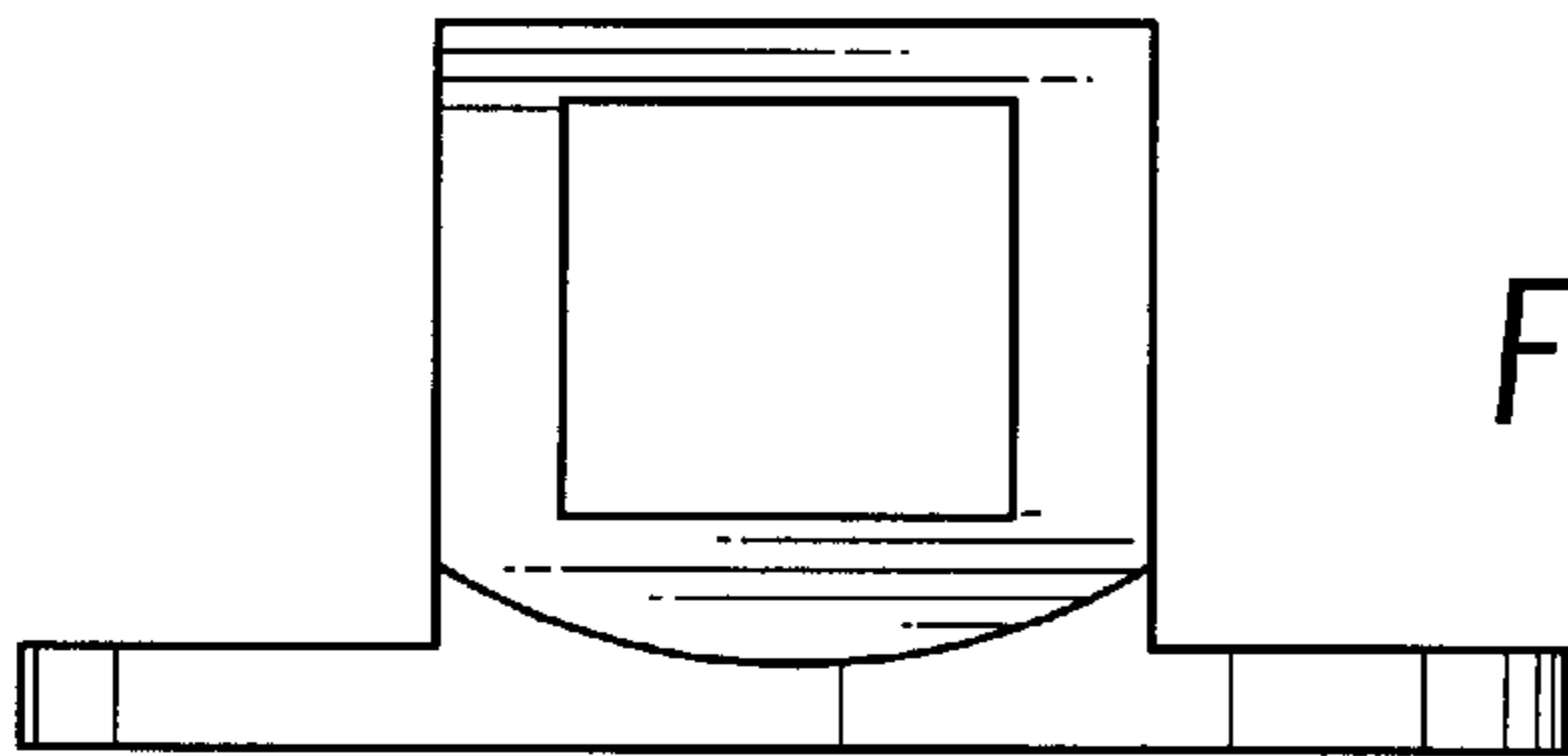


FIG. 3

FIG. 4

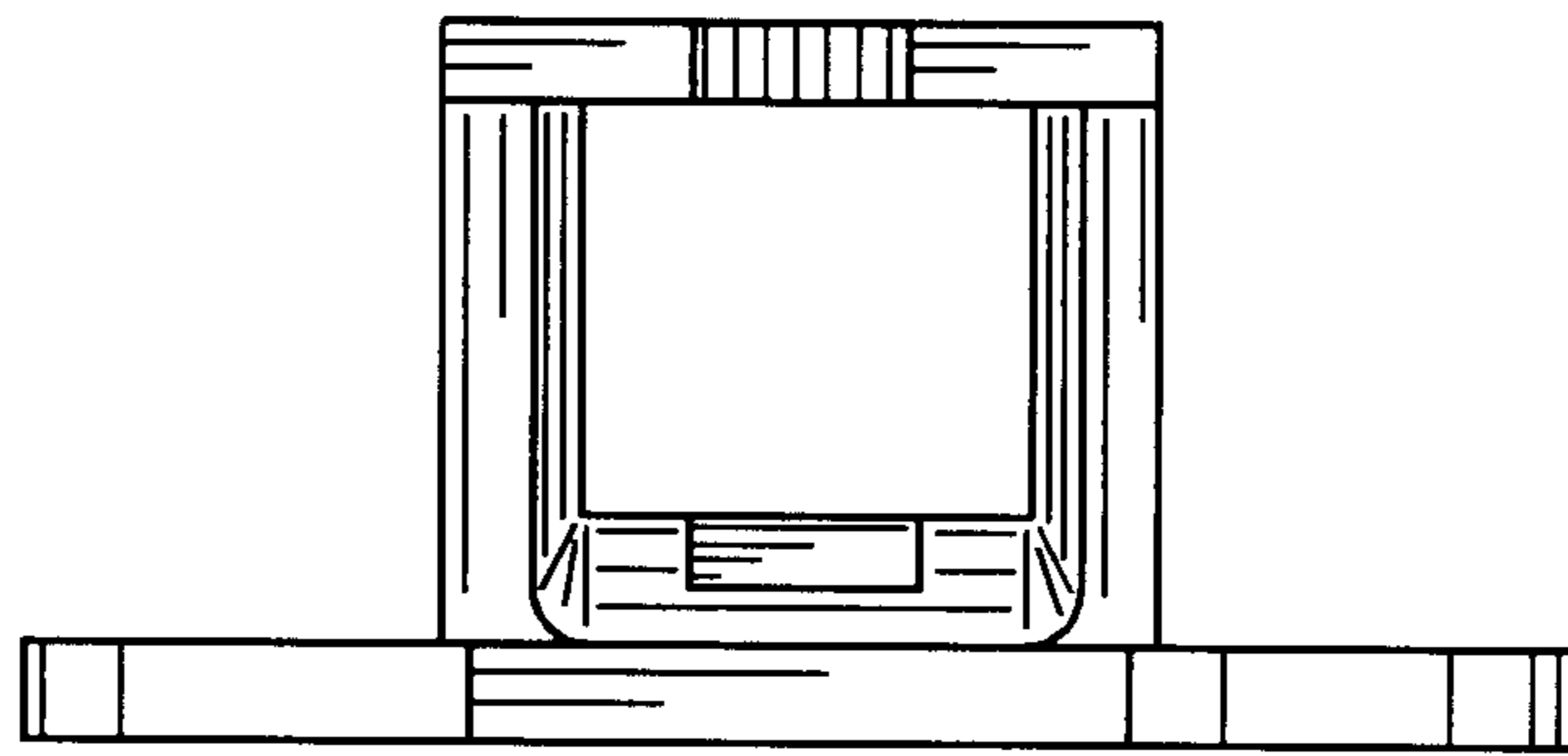


FIG. 5

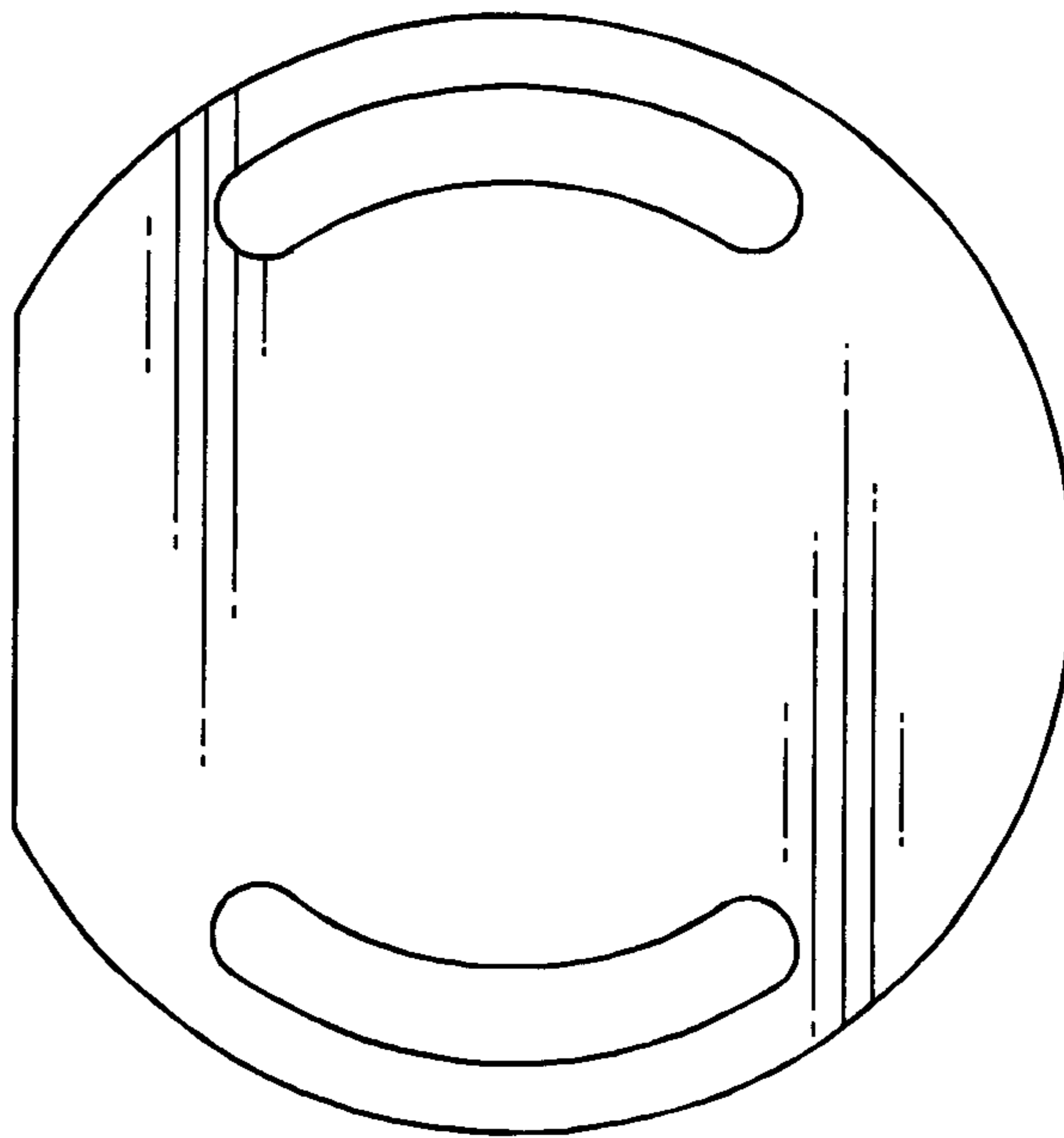
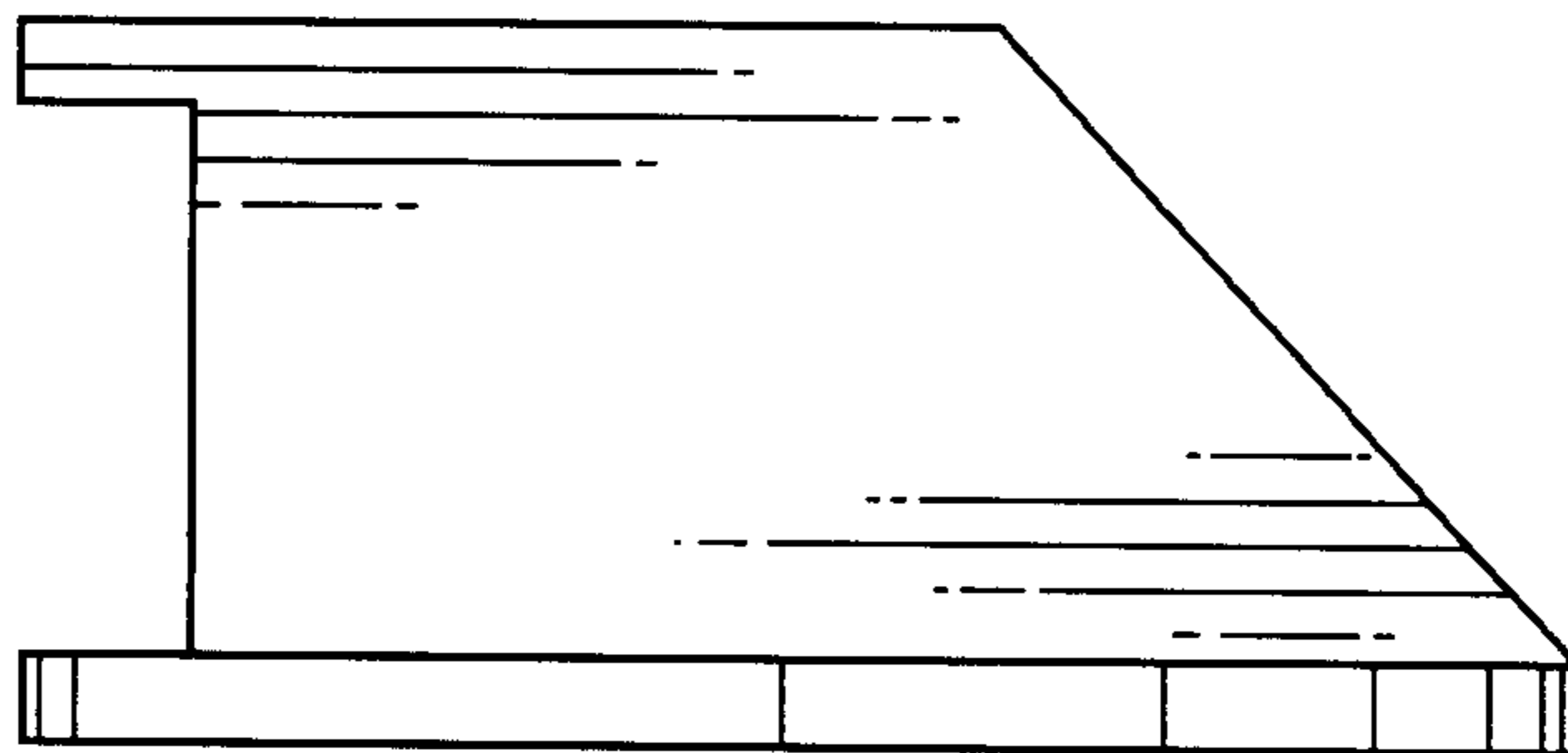


FIG. 6



UNITED STATES PATENT AND TRADEMARK OFFICE  
**CERTIFICATE OF CORRECTION**

PATENT NO. : Des. 453,992 S  
APPLICATION NO. : 29/133625  
DATED : March 5, 2002  
INVENTOR(S) : Robert Lamanna

Page 1 of 1

It is certified that error appears in the above-identified patent and that said Letters Patent is hereby corrected as shown below:

On the first page, after the Title, insert the following:

-- STATEMENT OF GOVERNMENT INTEREST

The U.S. Government has a paid-up license in this invention and the right in limited circumstances to require the patent owner to license others on reasonable terms as provided for by the terms of Contract Number N68335-95-C-0008 awarded by the Naval Air Warfare Center — Aircraft Division. --

Signed and Sealed this

Ninth Day of February, 2010

A handwritten signature in black ink that reads "David J. Kappos". The signature is written in a cursive, flowing style.

David J. Kappos  
*Director of the United States Patent and Trademark Office*