



US00D453987S

(12) **United States Design Patent**
Ray

(10) **Patent No.:** **US D453,987 S**

(45) **Date of Patent:** **** Mar. 5, 2002**

(54) **PAIR OF ANIMAL REPELLING BOOT HARNESSSES**

(76) **Inventor:** **Franklin J. Ray**, 311 E. 8th St., Apt. 1005, Little Rock, AR (US) 72202

(**) **Term:** **14 Years**

(21) **Appl. No.:** **29/136,591**

(22) **Filed:** **Feb. 5, 2001**

(51) **LOC (7) Cl.** **02-04**

(52) **U.S. Cl.** **D2/946; D30/157**

(58) **Field of Search** D2/946, 963, 962, D2/916; D30/157, 151-153; 36/74, 7.6, 136; 54/83.1, 83.2, 1; 119/850, 851, 862, 907, 792

(56) **References Cited**

U.S. PATENT DOCUMENTS

193,342 A *	7/1877	Mills	54/83.2
1,293,349 A *	2/1919	Cotter	36/7.6
2,487,461 A *	11/1949	McKinney	54/83.1
D362,109 S *	9/1995	Jones	D2/962
D406,443 S *	3/1999	Van Dyke	D2/916

* cited by examiner

Primary Examiner—Louis S. Zarfaz

Assistant Examiner—Gregory Andoll

(74) *Attorney, Agent, or Firm*—Stephen D. Carver

(57) **CLAIM**

The ornamental design for a pair of animal repelling boot harnesses, as shown and described.

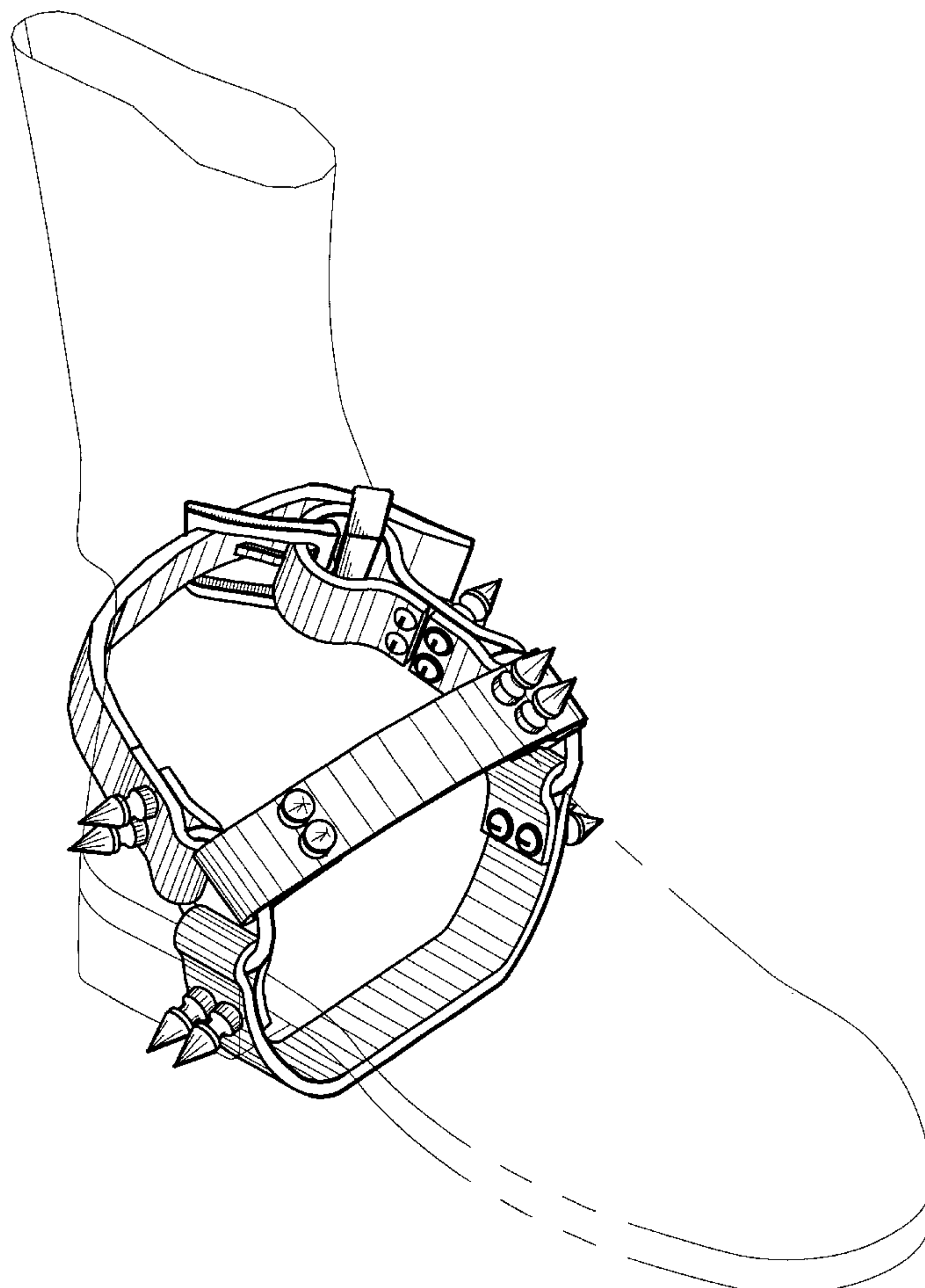
DESCRIPTION

FIG. 1 is an isometric view of the left member of a pair of animal repelling boot harnesses showing my new design; FIG. 2 is a front plan view thereof; FIG. 3 is a right side elevational view thereof; FIG. 4 is a left side view thereof; FIG. 5 is a top perspective view thereof; FIG. 6 is a bottom perspective view thereof; and, FIG. 7 is a rear perspective view thereof.

The right member of the pair of animal repelling boot harnesses is a mirror image of FIGS. 1-7.

The broken line showing of the boot in FIG. 1 is for illustrative purposes and forms no part of the claimed design.

1 Claim, 7 Drawing Sheets



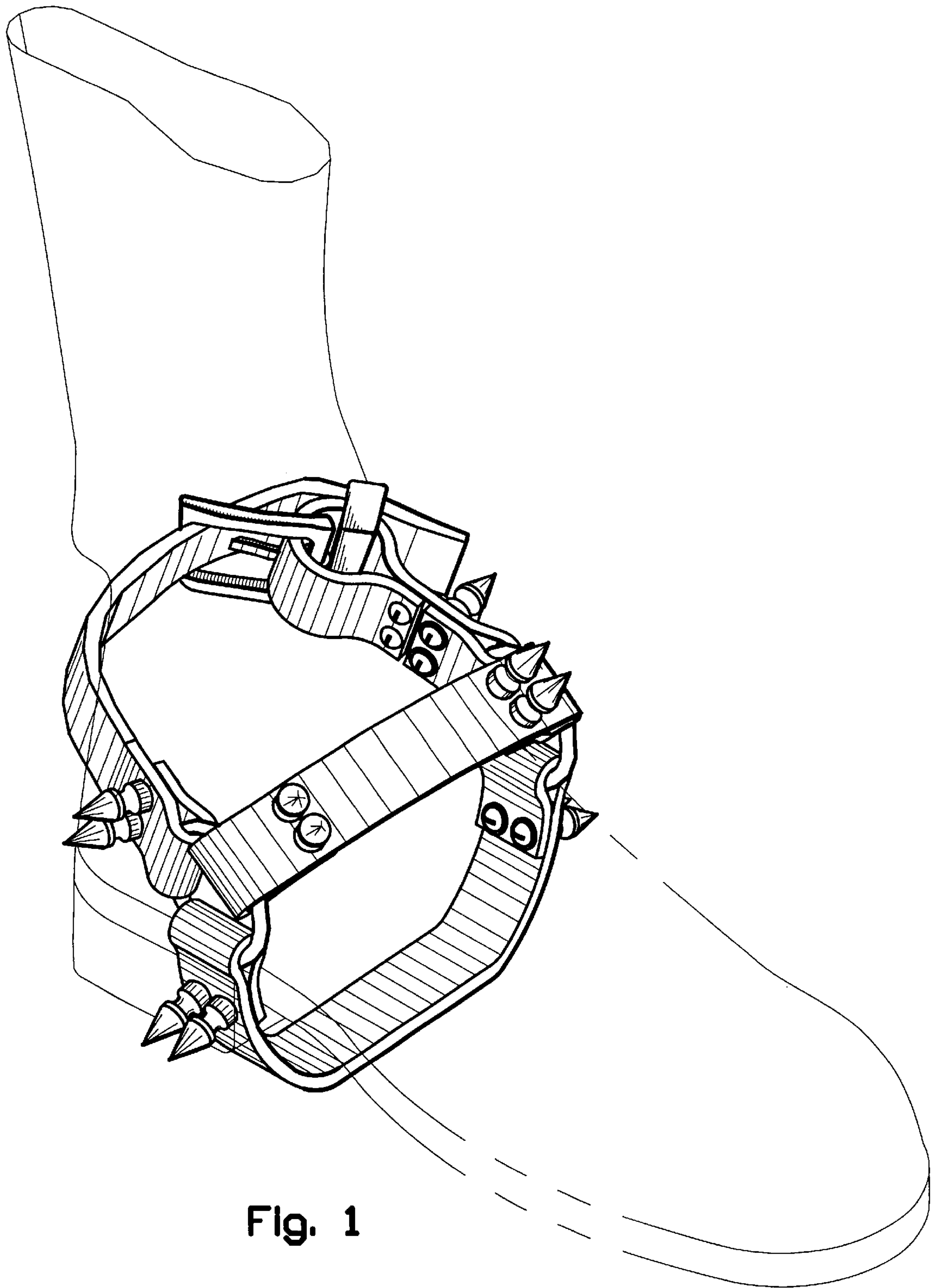


Fig. 1

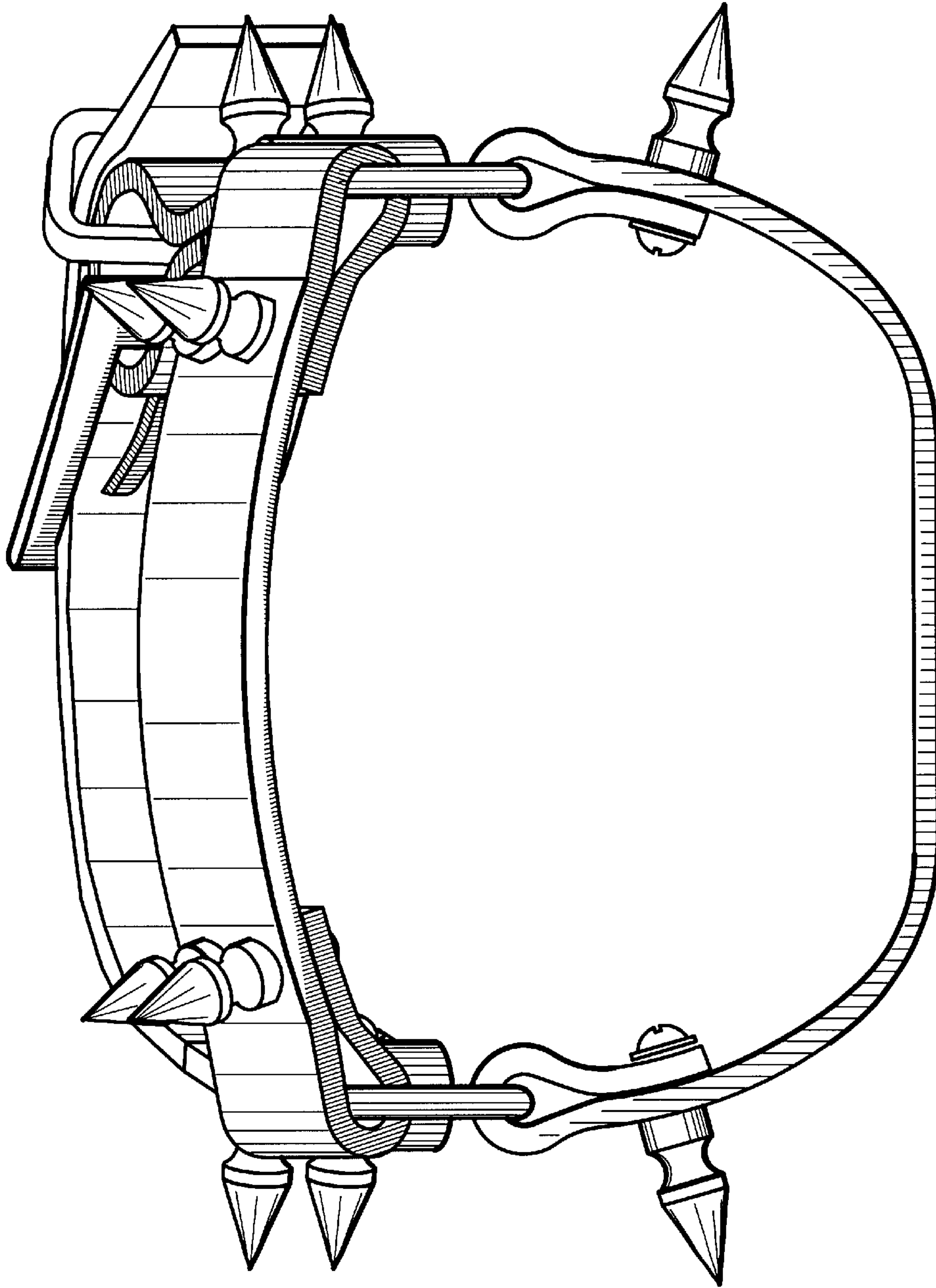


Fig. 2

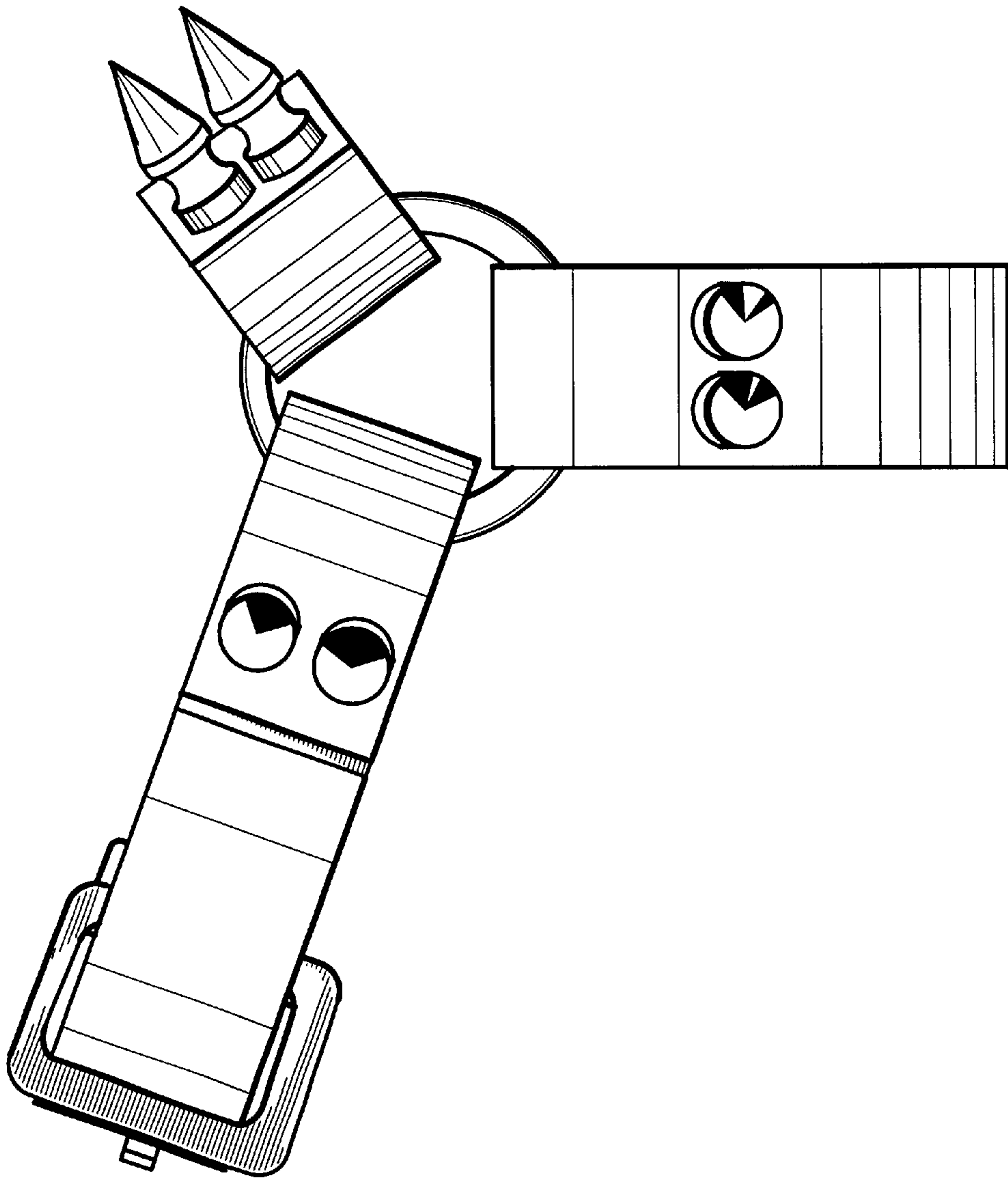


Fig. 3

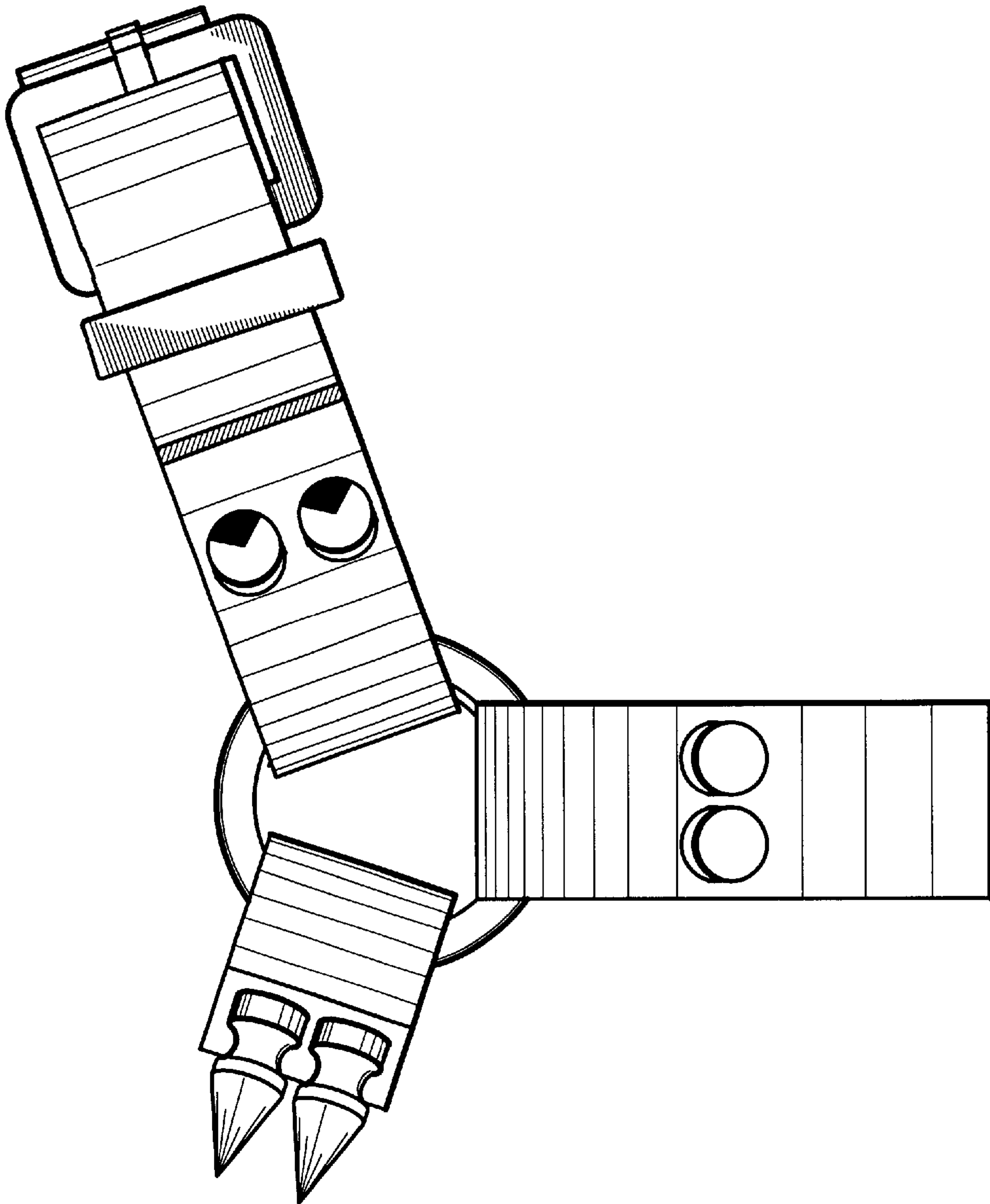


Fig. 4

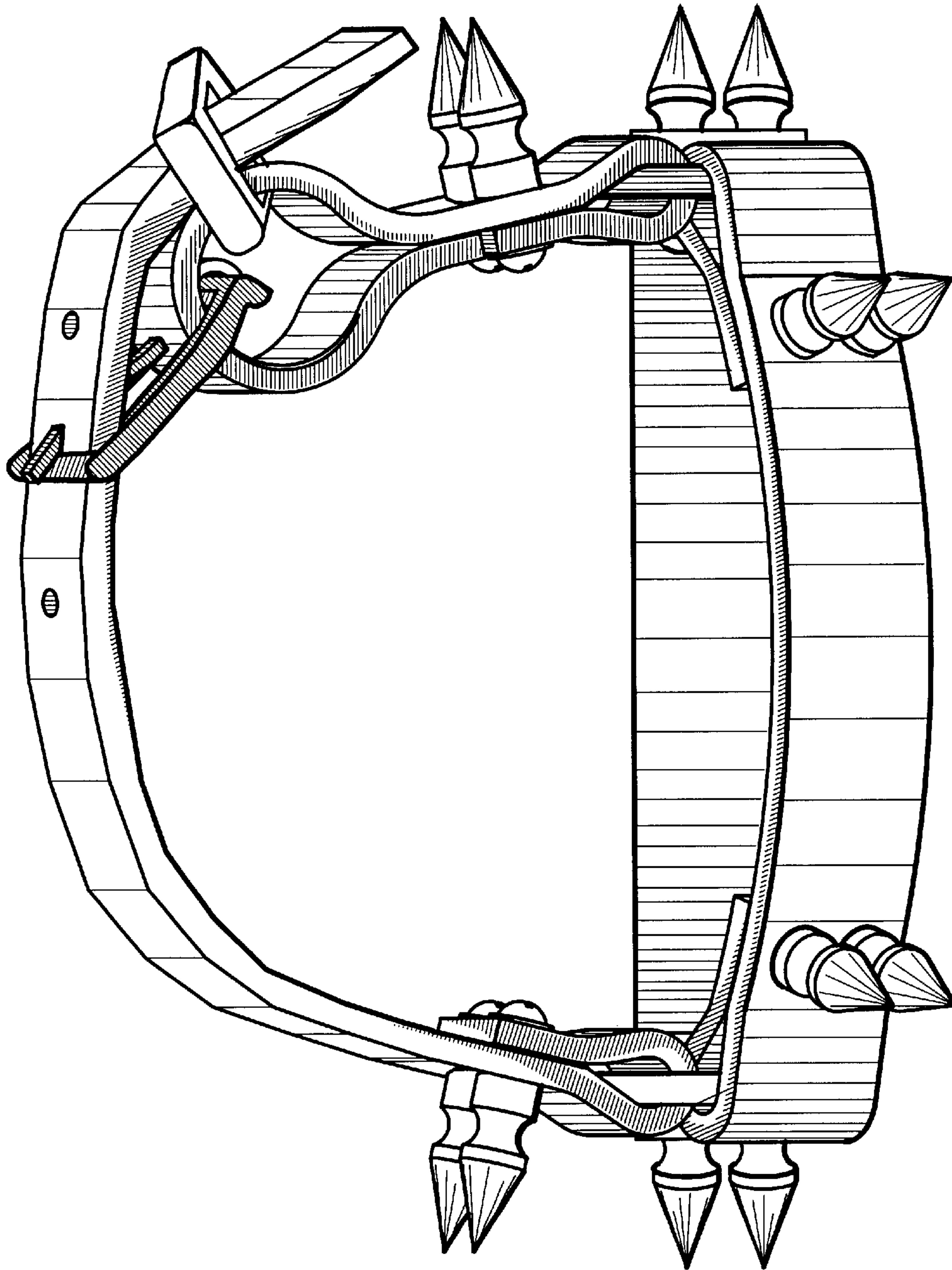


Fig. 5

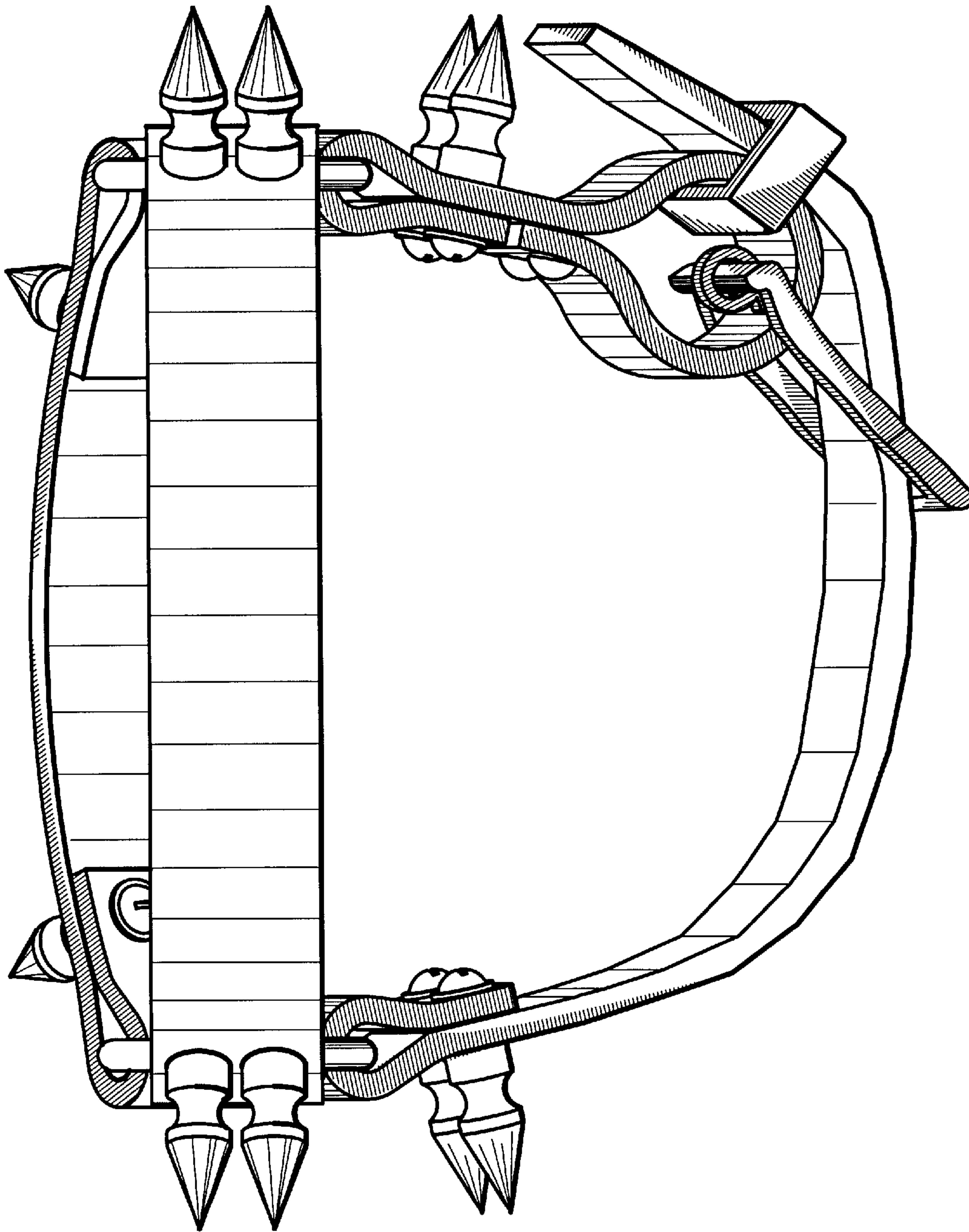


Fig. 6

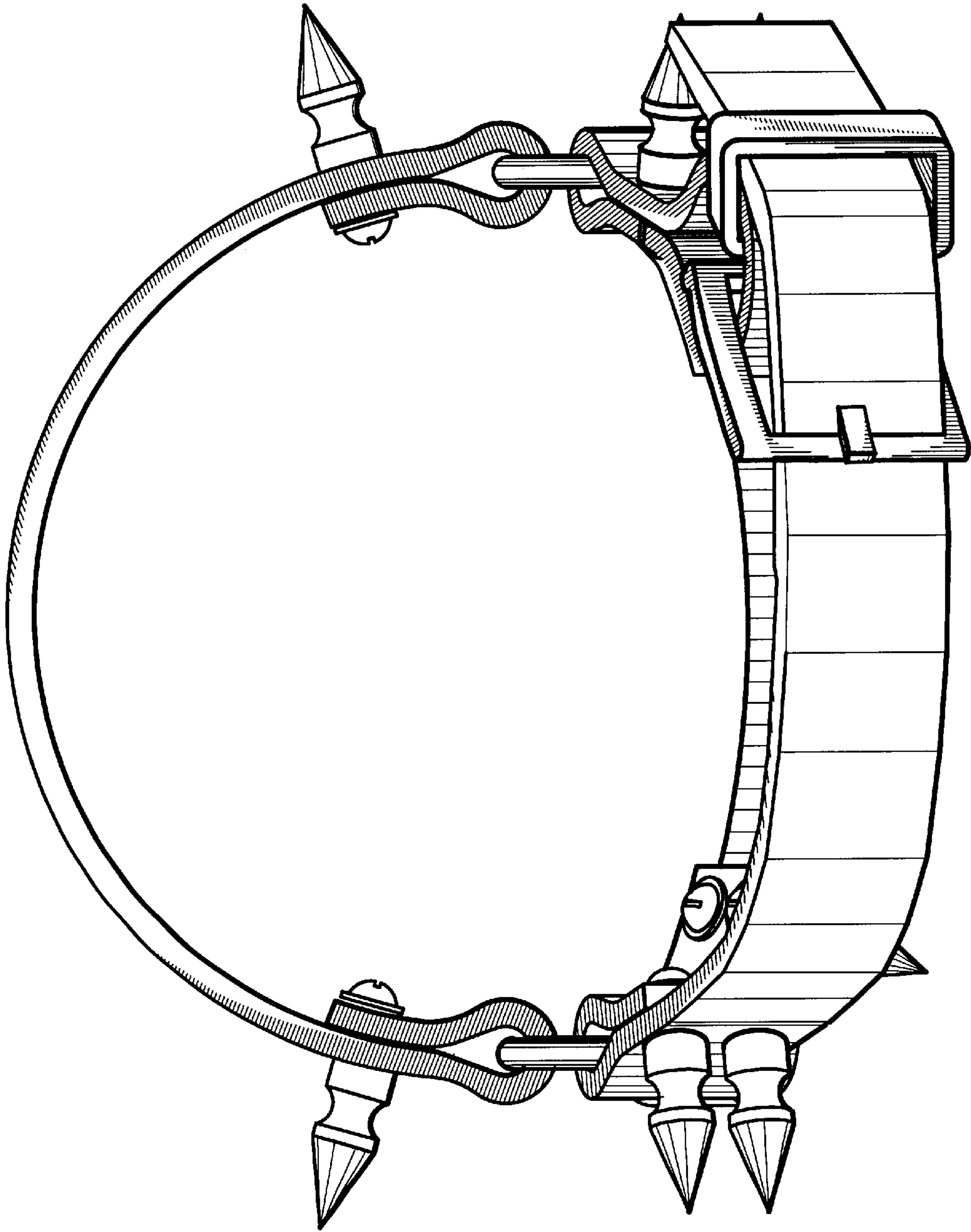


Fig. 7