



US00D453982S

(12) **United States Design Patent**
Levy et al.

(10) **Patent No.:** **US D453,982 S**

(45) **Date of Patent:** **** Feb. 26, 2002**

(54) **COMBINED UTILITY CART AND BAG**

(75) Inventors: **Jordan Levy**, Worcester; **Noah B. Caney**, Westford, both of MA (US)

(73) Assignee: **Parker Metals, Inc.**, Worcester, MA (US)

(**) Term: **14 Years**

(21) Appl. No.: **29/135,337**

(22) Filed: **Jan. 10, 2001**

(51) **LOC (7) Cl.** **12-02**

(52) **U.S. Cl.** **D34/24; D34/26**

(58) **Field of Search** **D34/12-27; 280/655, 280/654, 47.24, 47.26, 653, 47.29, 47.35, 47.27**

(56) **References Cited**

U.S. PATENT DOCUMENTS

D335,738 S	*	5/1993	Tsai	D34/26
D339,442 S	*	9/1993	Holtz	D34/26
D409,346 S	*	5/1999	Hurt	D34/24
D441,935 S	*	5/2001	Cook	D34/24

* cited by examiner

Primary Examiner—Kay H. Chin

(74) *Attorney, Agent, or Firm*—Iandiorio & Teska

(57) **CLAIM**

The ornamental design for a combined utility cart and bag, as shown and described.

DESCRIPTION

FIG. 1 is a front perspective view of the utility cart with the support bar in the upright position, the bag has been omitted in order to show the cart more clearly;

FIG. 2 is a front and right side perspective view of FIG. 1;

FIG. 3 is a front and right side perspective view of the combined utility cart and bag;

FIG. 4 is a front perspective view of FIG. 3;

FIG. 5 is a rear perspective view of FIG. 1;

FIG. 6 is a rear perspective view of FIG. 3;

FIG. 7 is a rear view of FIG. 1;

FIG. 8 is a rear view of FIG. 3;

FIG. 9 is a right side perspective view of FIG. 1 with the support arm in the upright position;

FIG. 10 is a left side perspective view of FIG. 3;

FIG. 11 is a top perspective view of FIG. 1;

FIG. 12 is a top perspective view of FIG. 3;

FIG. 13 is a top, rear and right side perspective view of FIG. 3;

FIG. 14 is a top and rear perspective view of FIG. 3;

FIG. 15 is a bottom perspective view of FIG. 1; and,

FIG. 16 is a bottom perspective view of FIG. 3.

1 Claim, 16 Drawing Sheets

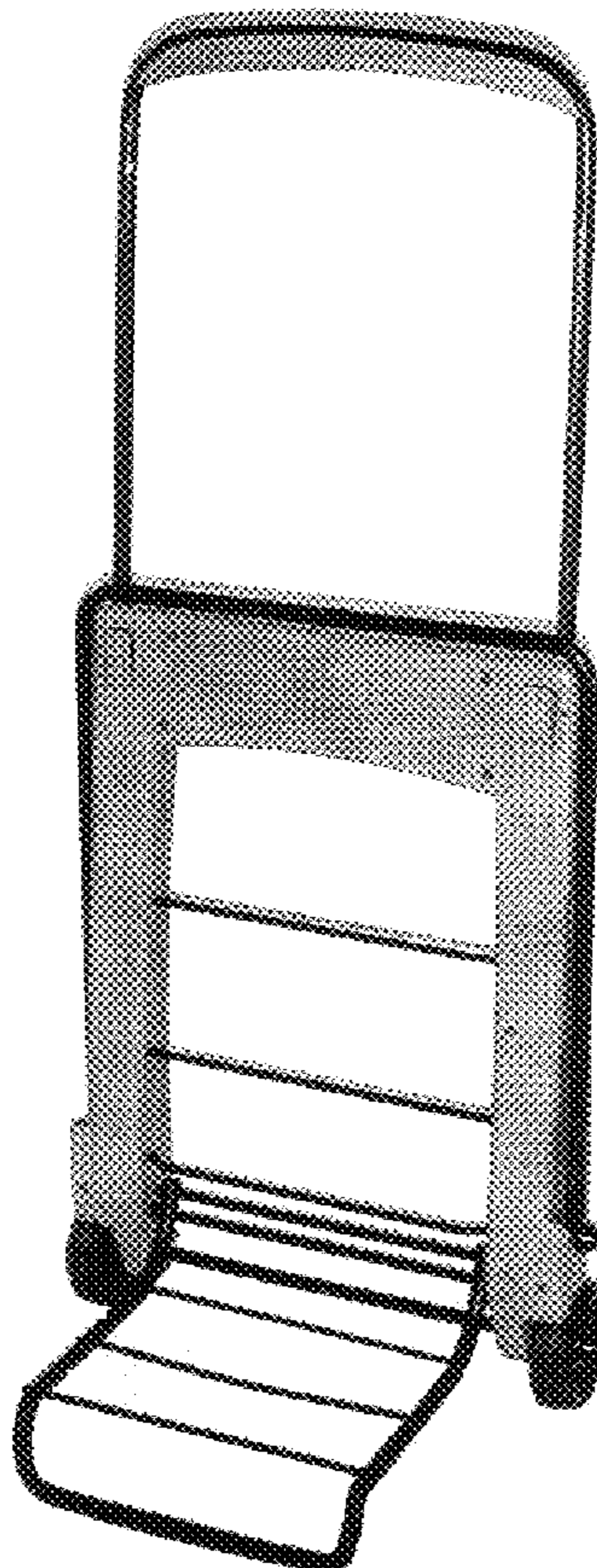


Fig. 1

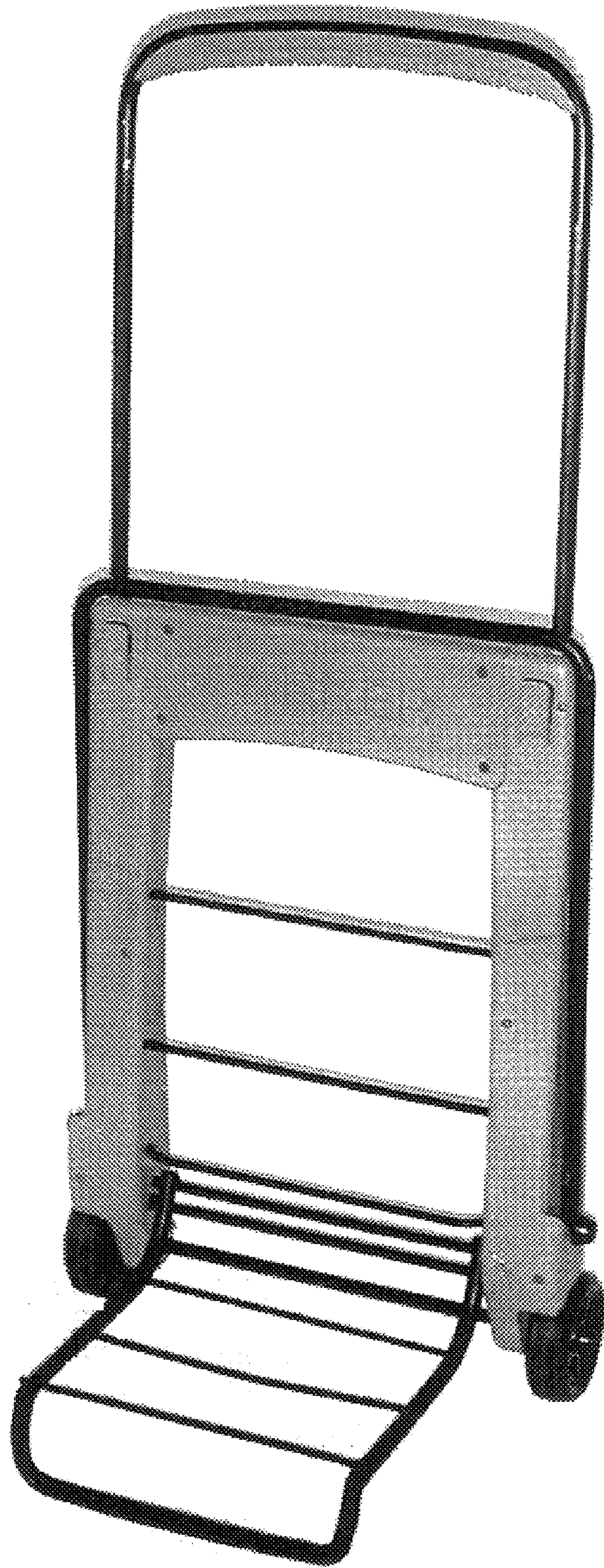


Fig. 2

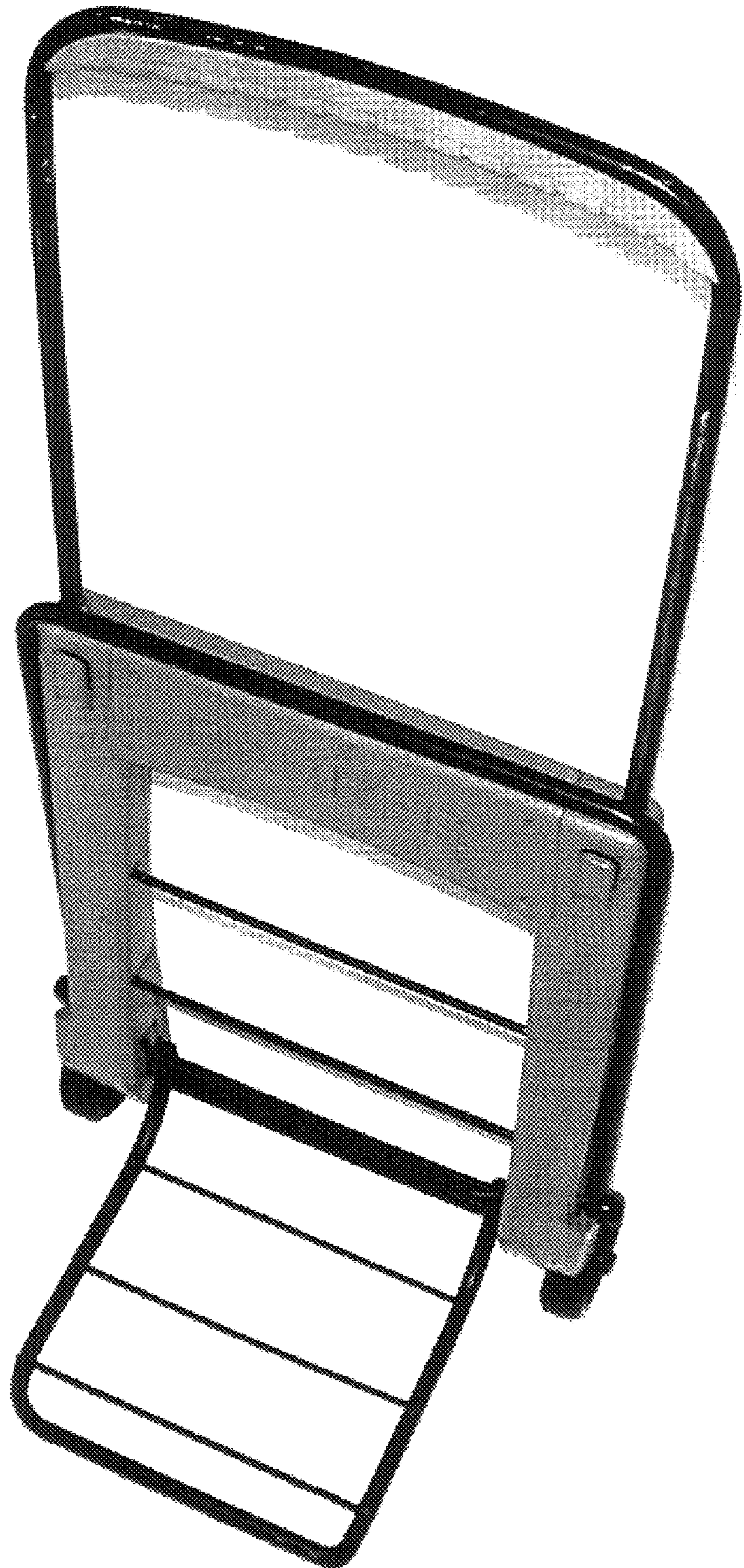


Fig. 3



Fig. 4



Fig. 5

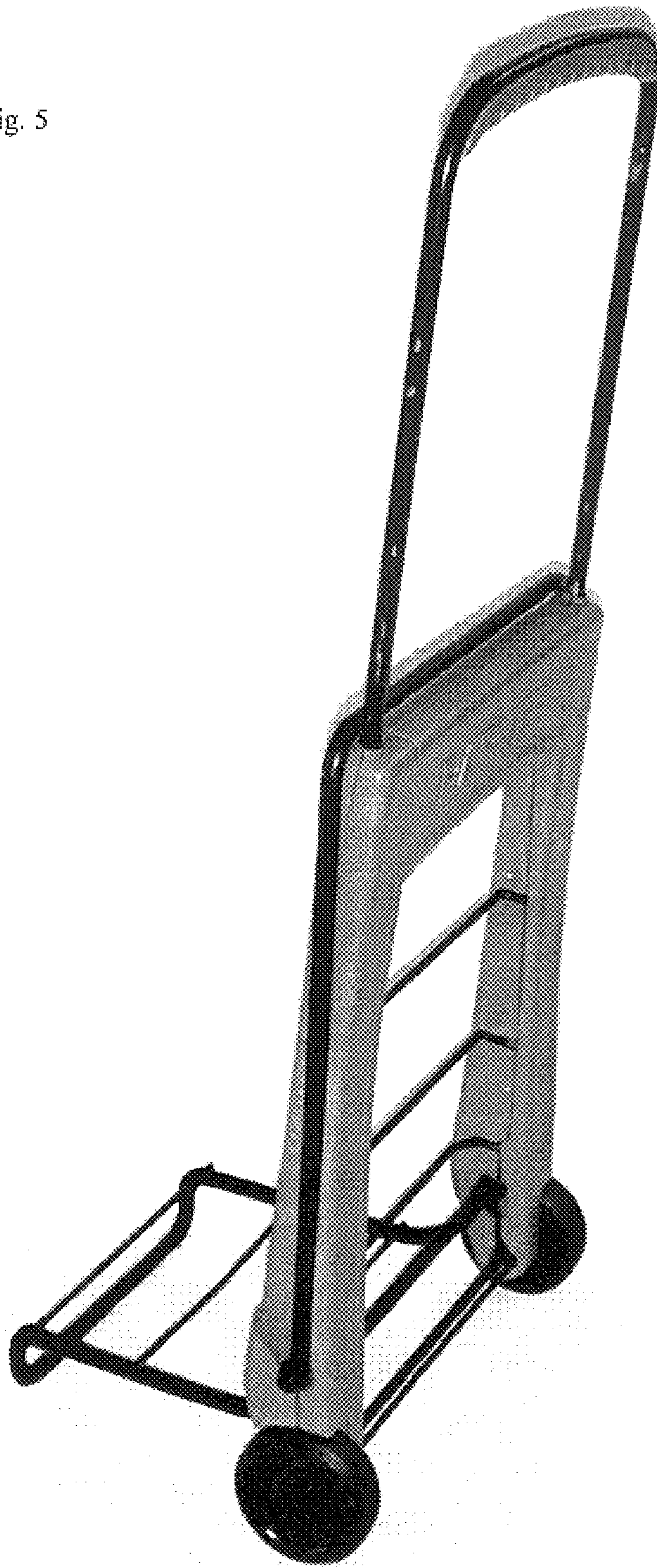


Fig. 6

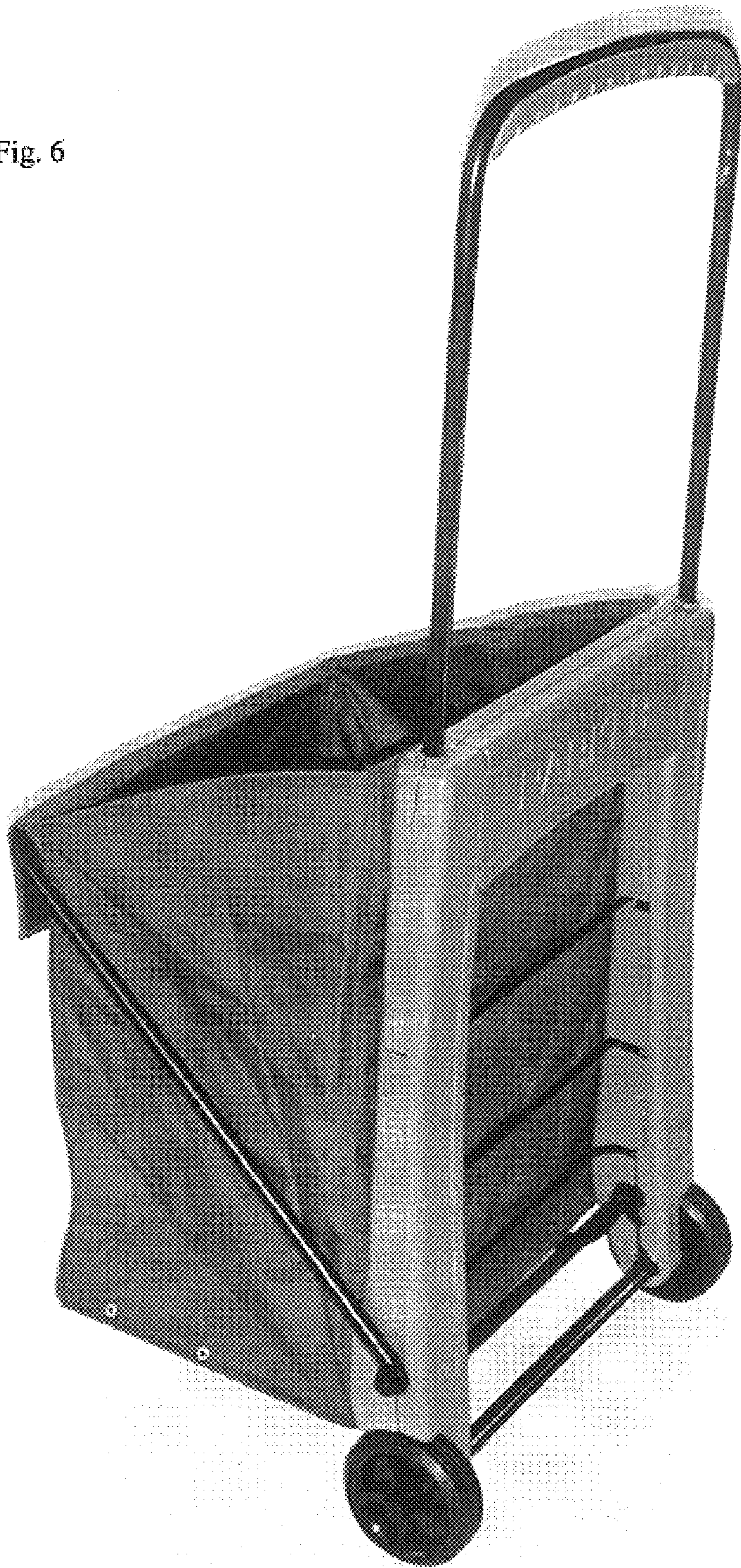


Fig. 7

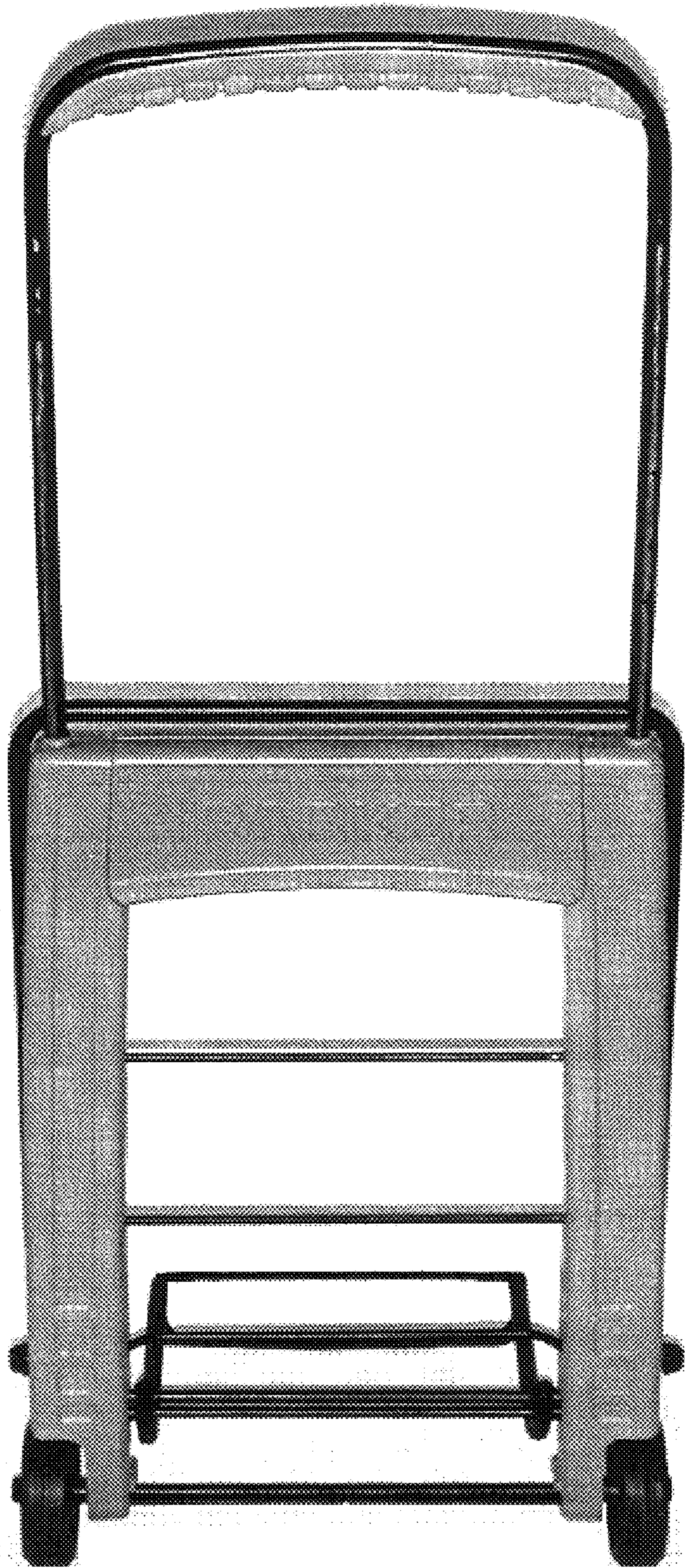


Fig. 8

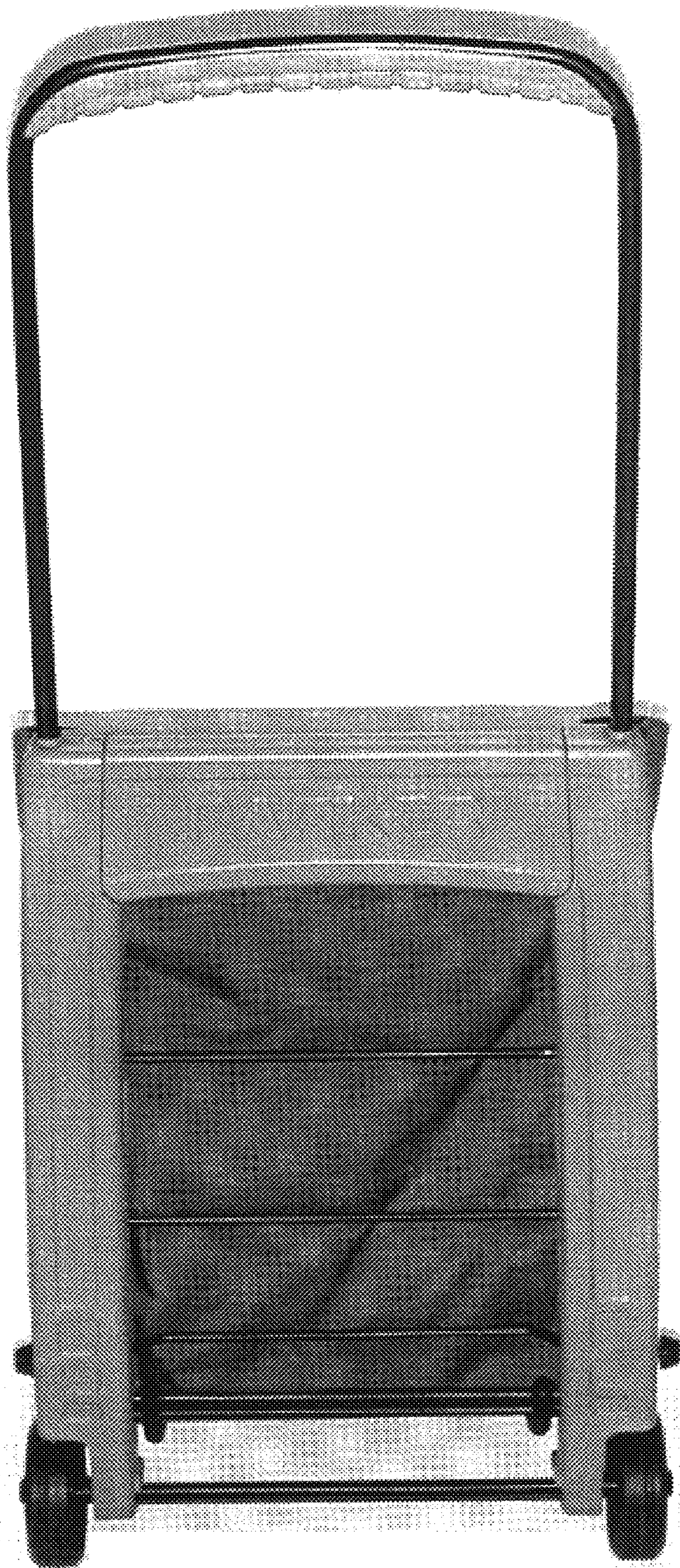


Fig. 9

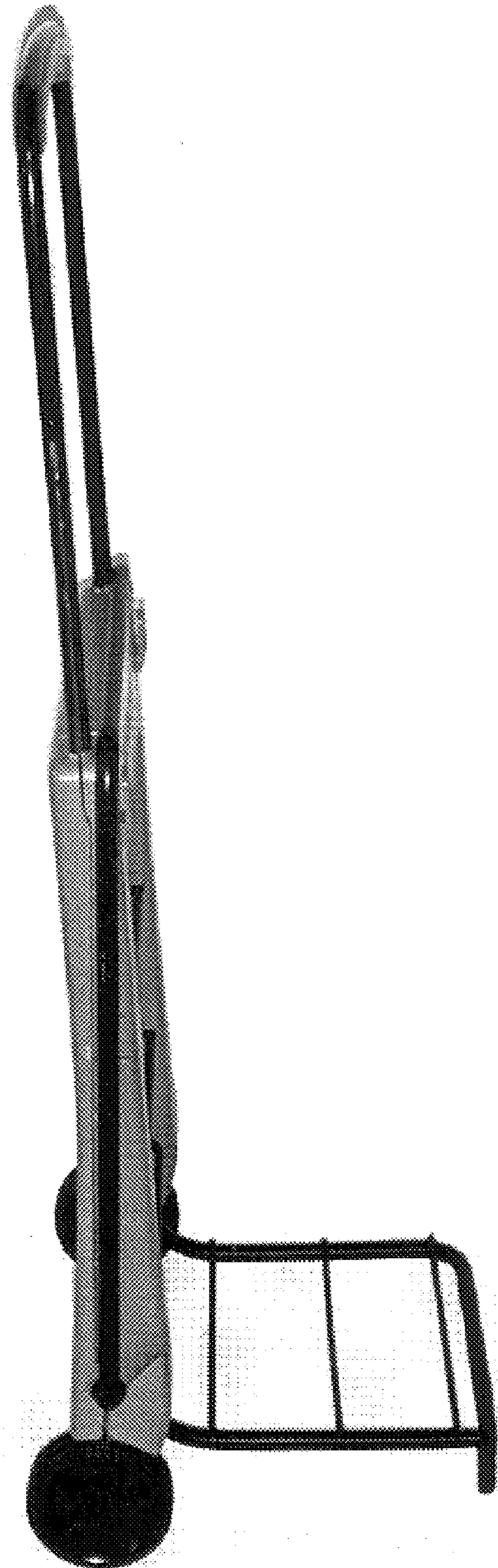


Fig. 10



Fig. 11

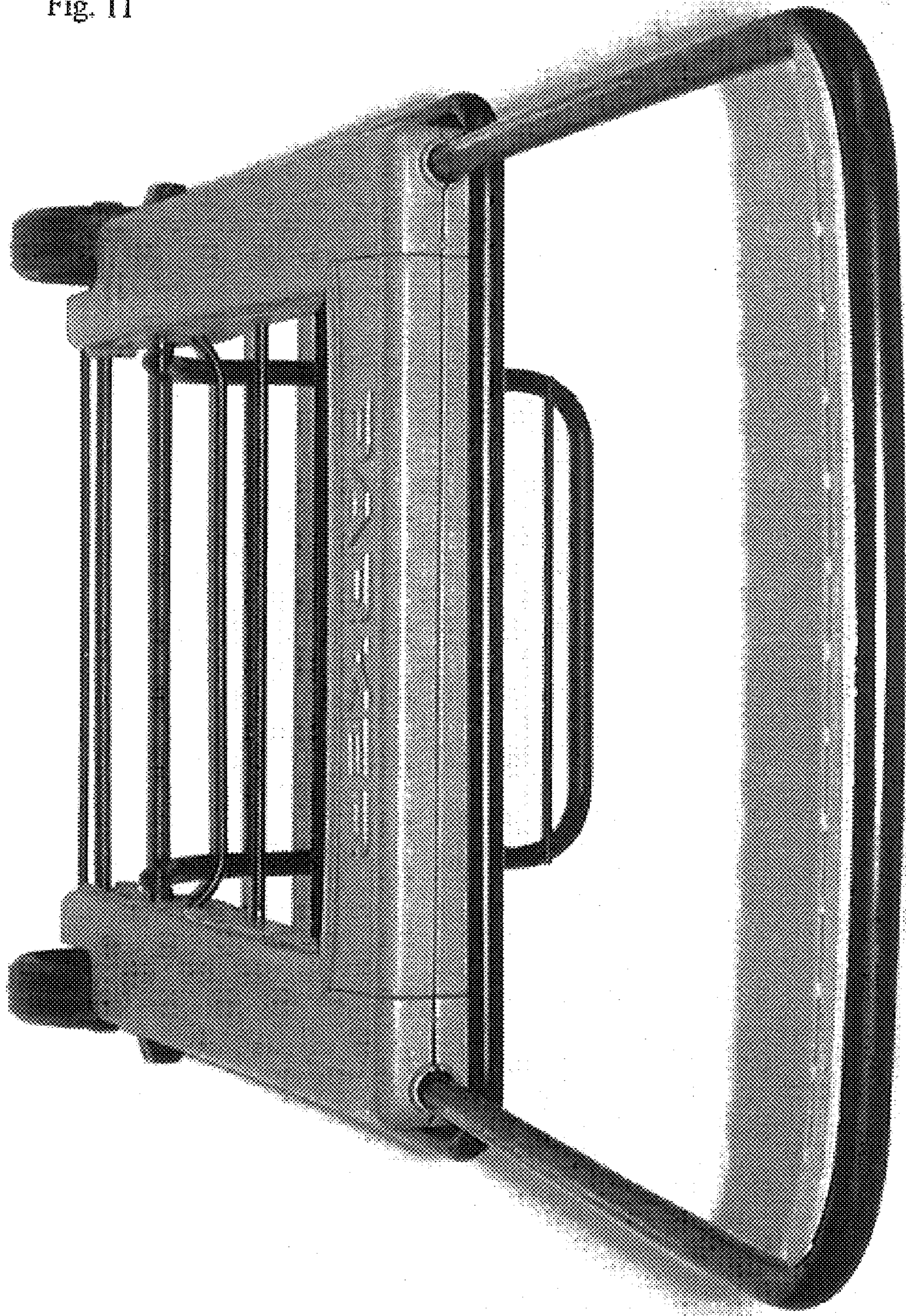


Fig. 12



Fig. 13



Fig. 14



Fig. 15

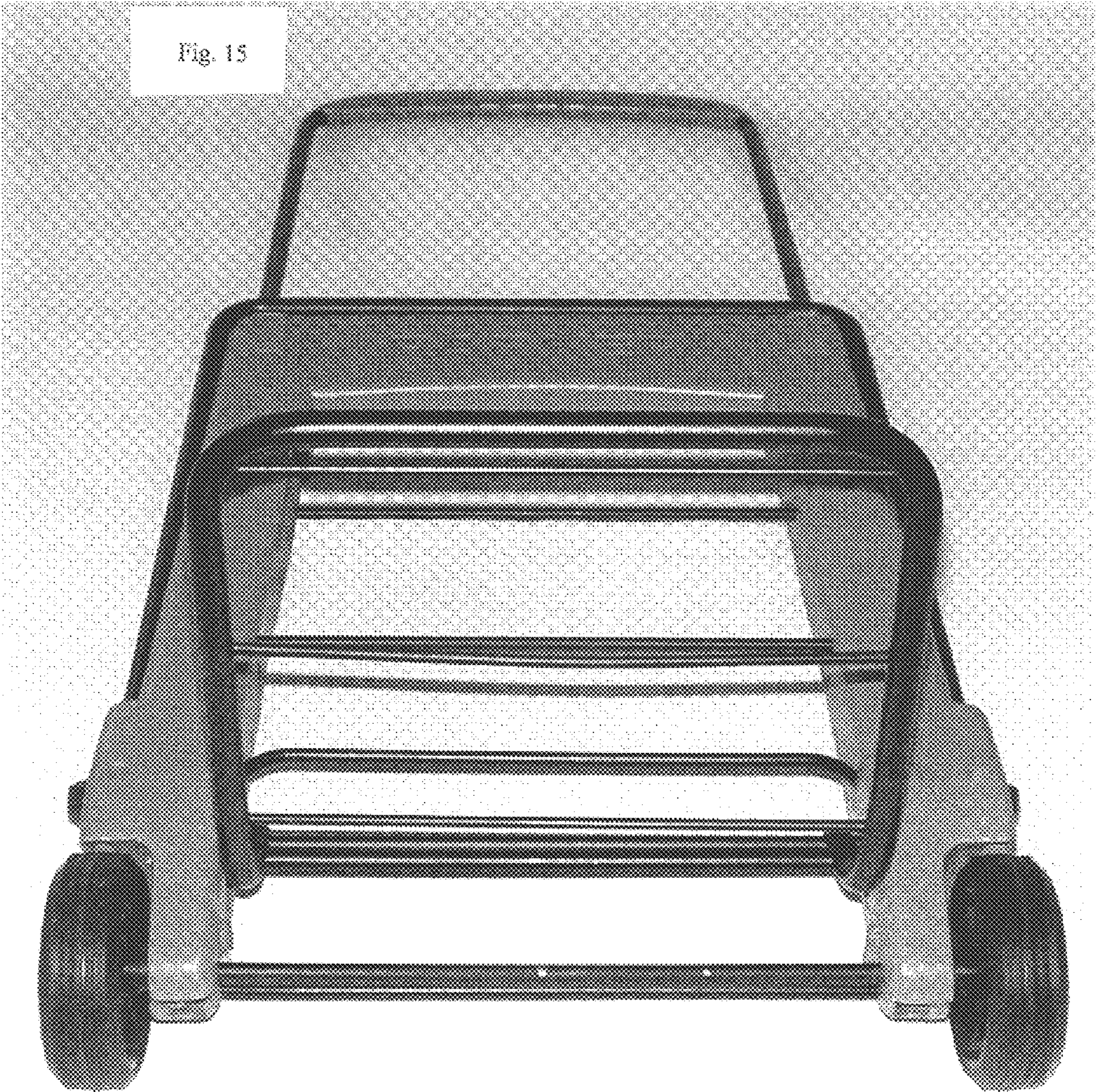


Fig. 16

