



US00D453977S

(12) **United States Design Patent**
Park et al.

(10) **Patent No.:** **US D453,977 S**

(45) **Date of Patent:** **** Feb. 26, 2002**

(54) **WAVE SHAPED PET PRODUCT**

(76) Inventors: **Tiffany Park**, 1638 Barberry La., Mt. Prospect, IL (US) 60056; **Joseph M. Kornick**, 612 W. Belden, Chicago, IL (US) 60614

(**) Term: **14 Years**

(21) Appl. No.: **29/138,437**

(22) Filed: **Mar. 13, 2001**

(51) **LOC (7) Cl.** **30-99**

(52) **U.S. Cl.** **D30/160; D1/125**

(58) **Field of Search** **D30/160; D1/100, D1/106, 118, 120, 122, 125-128, 130, 199; 119/707-711; 426/104**

(56) **References Cited**

U.S. PATENT DOCUMENTS

D29,311 S	*	9/1898	Murray	D1/125
2,038,366 A	*	4/1936	Kretchner	D1/106
D198,619 S	*	7/1964	Heintz	D1/125
3,441,001 A	*	4/1969	Fisher	119/719
D214,659 S	*	7/1969	Cooper et al.	D1/125
4,219,575 A	*	8/1980	Saunders et al.	D1/125

D308,122 S	*	5/1990	Markham et al.	D30/160
D311,628 S	*	10/1990	Scali et al.	D1/126
D311,630 S	*	10/1990	Scali et al.	D1/126
D349,786 S	*	8/1994	Markham	D30/160
D353,235 S	*	12/1994	D'Angelico	D30/160
D388,585 S	*	1/1998	Hillman	D1/125
D416,662 S	*	11/1999	Doyle et al.	D1/199

* cited by examiner

Primary Examiner—Cathy Anne MacCormac
(74) *Attorney, Agent, or Firm*—Lee, Mann, Smith, McWilliams, Sweeney & Ohlson

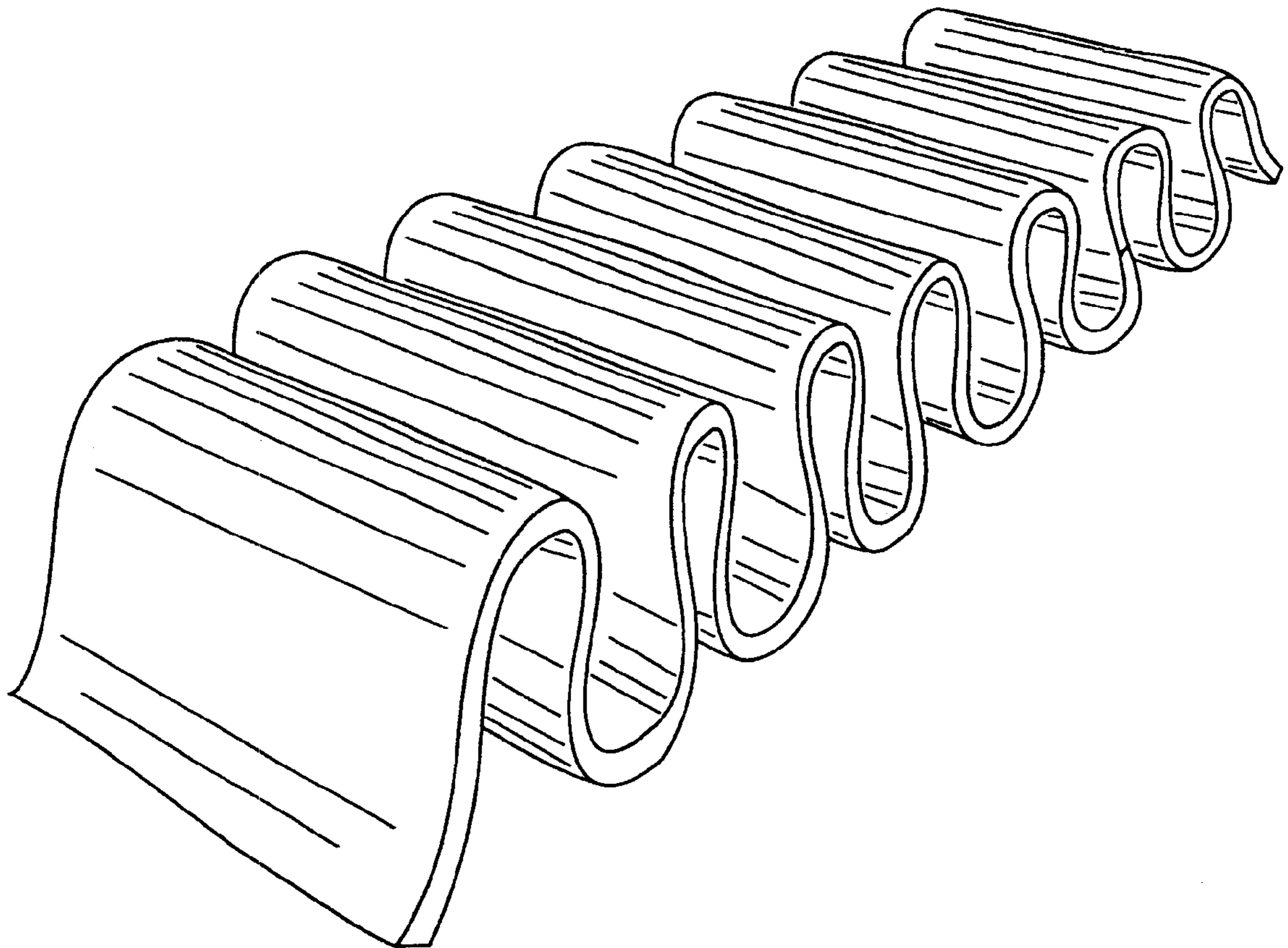
(57) **CLAIM**

The ornamental design for a wave shaped pet product, as shown and described.

DESCRIPTION

FIG. 1 is a bottom plan view of the invention;
FIG. 2 is a right side elevational view of the invention;
FIG. 3 is a perspective view of the invention;
FIG. 4 is a rear elevational view of the invention;
FIG. 5 is a left side elevational view of the invention;
FIG. 6 is a top plan view of the invention; and,
FIG. 7 is a front elevational view of the invention.

1 Claim, 2 Drawing Sheets



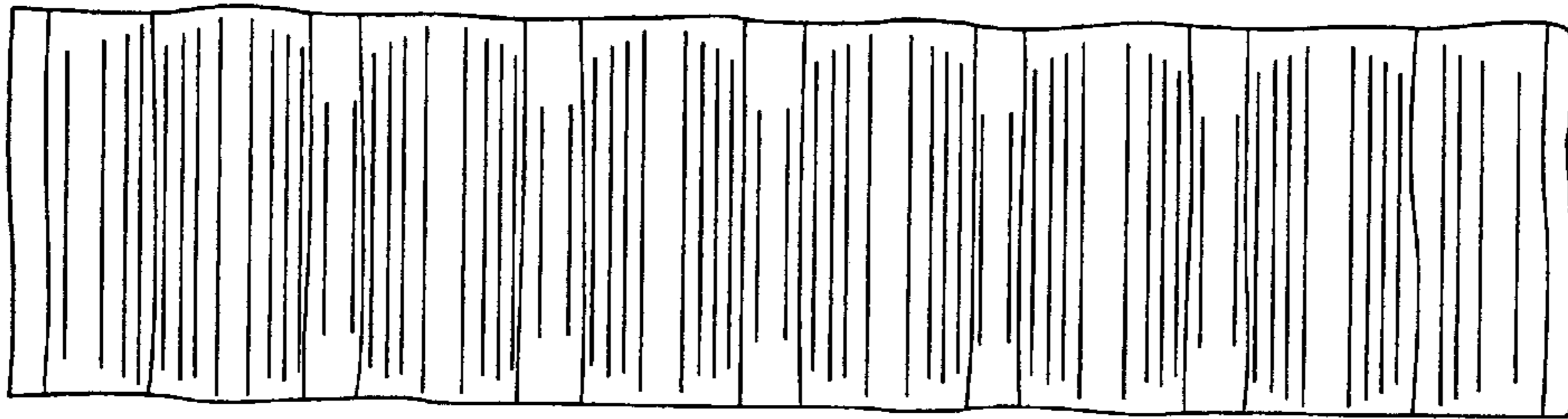


FIG. 1

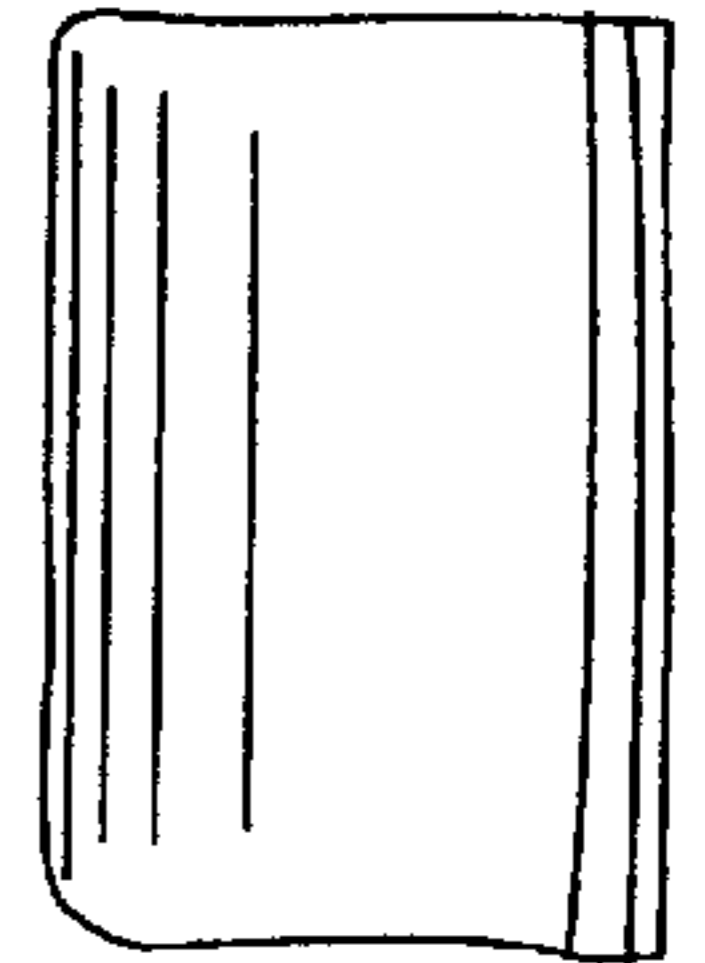


FIG. 2

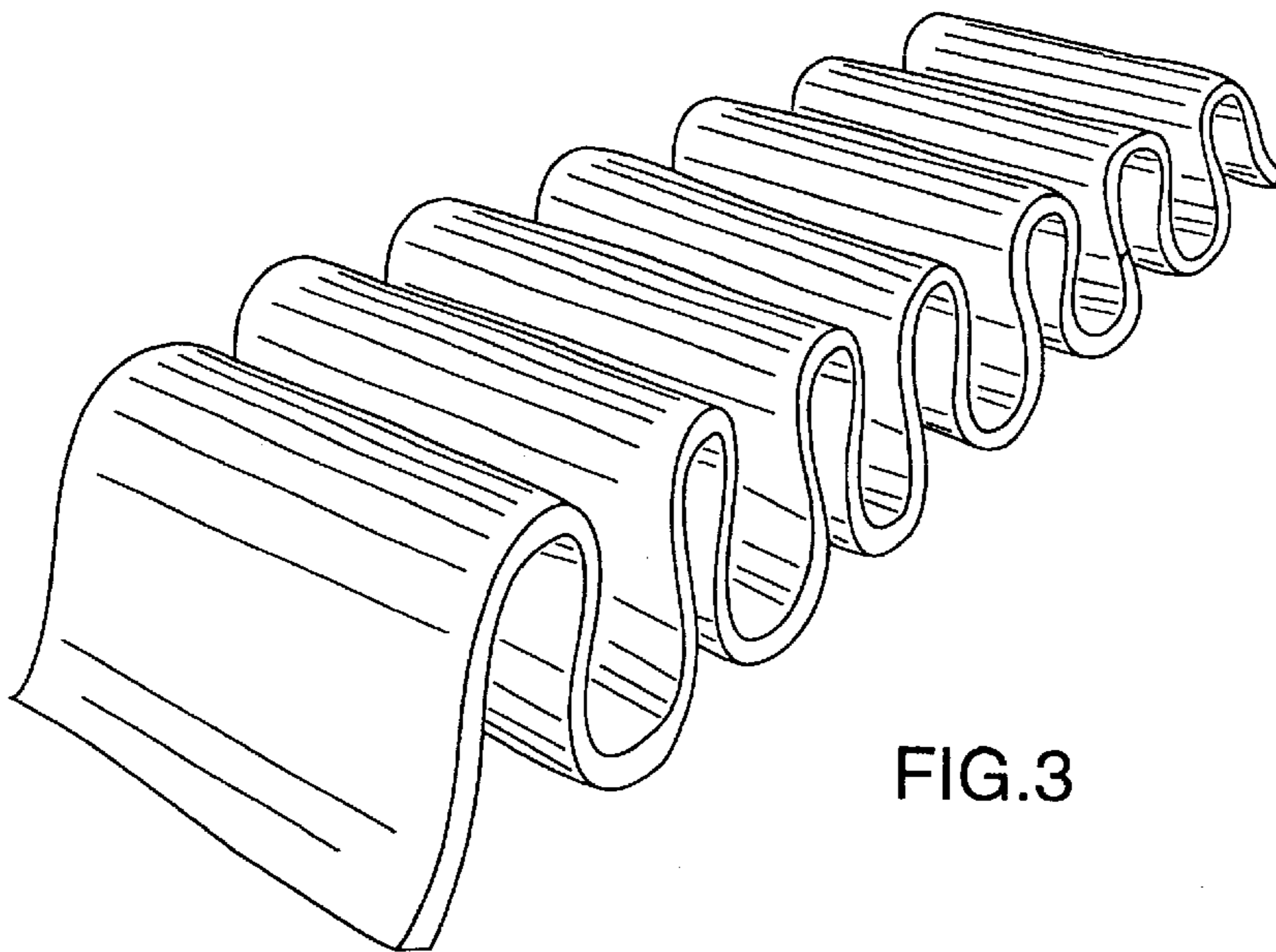


FIG. 3

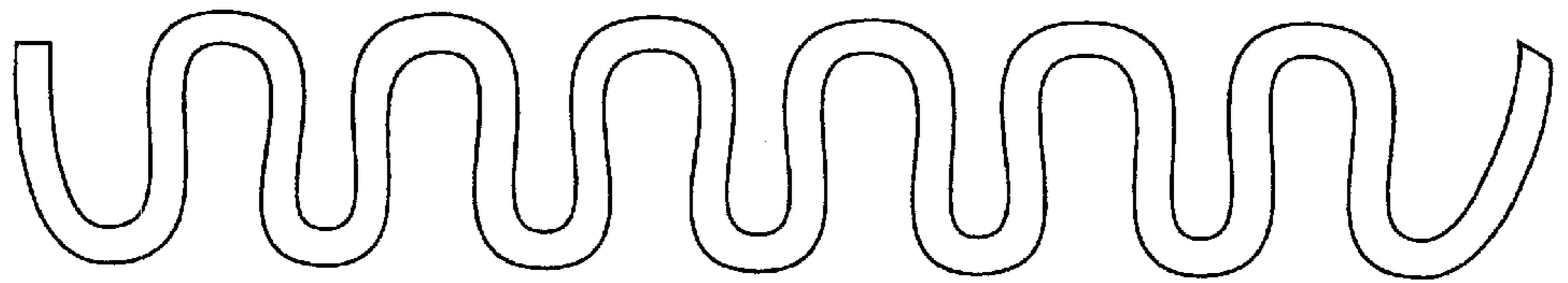


FIG. 4

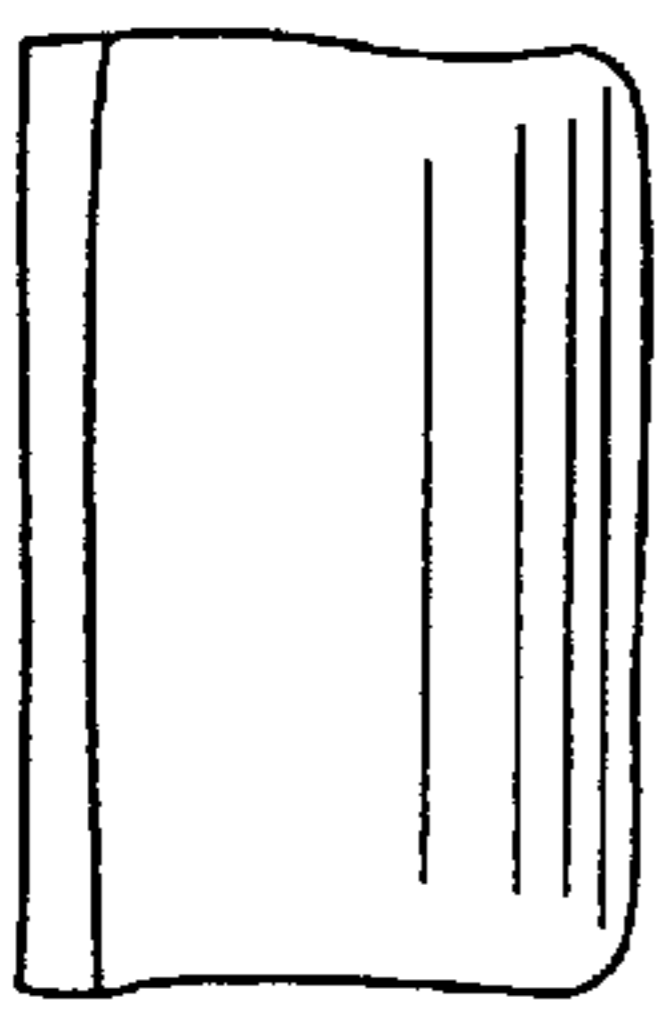


FIG. 5

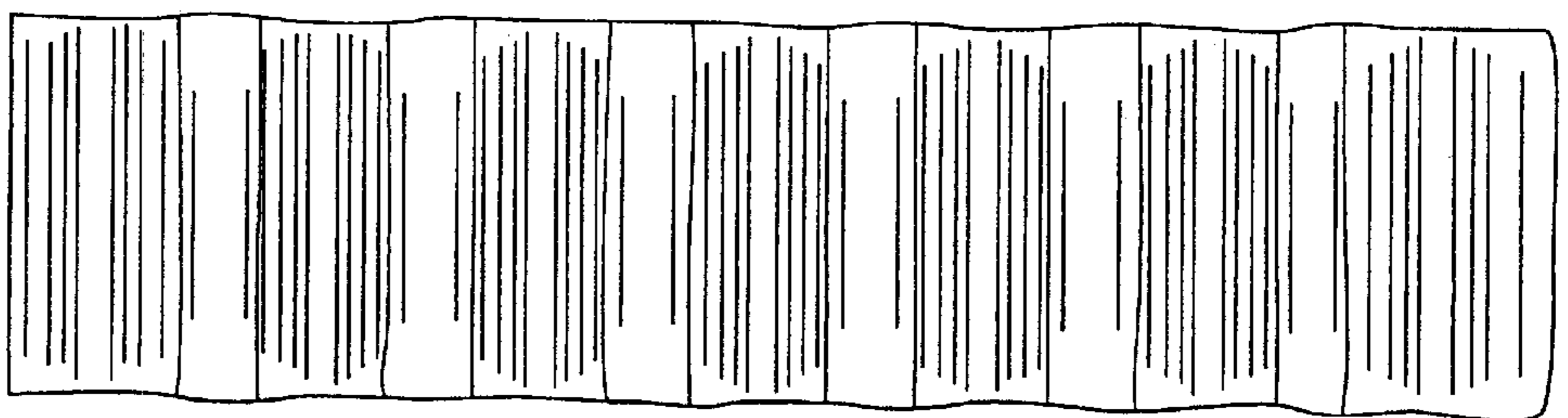


FIG. 6

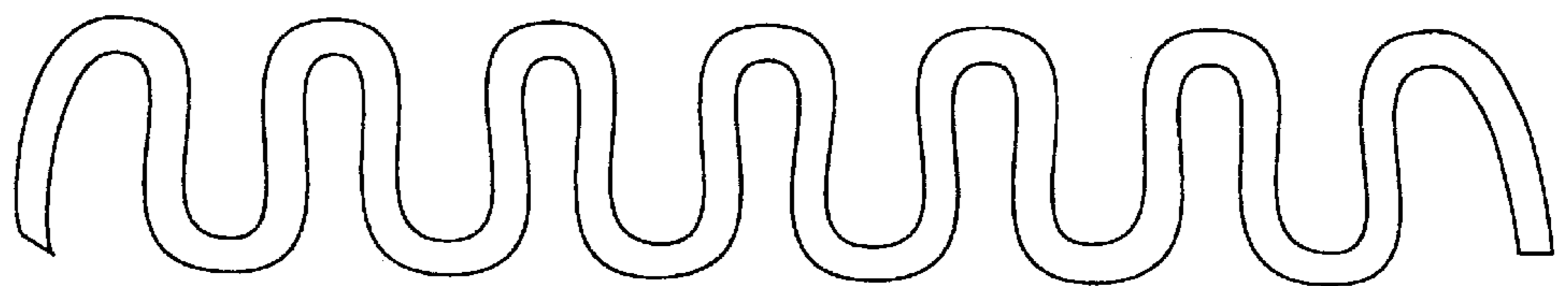


FIG. 7